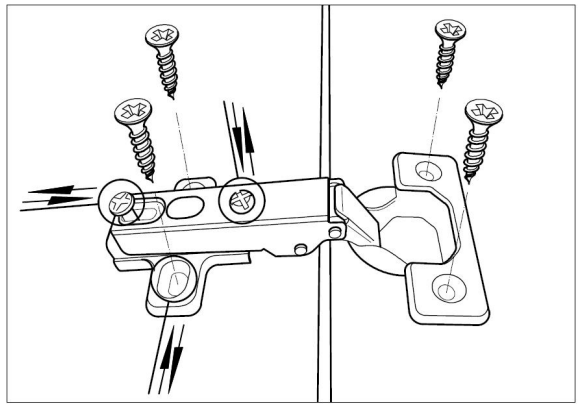
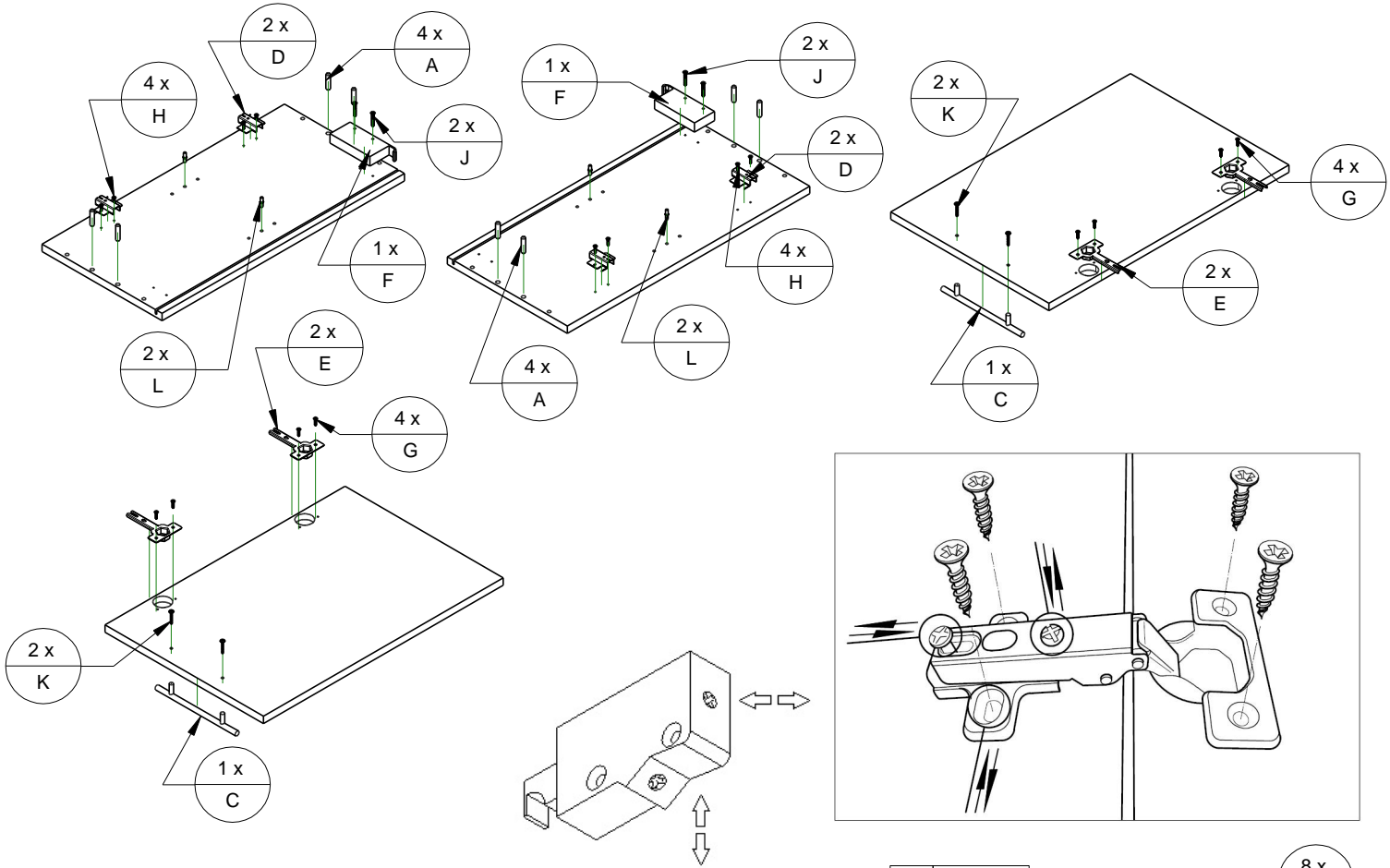
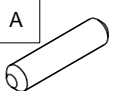
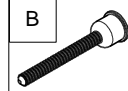
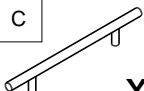


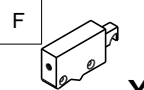

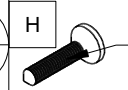
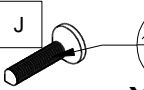
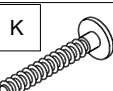
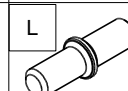
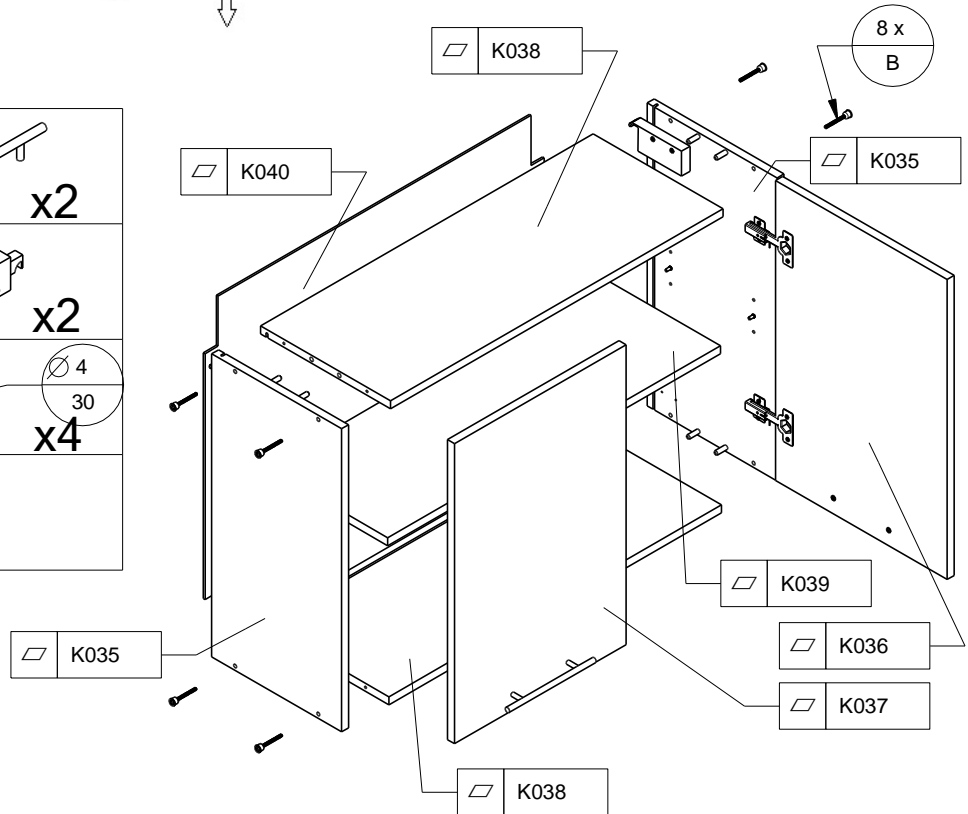


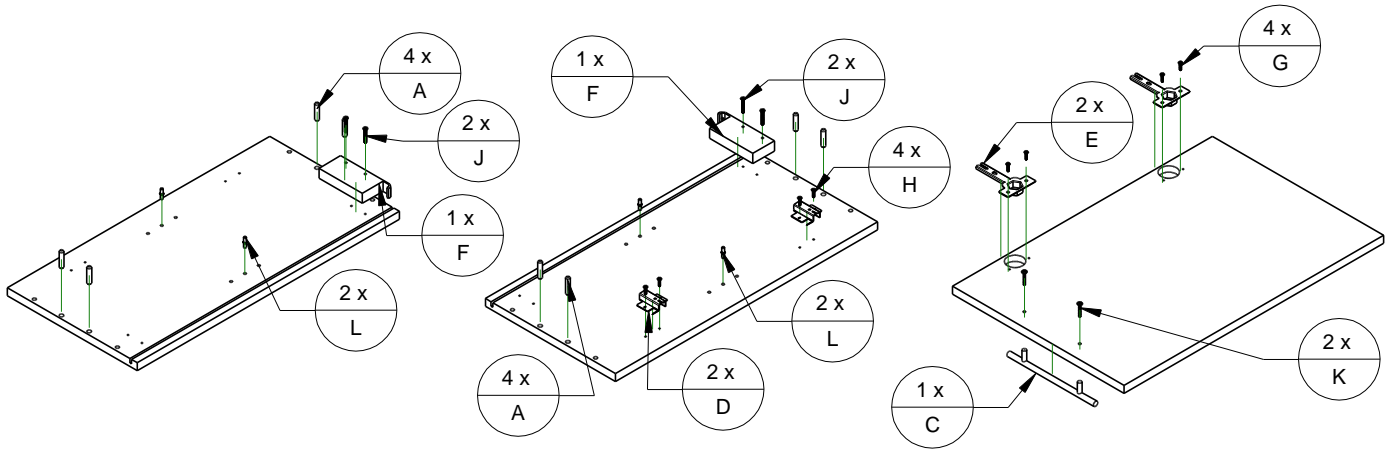
G80

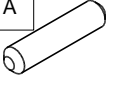
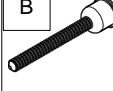
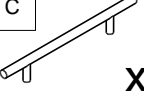
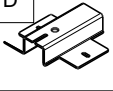
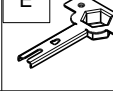
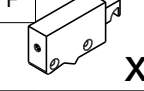

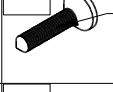
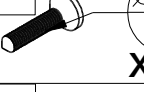




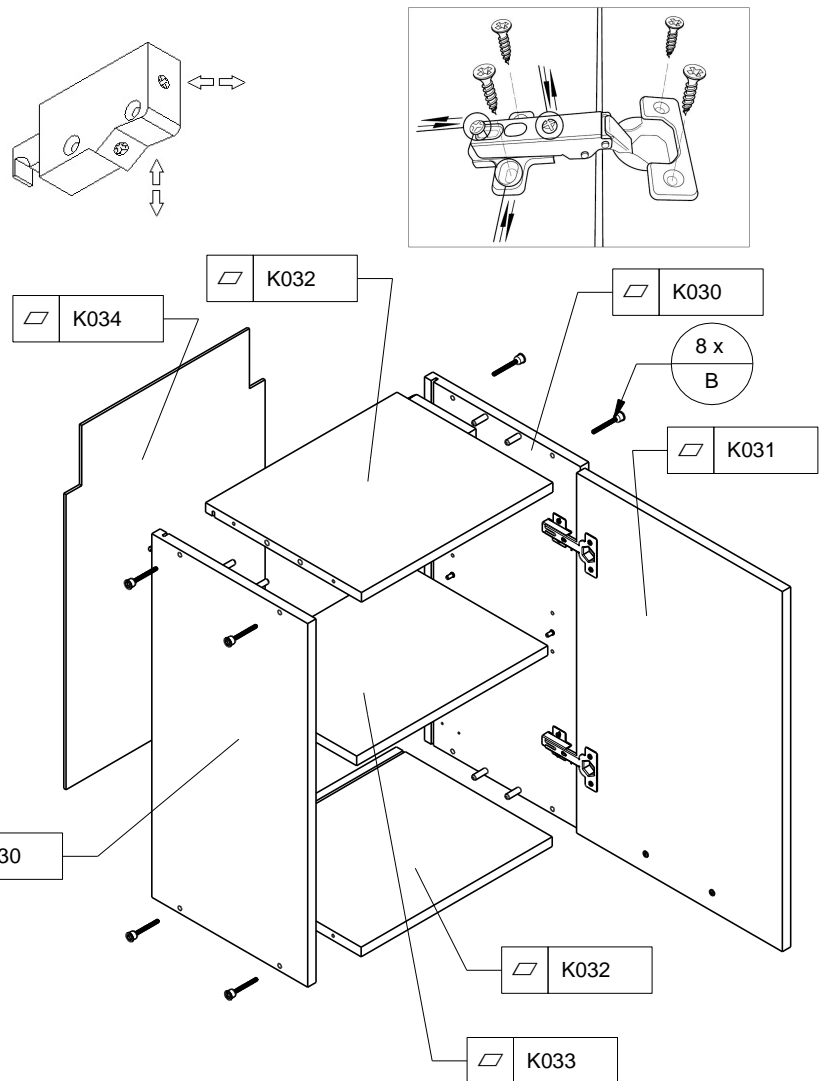
A	B	C
 x8	 x8	 x2
D	E	F
 x4	 x4	 x2
G	H	J
 x8	 x8	 x4
K	L	M
 x4	 x4	



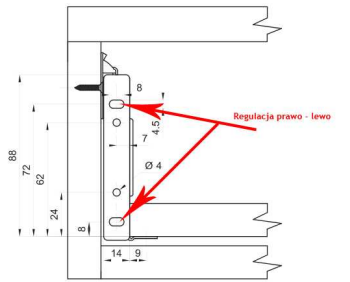
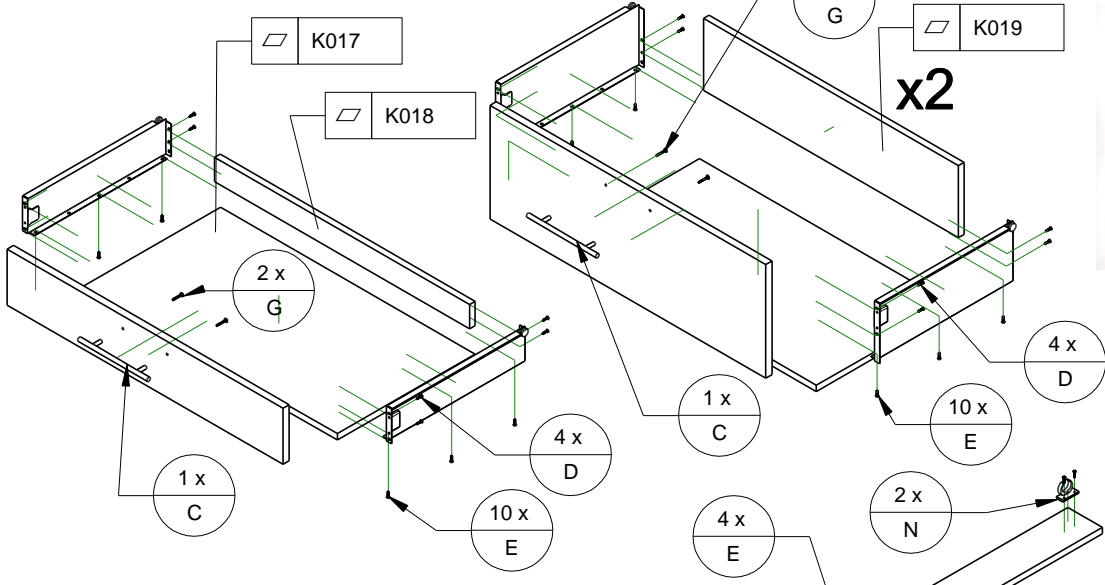
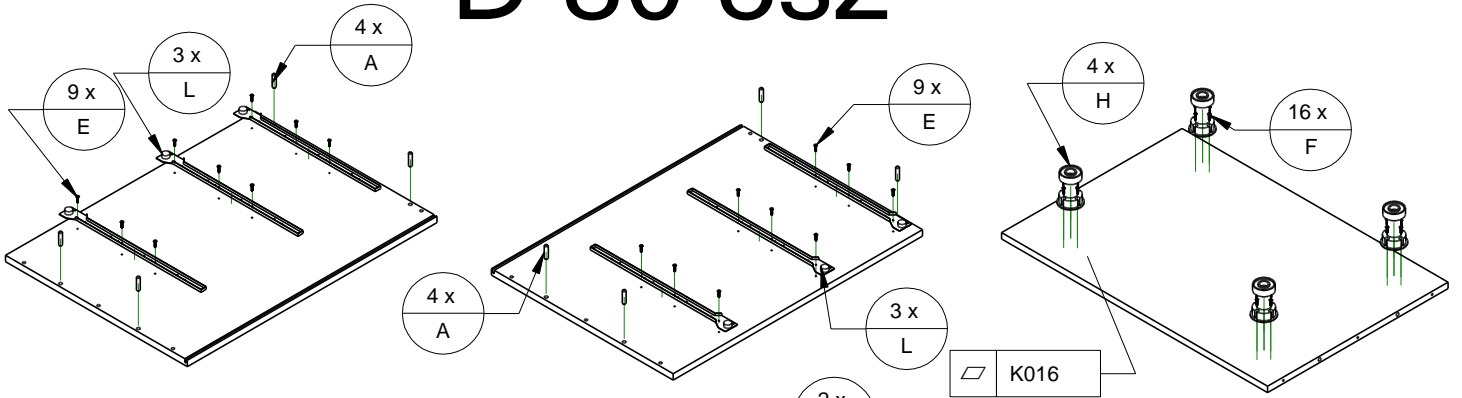
G30/40/60 1F



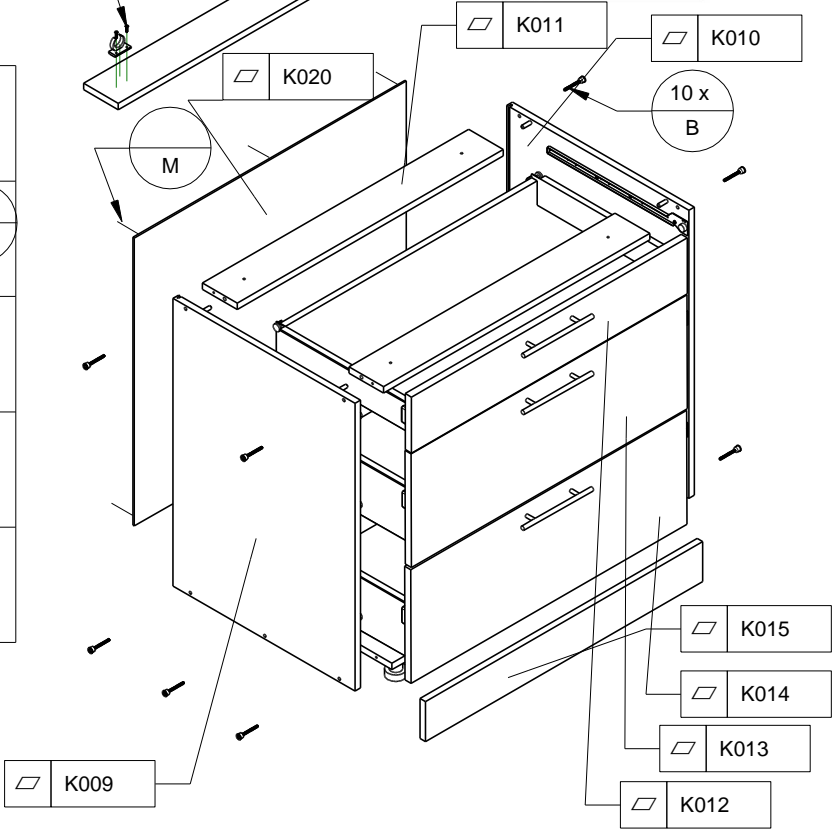
A		x8	B		x8	C		x1			
D		x2	E		x2	F		x2			
G		$\varnothing 3,5$ 16	x4	H		$\varnothing 4$ 16	x4	J		$\varnothing 4$ 30	x4
K		x2	L		x4	M					



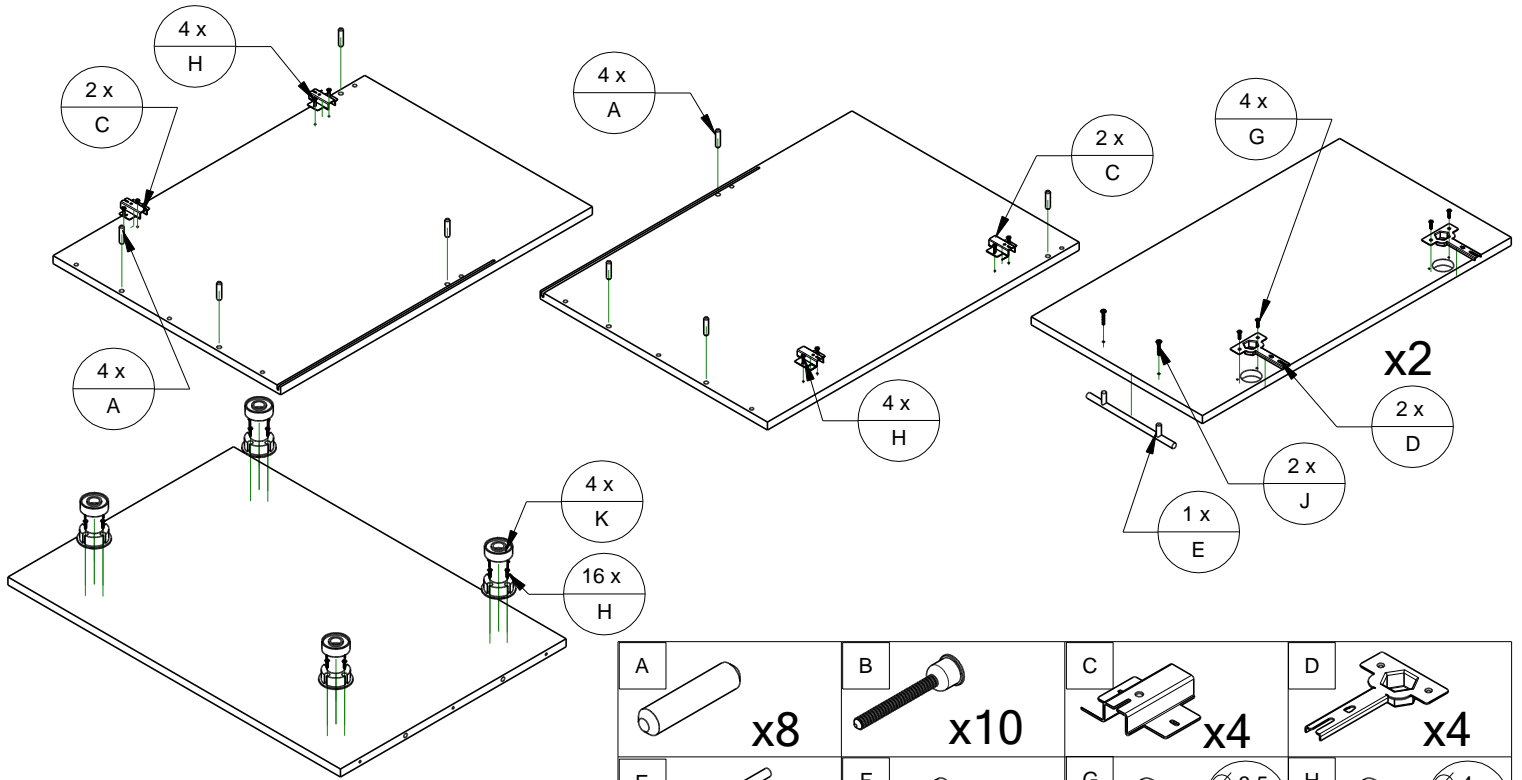
D 80 3sz

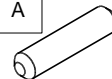
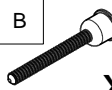
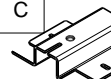
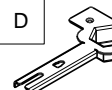

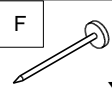
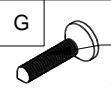
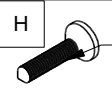
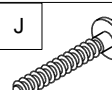
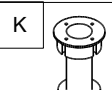
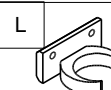


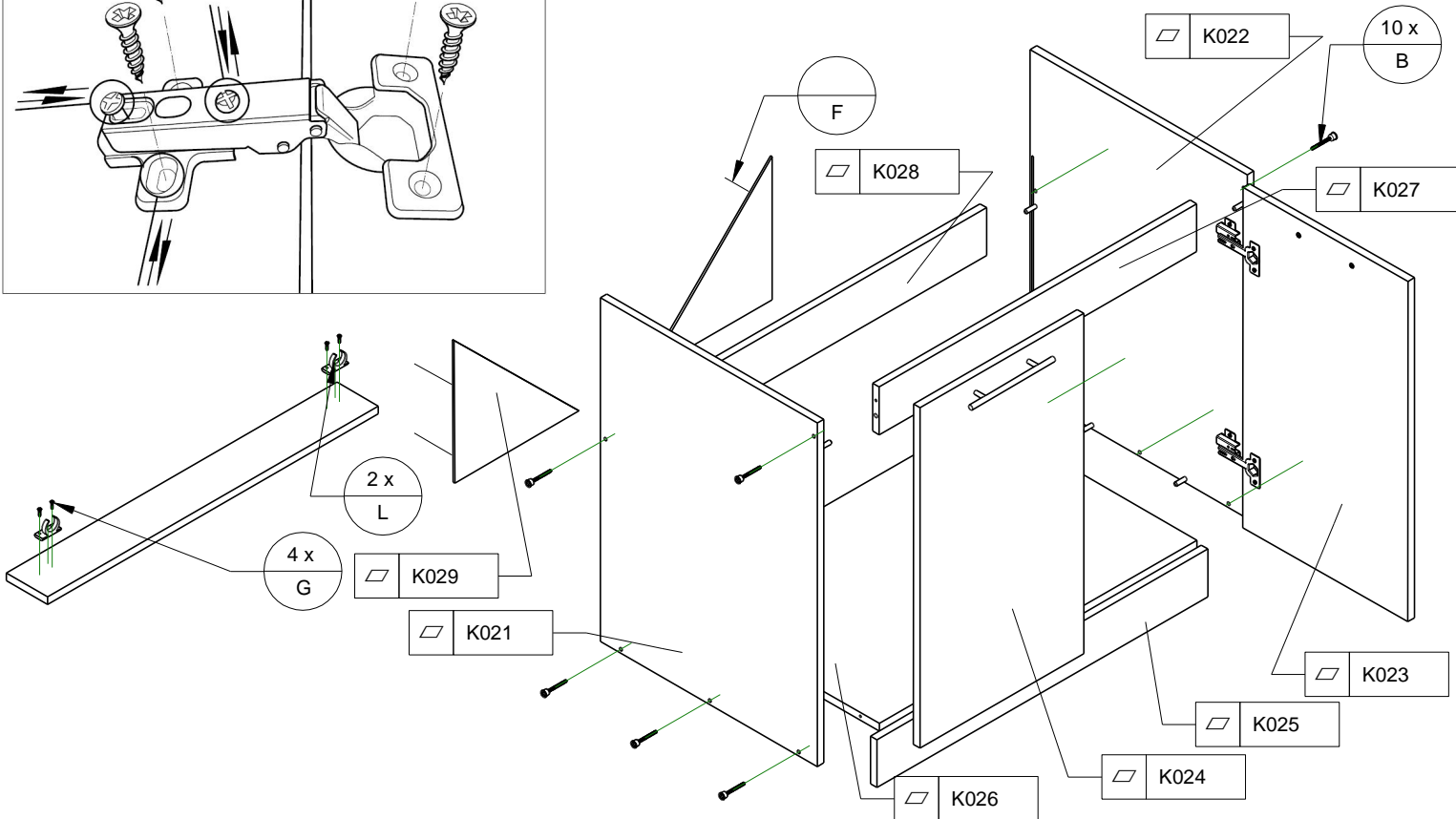
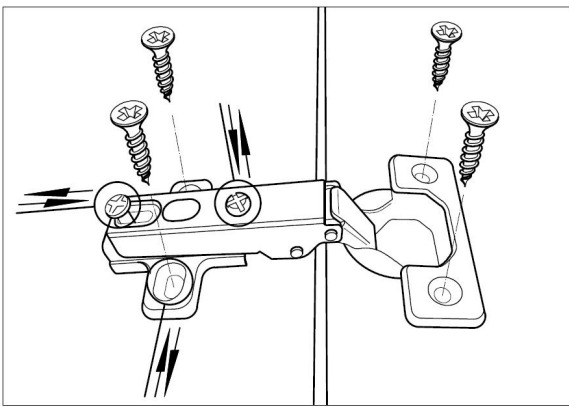
A	B	C
x8	x10	x3
D	E	F
∅3 13	∅3,5 16	∅4 16
x12	x52	x16
G	H	J
x6	x4	x2
K	L	M
x4	x6	x20
N	P	R
x2		



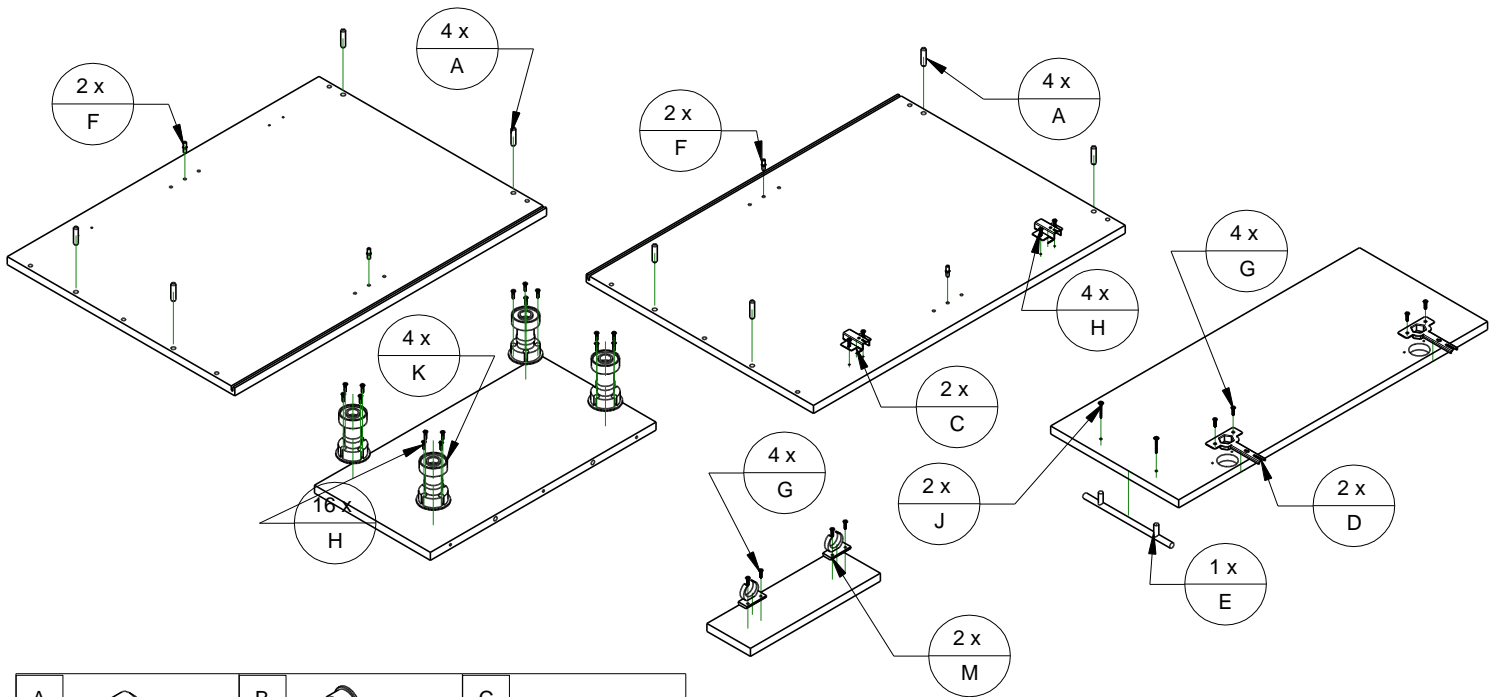
D 80zi






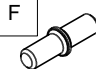
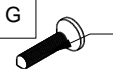




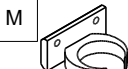


A	B	C	D
 x8	 x10	 x4	 x4
E	F	G	H
 x2	 x10	 $\varnothing 3,5$ 16 x12	 $\varnothing 4$ 16 x8
J	K	L	M
 x4	 x4	 x2	



D 30/40/60 1F



A	B	C
 x8	 x10	 x2
D	E	F
 x2	 x1	 x4
G	H	J
 x8	 x20	 x2
K	L	M
 x4	 x20	 x2

