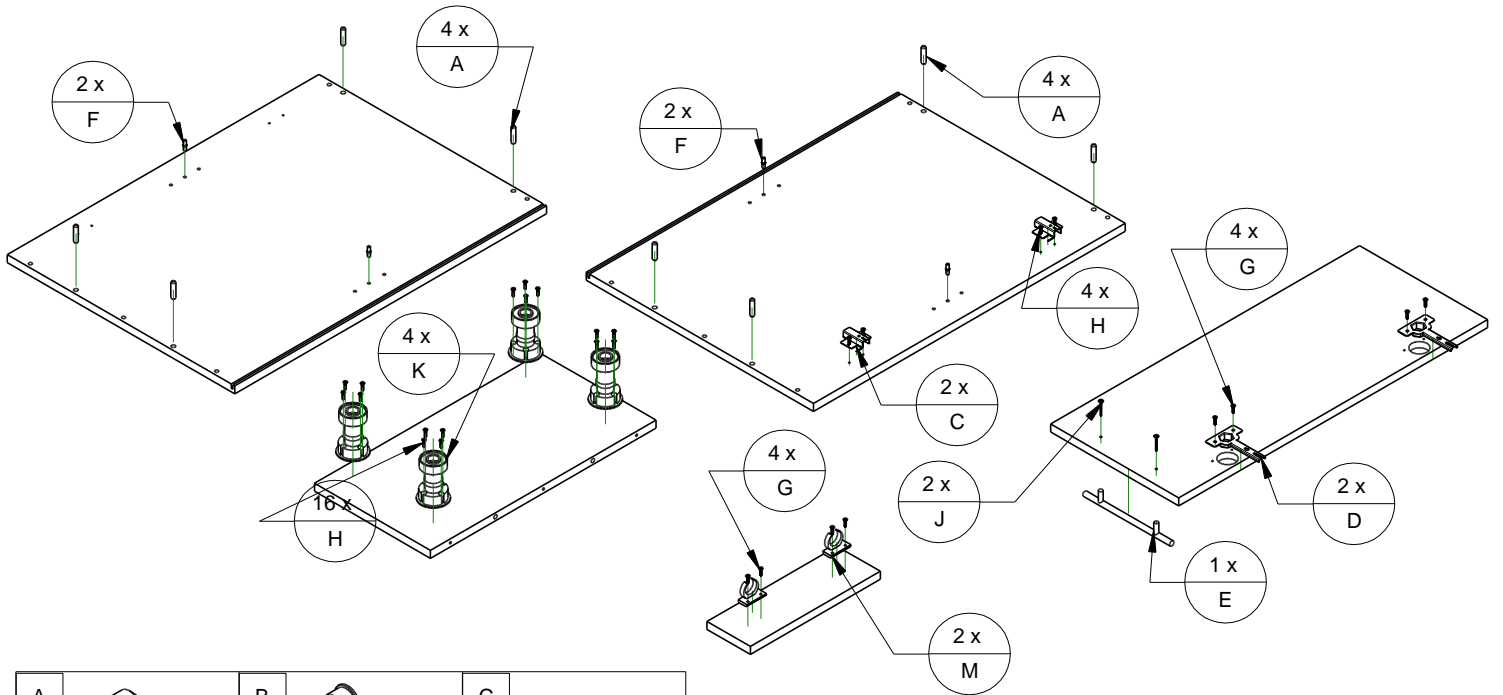




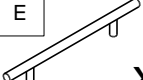
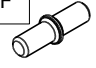

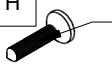
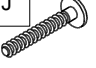
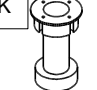
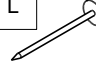
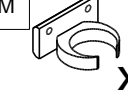
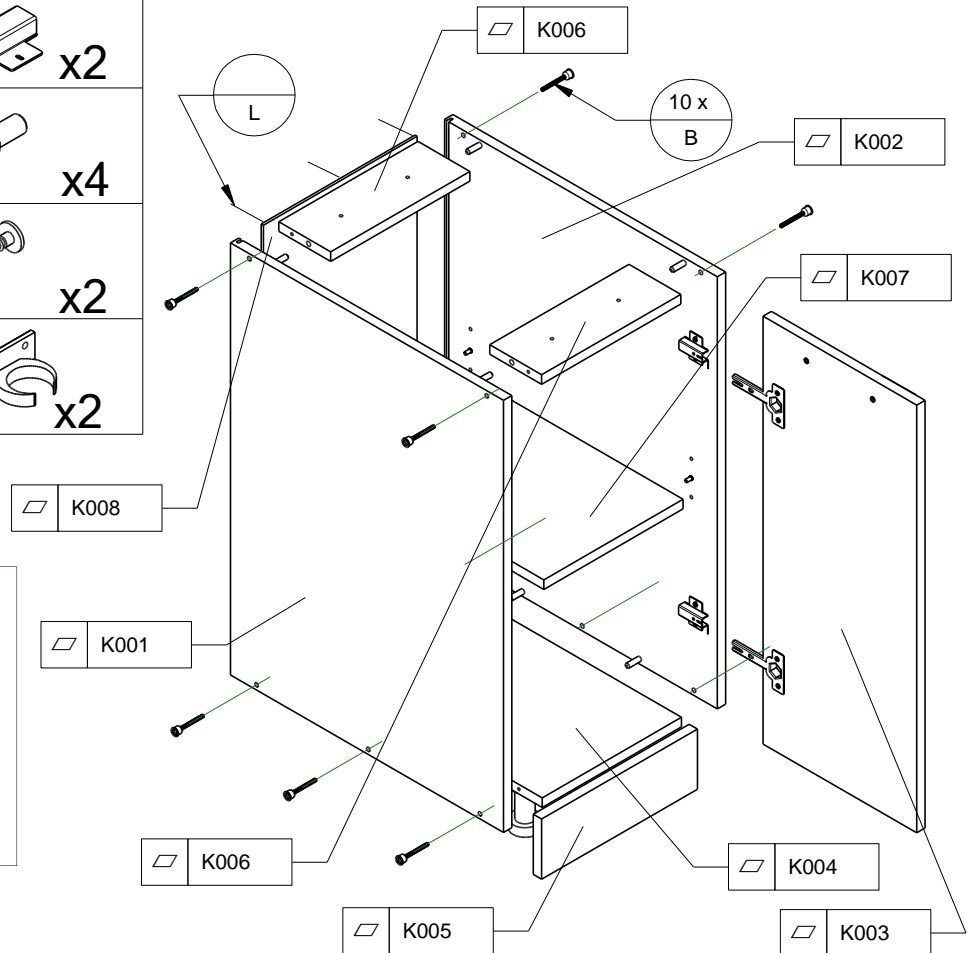
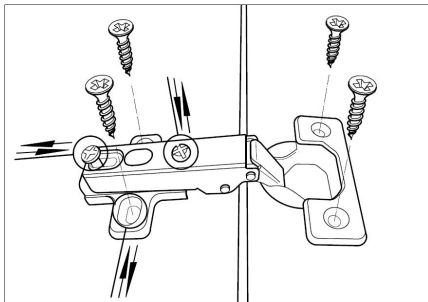


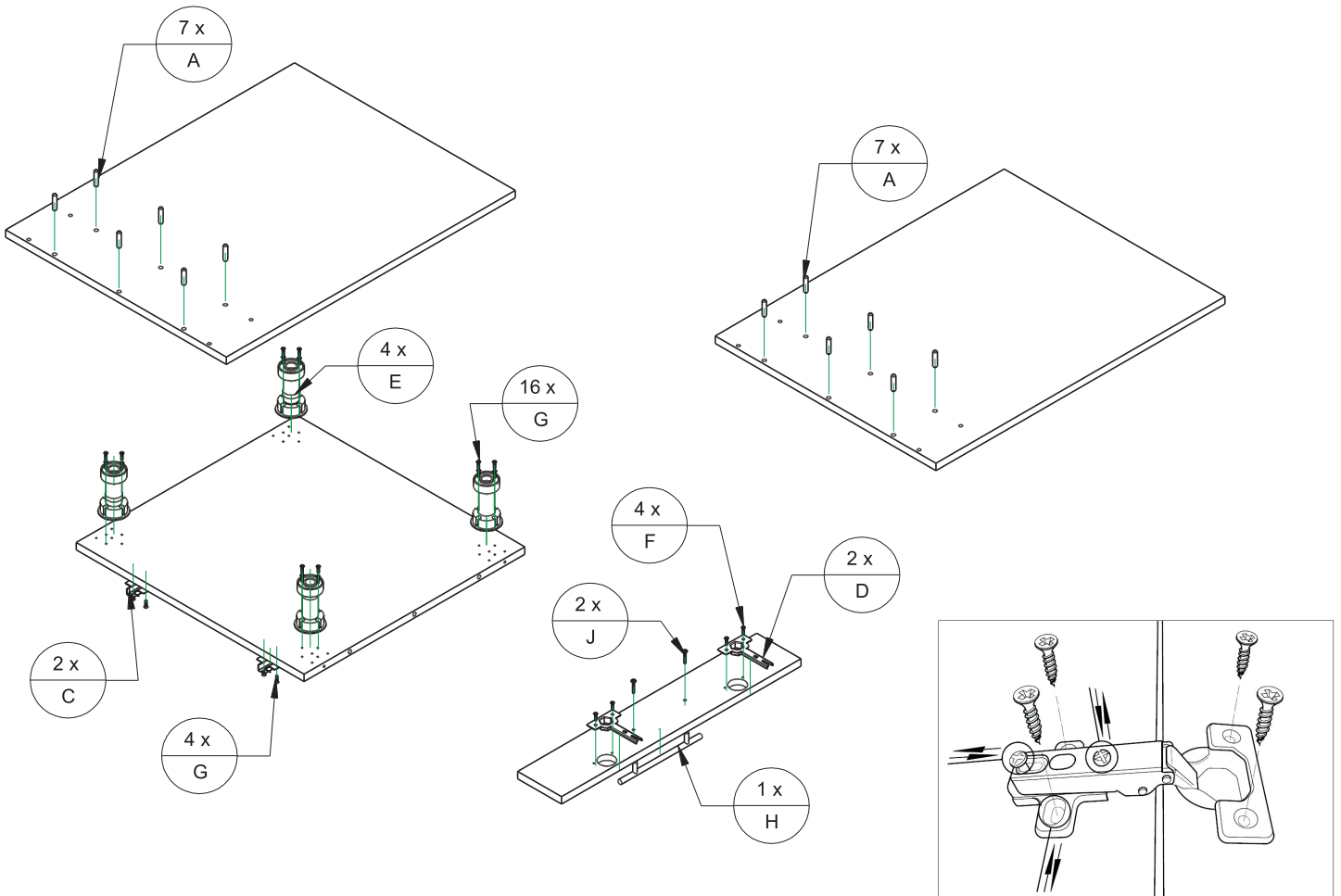
D 30/40/60 1F

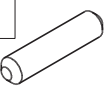


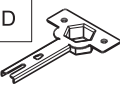

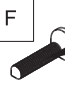


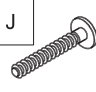


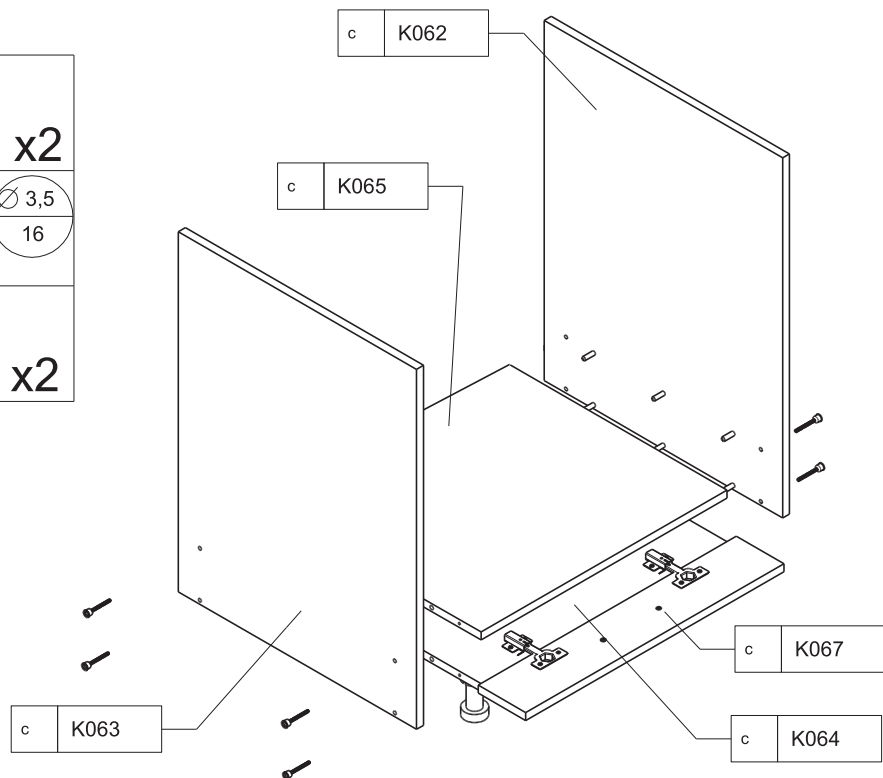
A	 x8	B	 x10	C	 x2
D	 x2	E	 x1	F	 x4
G	 $\varnothing 3,5$ 16 x8	H	 $\varnothing 4$ 16 x20	J	 x2
K	 x4	L	 x20	M	 x2



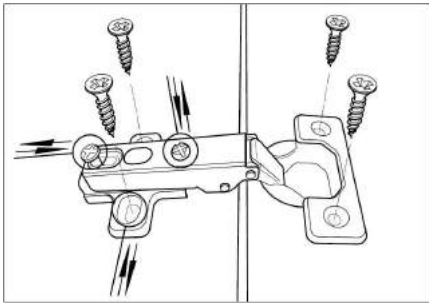
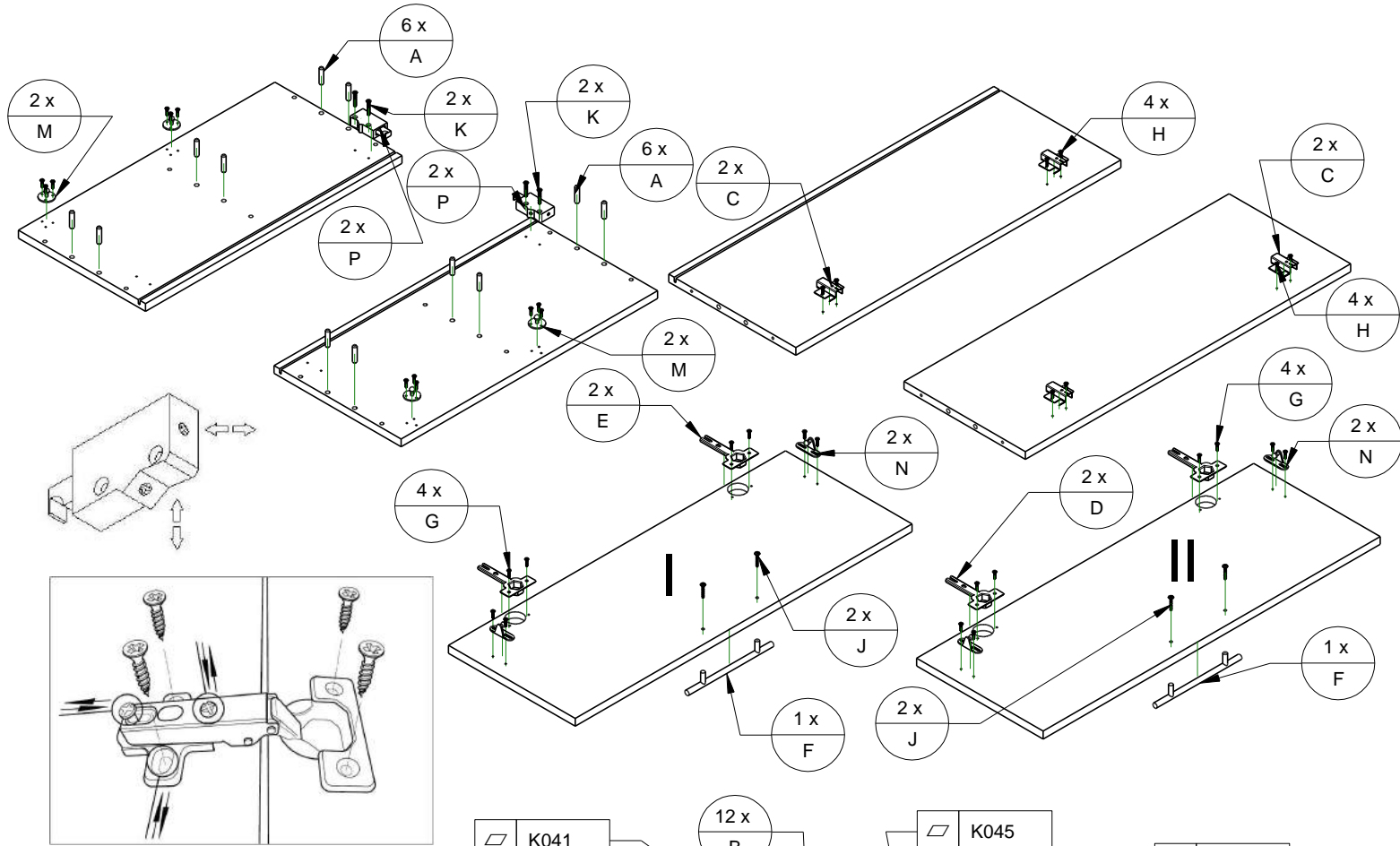
D 60 ku

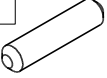

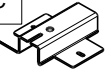



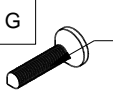
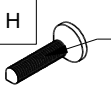
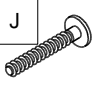

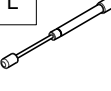
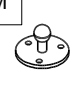

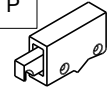


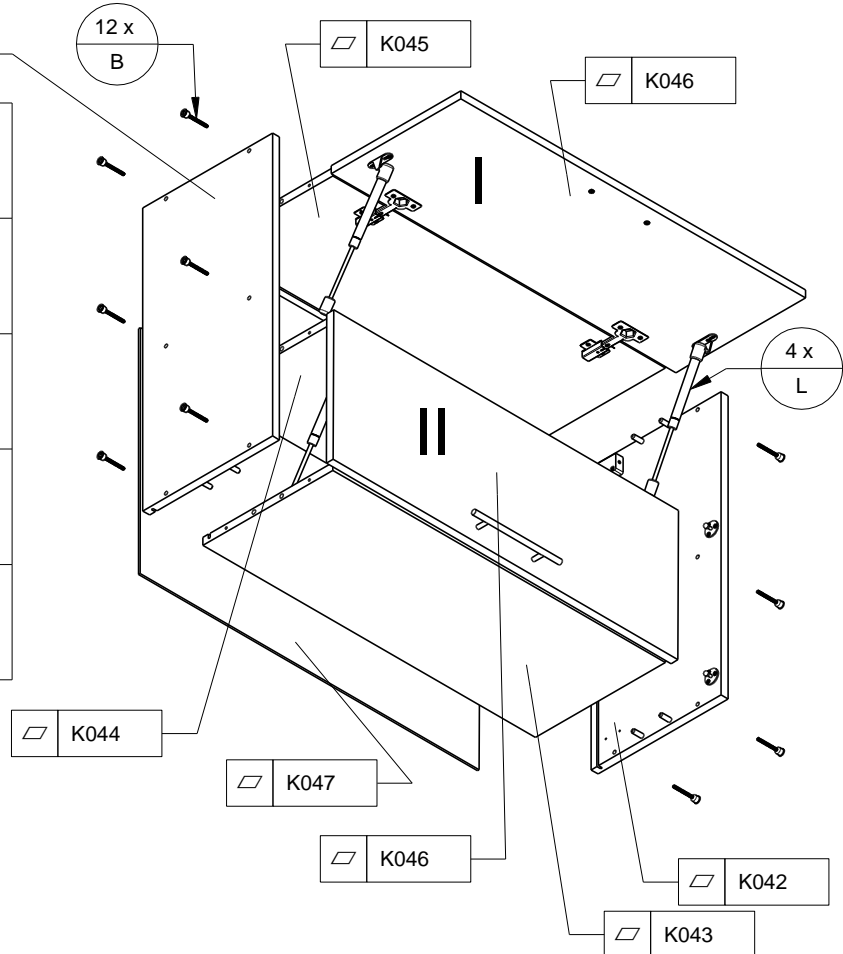
A		B		C	
	x14		x10		x2
D		E		F	
	x2		x4		∅ 3,5 16 x4
G		H		J	
	∅ 4 16 x20		x1		x2



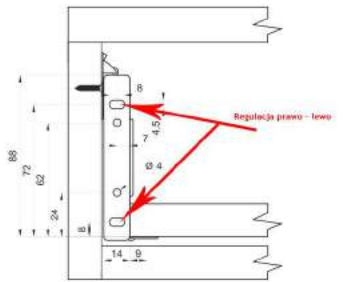
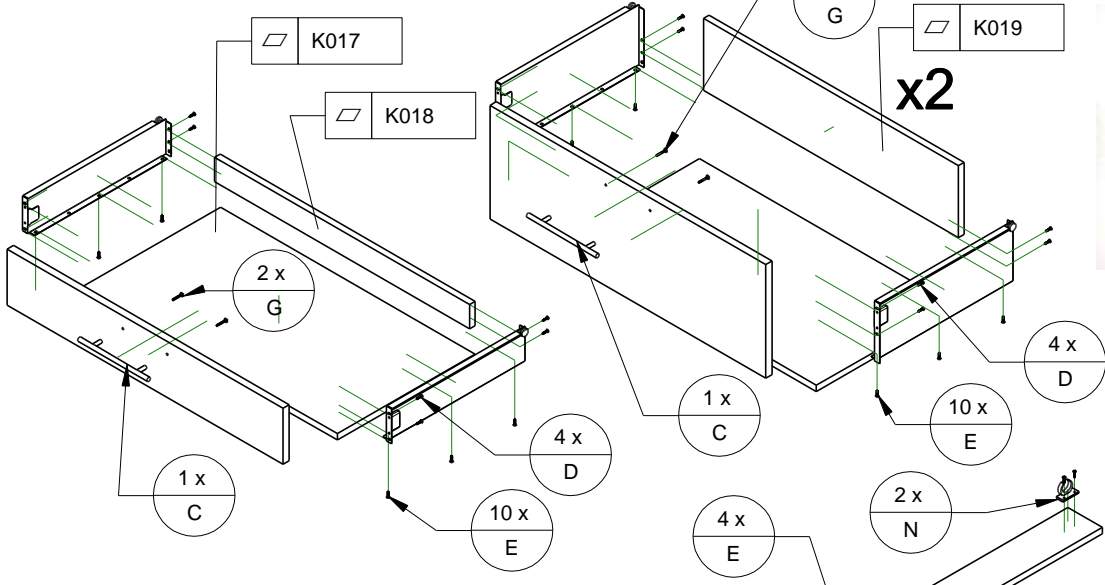
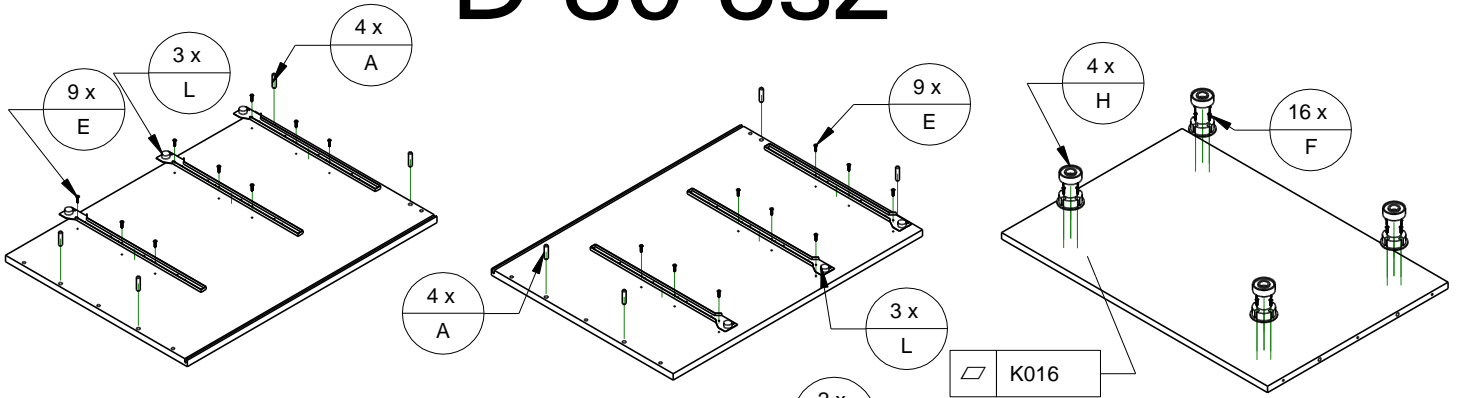
G80uw



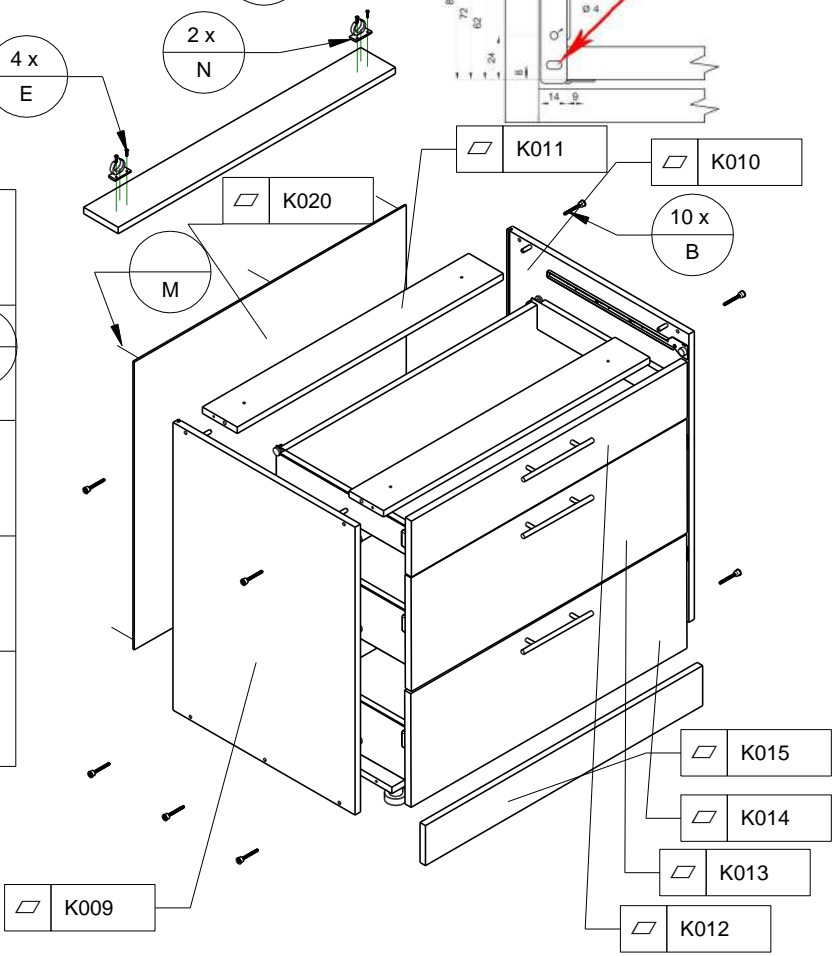
A	B	C
		
x12	x12	x4
D	E	F
		
x2	x2	x2
G	H	J
		
∅ 3,5 16 x8	∅ 4 16 x8	x4
K	L	M
		
∅ 4 30 x4	x4	x4
N	P	R
		
x4	x2	



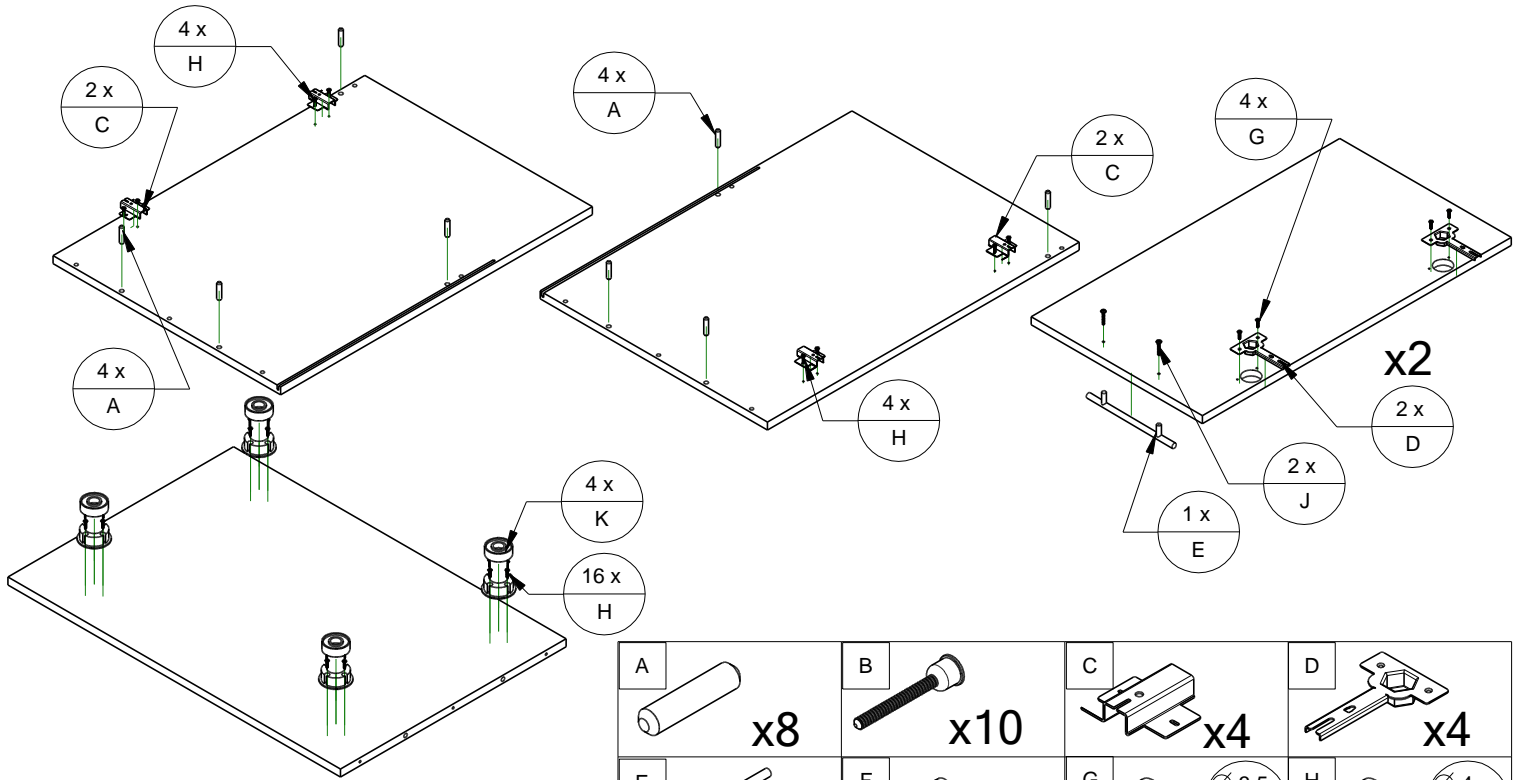
D 80 3sz

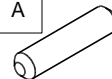
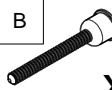
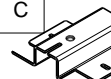
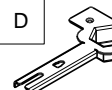

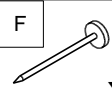
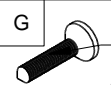
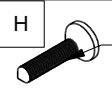
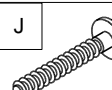
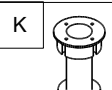
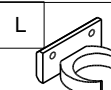


A	B	C
x8	x10	x3
D	E	F
x12	x52	x16
G	H	J
x6	x4	x2
K	L	M
x4	x6	x20
N	P	R
x2		



D 80zi



A	B	C	D
 x8	 x10	 x4	 x4
E	F	G	H
 x2	 x10	 $\varnothing 3,5$ 16 x12	 $\varnothing 4$ 16 x8
J	K	L	M
 x4	 x4	 x2	

