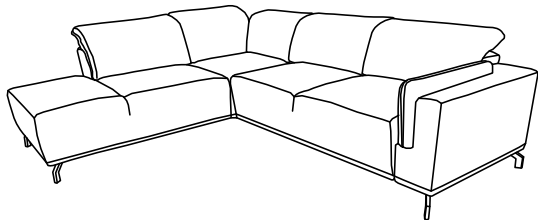
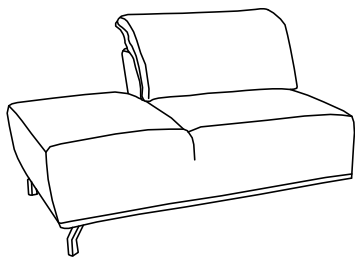
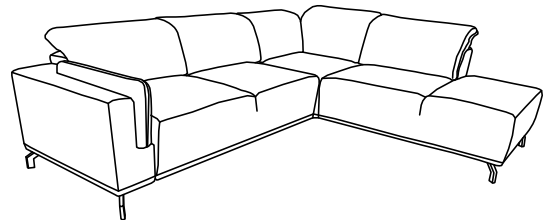


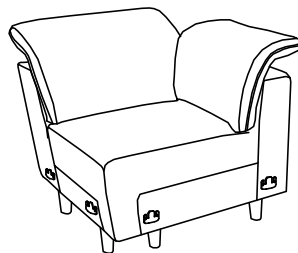
VERSION - L



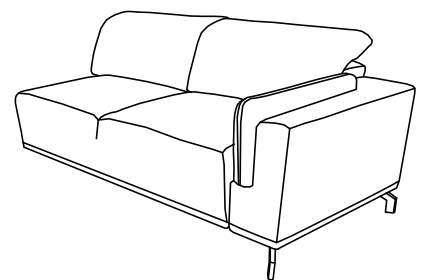
VERSION - R



OSL

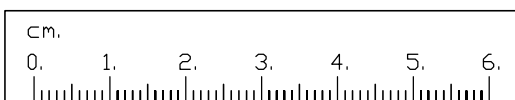


R



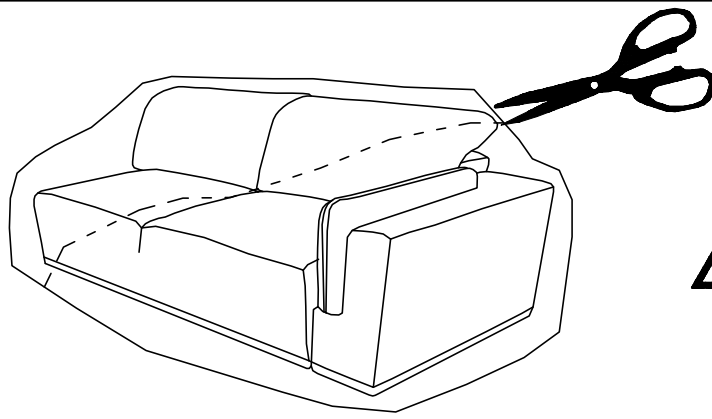
3FBP

4.0x25mm A 8	 B 4	 C 6	M6.0x25mm D 8
------------------------	------------	------------	-------------------------



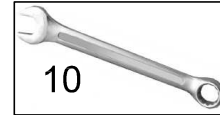
1


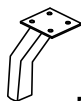

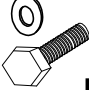
3FBP

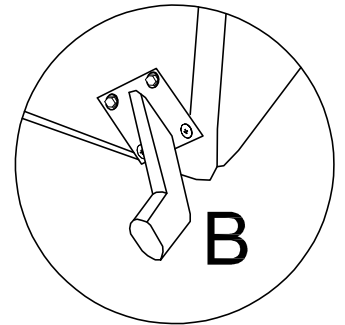
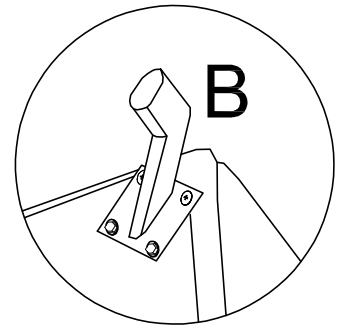
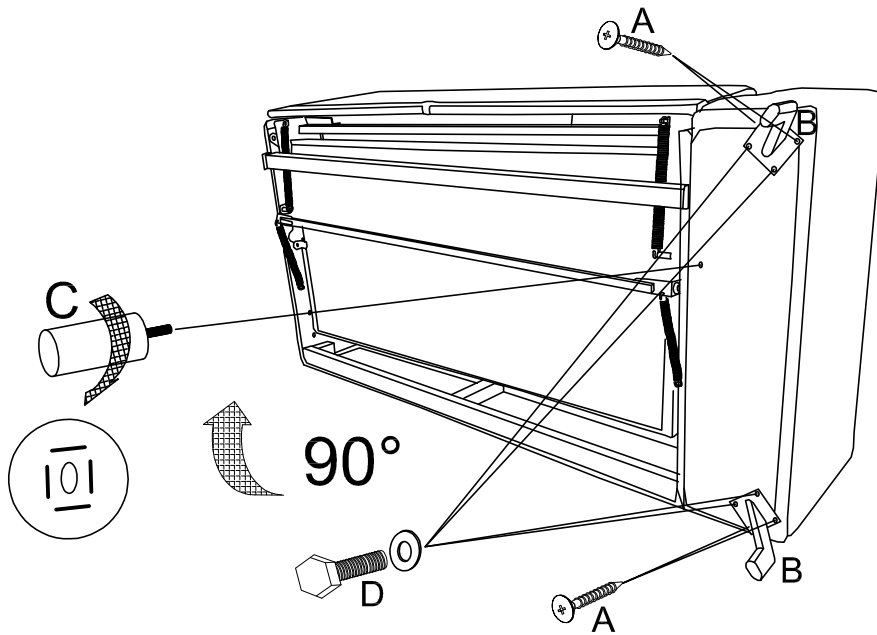


2

3FBP

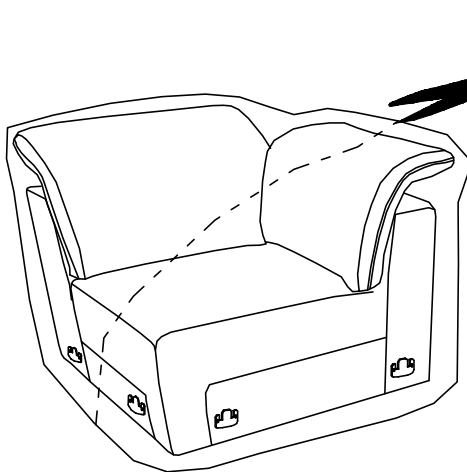


- 4.0x25mm
 A
- 4
 B
- 2
 C
- 1
M6.0x25mm
 D
- 4



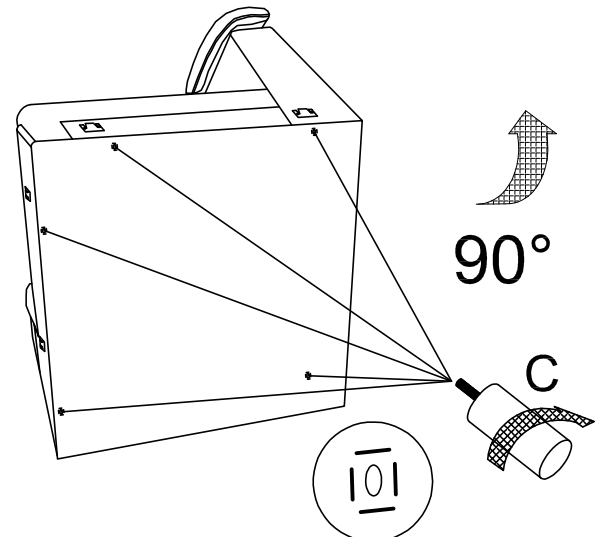
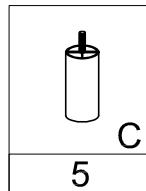
3

R



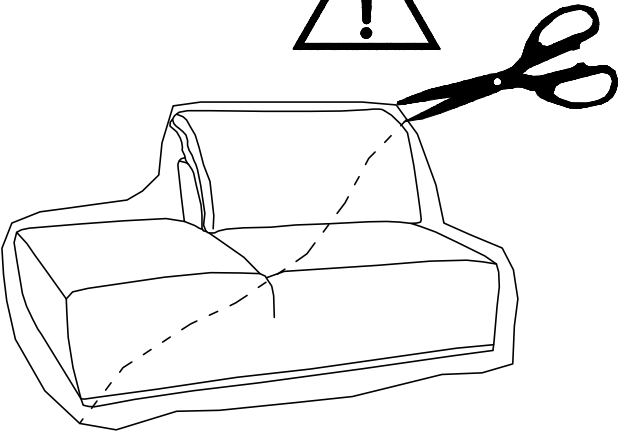
4

R



5

OSL



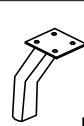
6

4.0x25mm



A

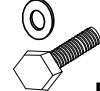
4



B

2

M6.0x25mm

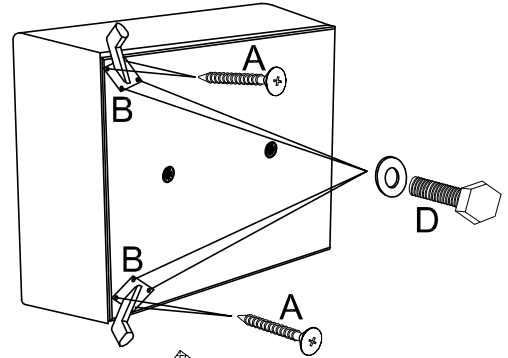
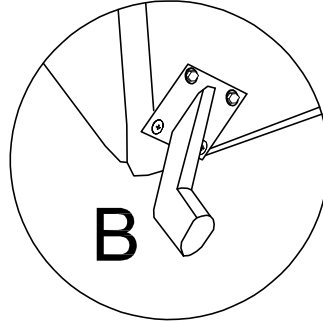
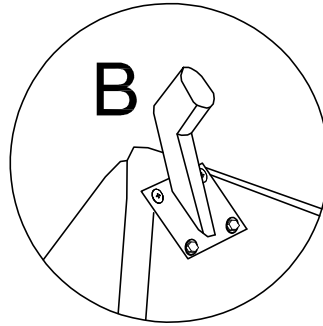


D

4



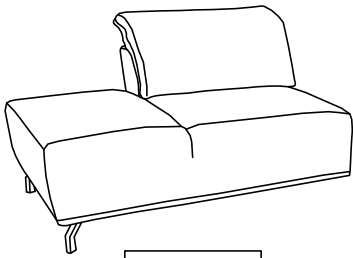
10



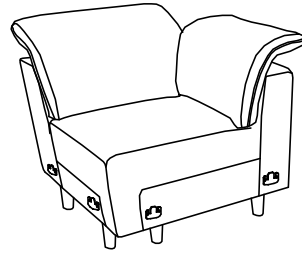
90°

OSL

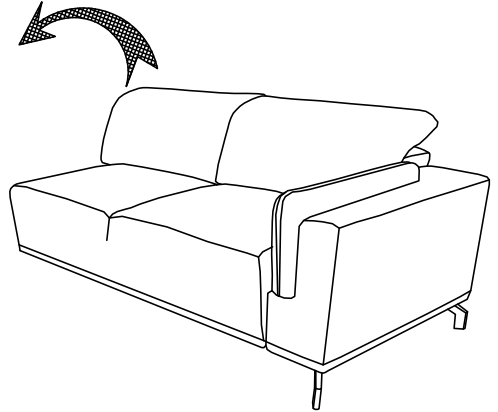
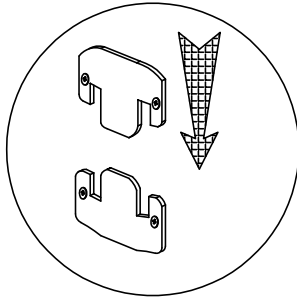
7



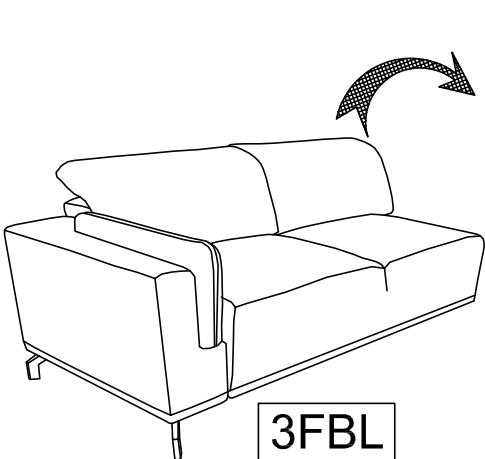
OSL



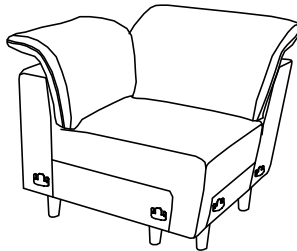
R



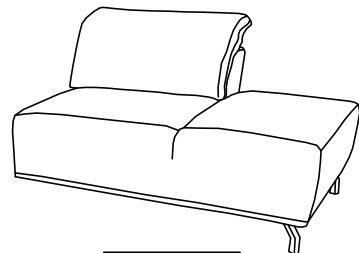
3FBP



3FBL

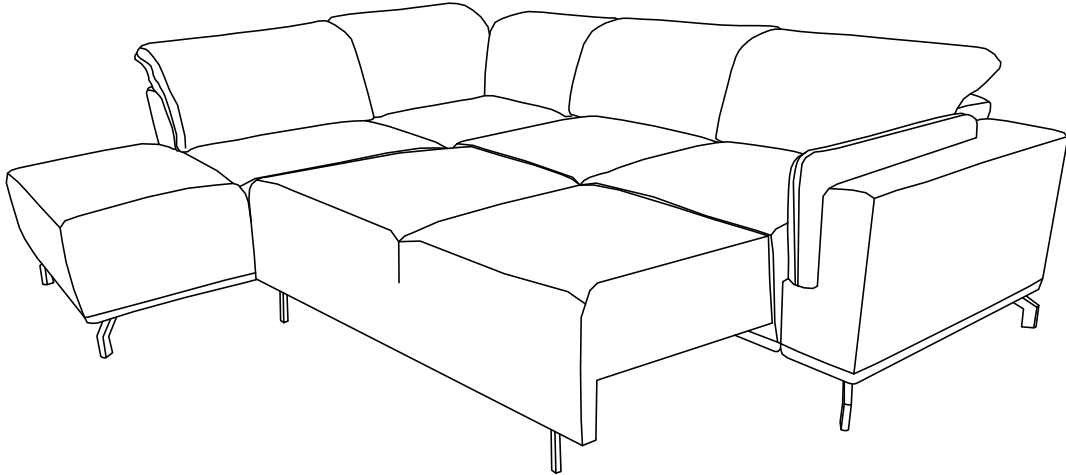
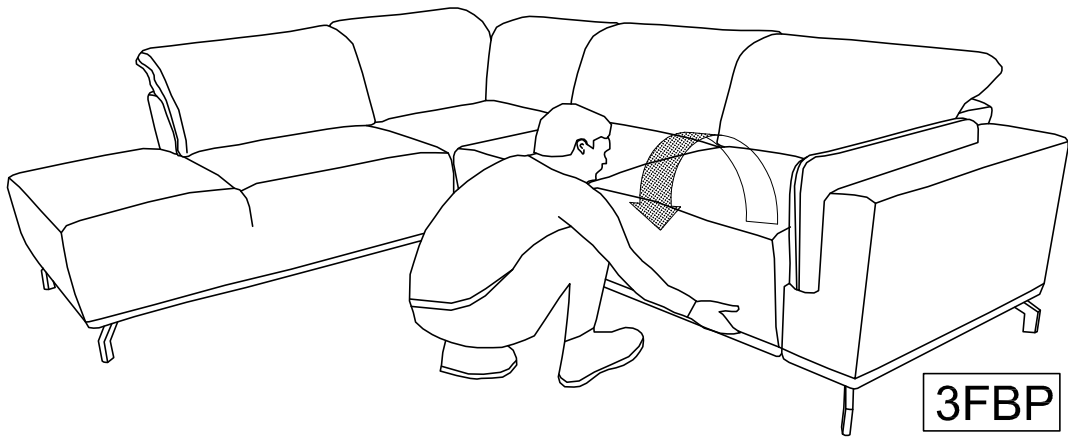


R



OSP

8



9

