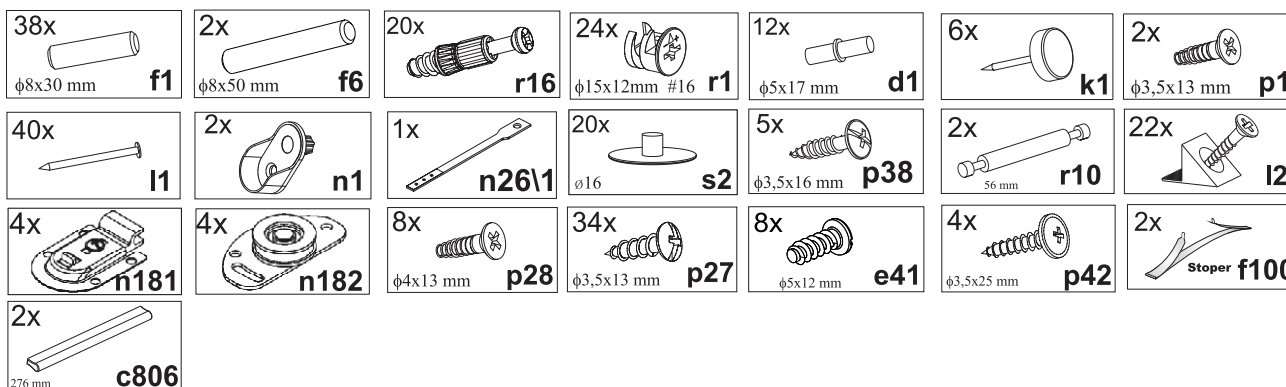
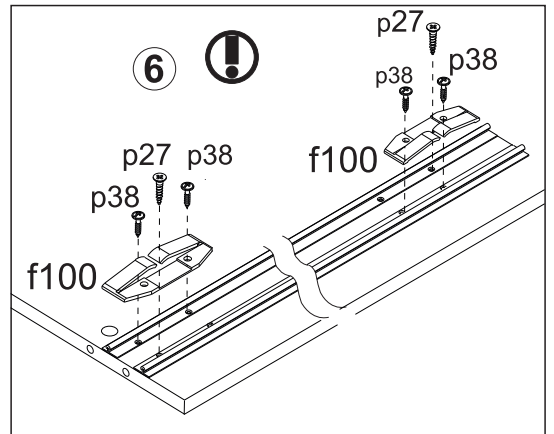
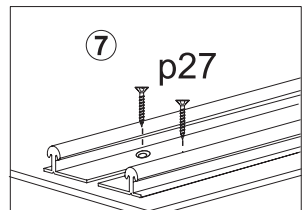
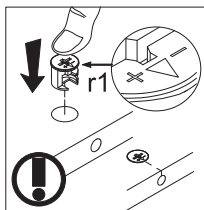
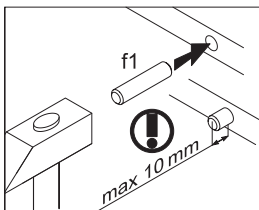
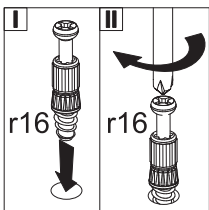
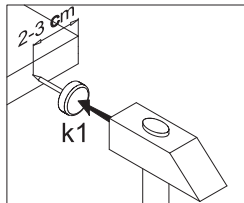
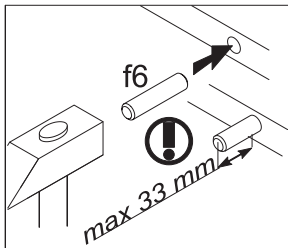
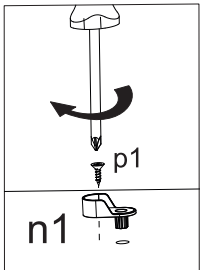
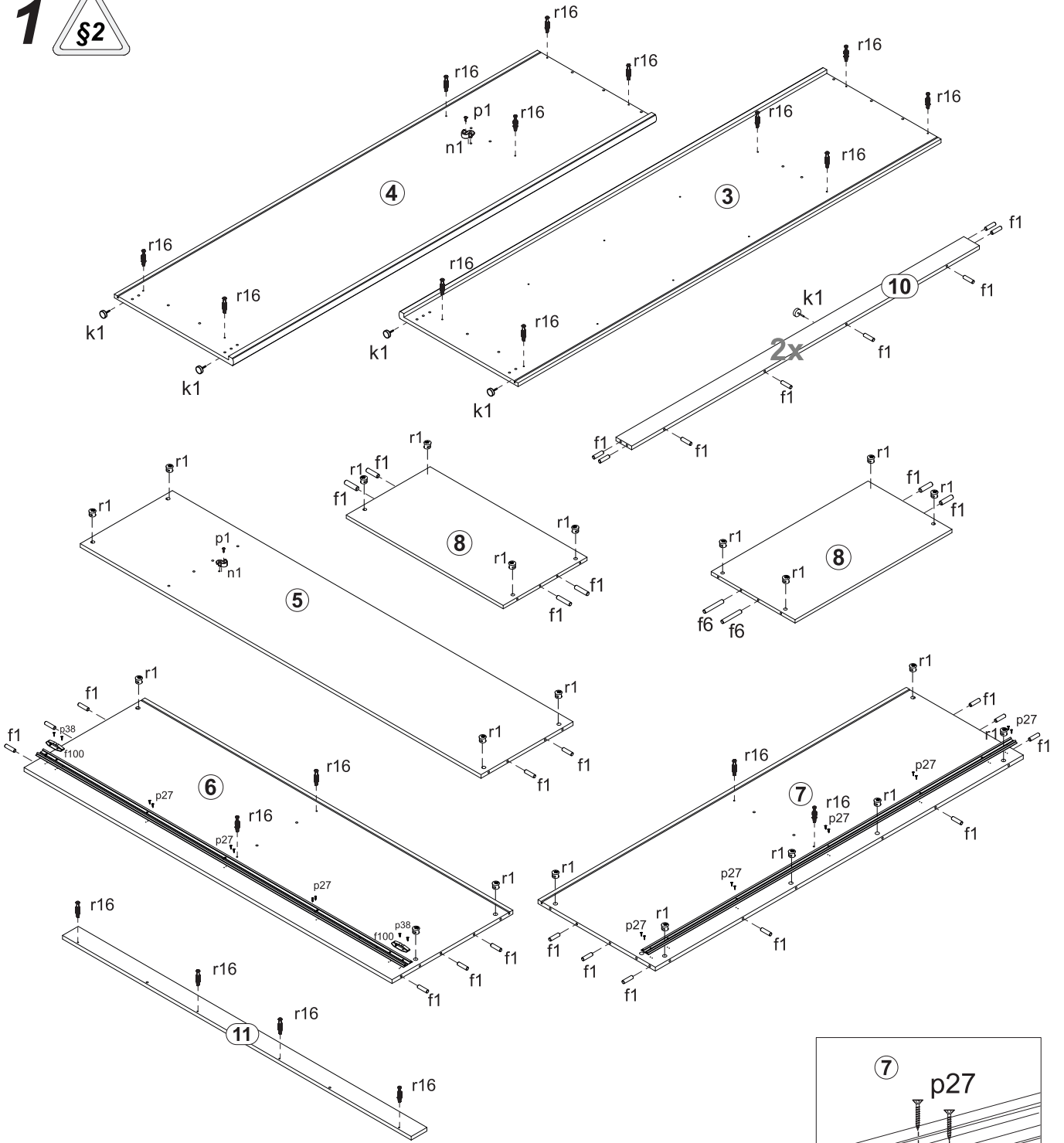


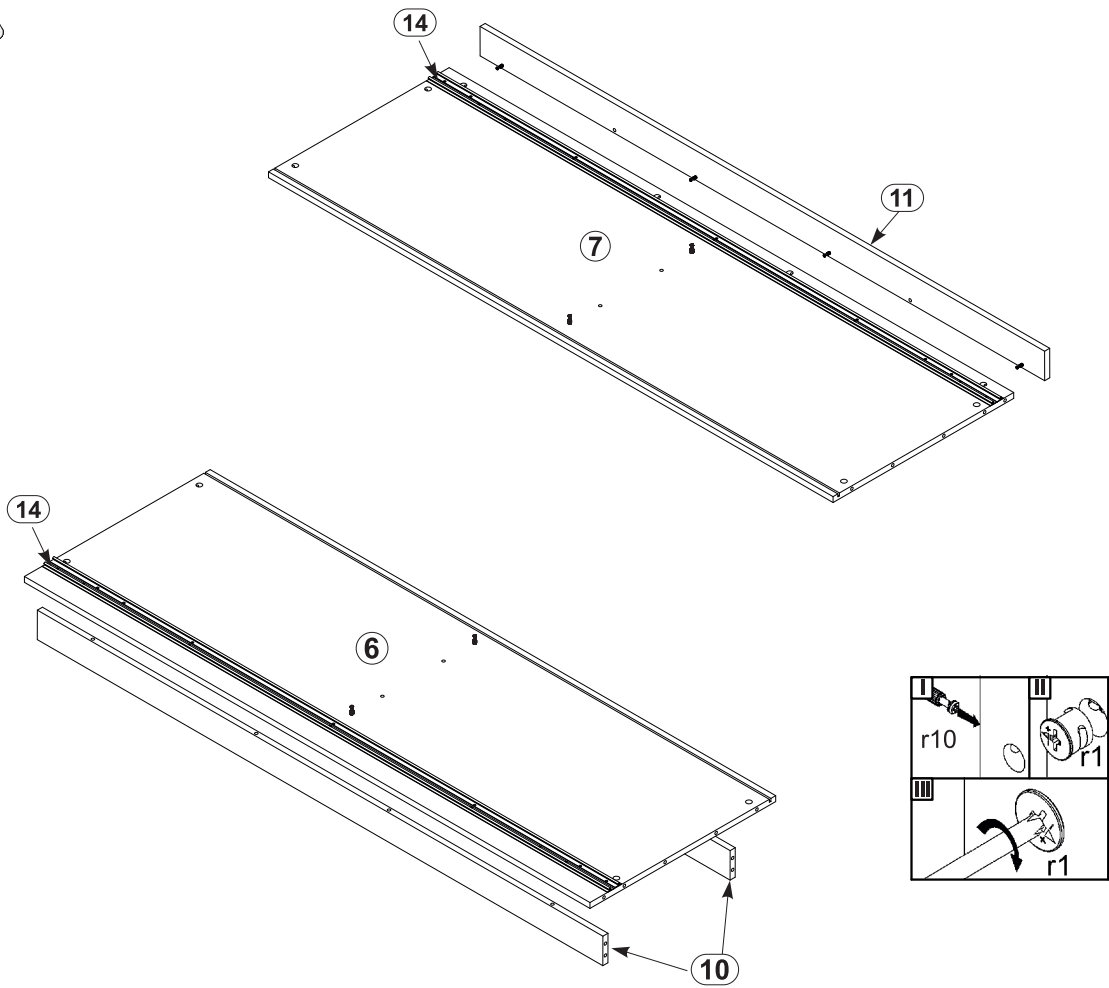
A	B	C		D	A	B	C		D
1	KR1-009	2029	906	3/3	8	KR1-307	878	460	2/3
2	KR1-006	2029	906	3/3	9	KR1-308	878	455	2/3
3	KR1-104	2155	608	1/3	10	KR1-404	1772	80	2/3
4	KR1-105	2155	608	1/3	11	KR1-403	1772	80	2/3
5	KR1-106	2042	460	1/3	12	KR1-902	2056	893	3/3
6	KR1-305	1772	583	2/3	13	DR-873	873		1/3
7	KR1-306	1772	566	2/3	14		1771	20	1/3



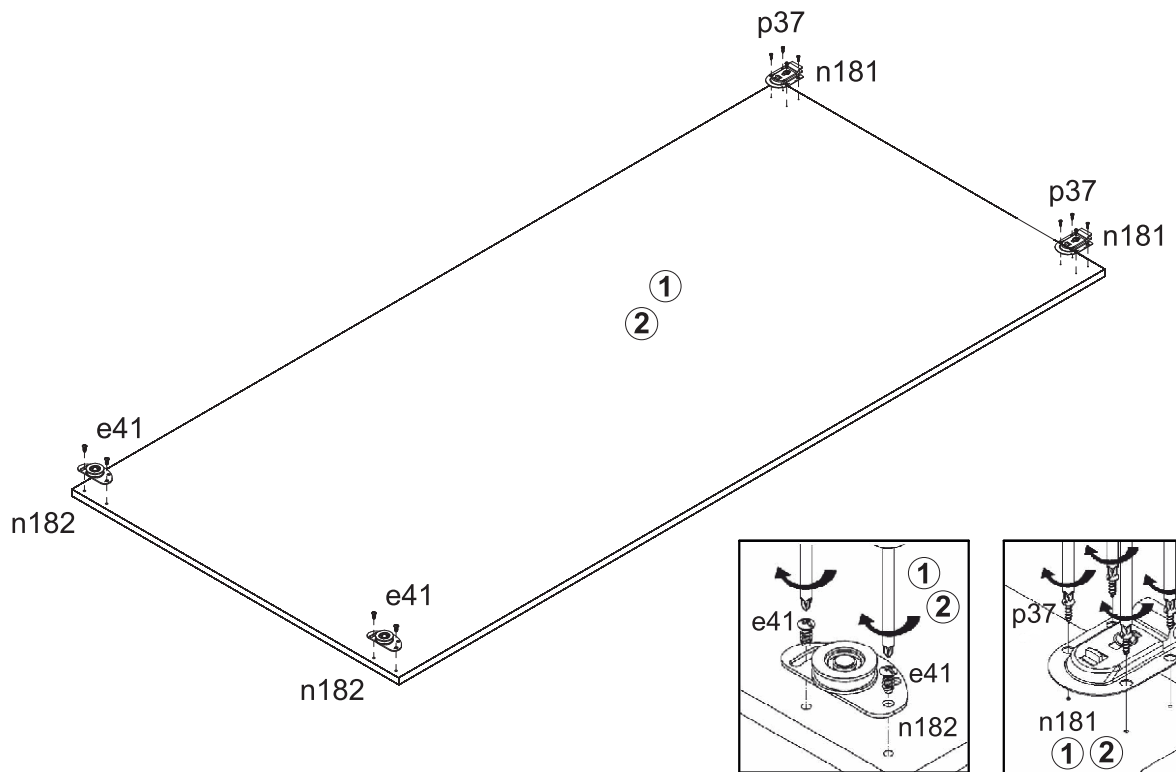
1



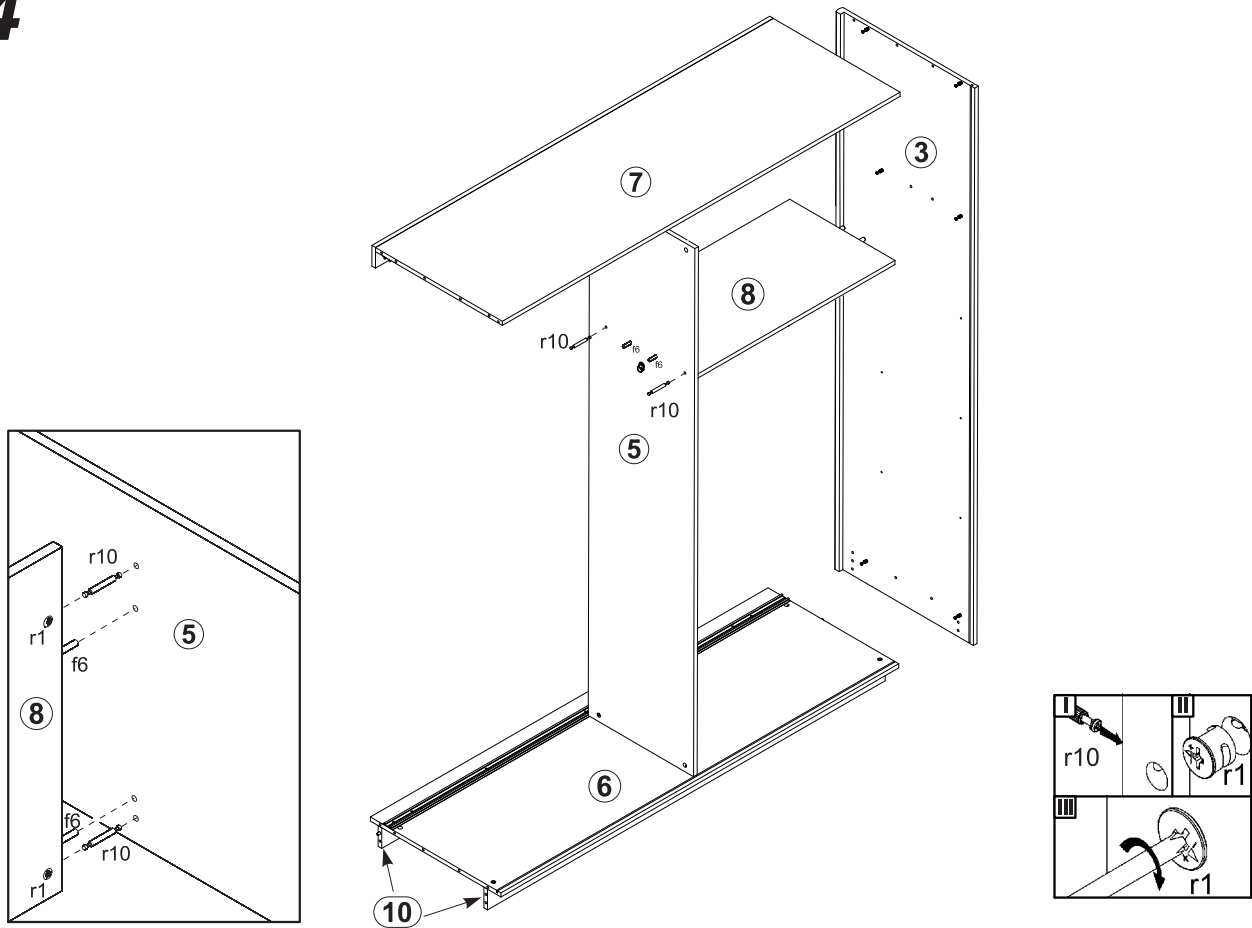
2



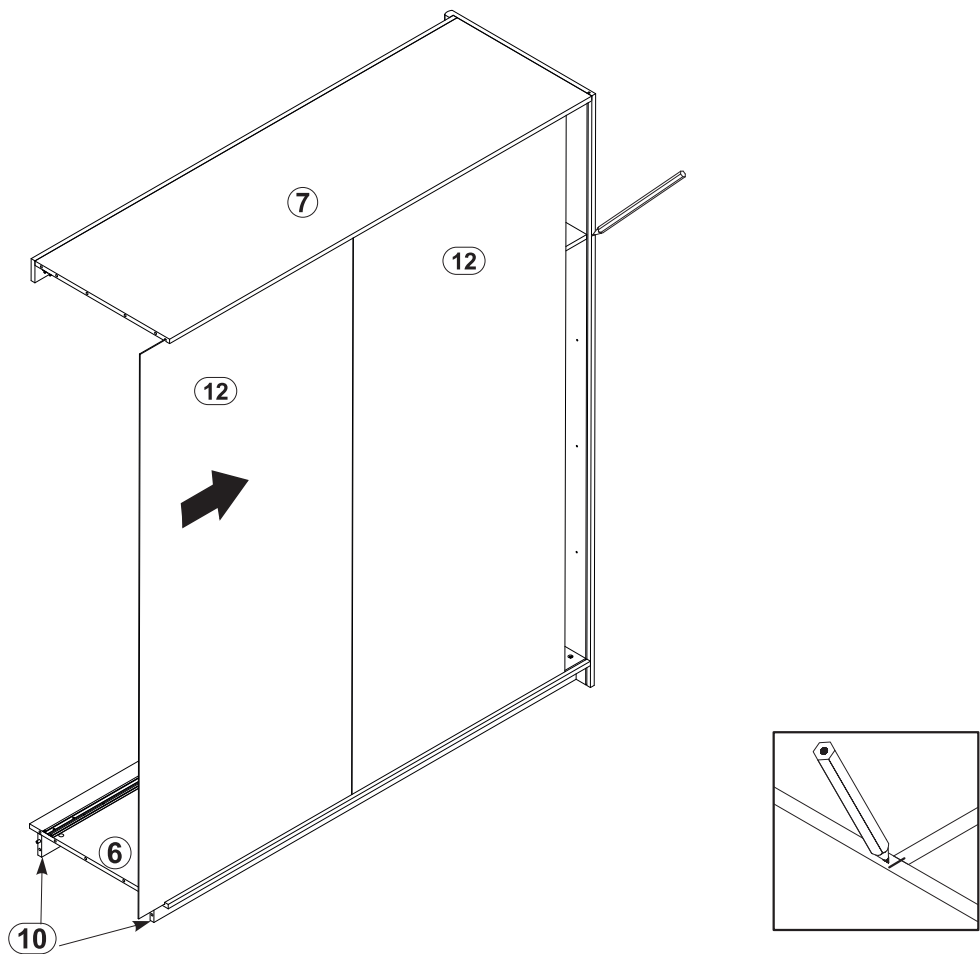
3



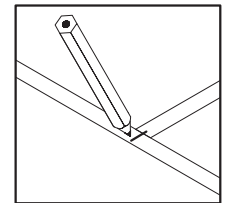
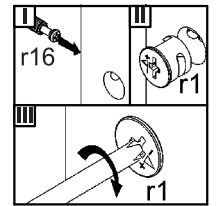
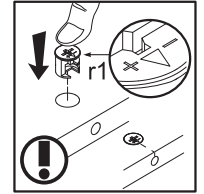
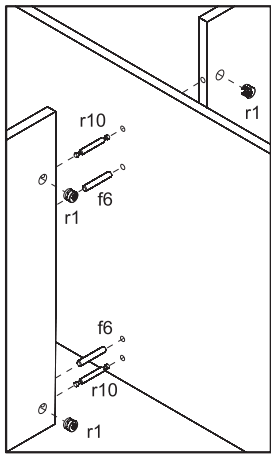
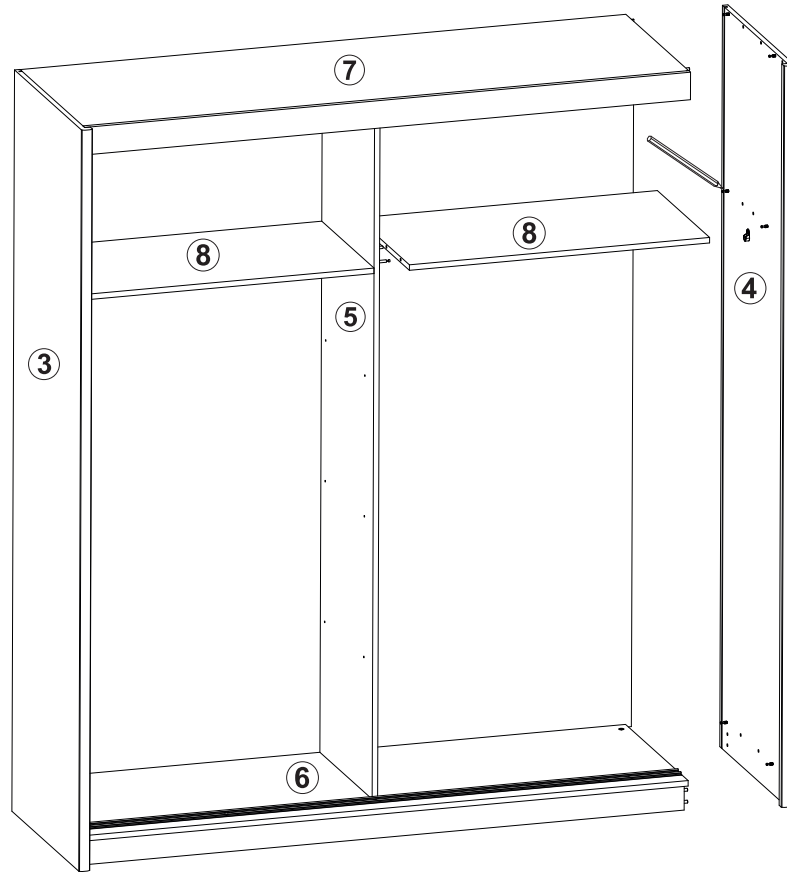
4



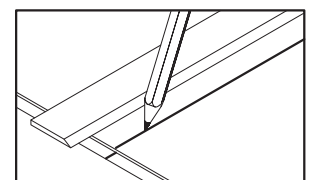
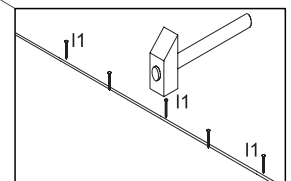
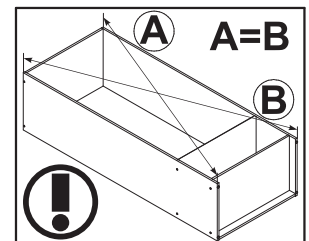
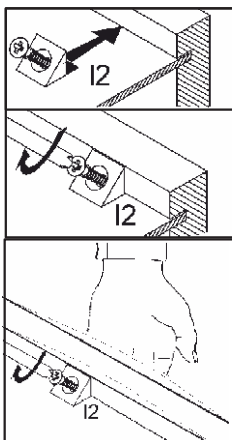
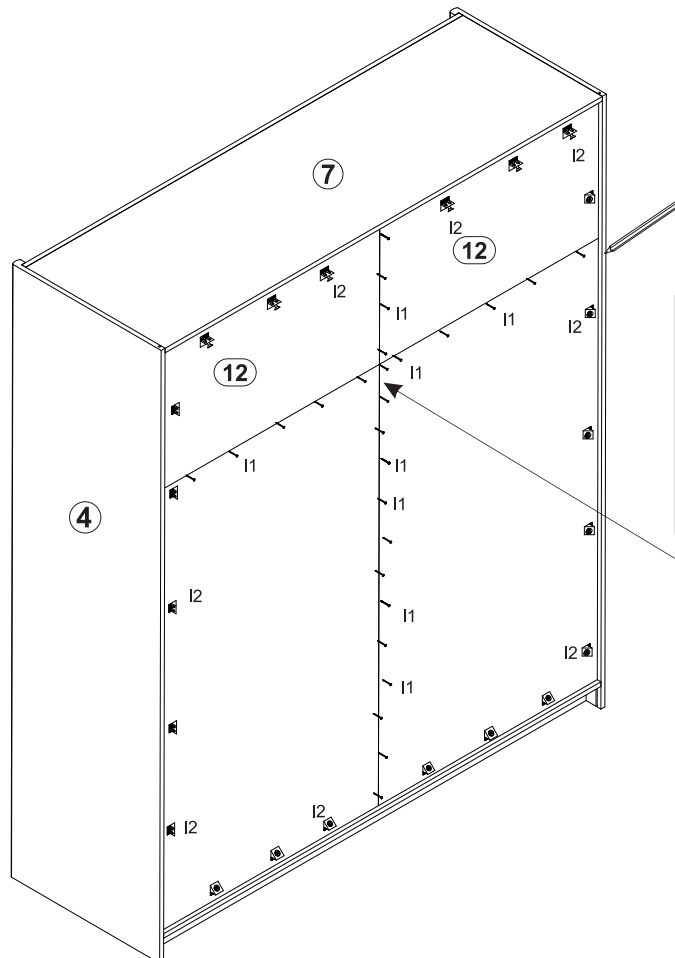
5



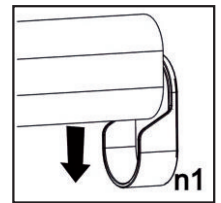
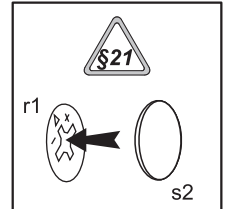
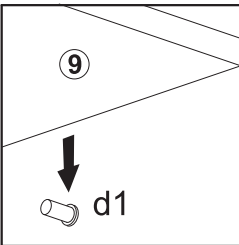
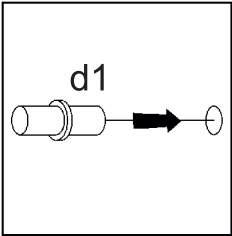
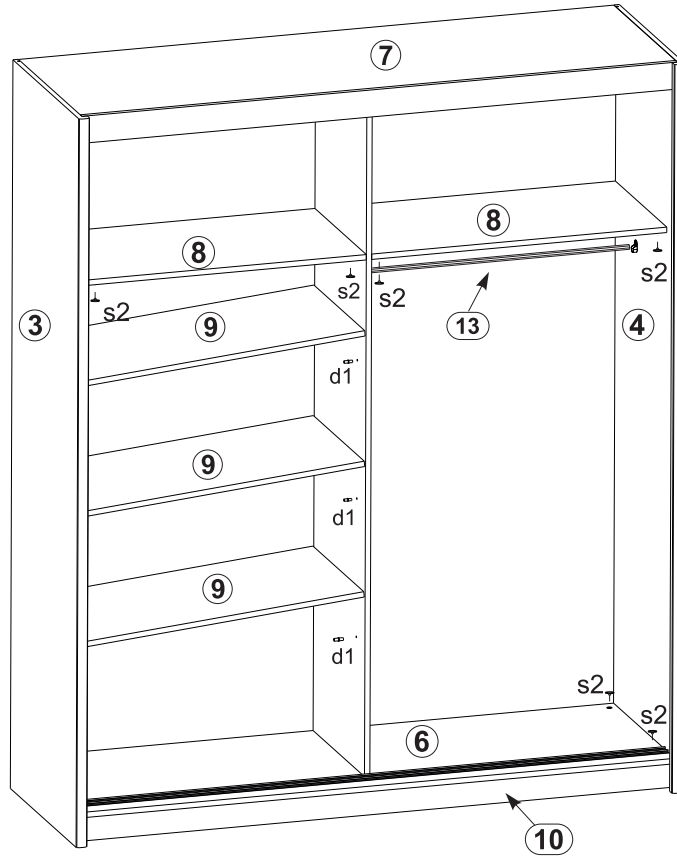
6



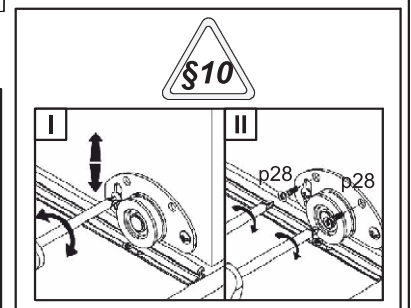
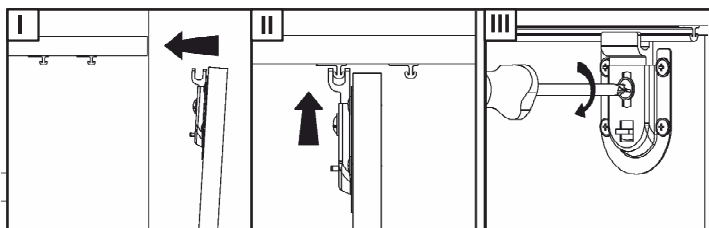
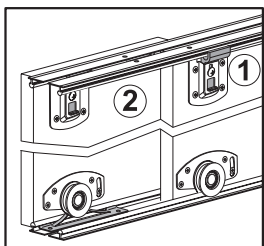
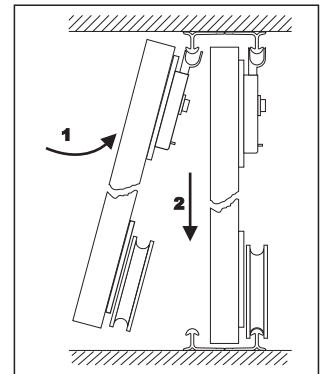
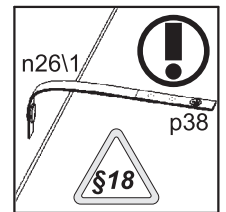
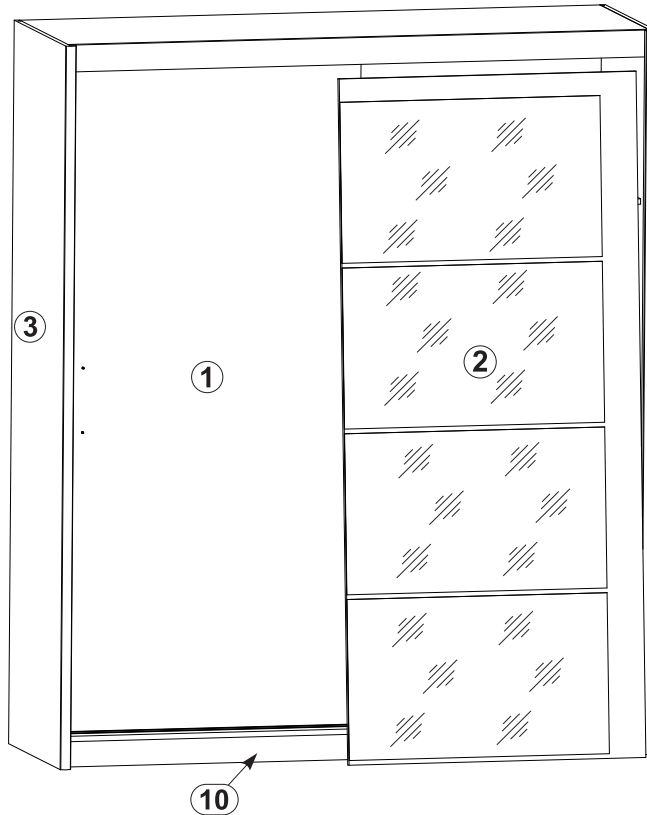
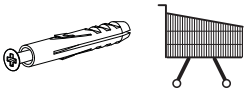
7



8



9



10

