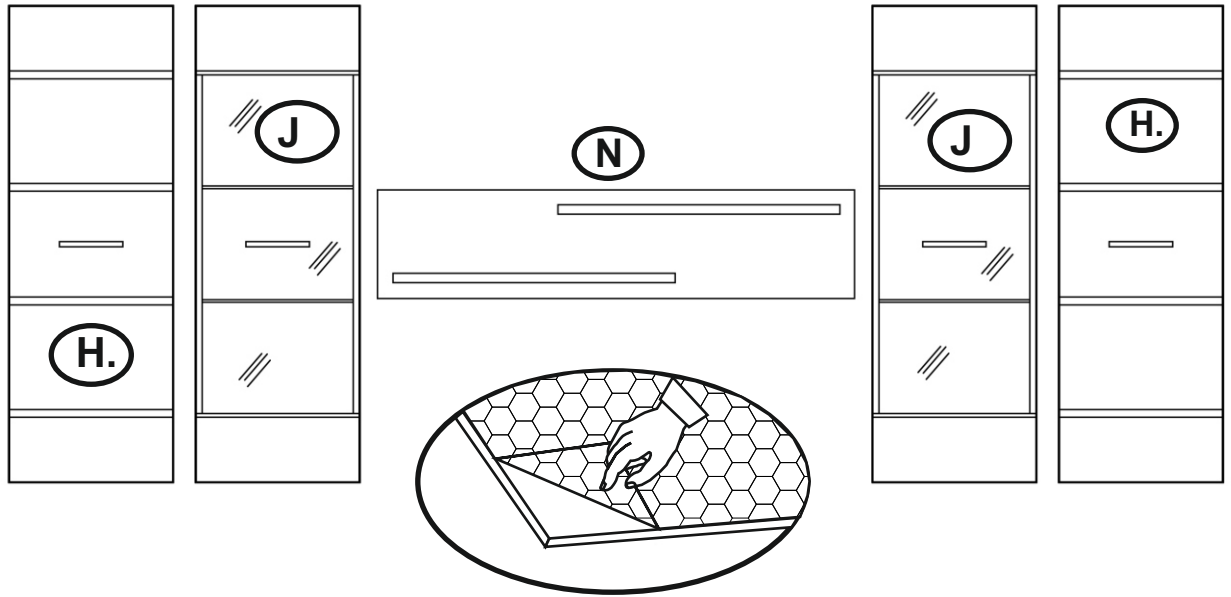
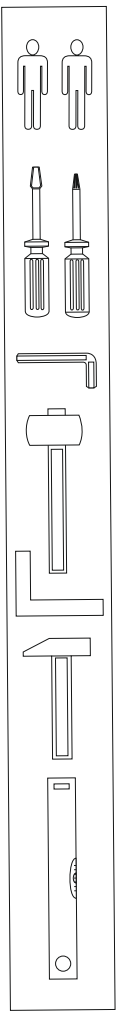
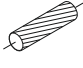
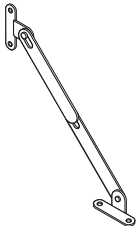

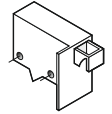
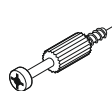

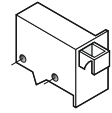
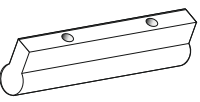
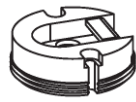





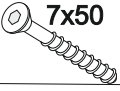
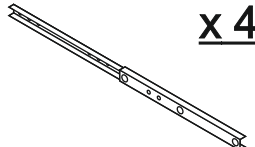
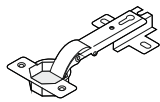



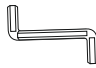


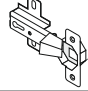
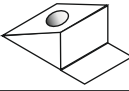

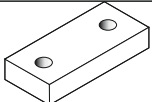
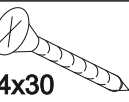


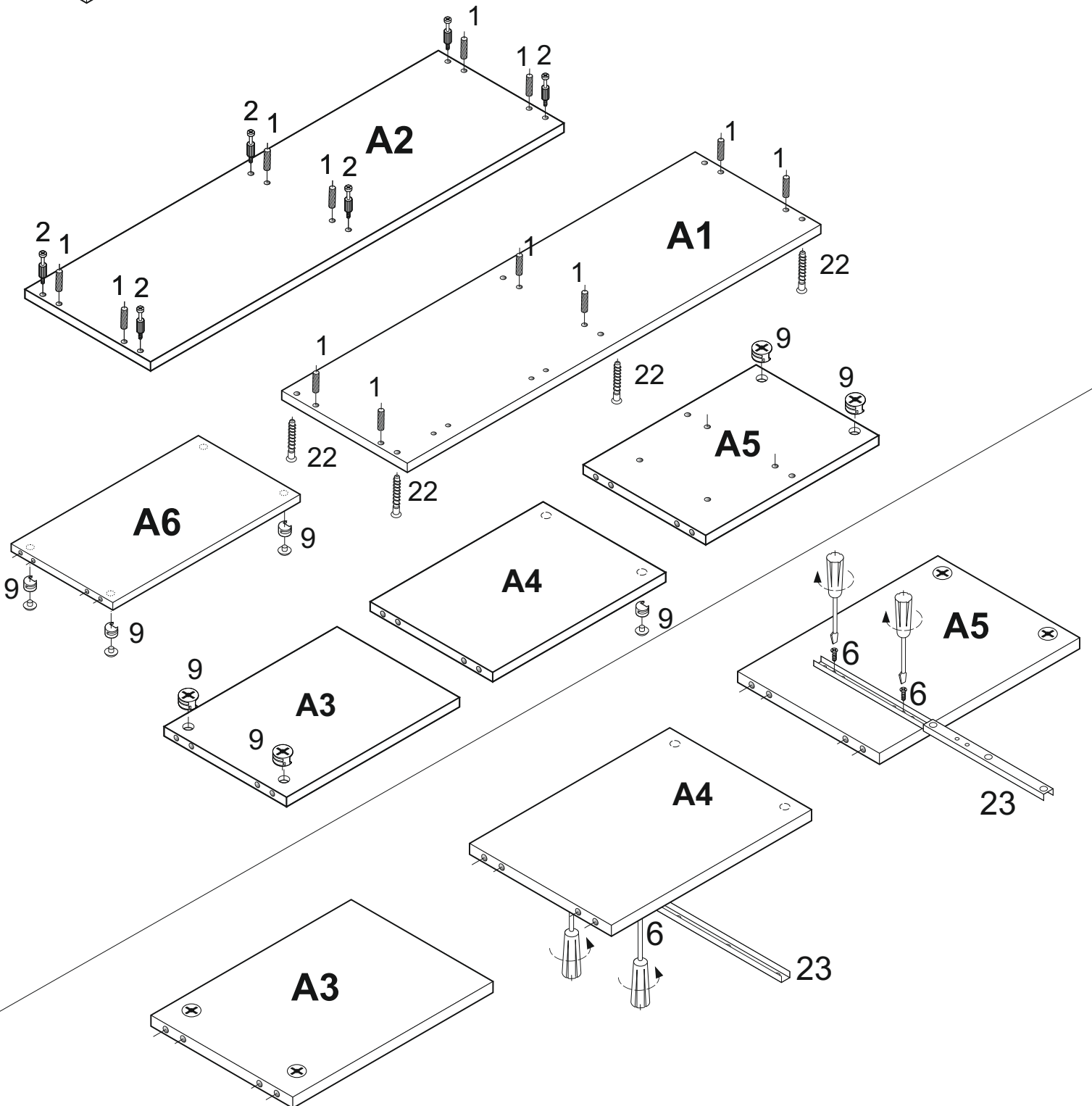
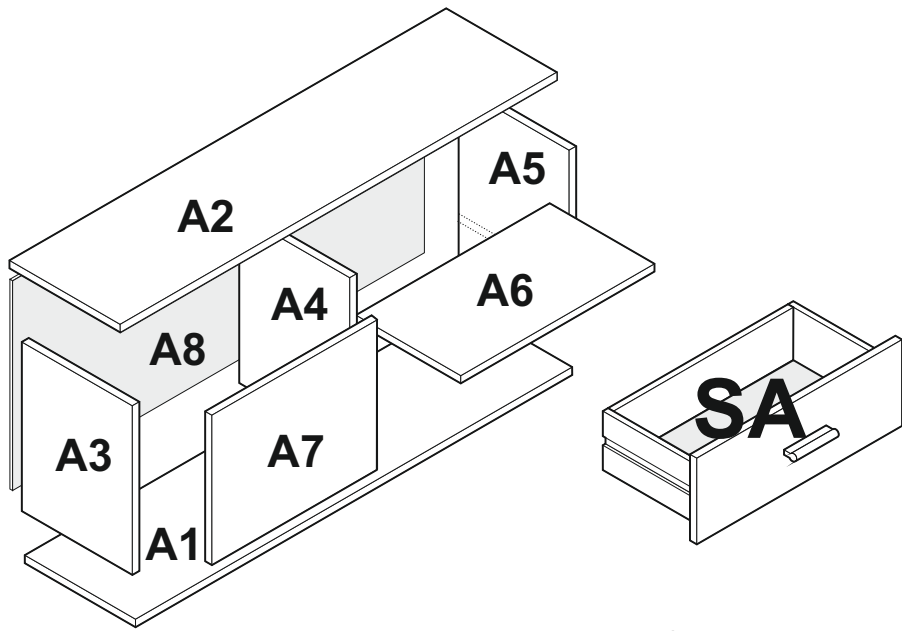
# "LAUREN"

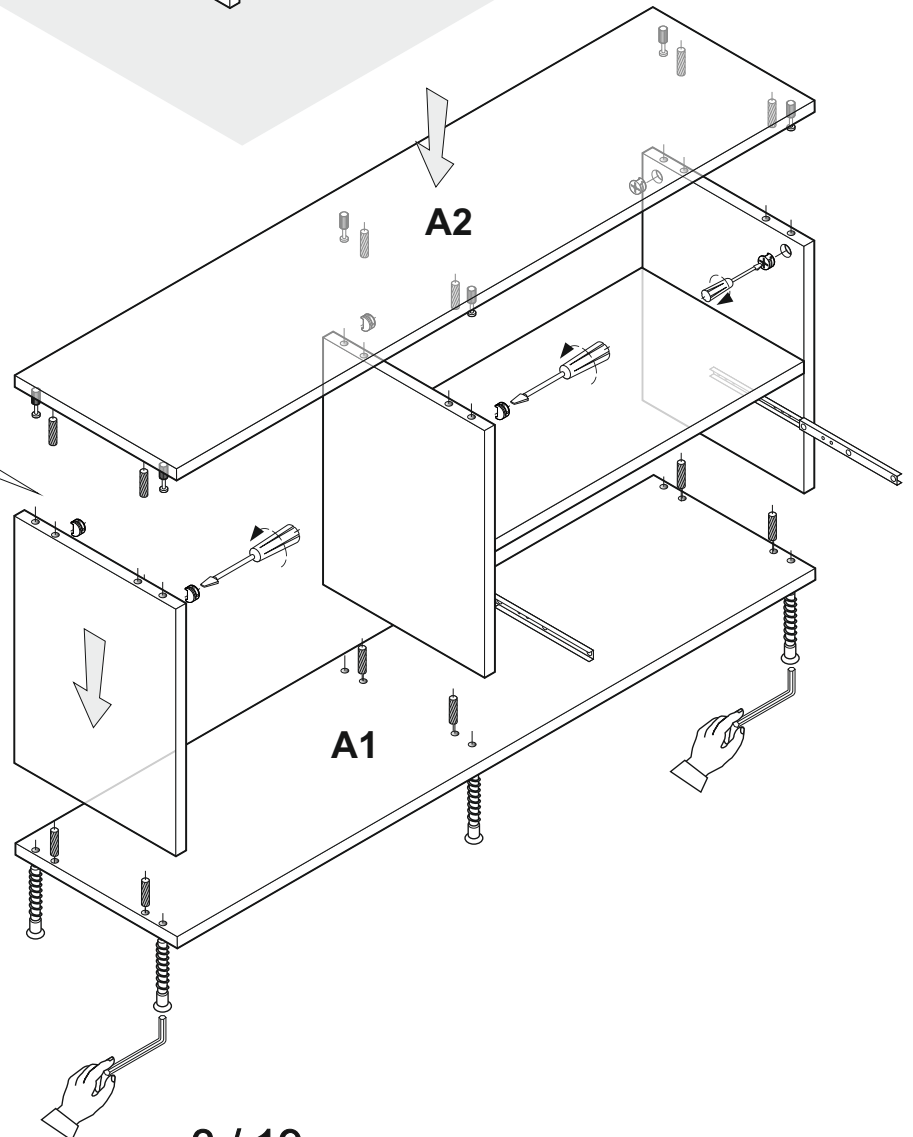
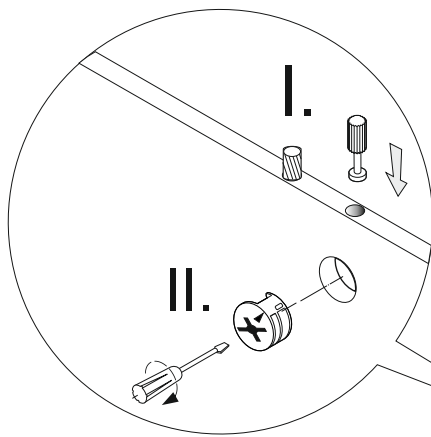
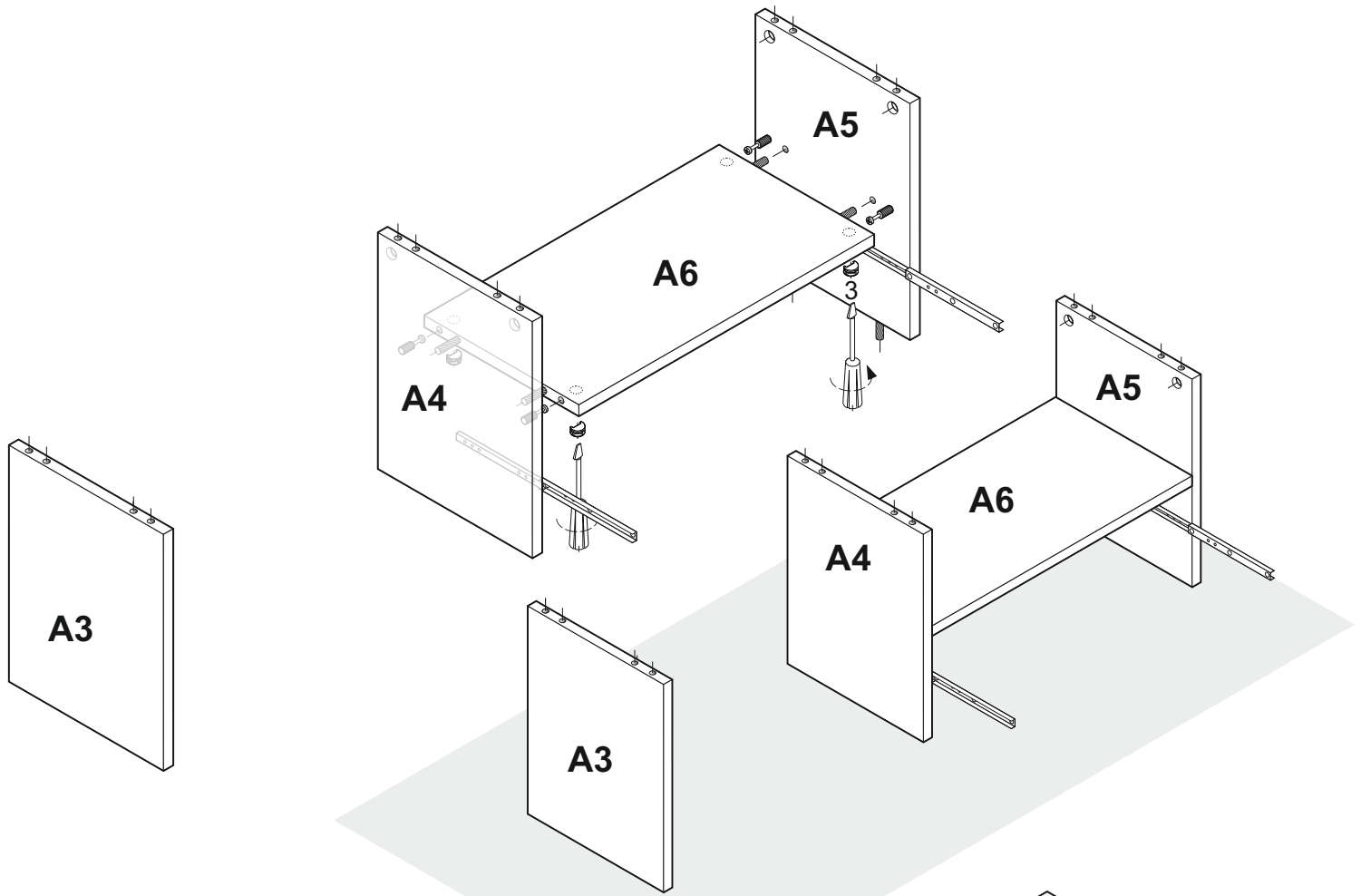


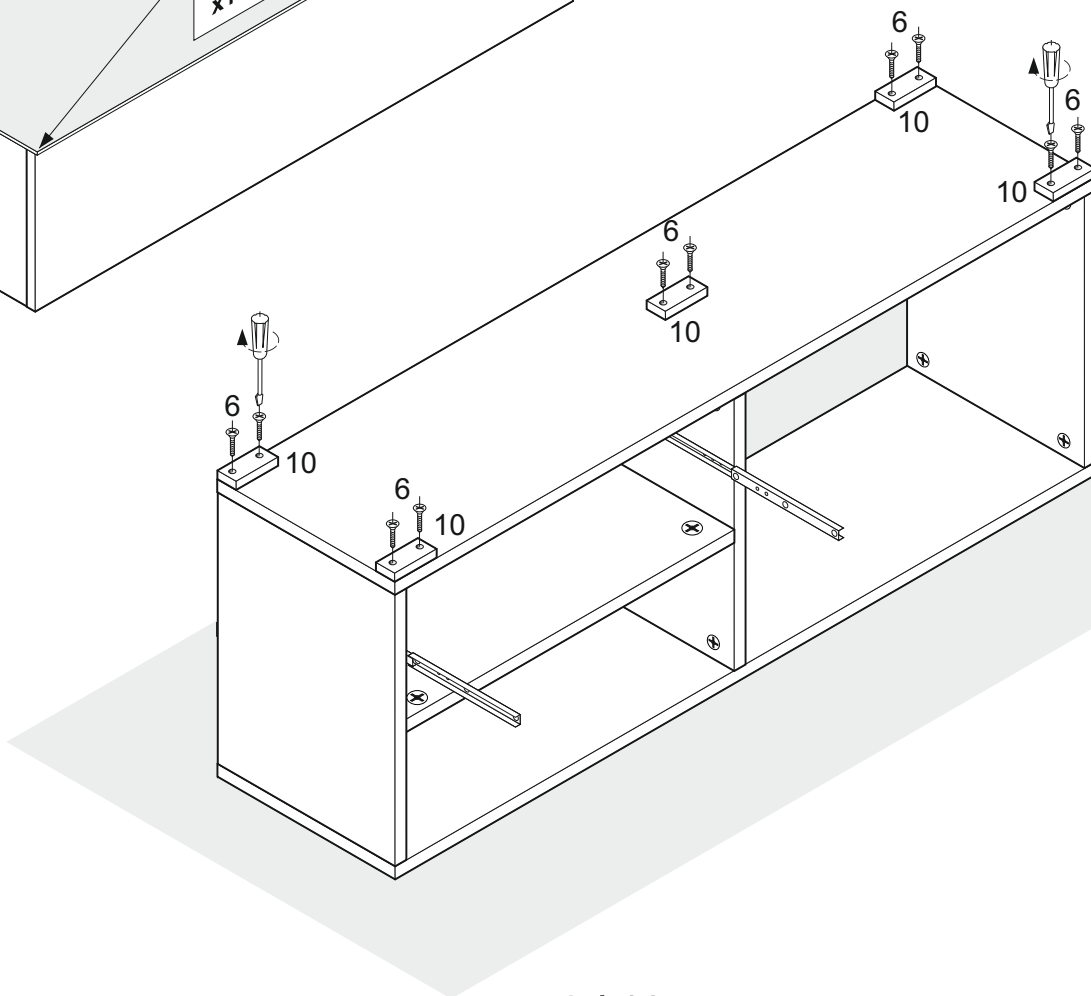
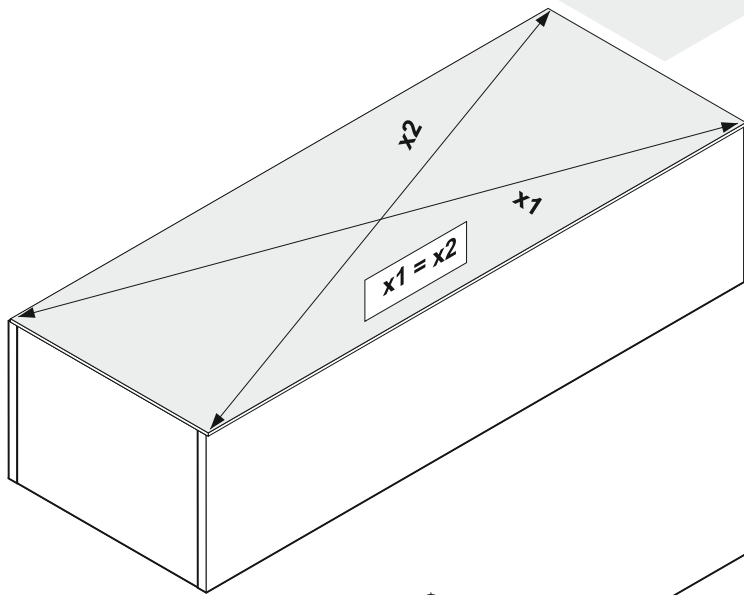
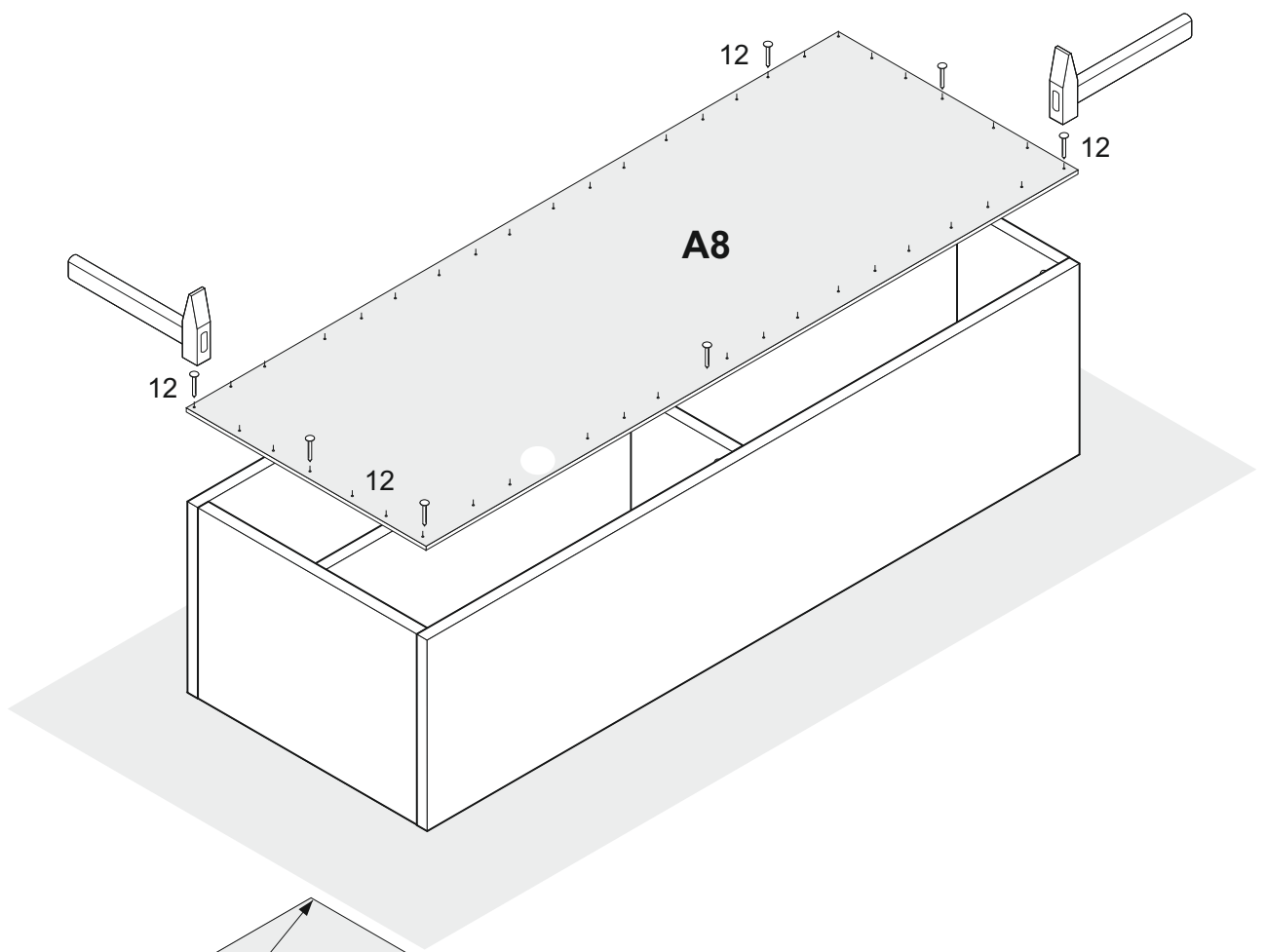
FRONTY / FRONTEN / DOORS

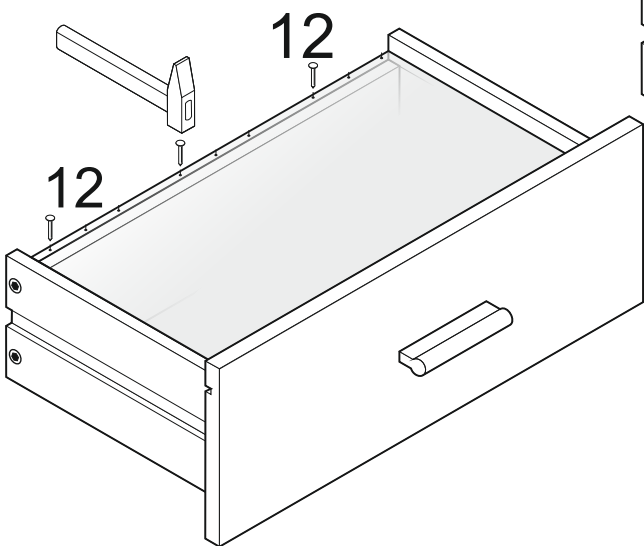
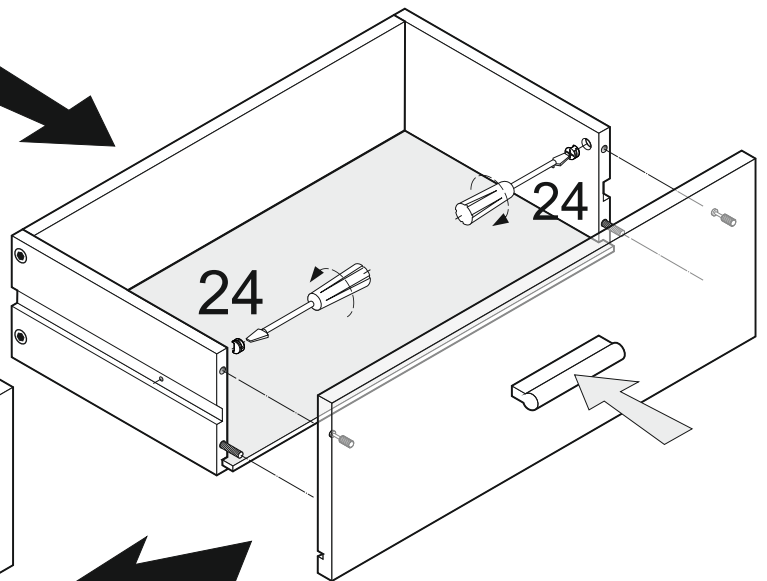
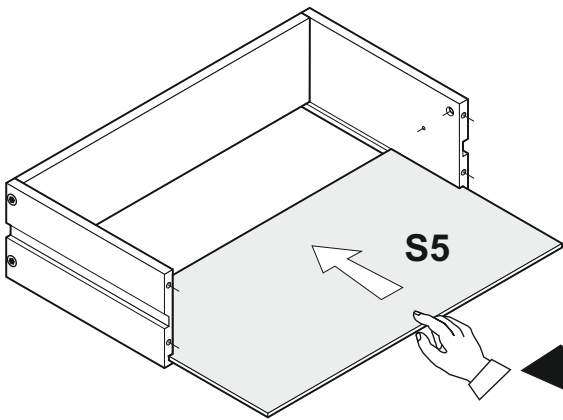
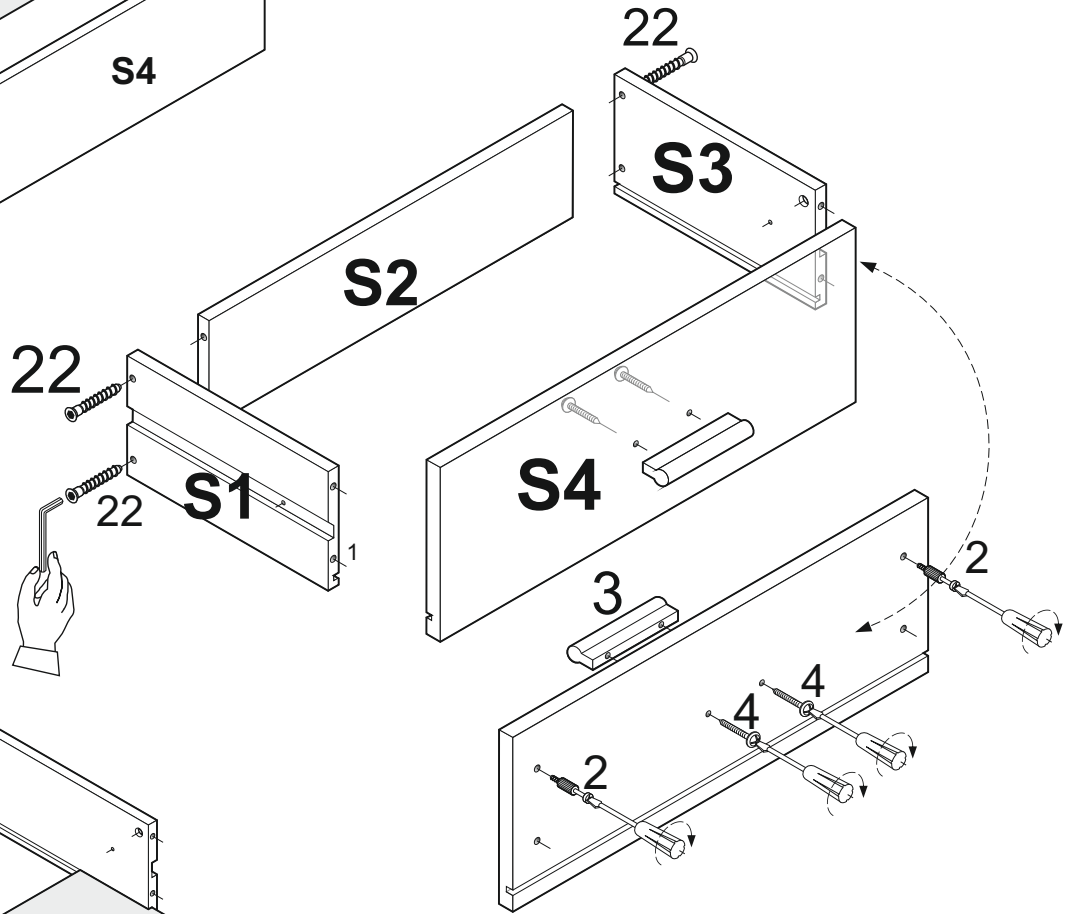
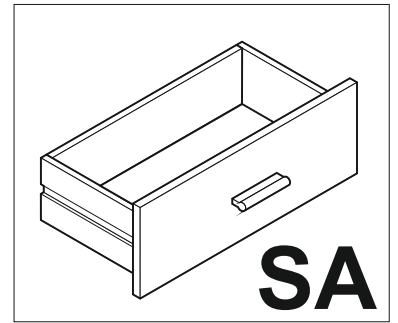
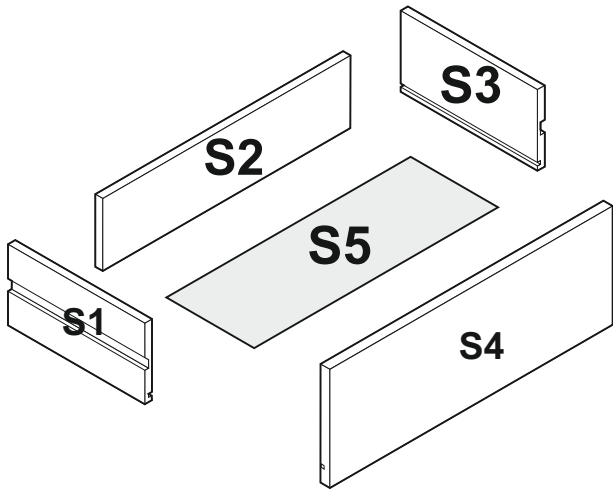


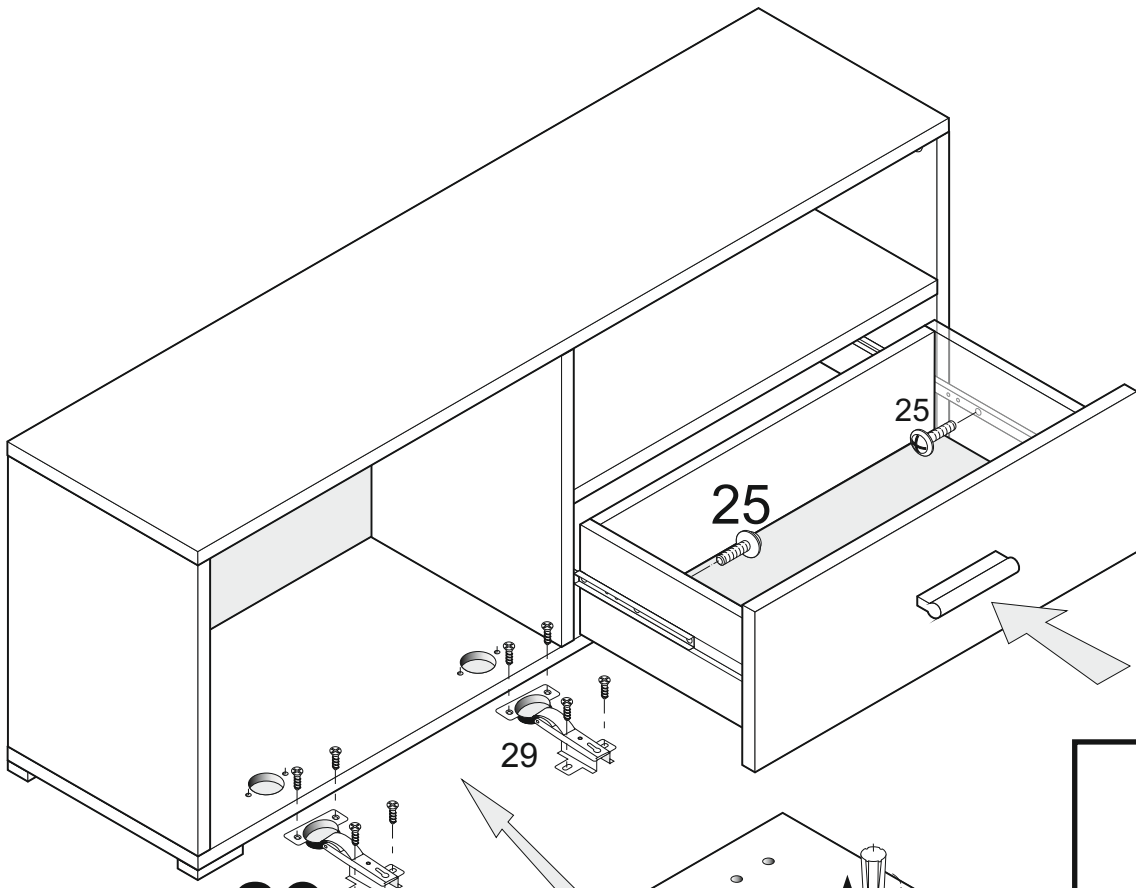
|    |   |    |   |    |  |     |   |
|----|---|----|---|----|--|-----|---|
| 1  |  <u>x 68</u> |    |  <u>x 2</u>  | 12 |  <u>x 110</u> | 17  |  <u>x 4</u>  |
| 2  |  <u>x 24</u> | 7  |   | 13 |  <u>x 16</u>  | 18  |  <u>x 4</u>  |
| 3  |  <u>x 8</u>  | 72 |  <u>x 2</u>  | 14 |  <u>x 16</u> | 22A |  <u>x 58</u> |
| 4A |  <u>x 16</u> | 4B |  <u>x 20</u> | 36 |  <u>x 12</u>  | 22  |  <u>x 58</u> |
|    |   |    |   |    |  |     |  <u>x 4</u>  |
| 5  |  <u>x 8</u>  | 9A |  <u>x 20</u> | 4  |  <u>x 12</u>  | 23  |   |
| 6  |  <u>x 66</u> | 26 |  <u>x 1</u>  | 24 |  <u>x 4</u>   | 25  |  <u>x 4</u>  |
| 29 |  <u>x 4</u>  | 30 | LED LIGHTS <u>x 1</u>   | 38 |  <u>x 24</u> | 39  |  <u>x 20</u> |
|    |   | 10 |  <u>x 10</u> | 21 |  <u>x 16</u> |     |   |







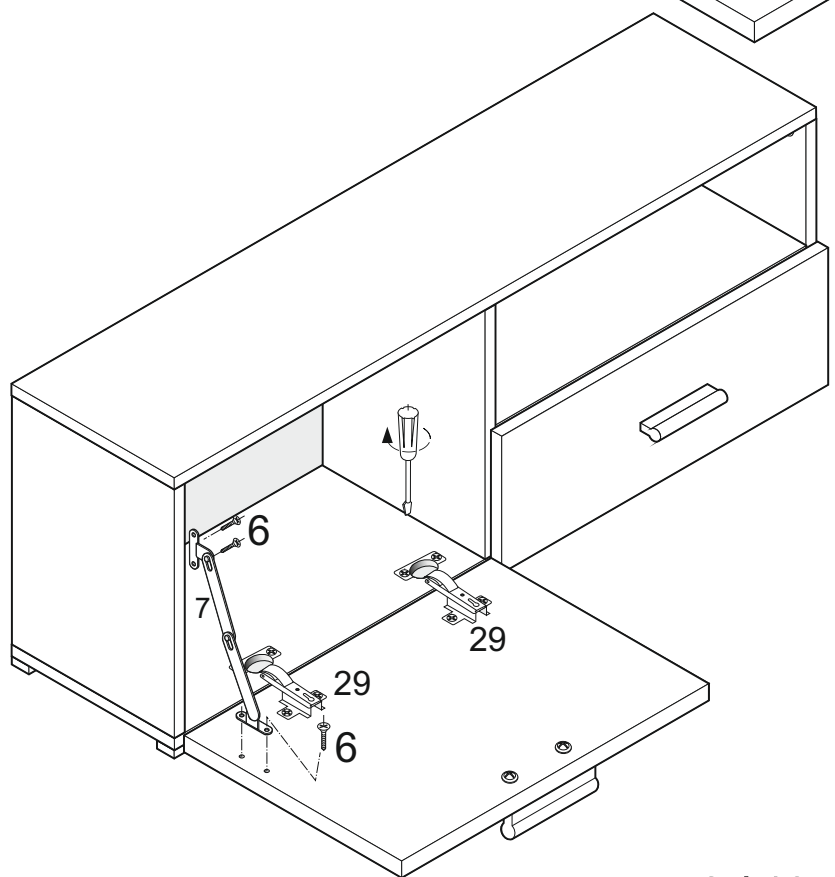
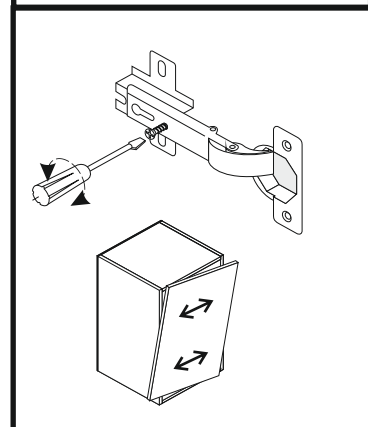
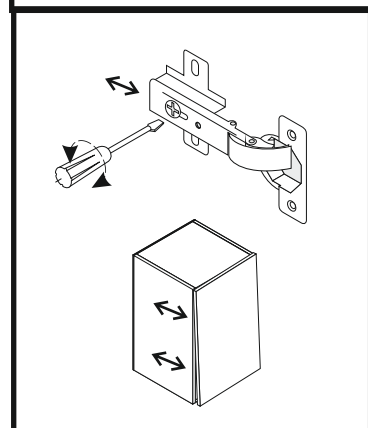
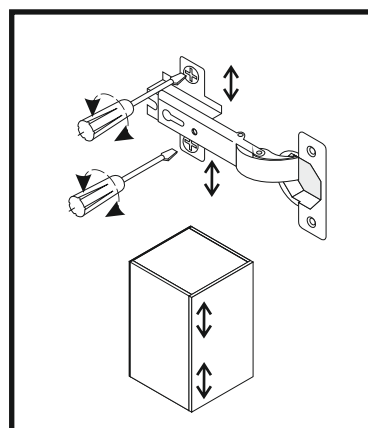




29

A7 4

3



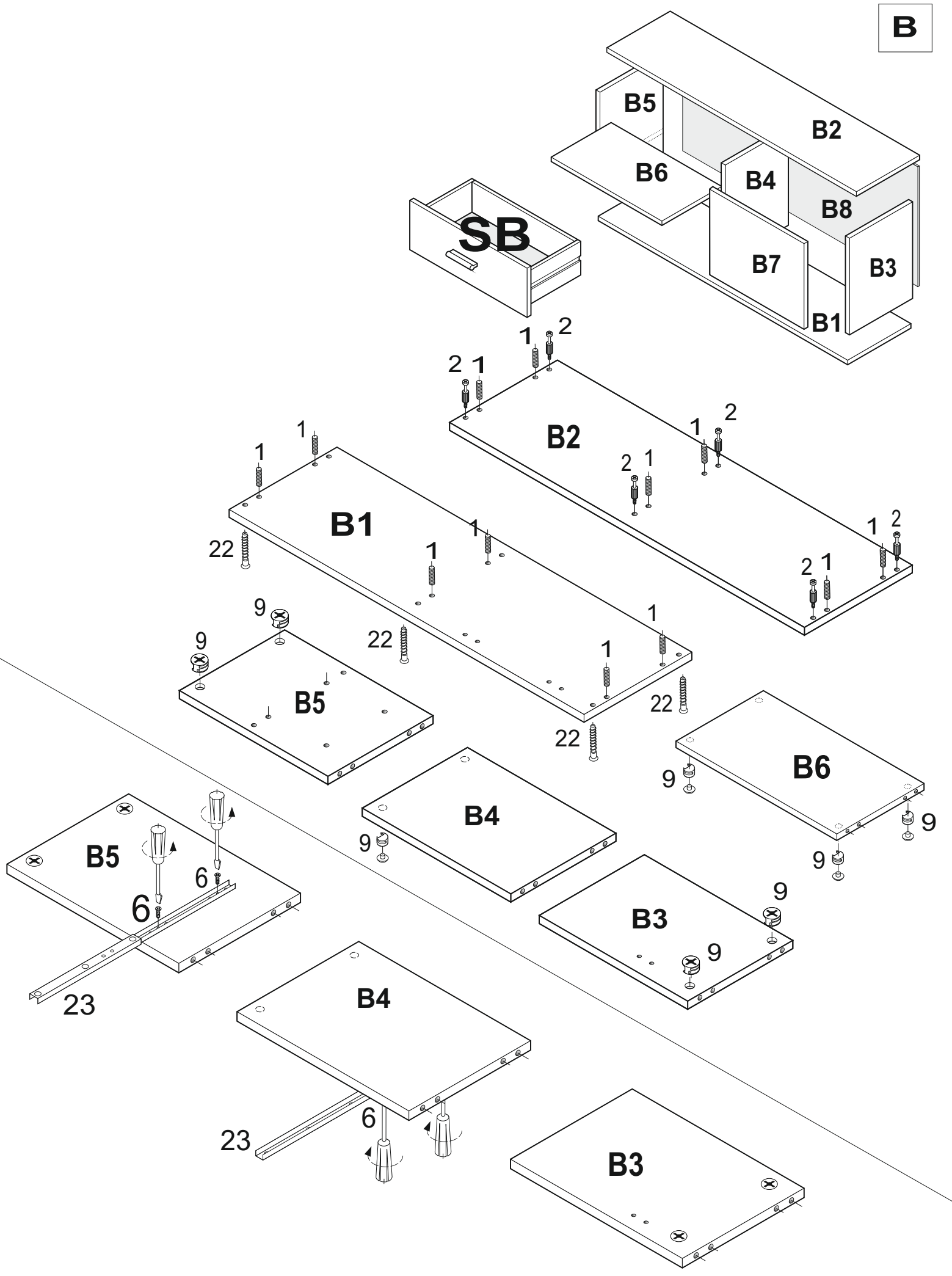
6

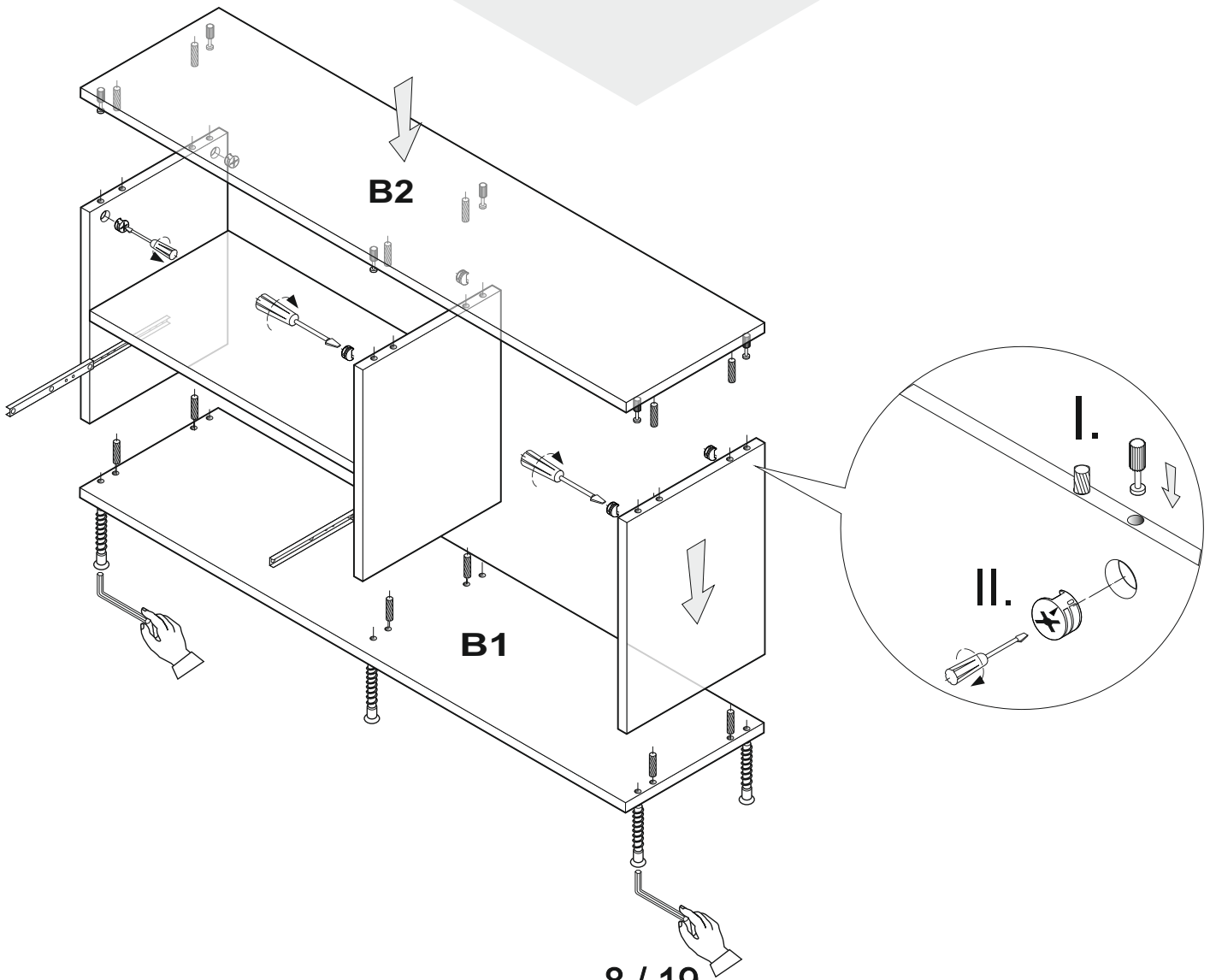
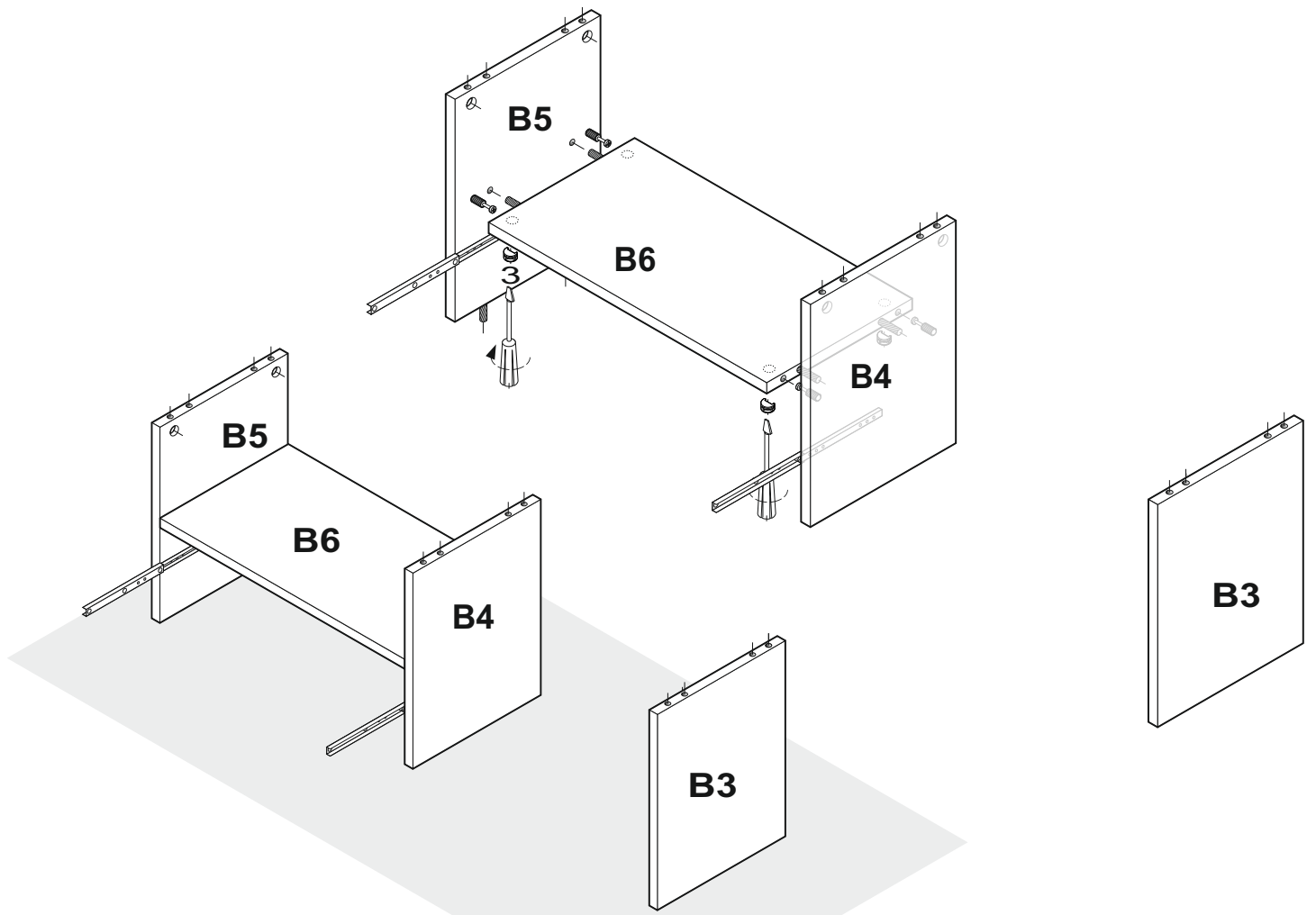
7

29

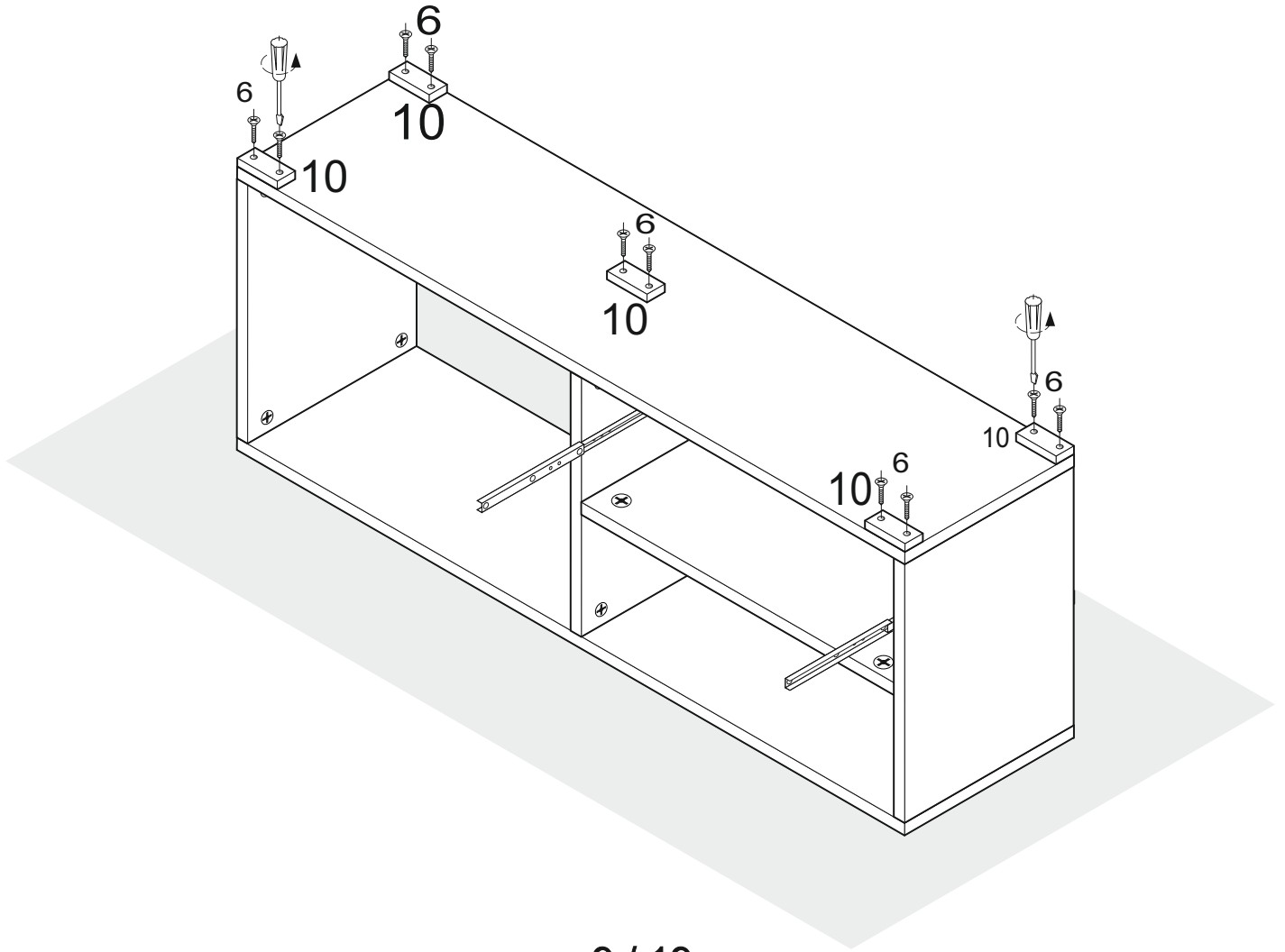
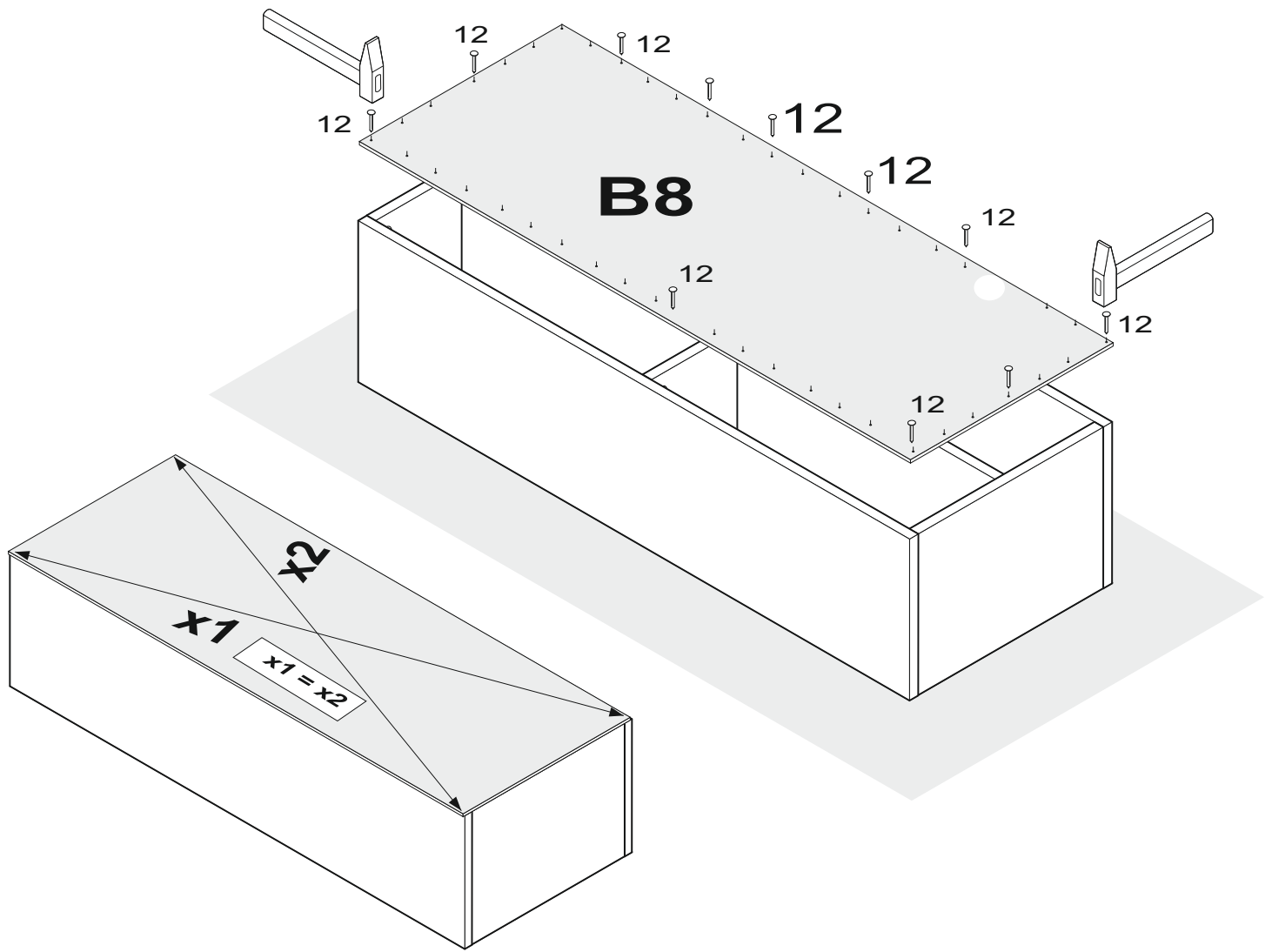
6

29

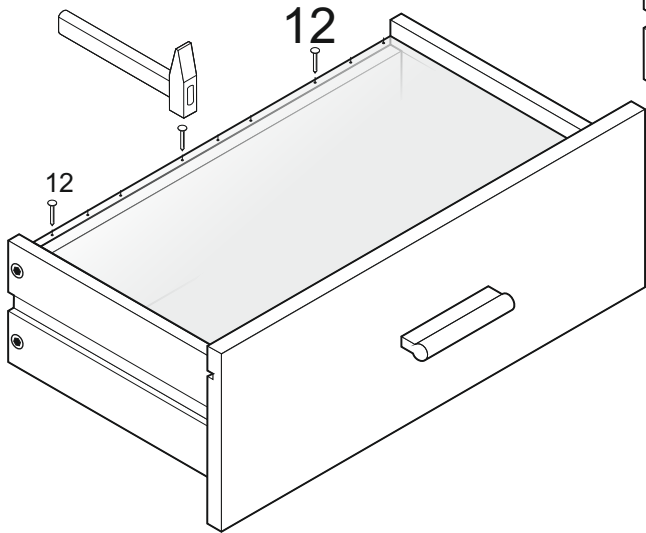
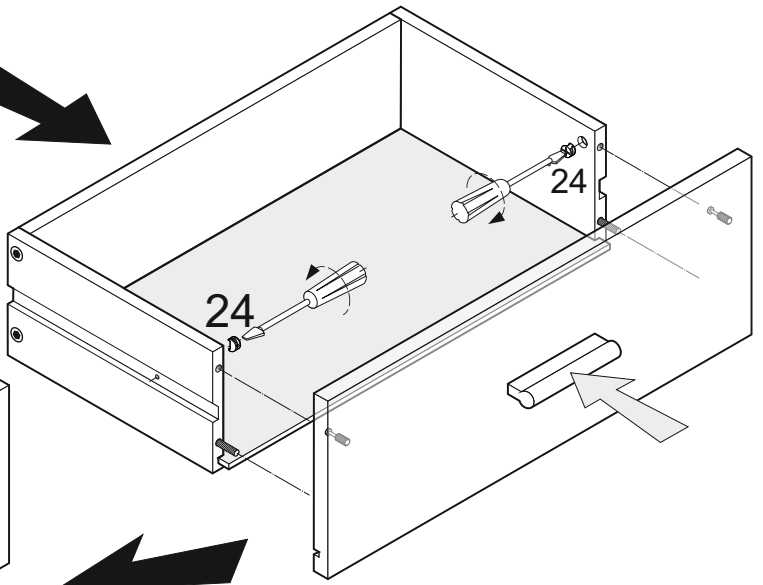
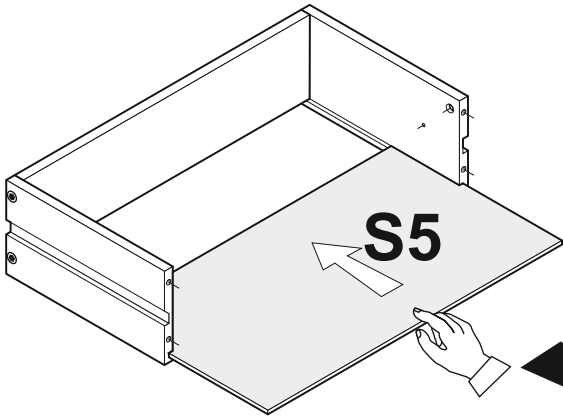
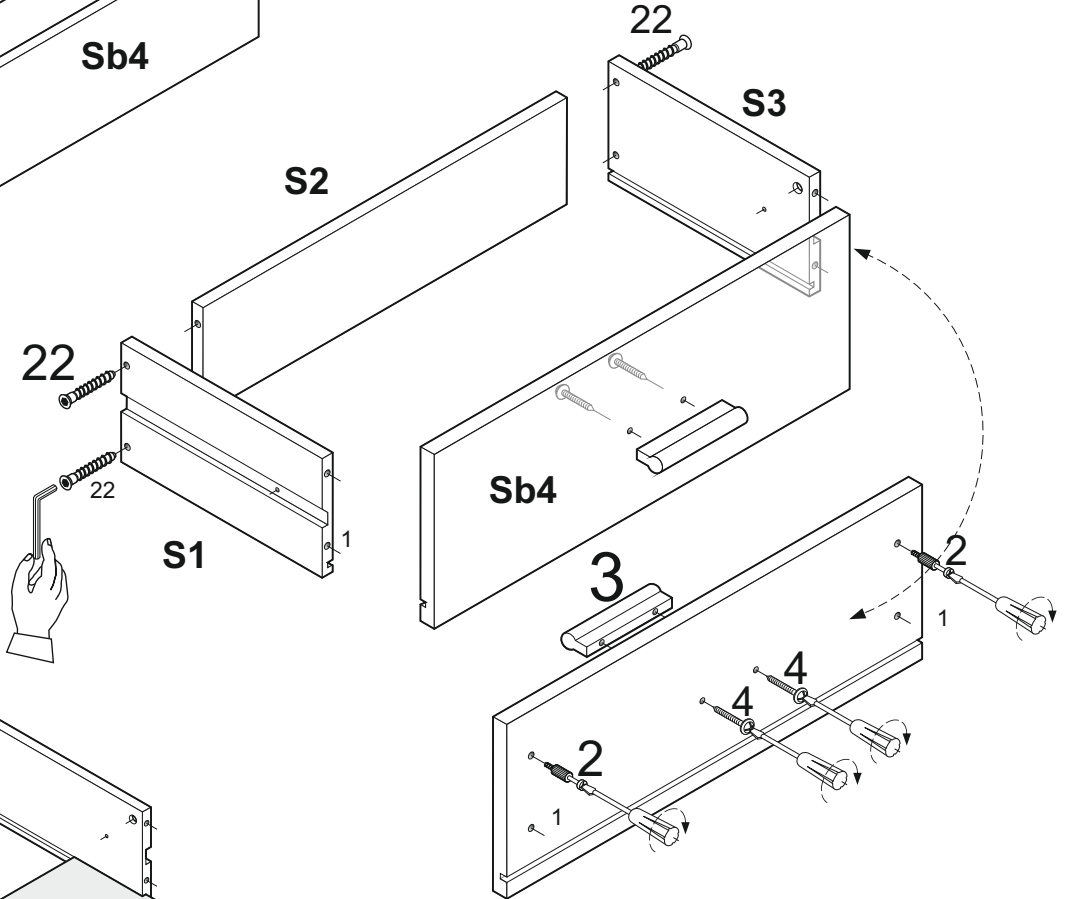
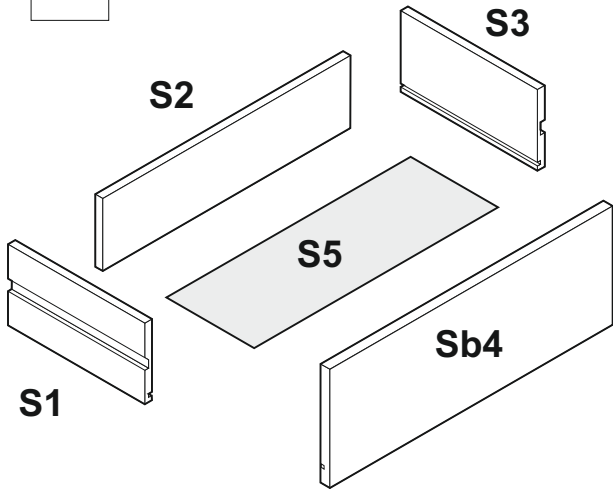
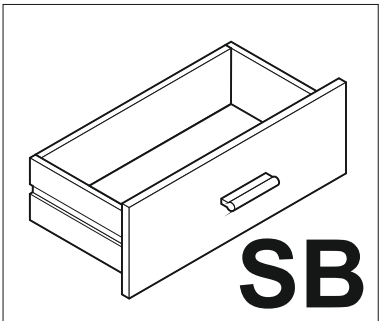


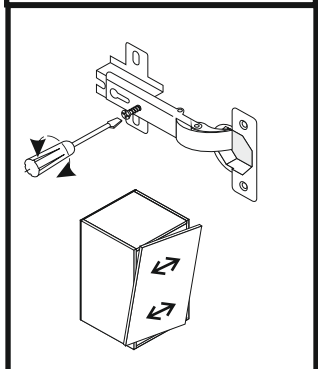
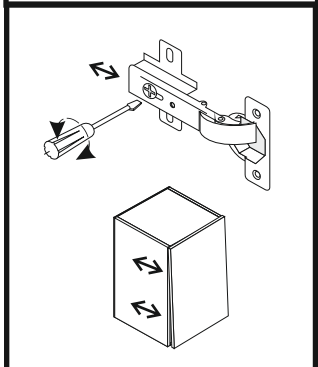
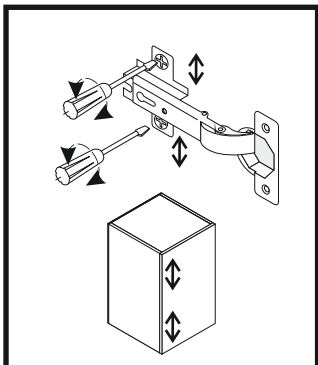
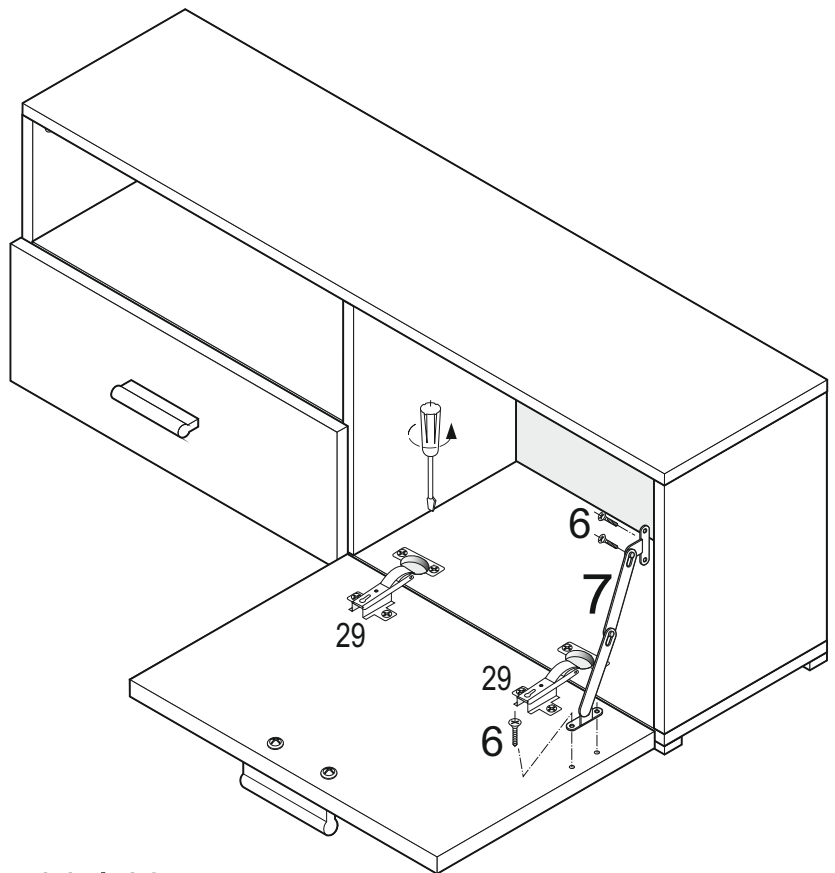
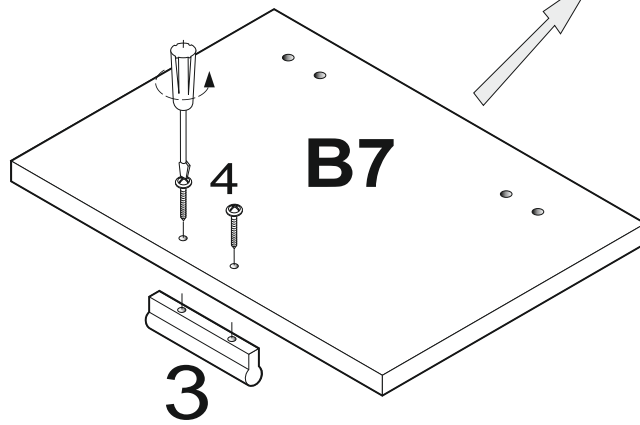
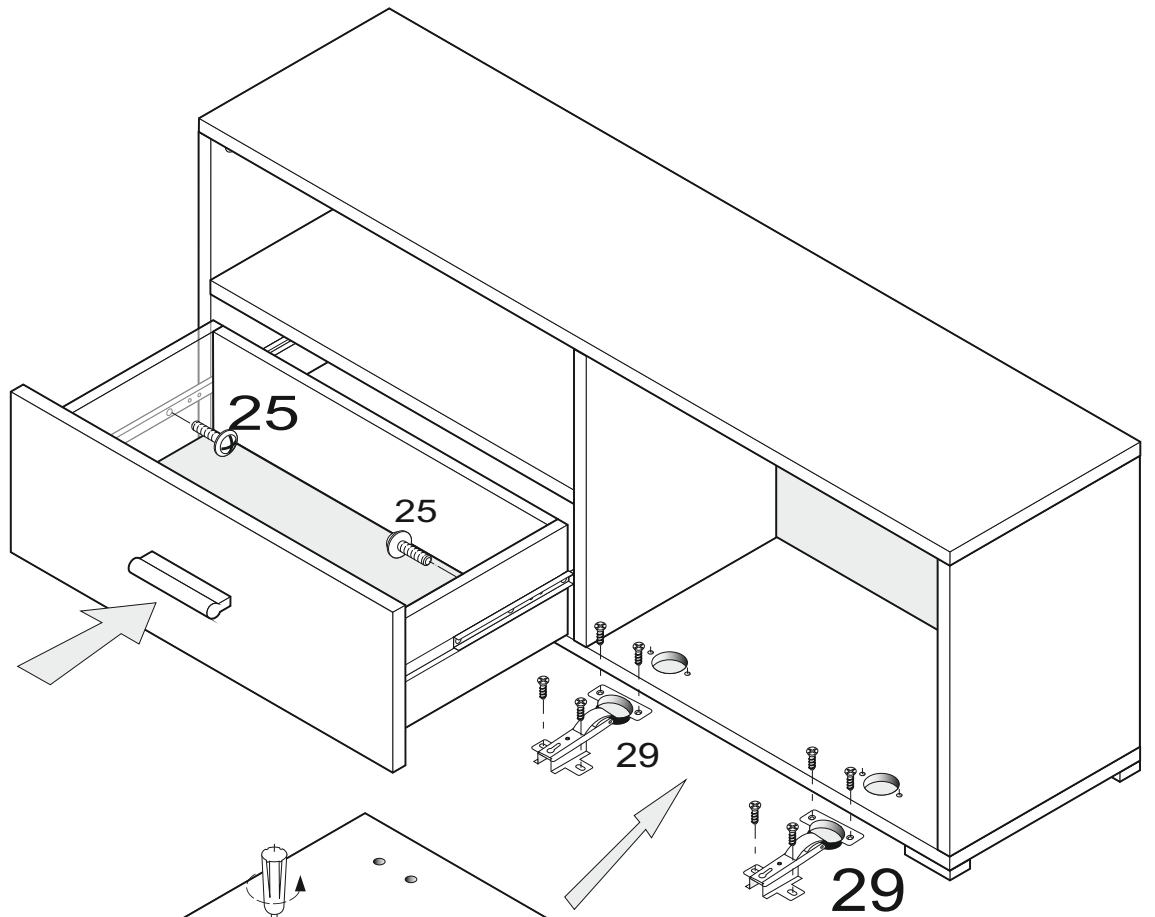


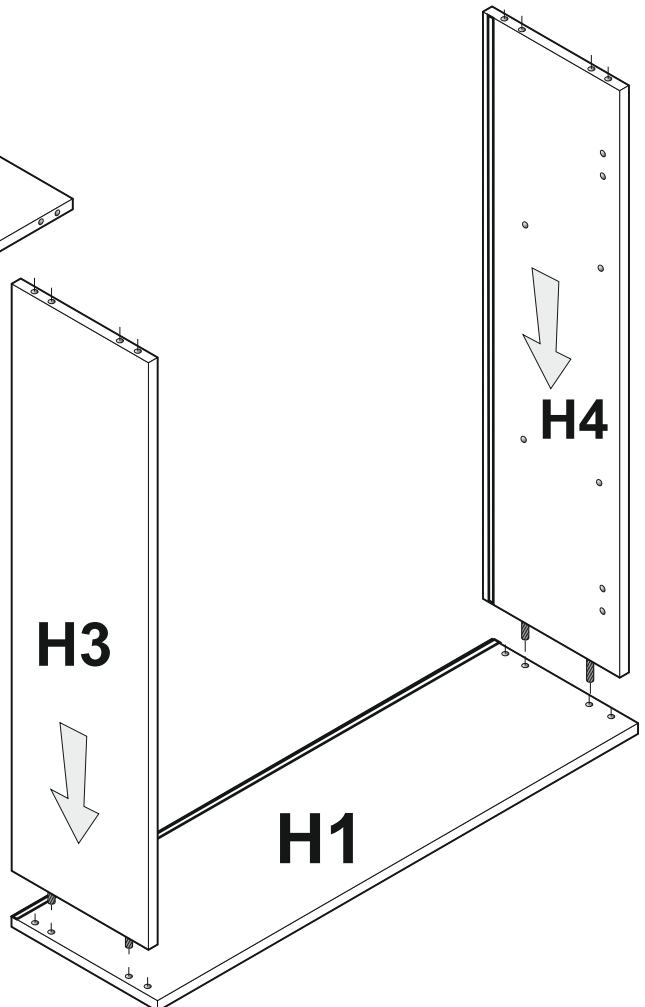
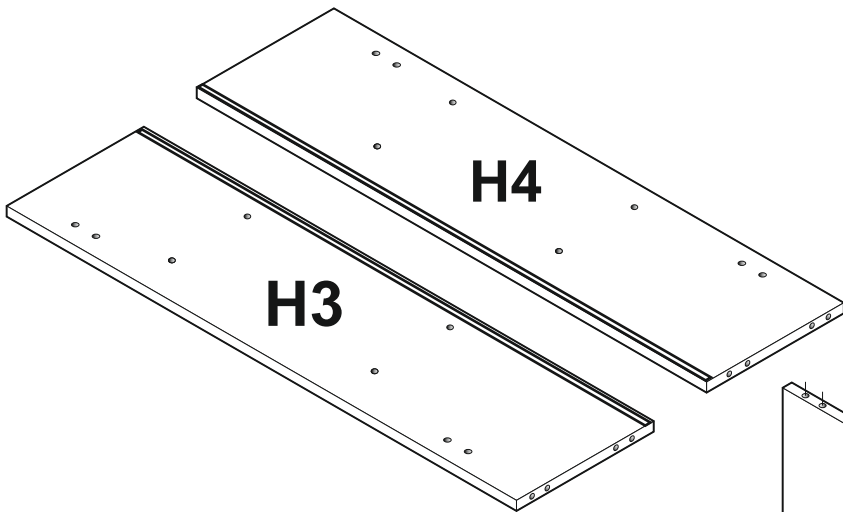
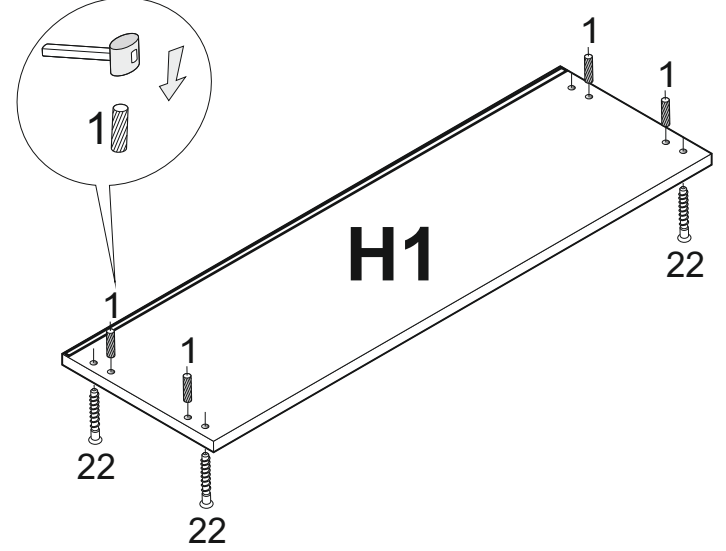
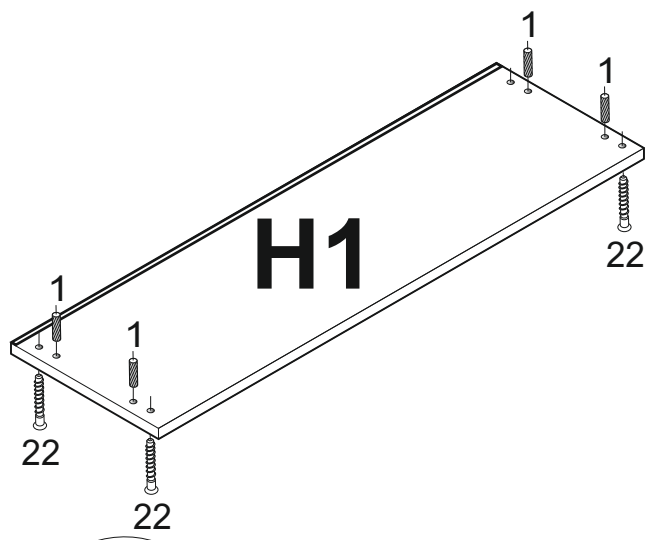
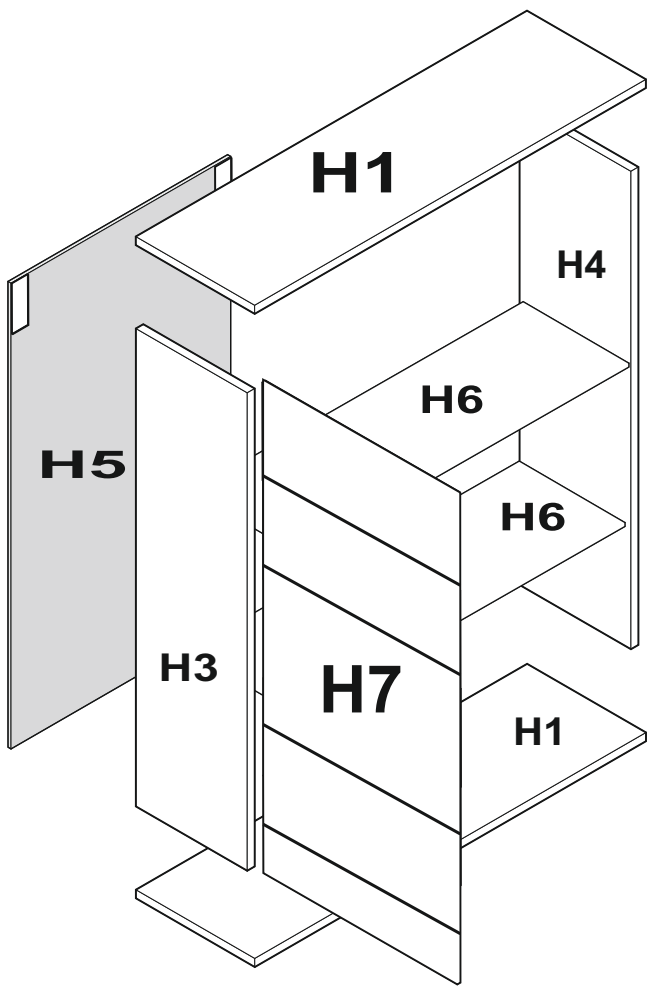


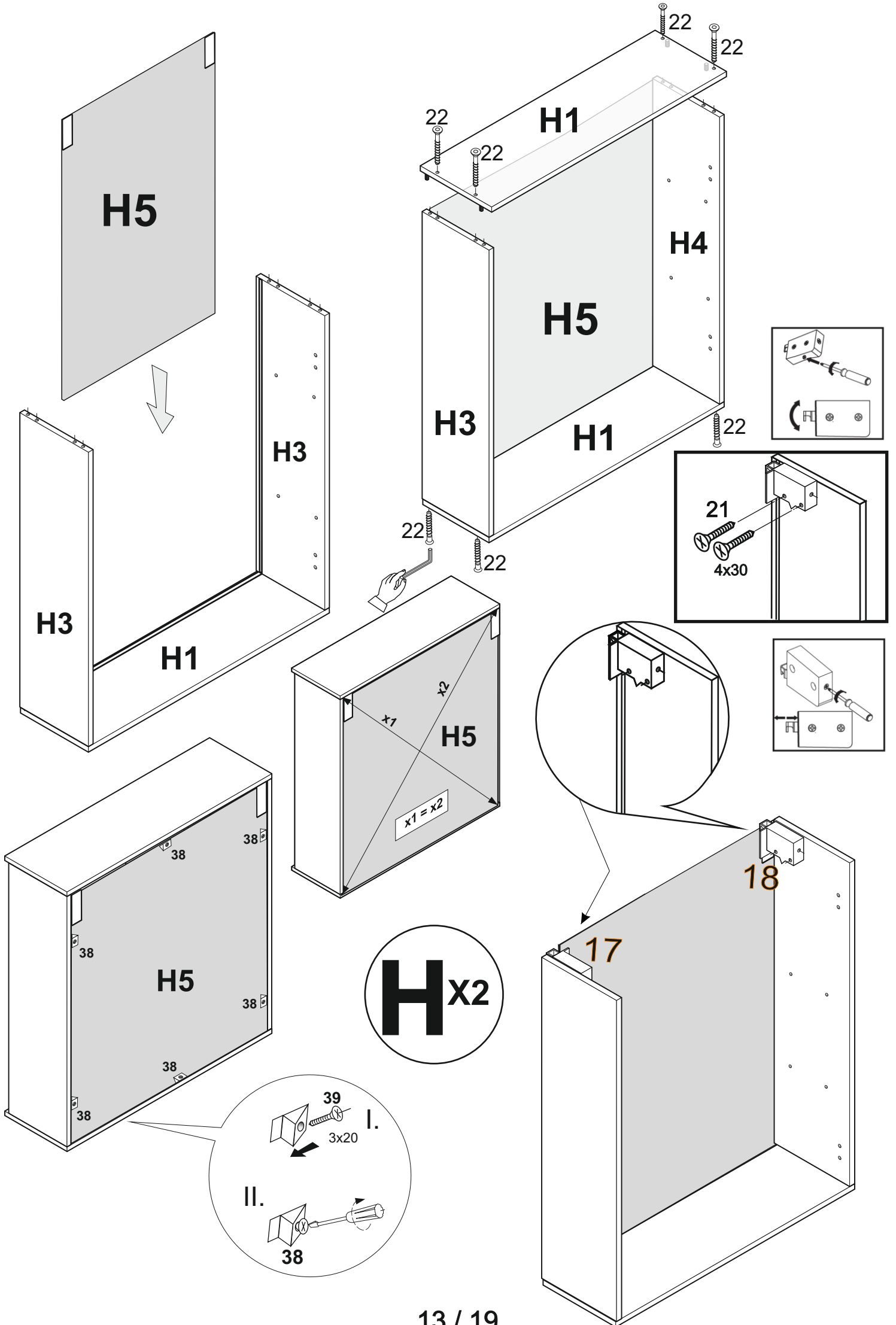


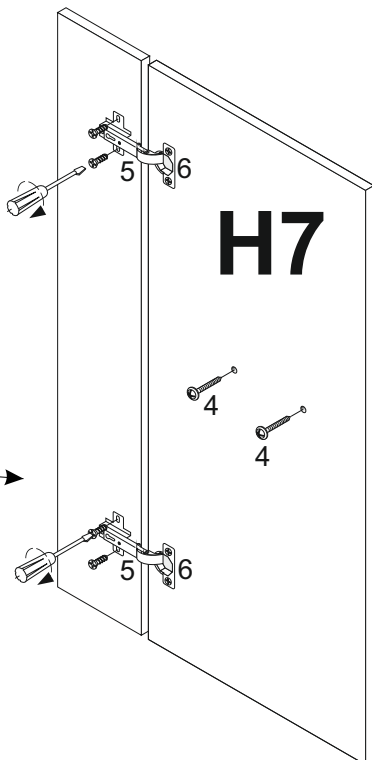
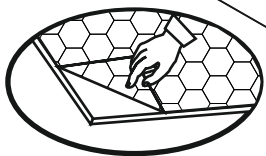
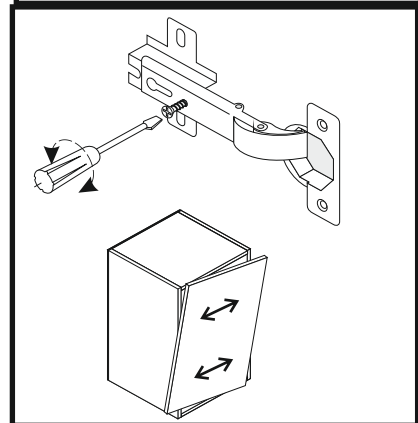
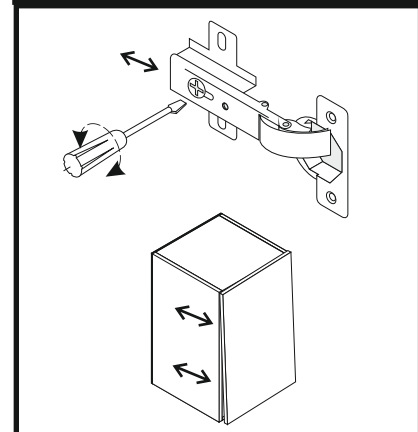
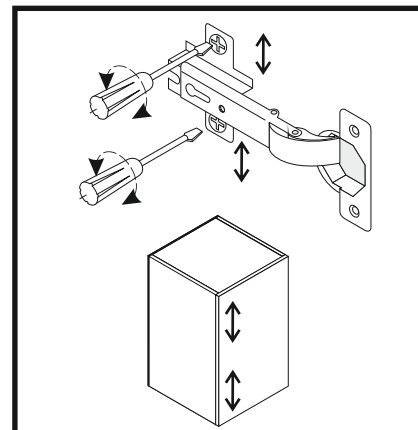
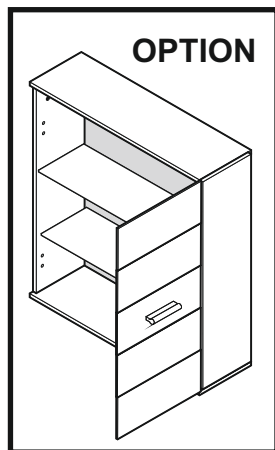
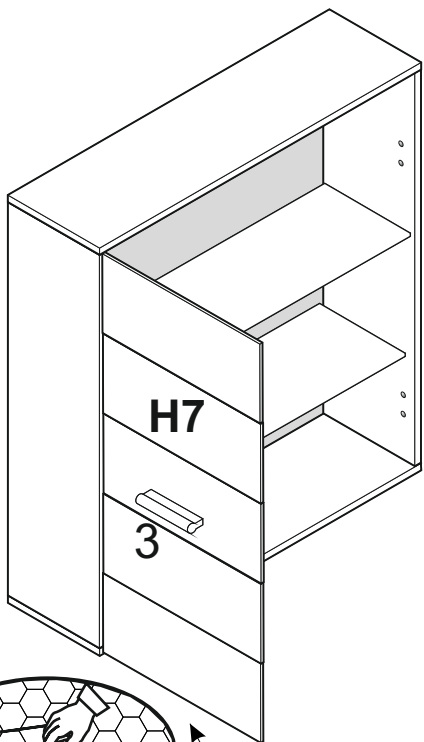
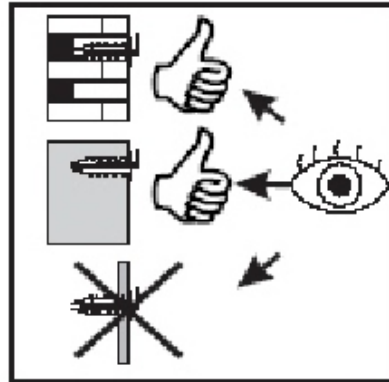
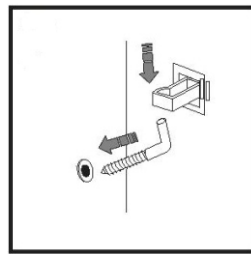
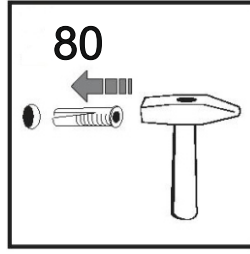
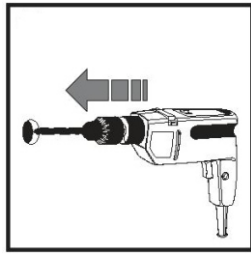
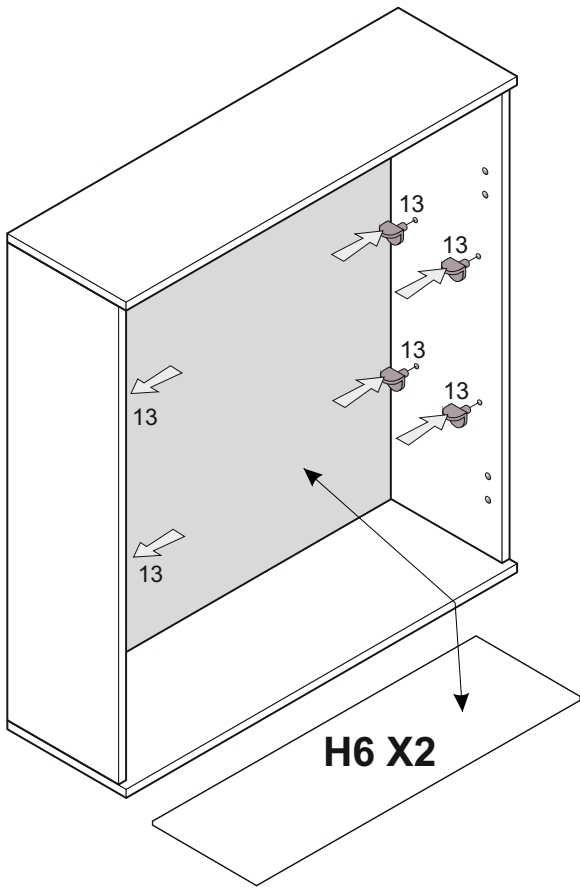
**B**

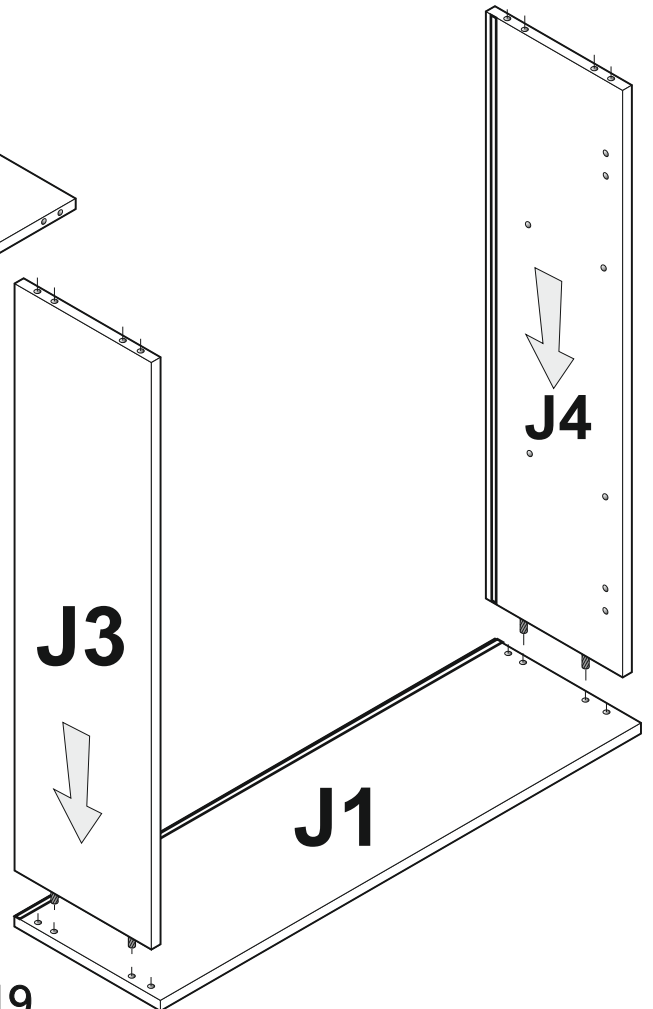
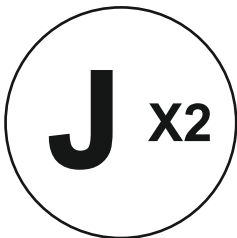
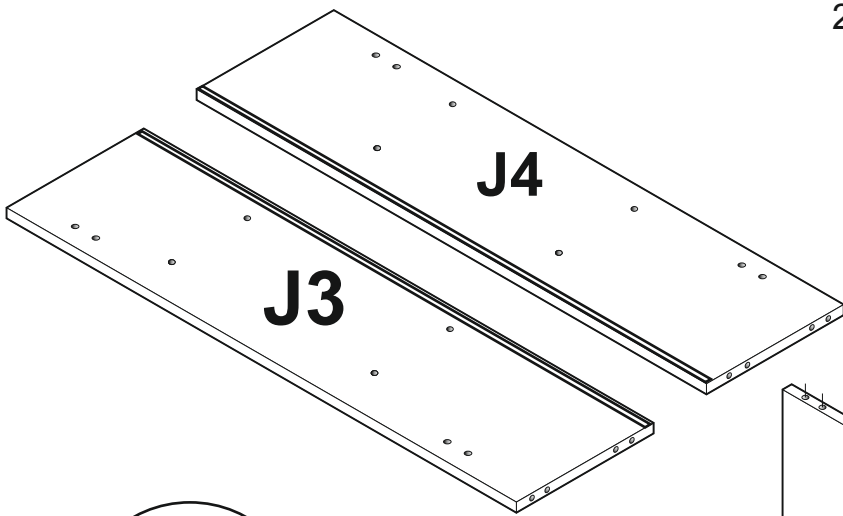
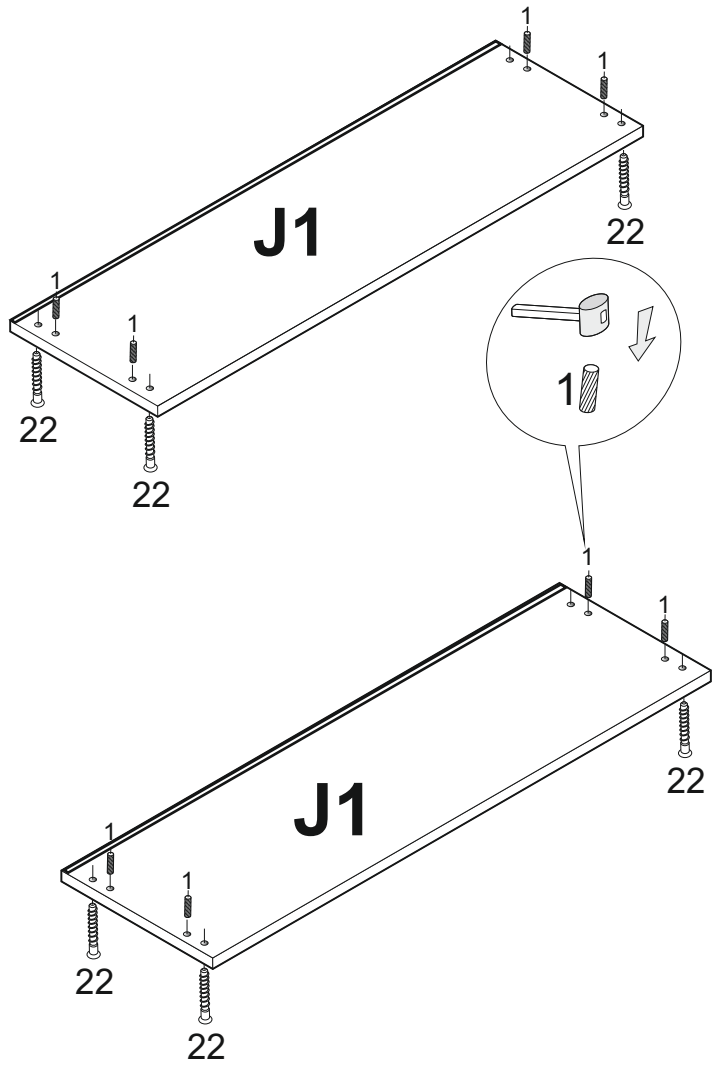
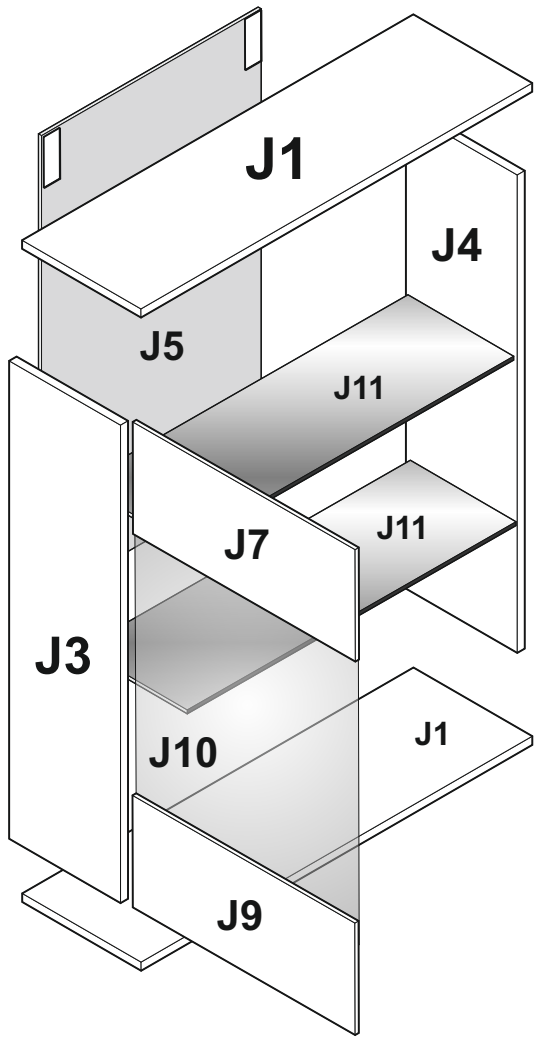


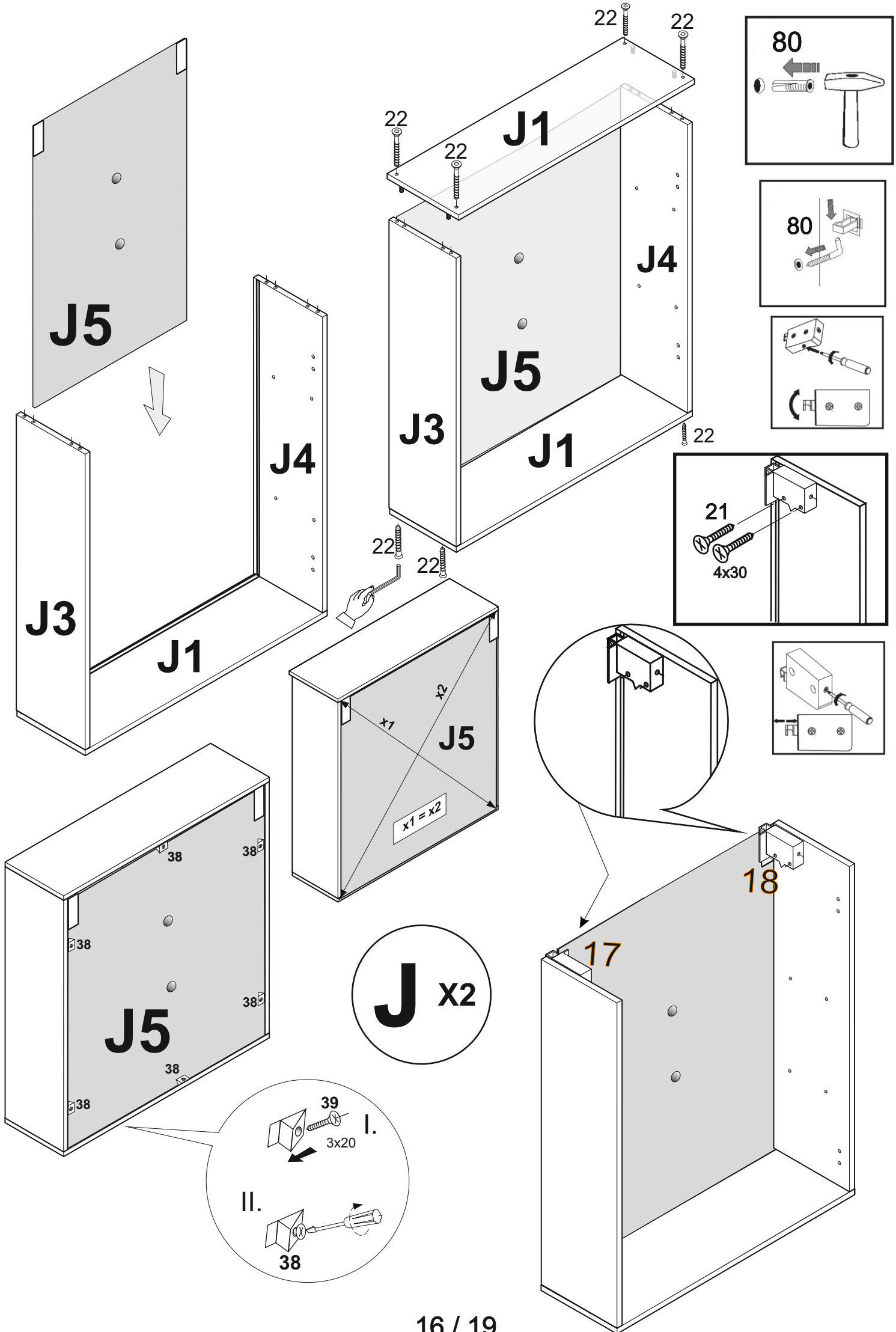




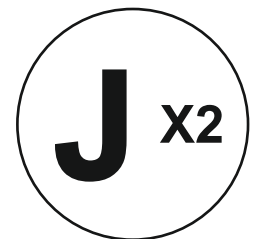
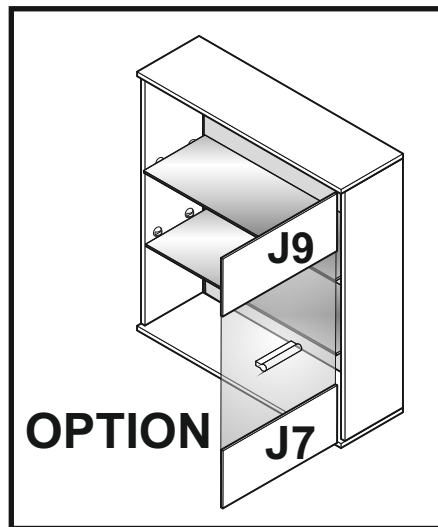
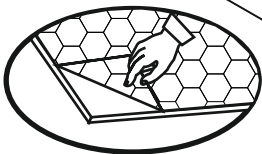
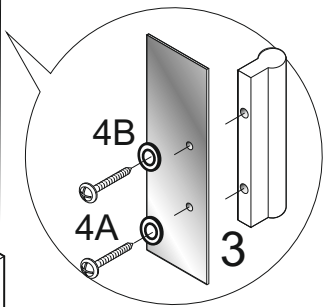
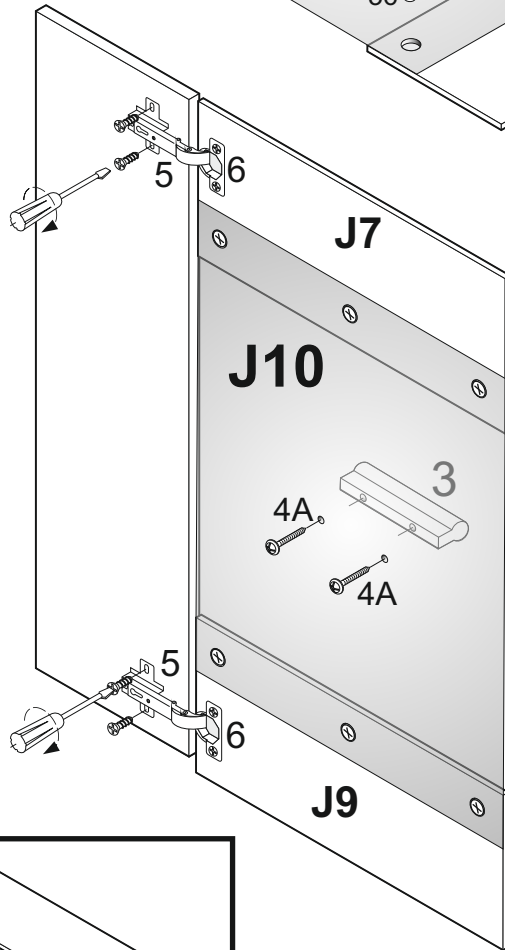
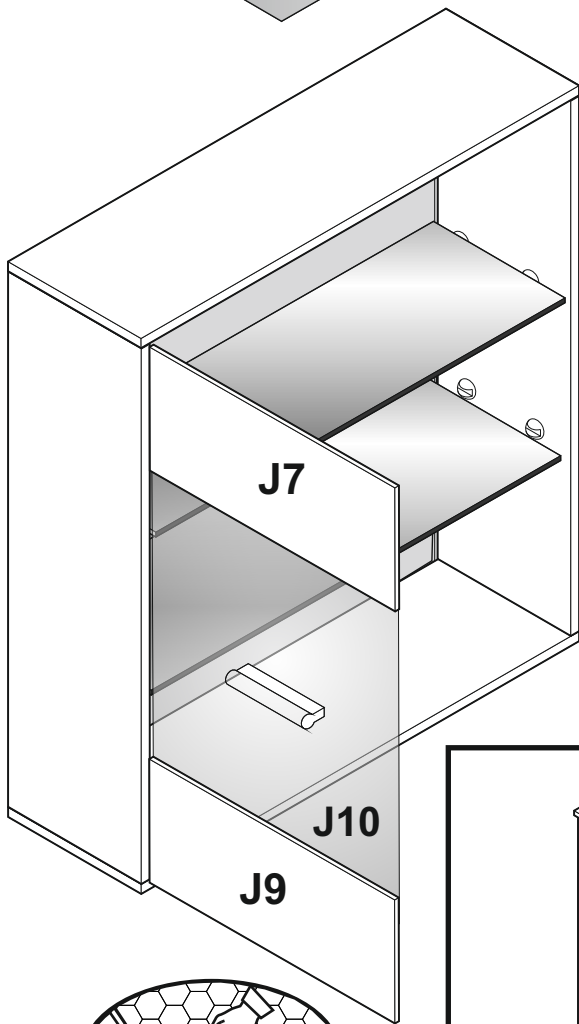
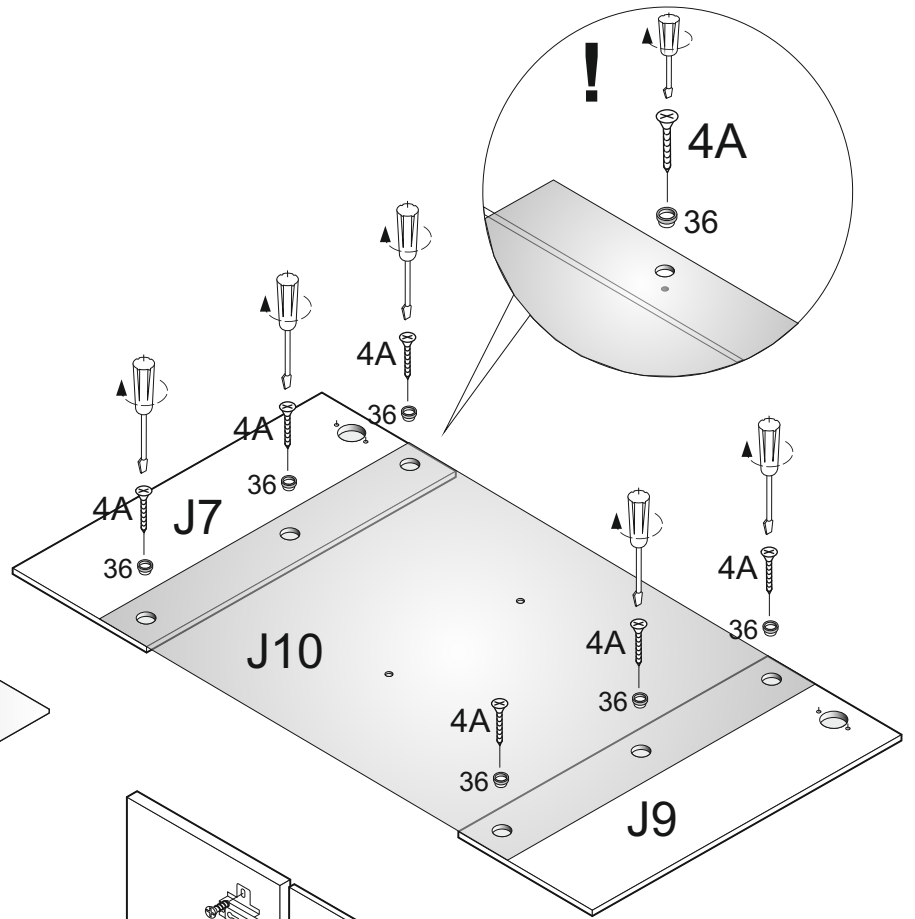
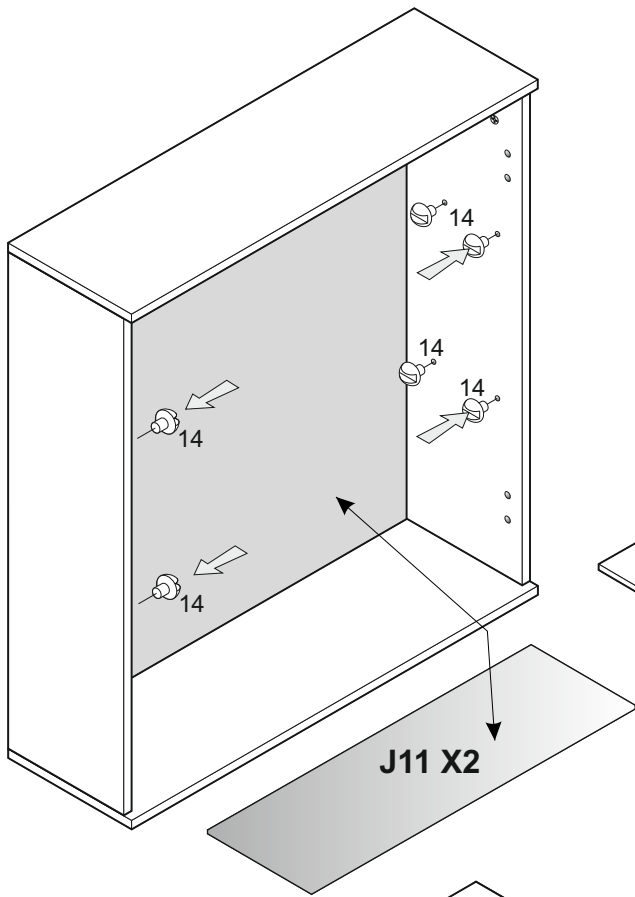


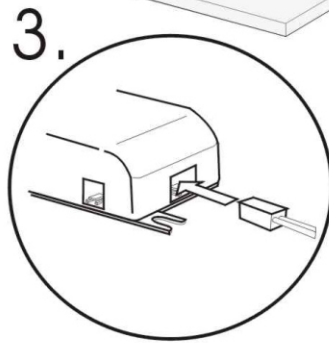
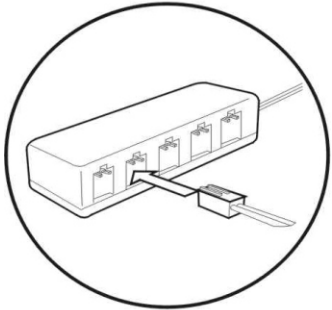
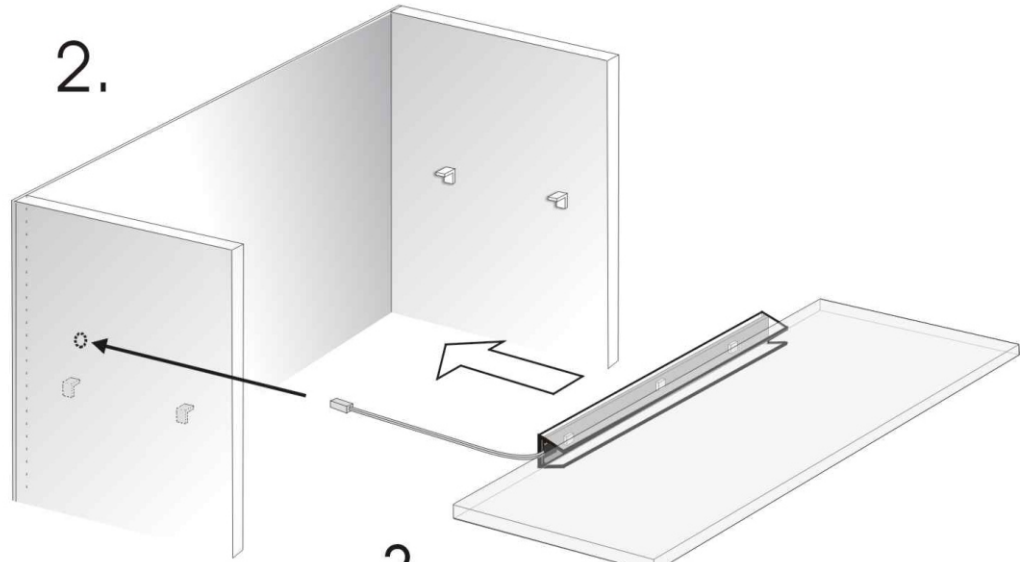
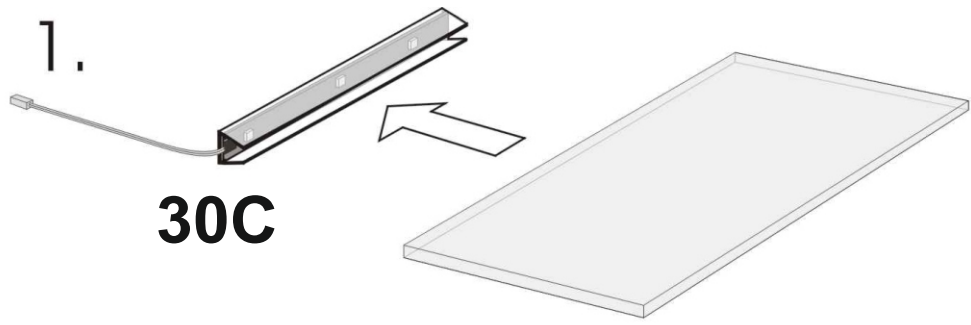












4.

**30A**

3.

**30B**

