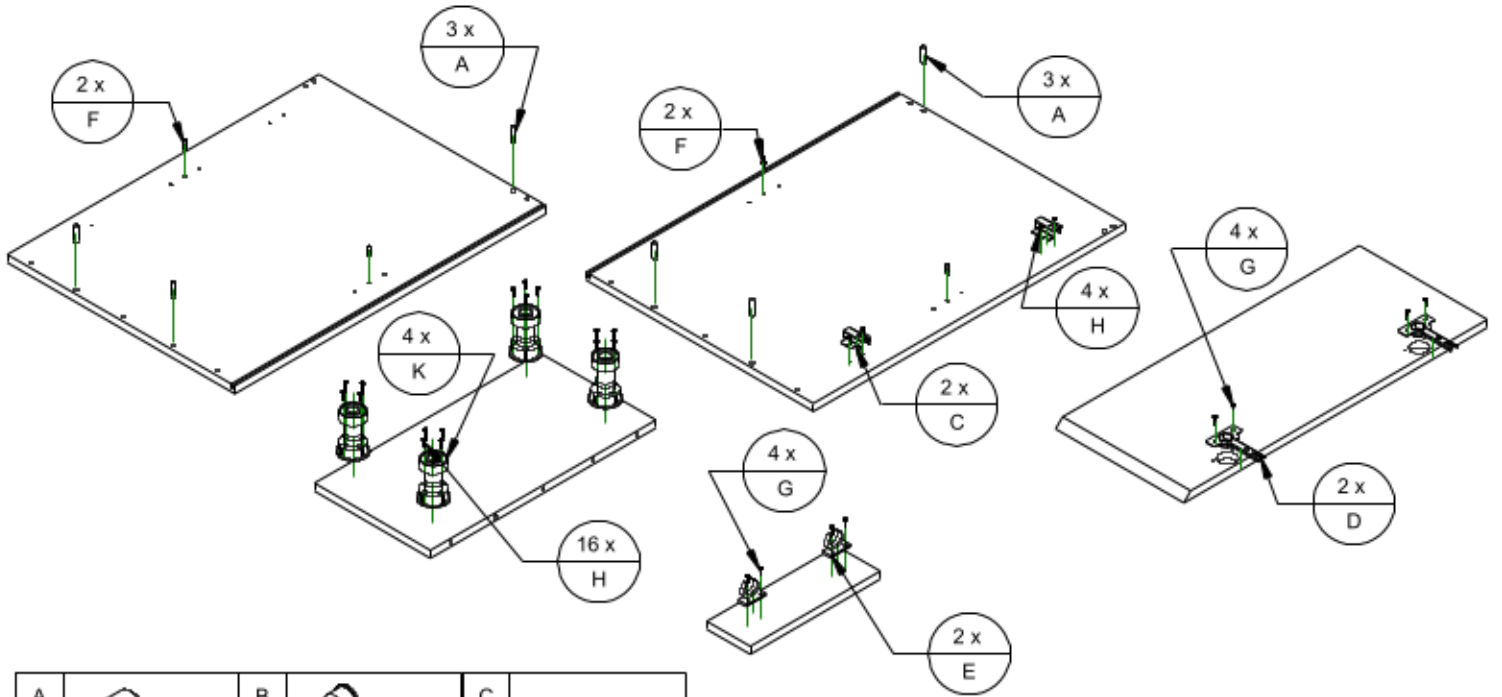








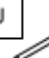

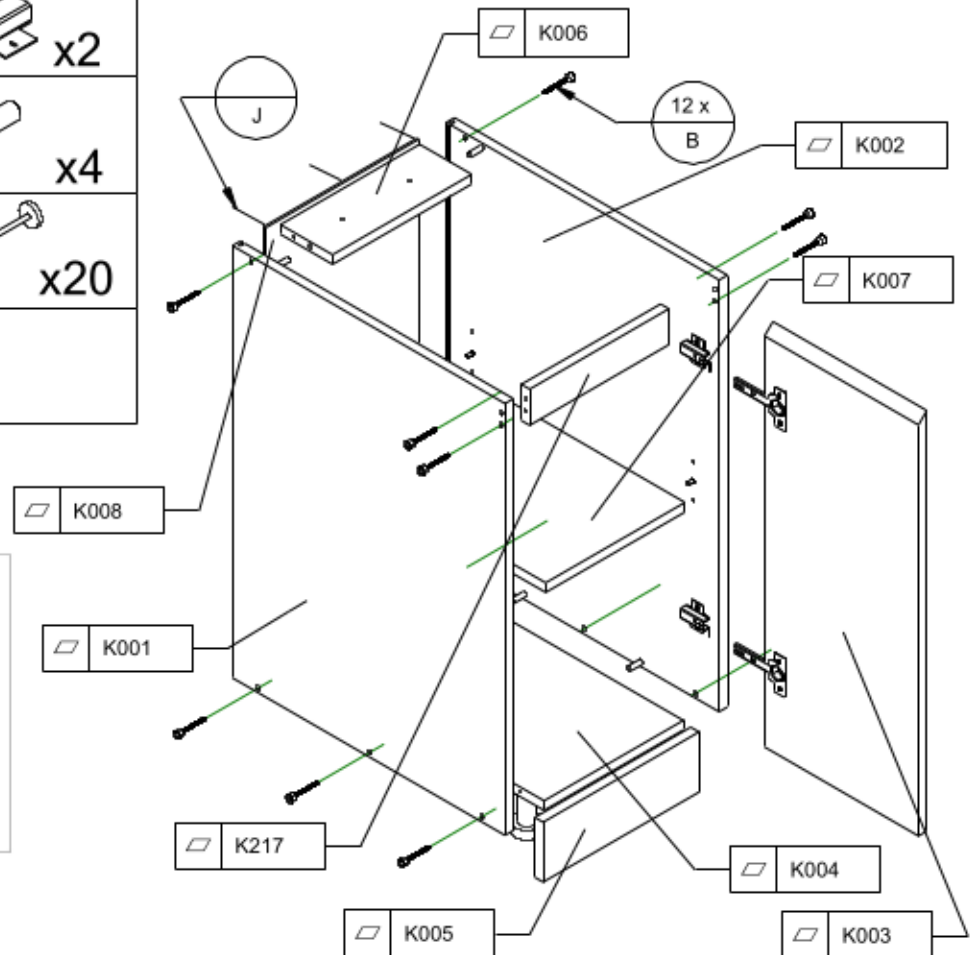
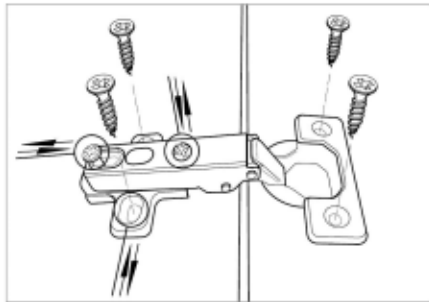


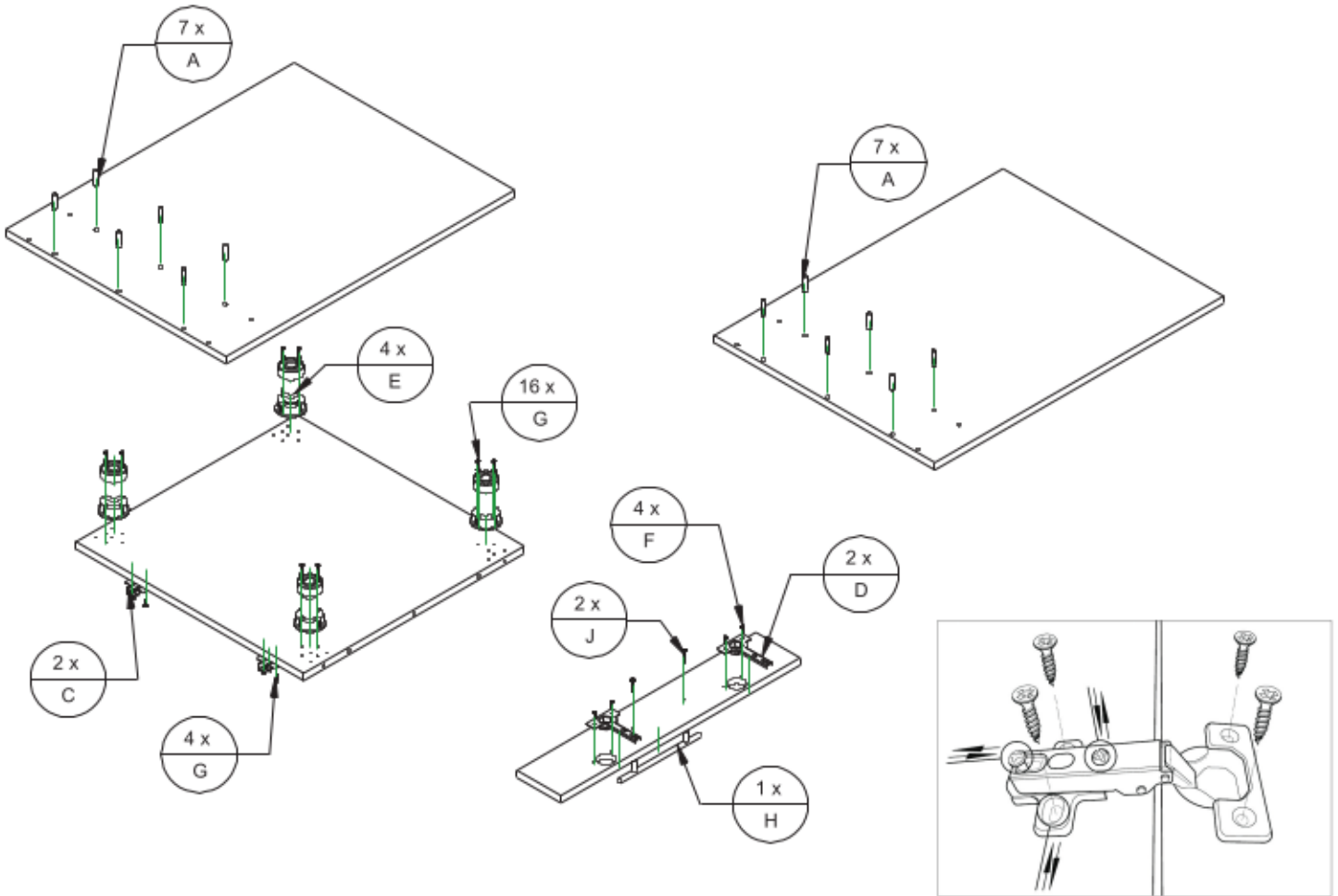
# D 30/40/60 1F

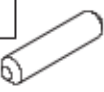


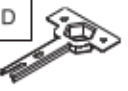



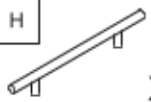



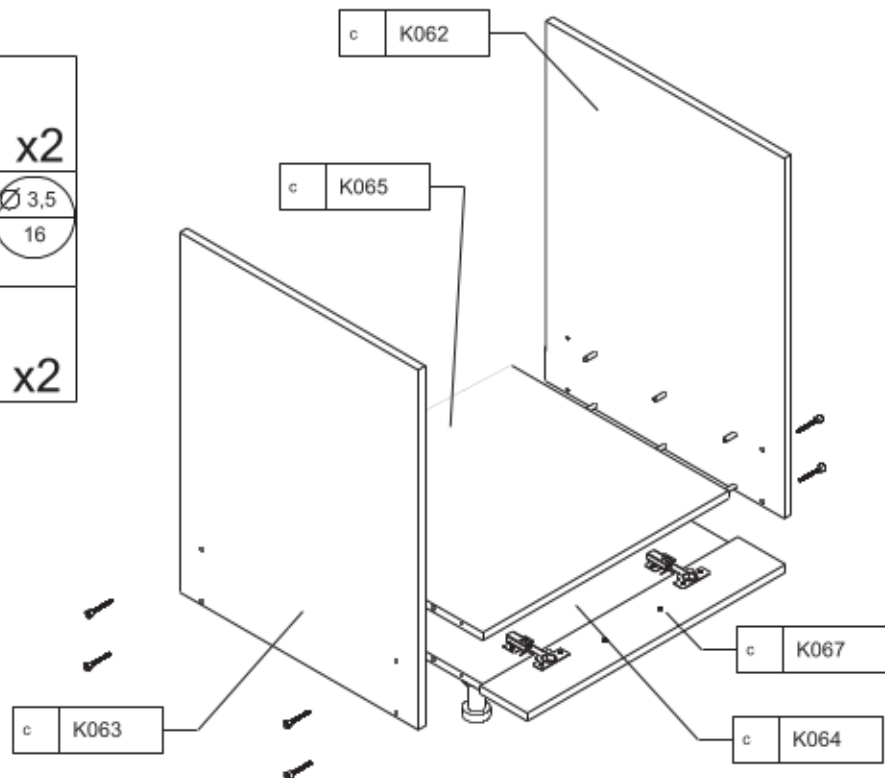
A	 x6	B	 x12	C	 x2
D	 x2	E	 x2	F	 x4
G	 $\varnothing 3,5$ 16 x8	H	 $\varnothing 4$ 16 x20	J	 x20
K	 x4	L		M	



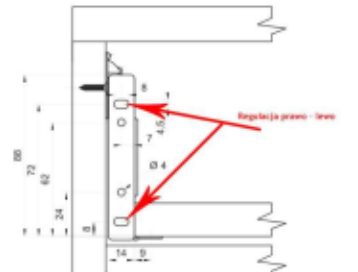
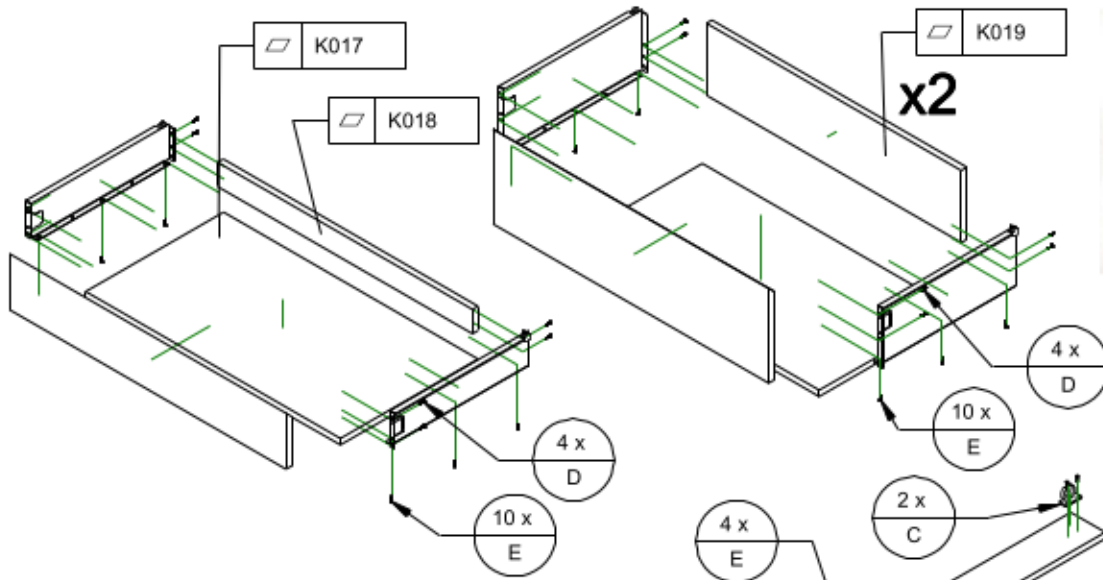
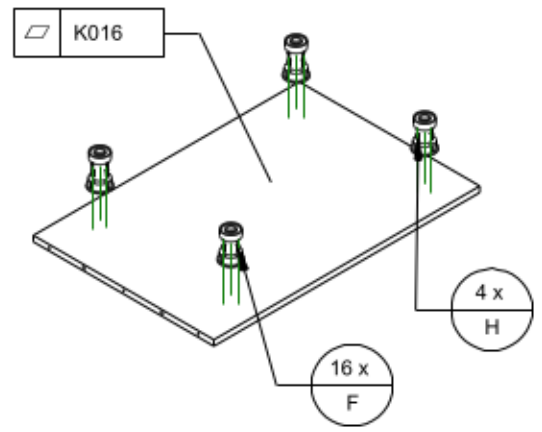
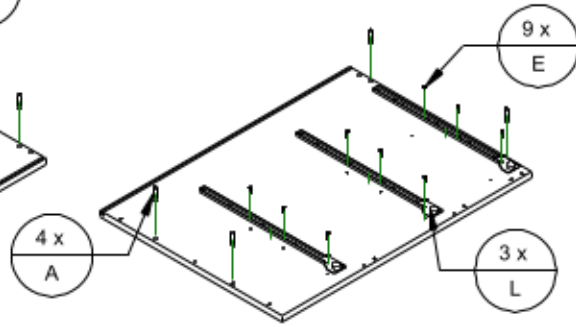
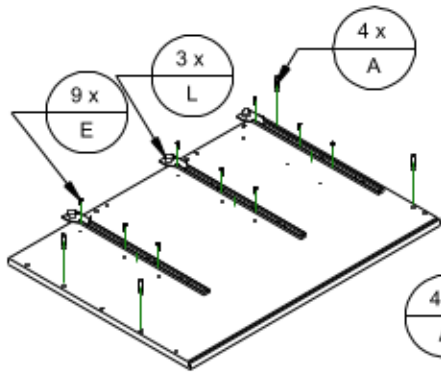
# D 60 ku

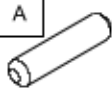




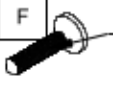


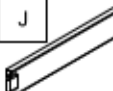
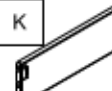



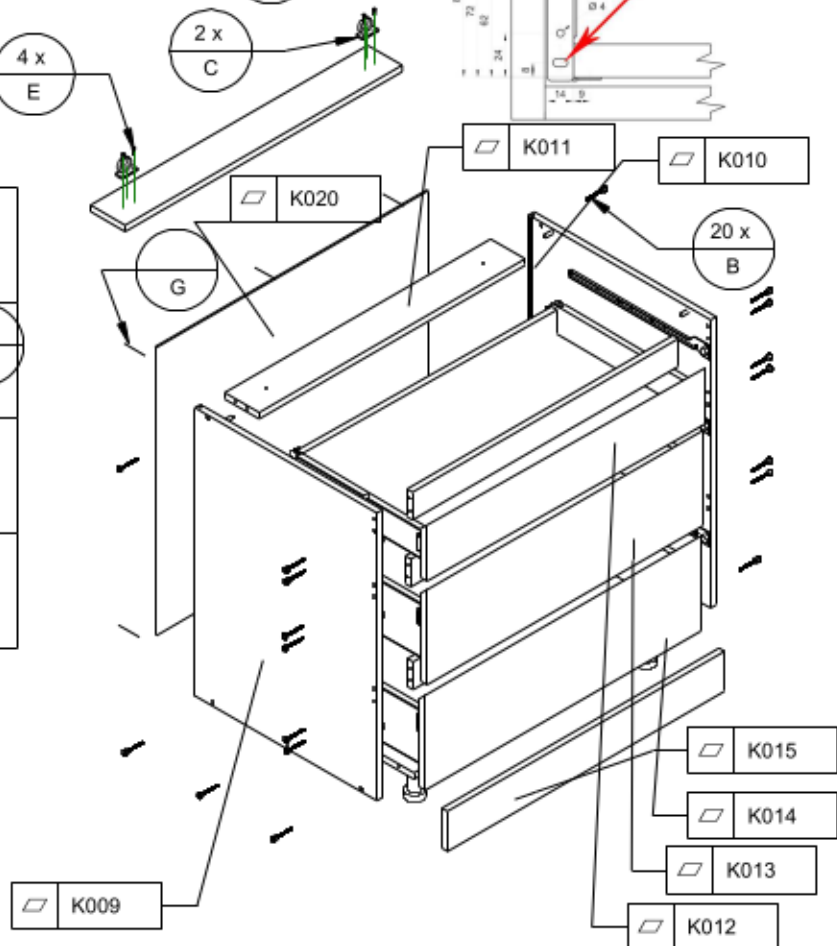
A		B		C	
	x14		x10		x2
D		E		F	
	x2		x4		$\varnothing 3,5$ x4
G		H		J	
	$\varnothing 4$ x20		x1		x2



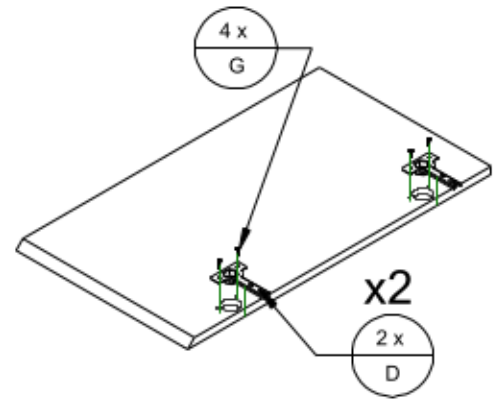
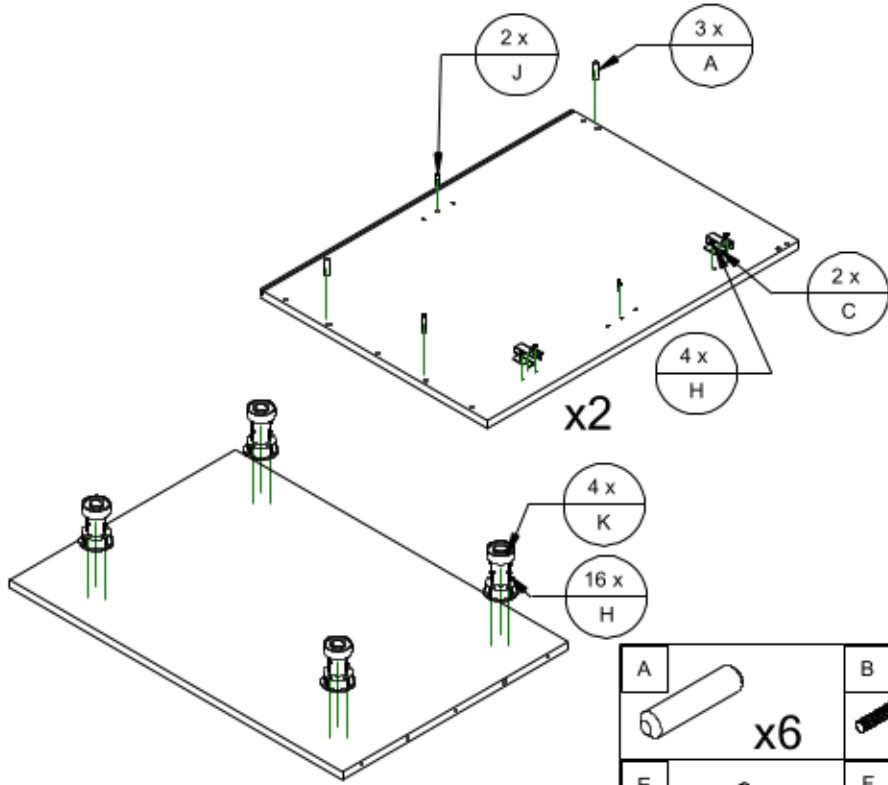
# D 80 3sz



A	B	C
 x6	 x20	 x2
D	E	F
 x12	 x52	 x16
G	H	J
 x20	 x4	 x2
K	L	M
 x4	 x6	

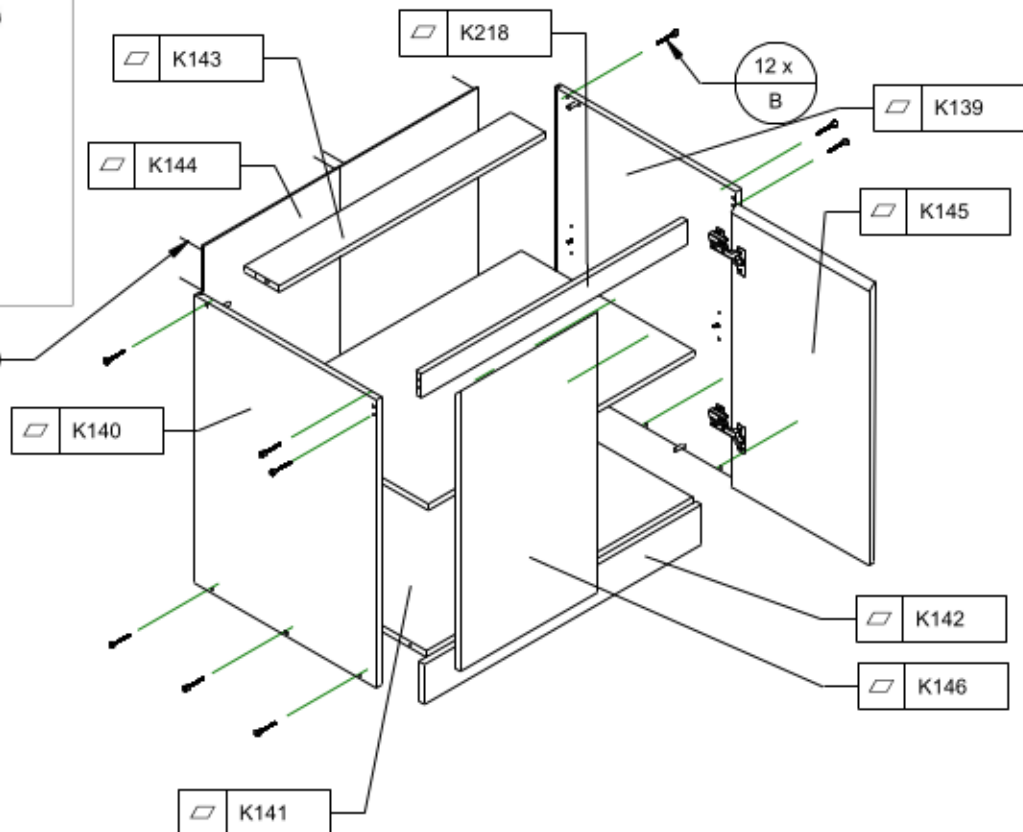
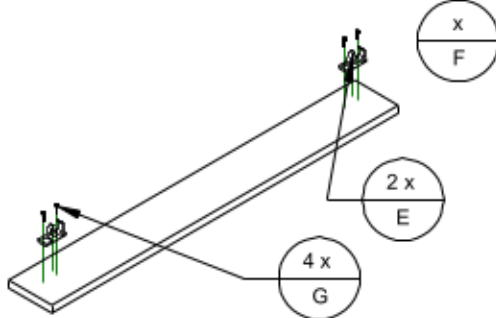
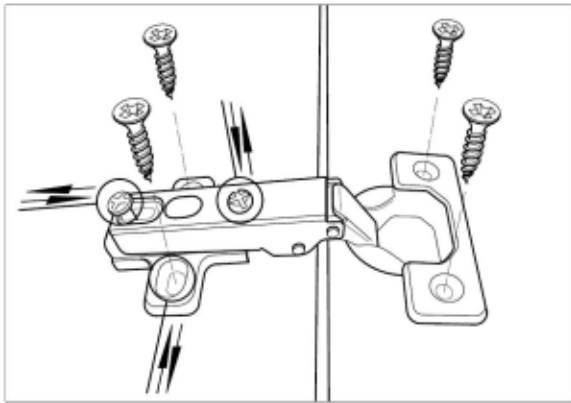


# D 80

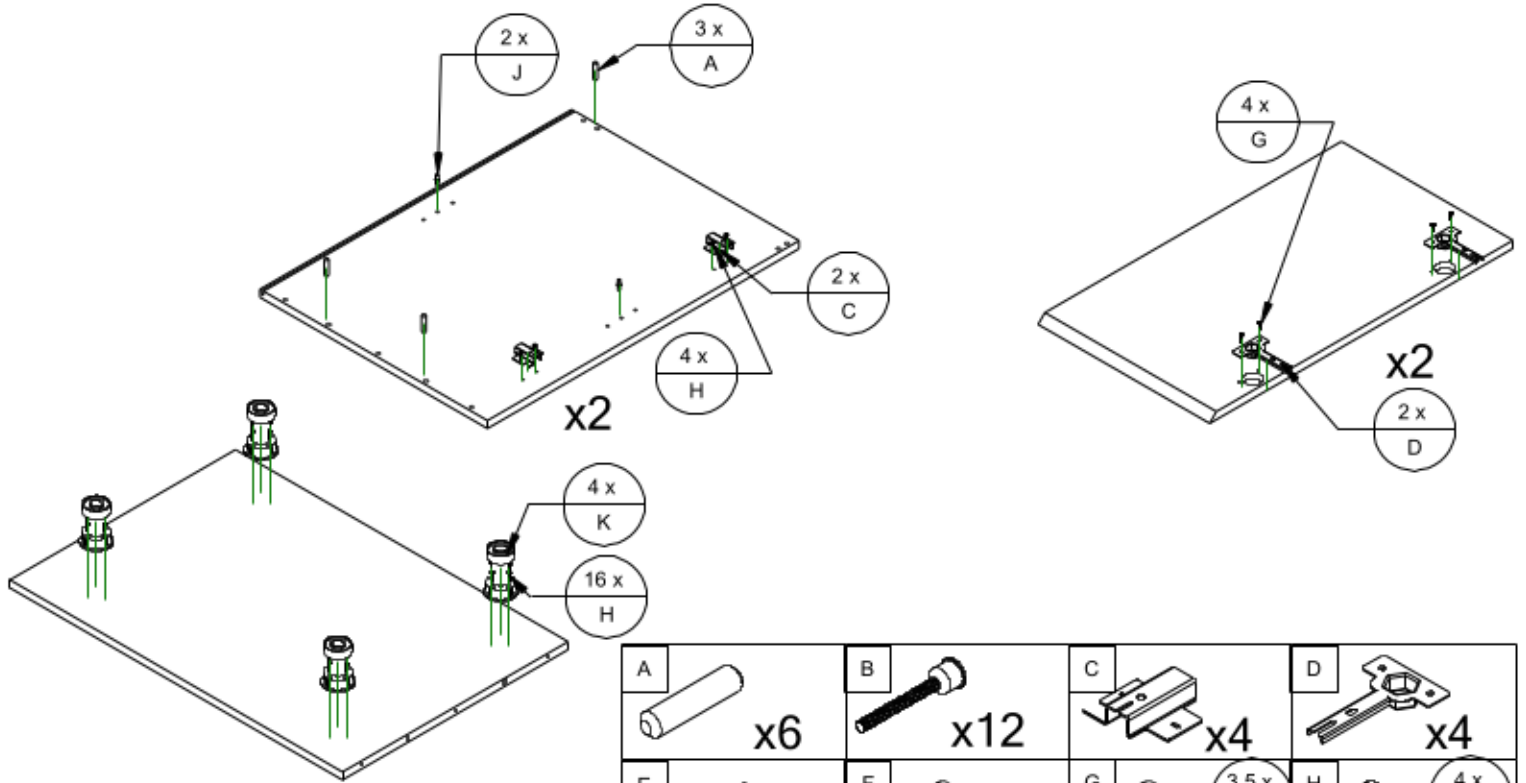









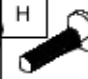


A x6	B x12	C x4	D x4
E x2	F x35	G x8	H x28
J x4	K x4	L	M

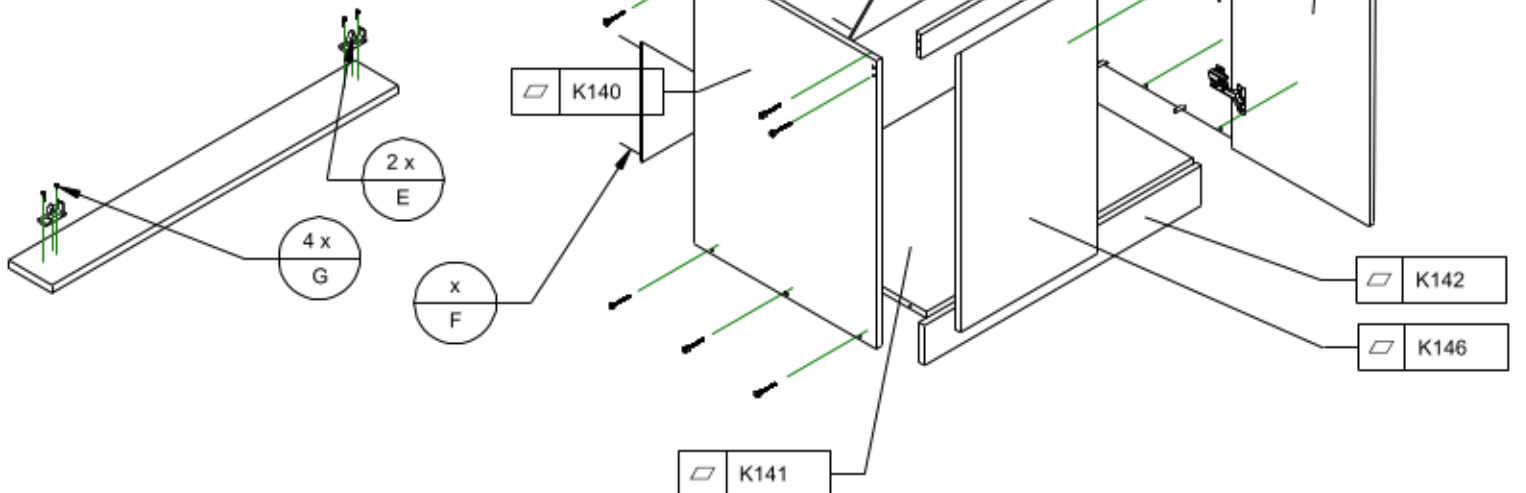
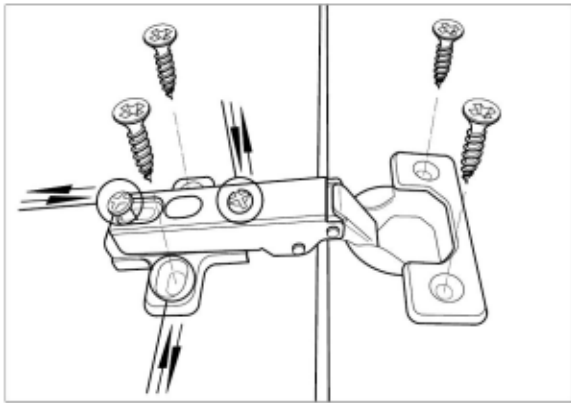
Additional callouts in the table: 3.5 x 16 (near G), 4 x 16 (near H)



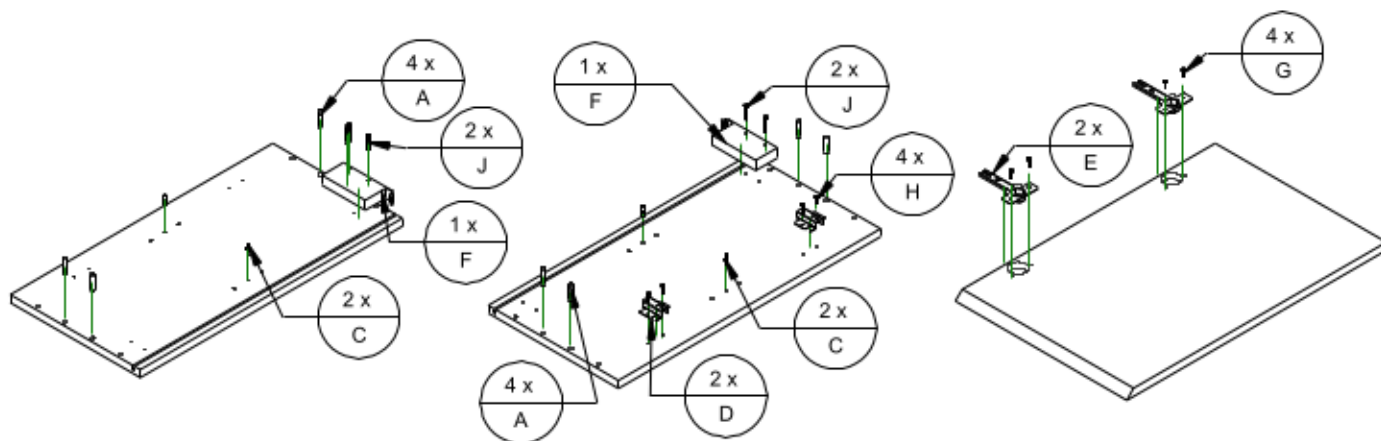
# D 80ZL

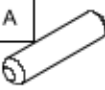
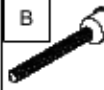
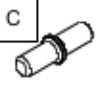
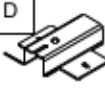


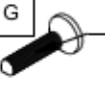
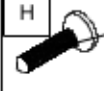



A	B	C	D
 x6	 x12	 x4	 x4
E	F	G	H
 x2	 x15	 x8	 x28
J	K	L	M
 x4	 x4		



# G30/40/60 1F



A		x8	B		x8	C		x4
D		x2	E		x2	F		x2
G		$\varnothing 3,5$ 16 x4	H		$\varnothing 4$ 16 x4	J		$\varnothing 4$ 30 x4

