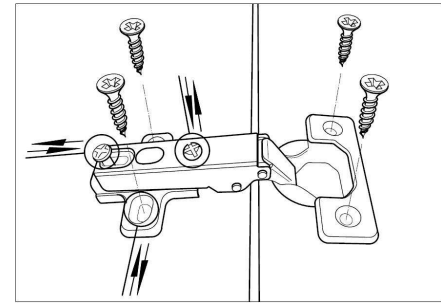
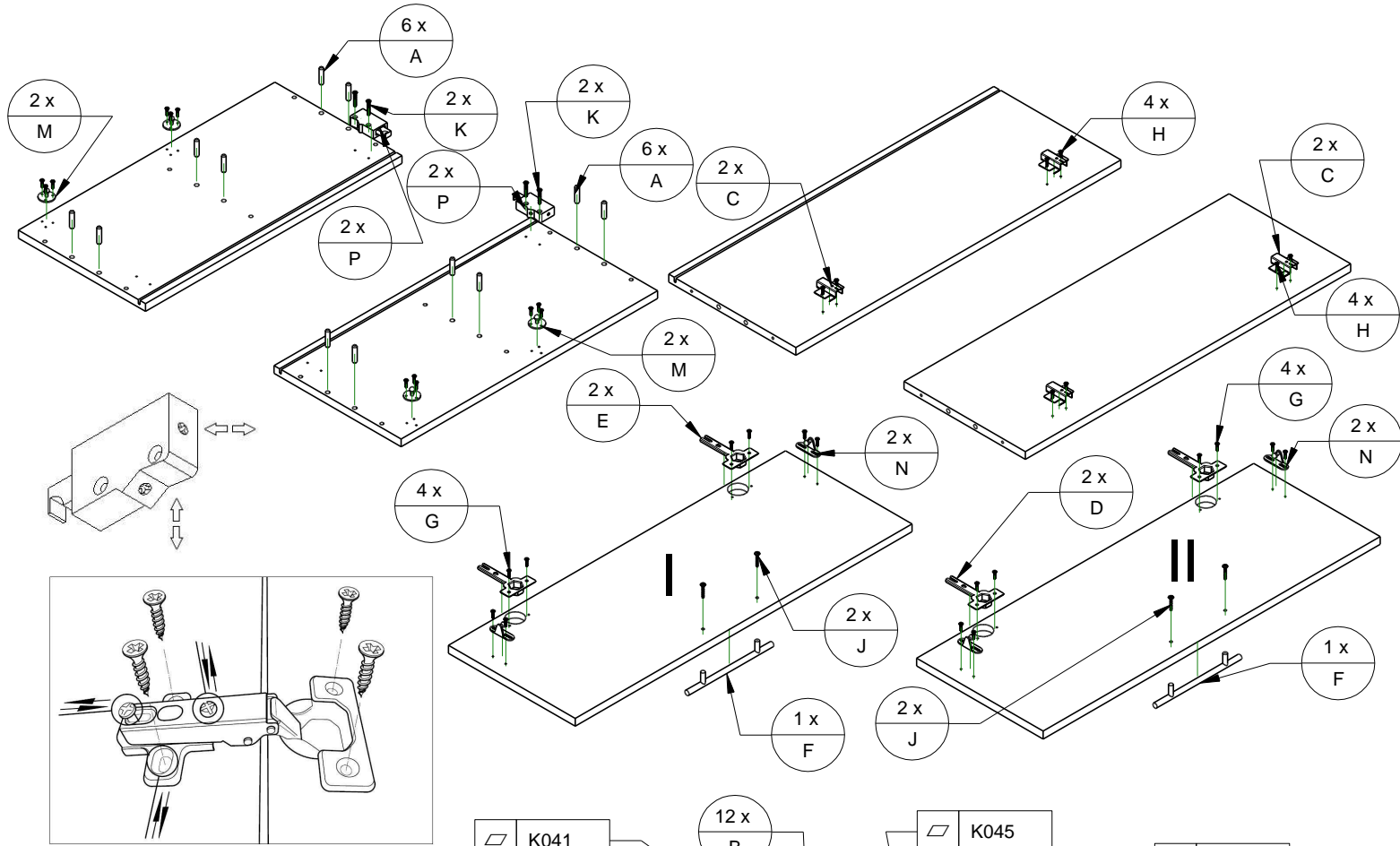
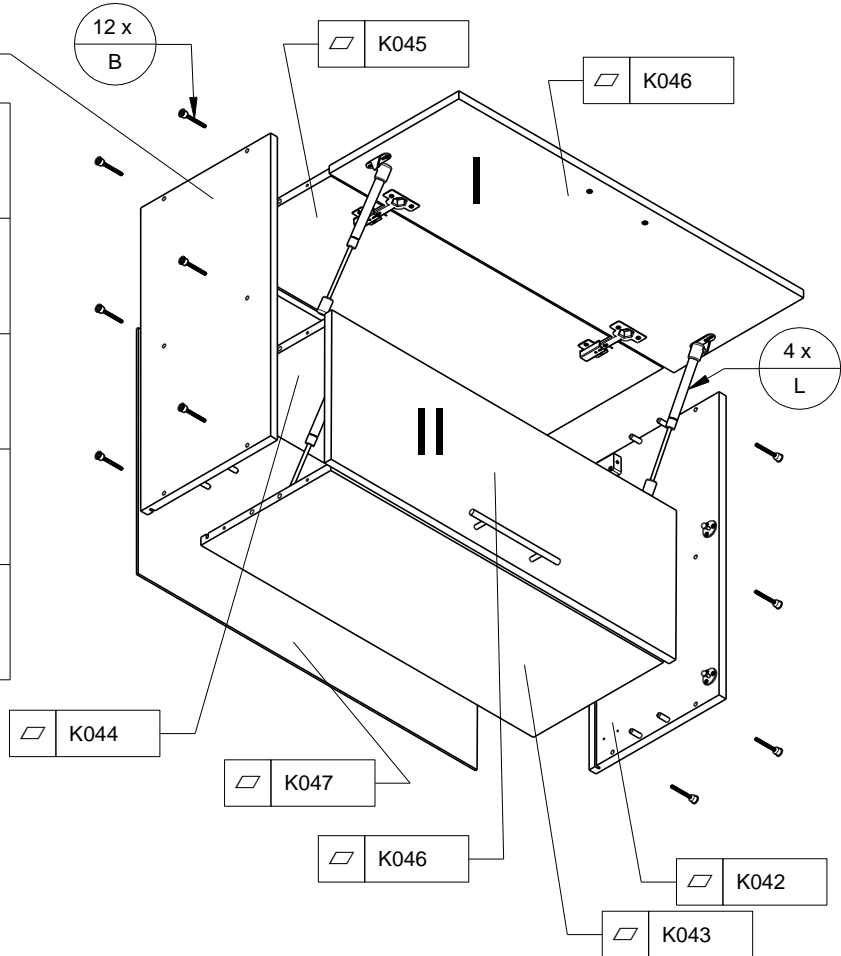


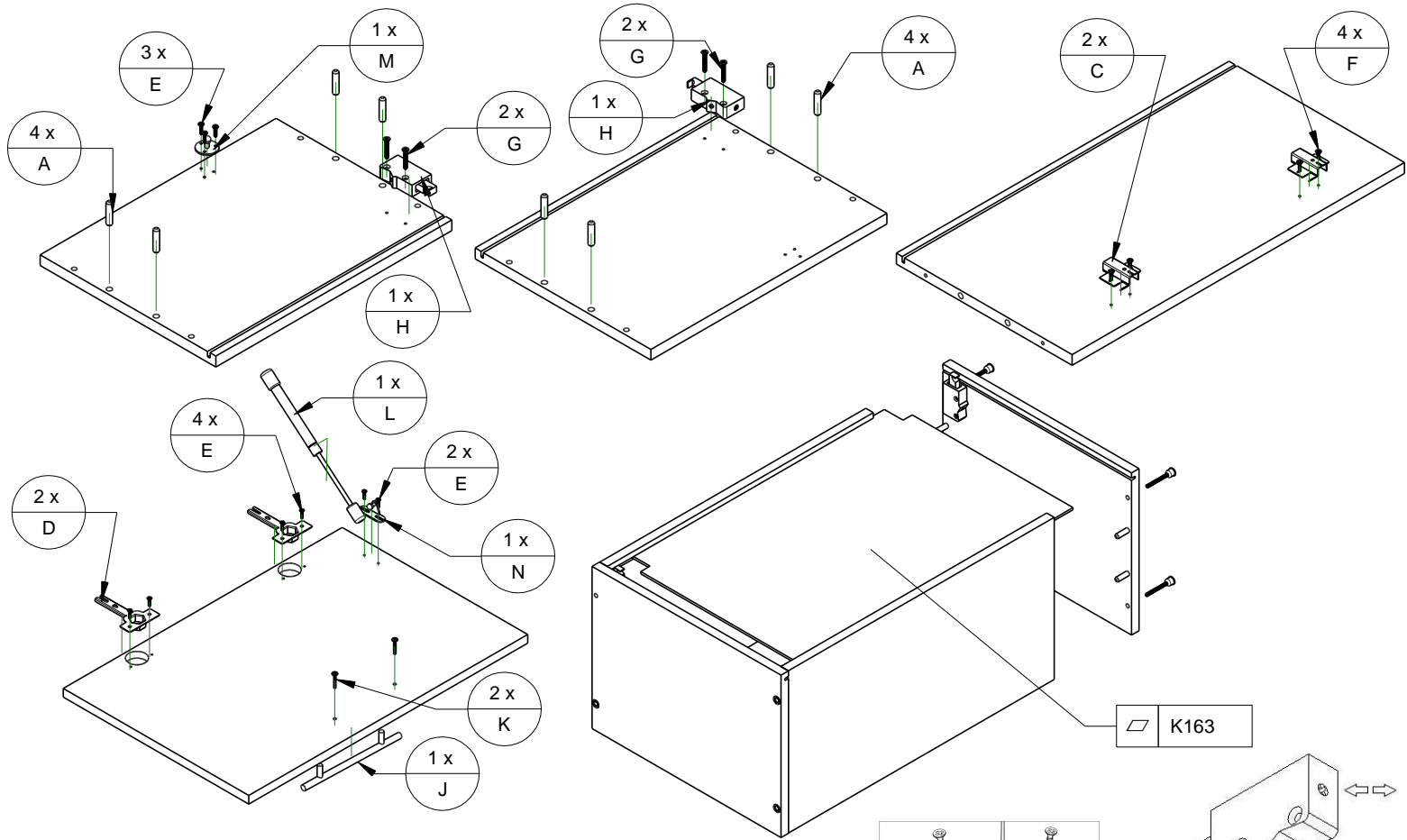
G80uw

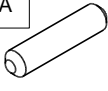

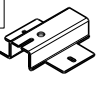
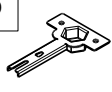
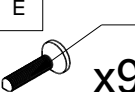
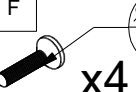
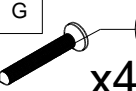
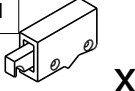
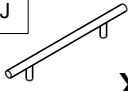

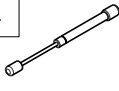
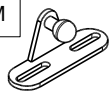
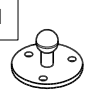


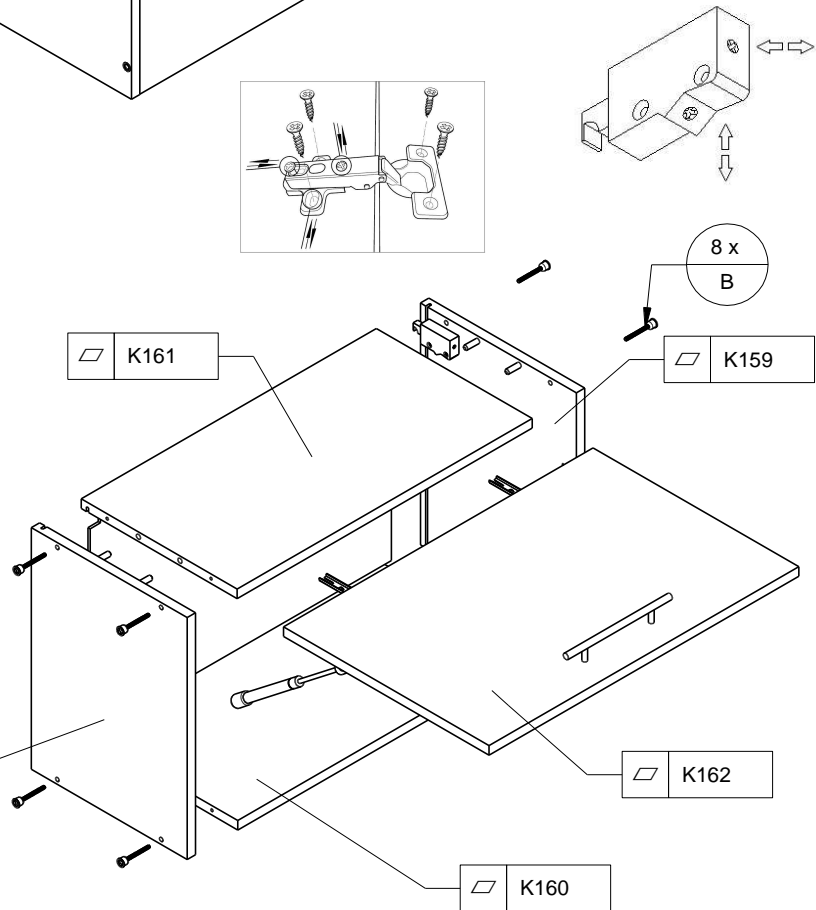
A	B	C
x12	x12	x4
D	E	F
x2	x2	x2
G	H	J
∅ 3,5 16 x8	∅ 4 16 x8	x4
K	L	M
∅ 4 30 x4	x4	x4
N	P	R
x4	x2	





G50/60 ok

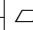


A	B	C
 x8	 x8	 x2
D	E	F
 x2	 x9 $\begin{matrix} \text{Ø } 3,5 \\ 16 \end{matrix}$	 x4 $\begin{matrix} \text{Ø } 4 \\ 16 \end{matrix}$
G	H	J
 x4 $\begin{matrix} \text{Ø } 4 \\ 30 \end{matrix}$	 x2	 x1
K	L	M
 x2	 x1	 x1
N	P	R
 x1		

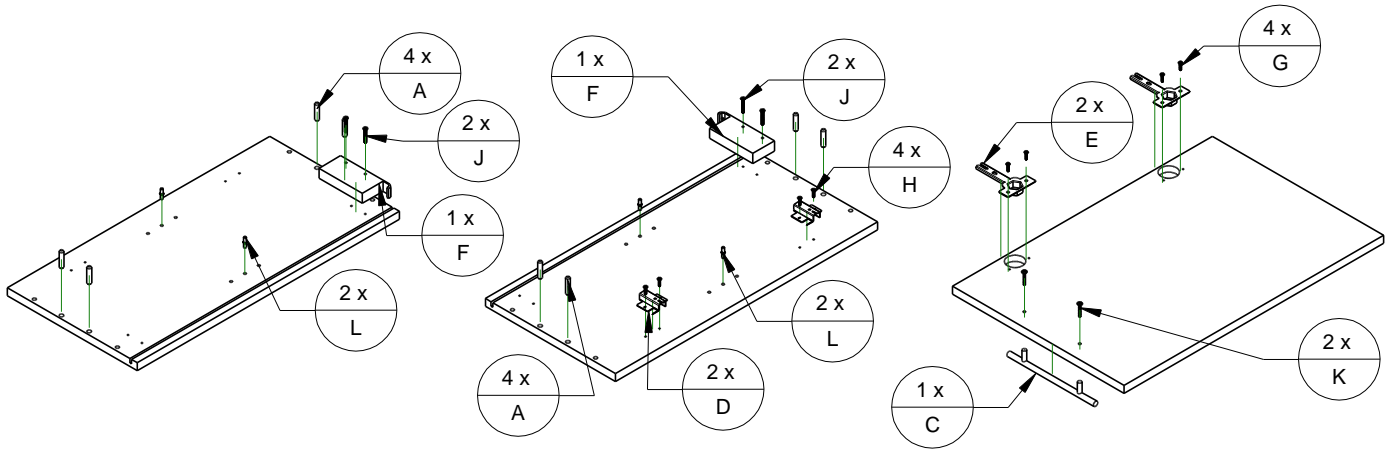


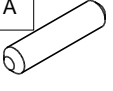
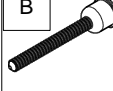
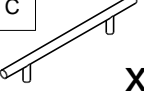
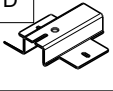
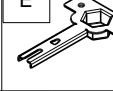
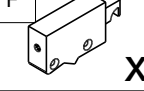

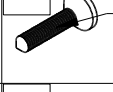
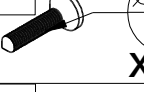


 K158

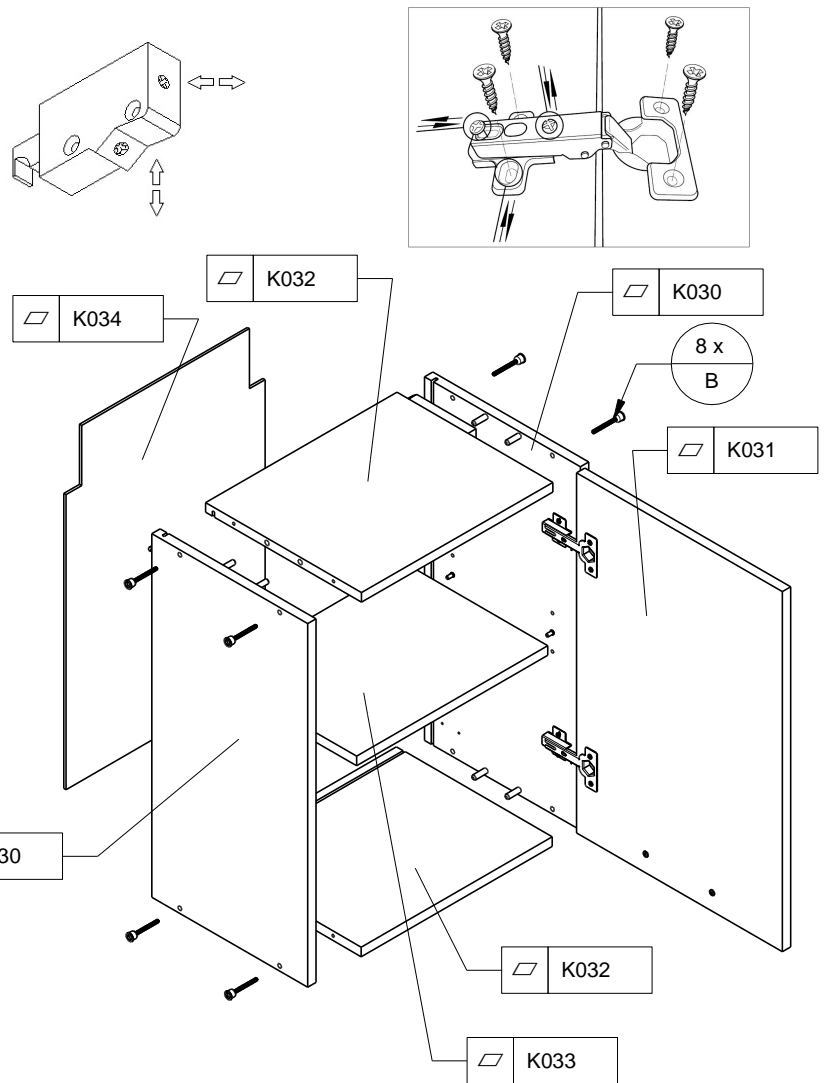
 K162

 K160

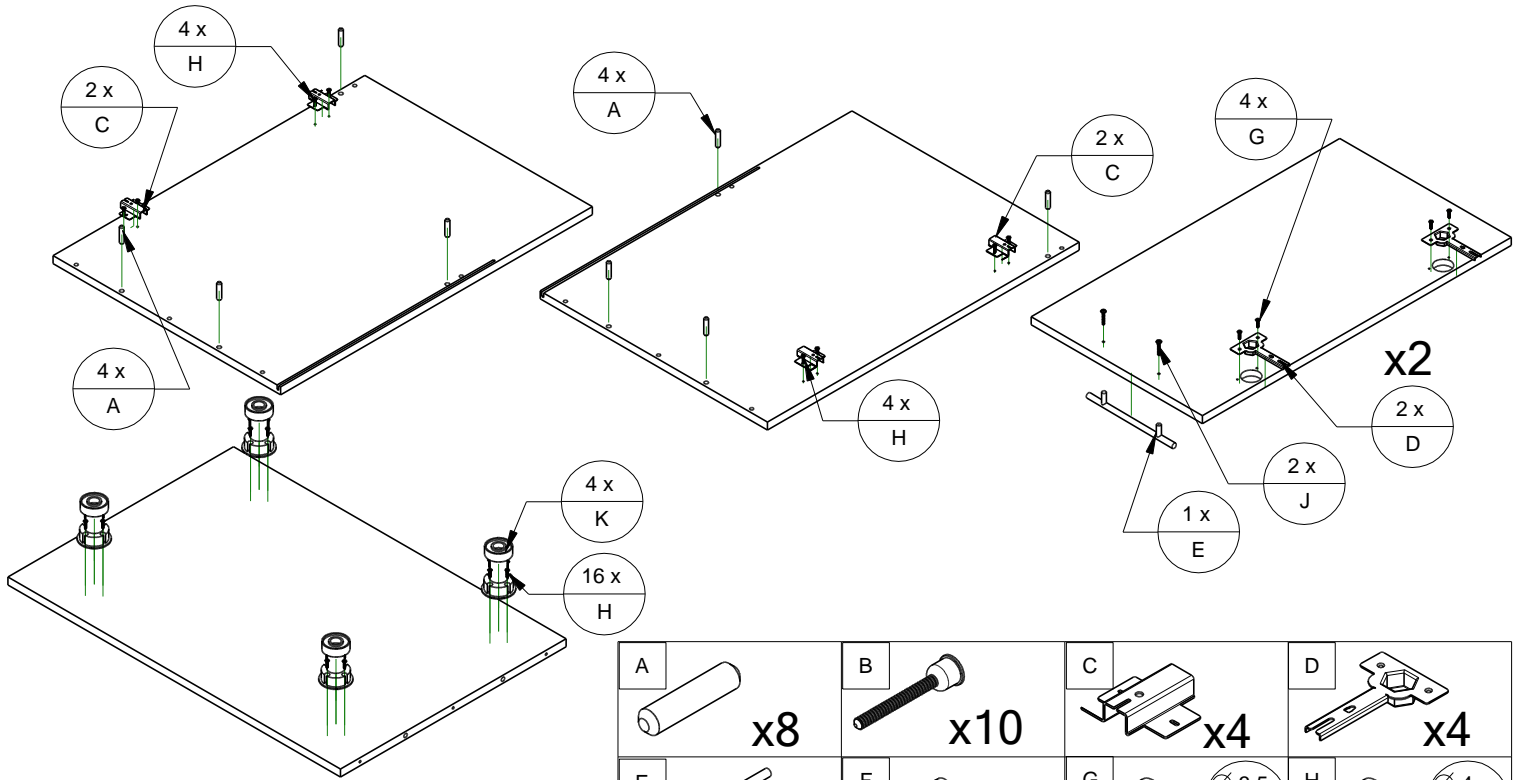
G30/40/60 1F

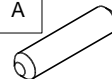
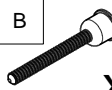
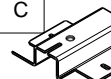
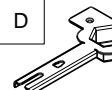

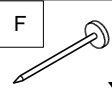
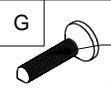
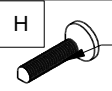
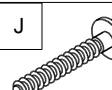
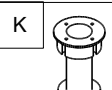
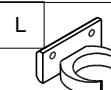


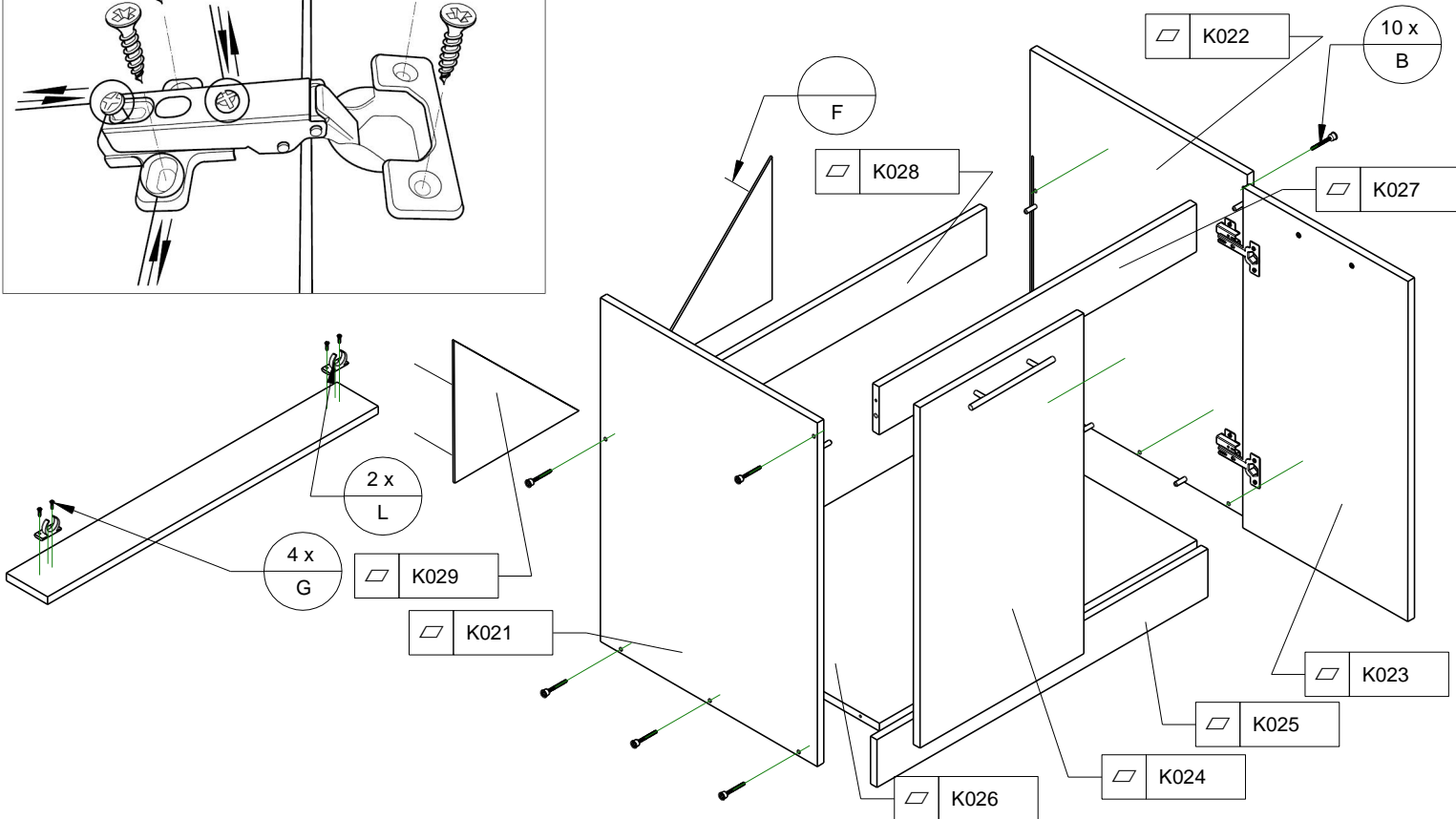
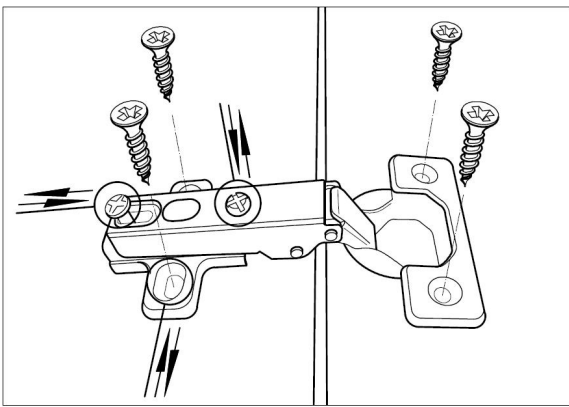
A		x8	B		x8	C		x1			
D		x2	E		x2	F		x2			
G		$\varnothing 3,5$ 16	x4	H		$\varnothing 4$ 16	x4	J		$\varnothing 4$ 30	x4
K		x2	L		x4	M					



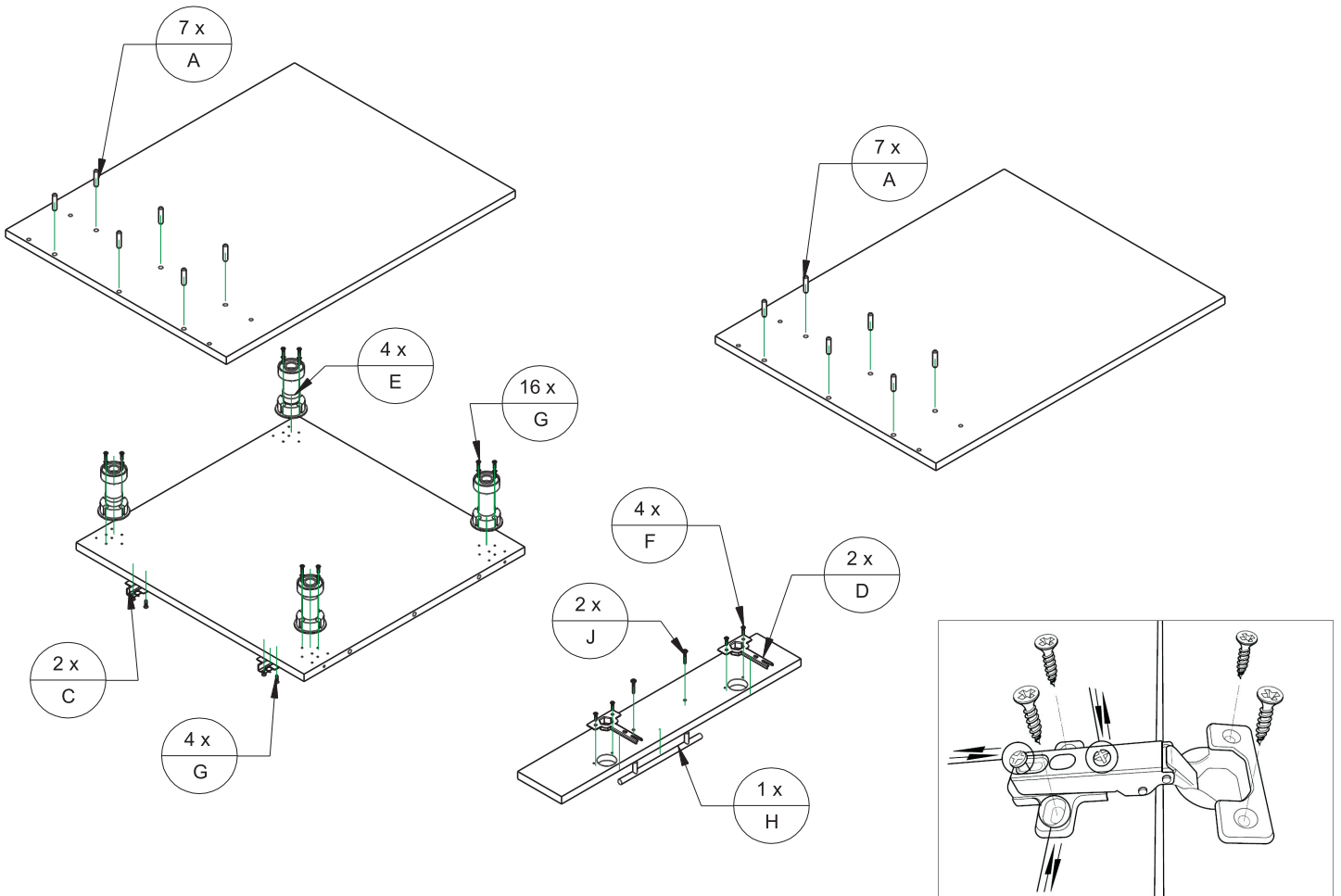
D 80zi

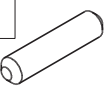


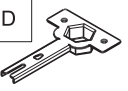

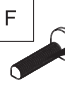

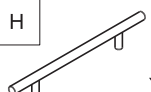
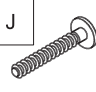


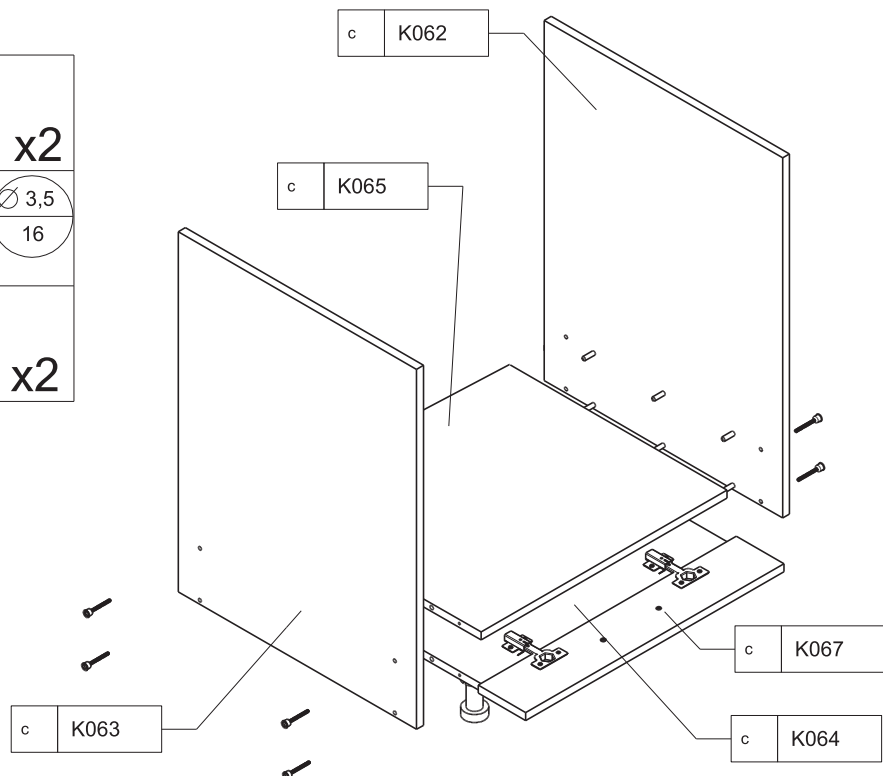
A	B	C	D
 x8	 x10	 x4	 x4
E	F	G	H
 x2	 x10	 $\varnothing 3,5$ 16 x12	 $\varnothing 4$ 16 x8
J	K	L	M
 x4	 x4	 x2	



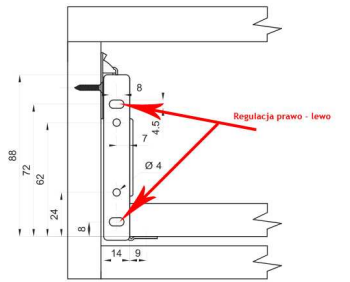
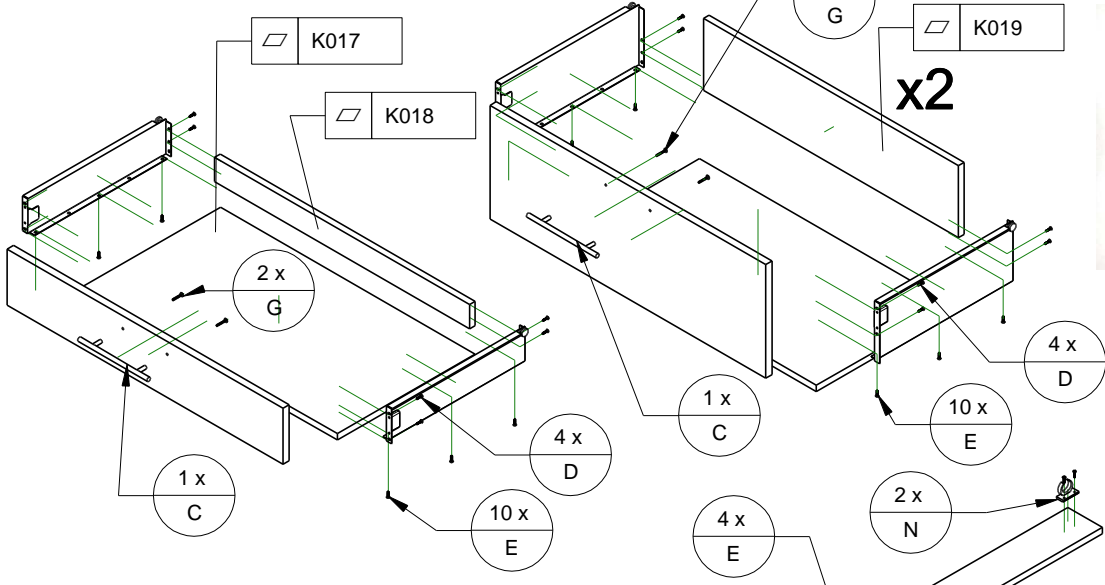
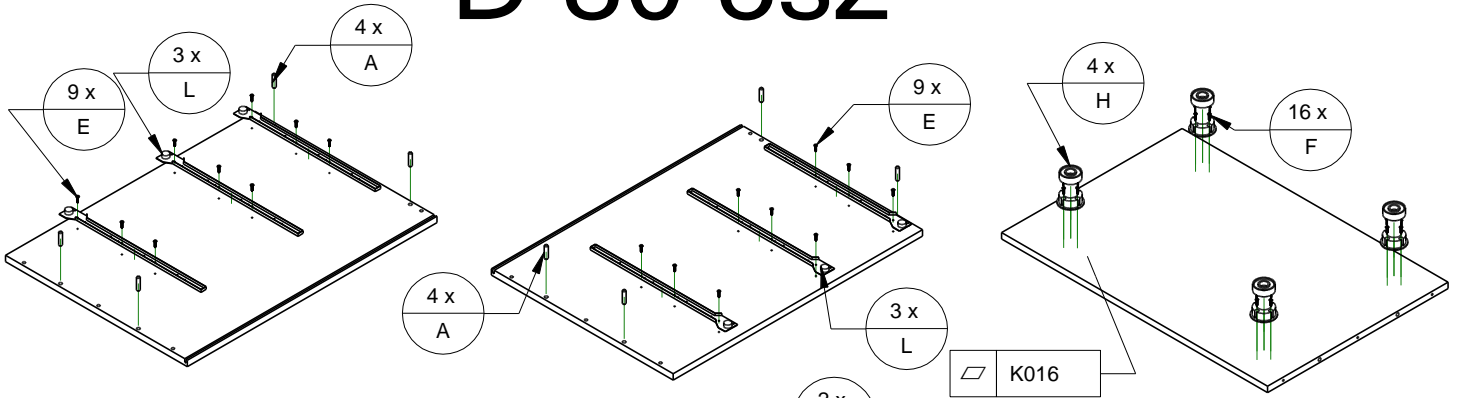
D 60 ku



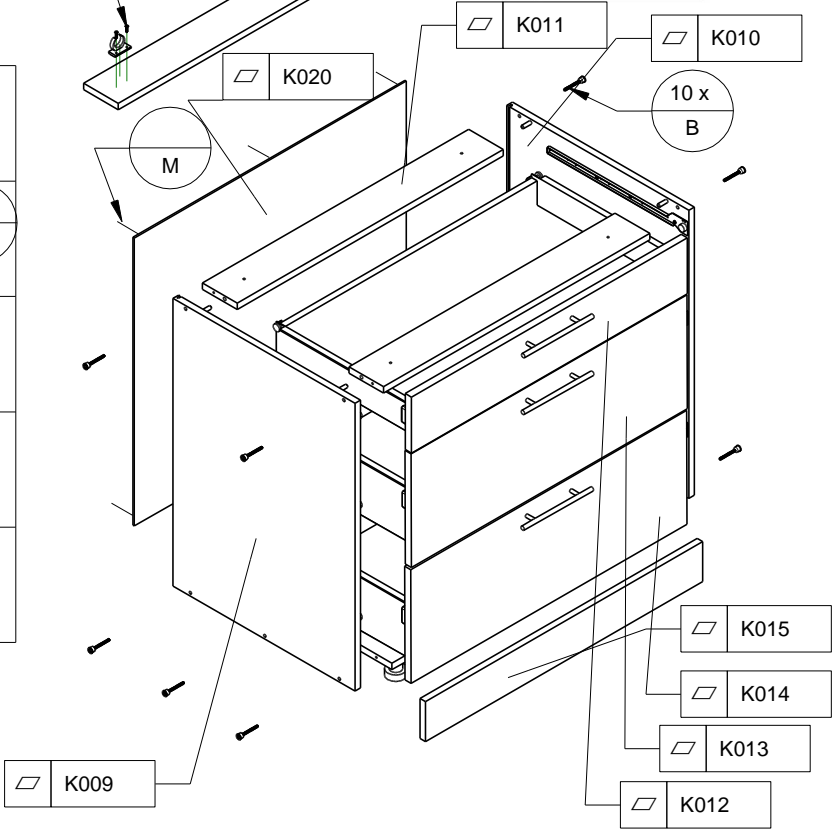
A		x14	B		x10	C		x2
D		x2	E		x4	F		x4
G		x20	H		x1	J		x2



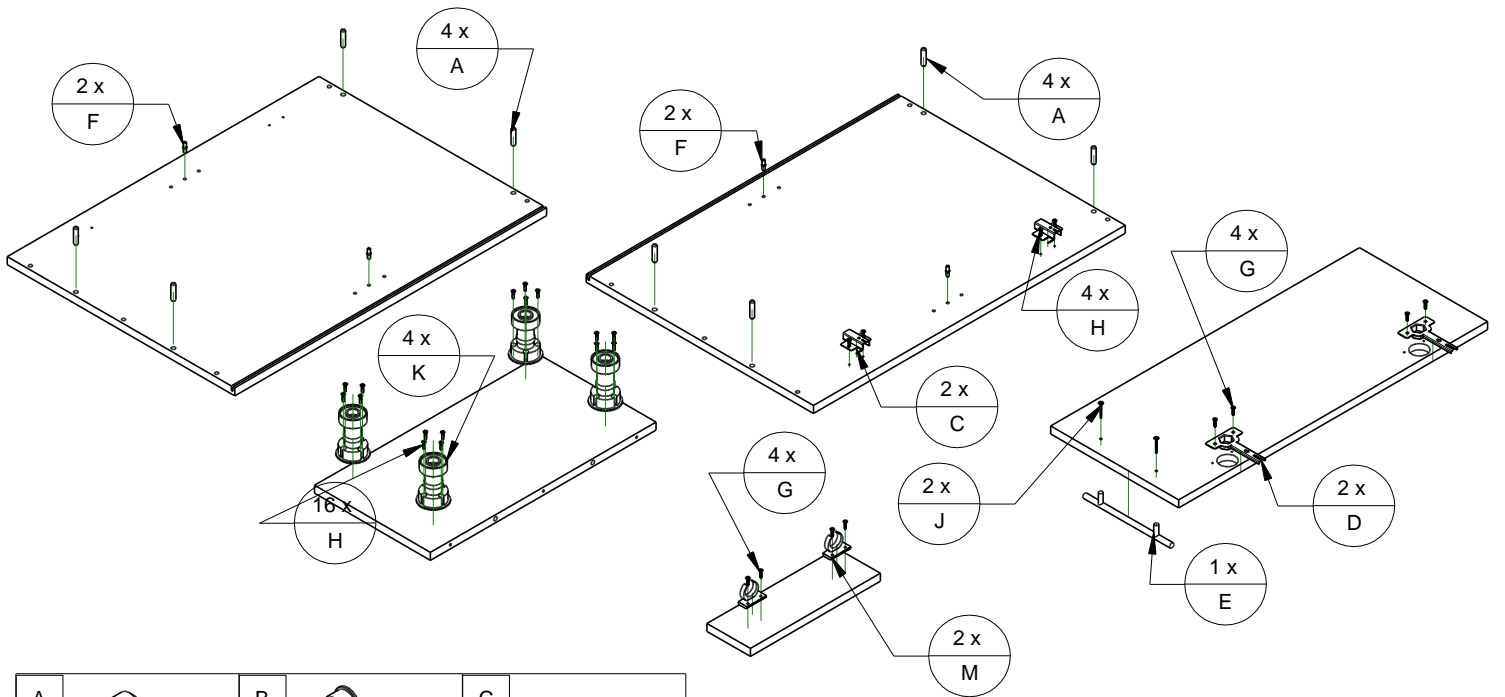
D 80 3sz





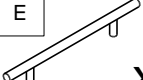
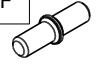

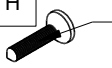
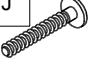
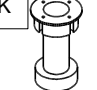
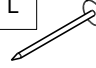



A	B	C
x8	x10	x3
D	E	F
$\varnothing 3$ x12	$\varnothing 3,5$ x52	$\varnothing 4$ x16
G	H	J
x6	x4	x2
K	L	M
x4	x6	x20
N	P	R
x2		



D 30/40/60 1F



A	B	C
 x8	 x10	 x2
D	E	F
 x2	 x1	 x4
G	H	J
 $\varnothing 3,5$ 16 x8	 $\varnothing 4$ 16 x20	 x2
K	L	M
 x4	 x20	 x2

