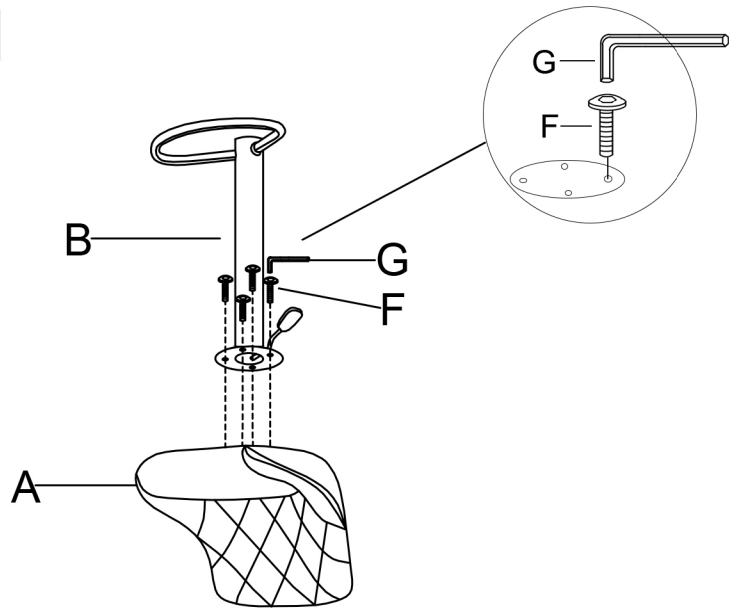
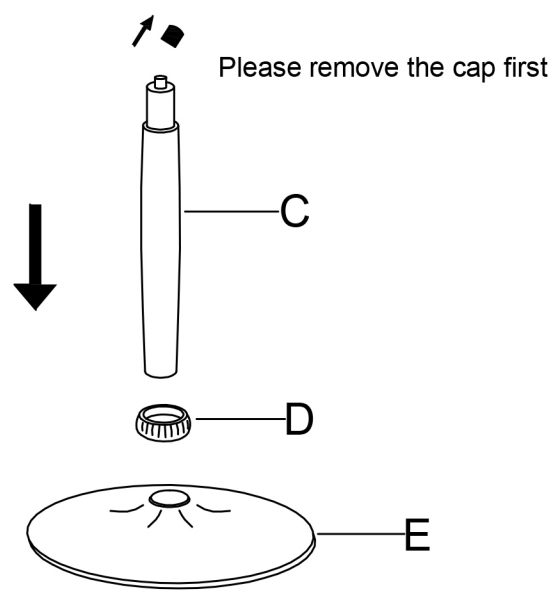


1

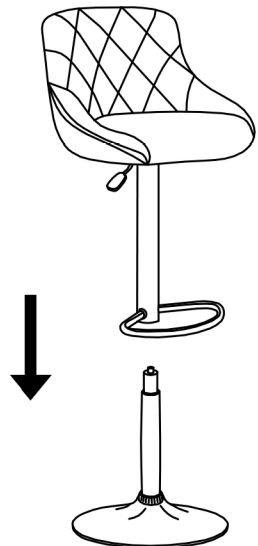


2

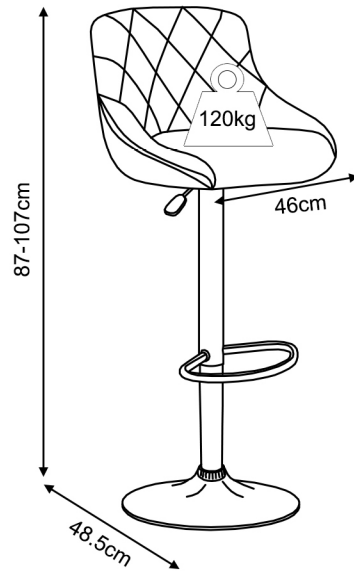


|   |         |    |
|---|---------|----|
| A |         | X1 |
| B |         | X1 |
| C |         | X1 |
| D |         | X1 |
| E |         | X1 |
| F | M6x16mm | X4 |
| G | 6#      | X1 |

3



4



max. 120 kg