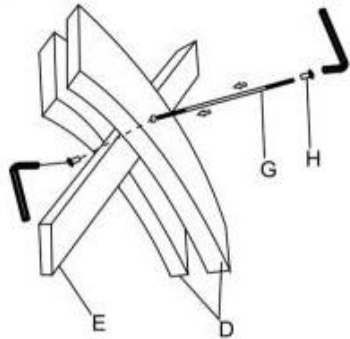
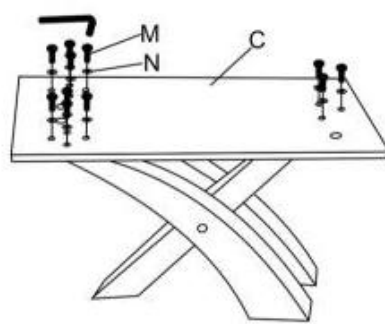


# SANDOR 2

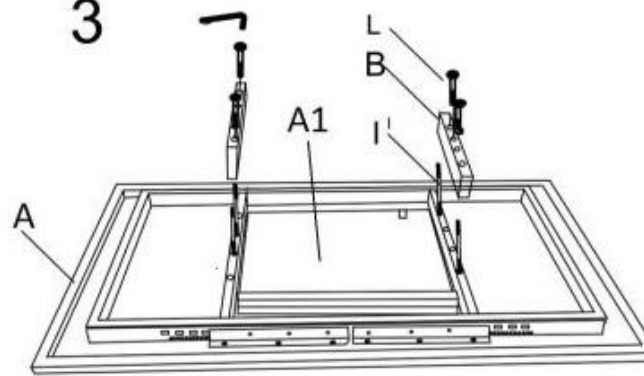
1



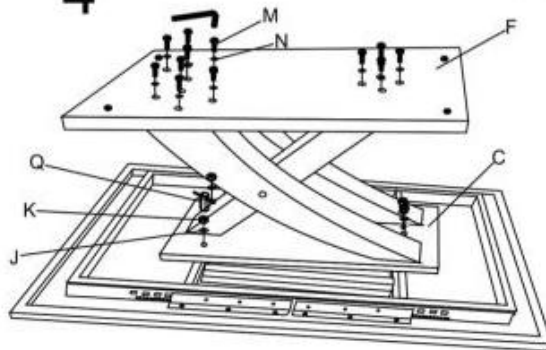
2



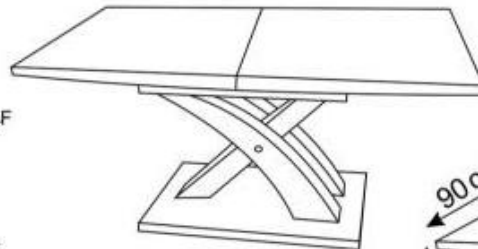
3



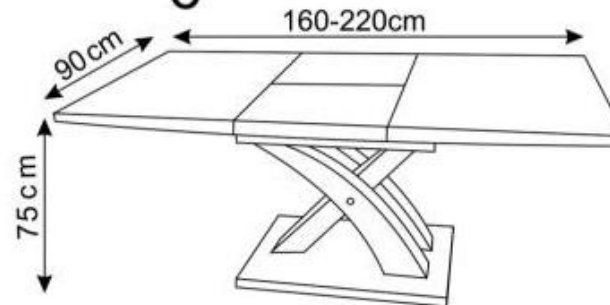
4



5



6



A		1
A1		1
B		2
C	 35x90cm	1
D		2
E		1
F	 55x100cm	1
G	 M10x290mm	1
H	 M10x22mm	2
I	 M10x145mm	4
J	 M10	8
K	 M10	4
L	 M10x90mm	4
M	 M8x35mm	20
N	 M8	20

max. 60 kg

