



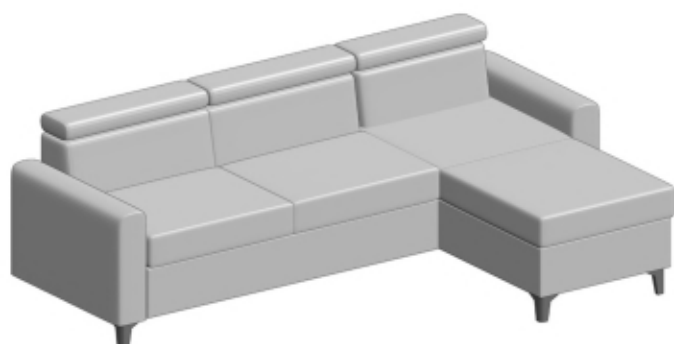
60 min



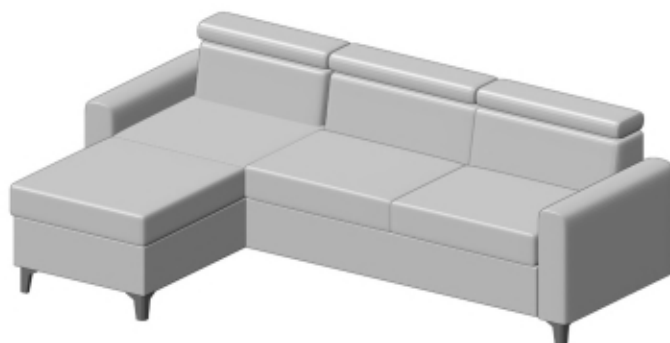
HDPE



LDPE



wer. A



wer. B



str 6

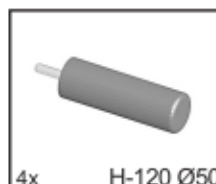


4x



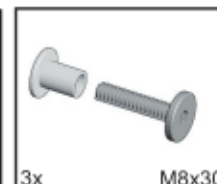
12x

5x40



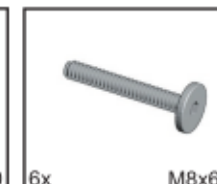
4x

H-120 Ø50



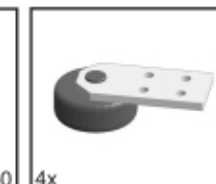
3x

M8x30

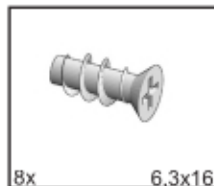


6x

M8x60



4x

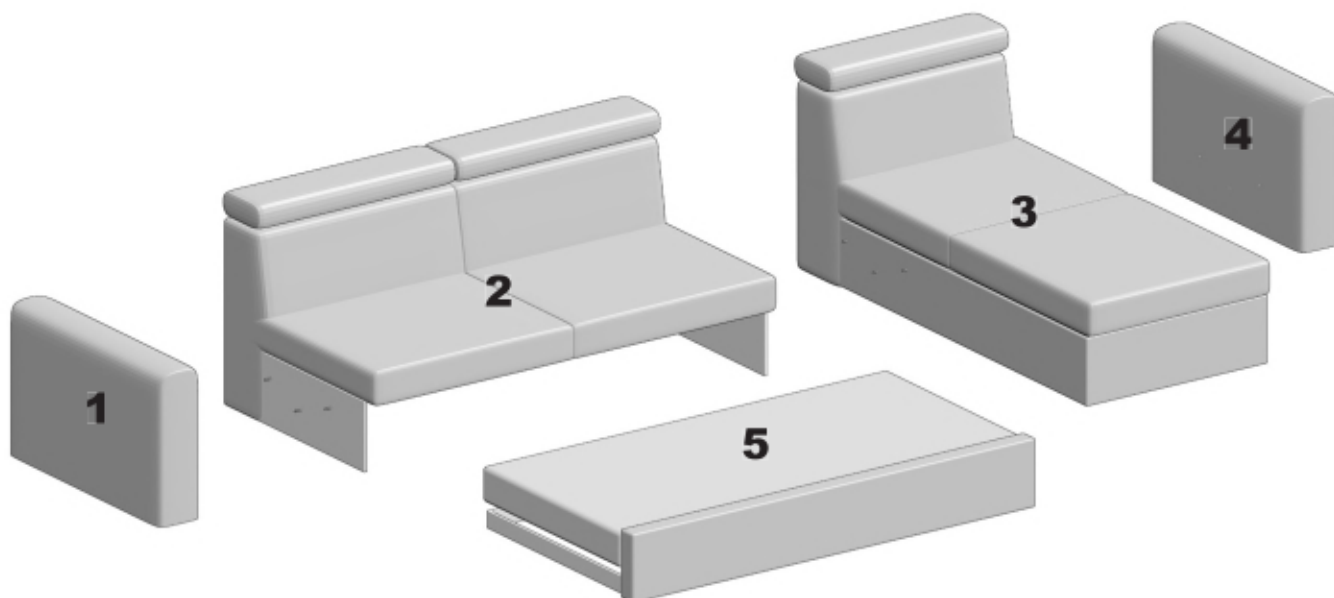


8x

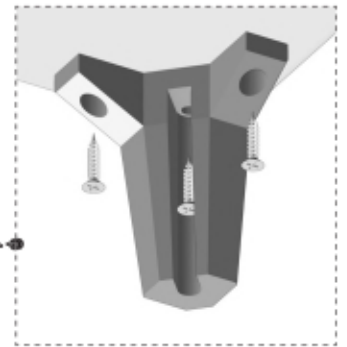
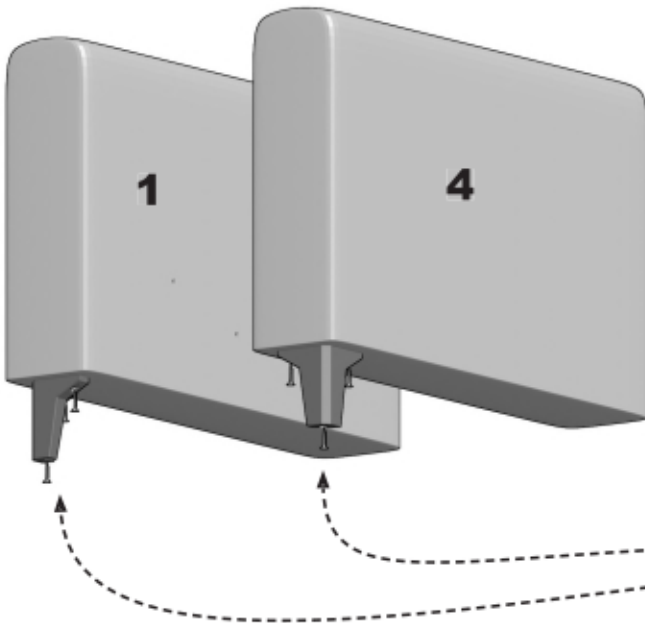
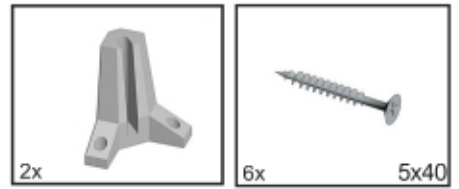
6,3x16



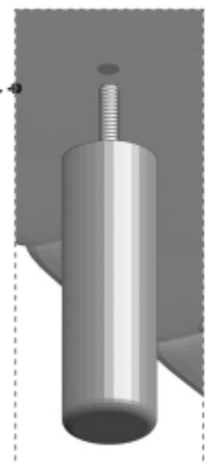
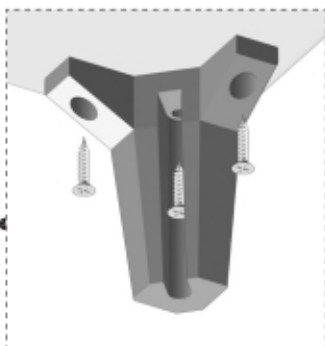
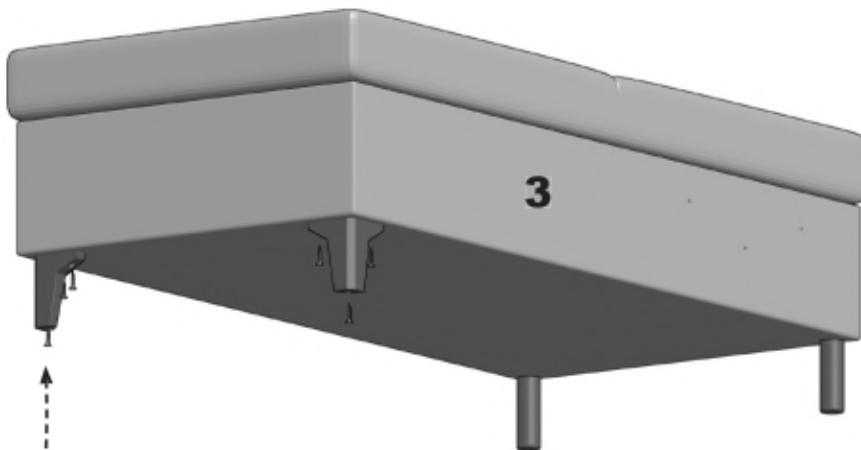
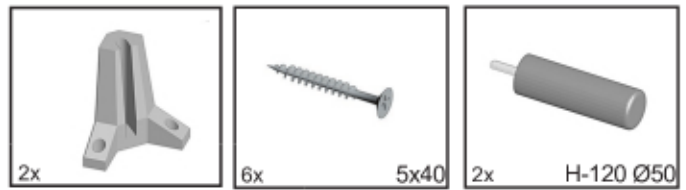
2x



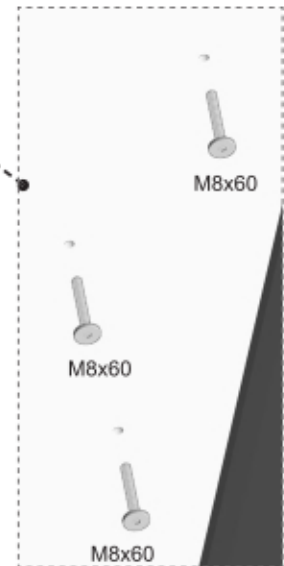
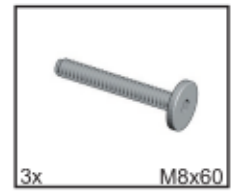
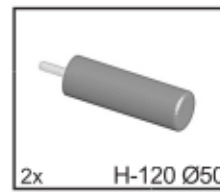
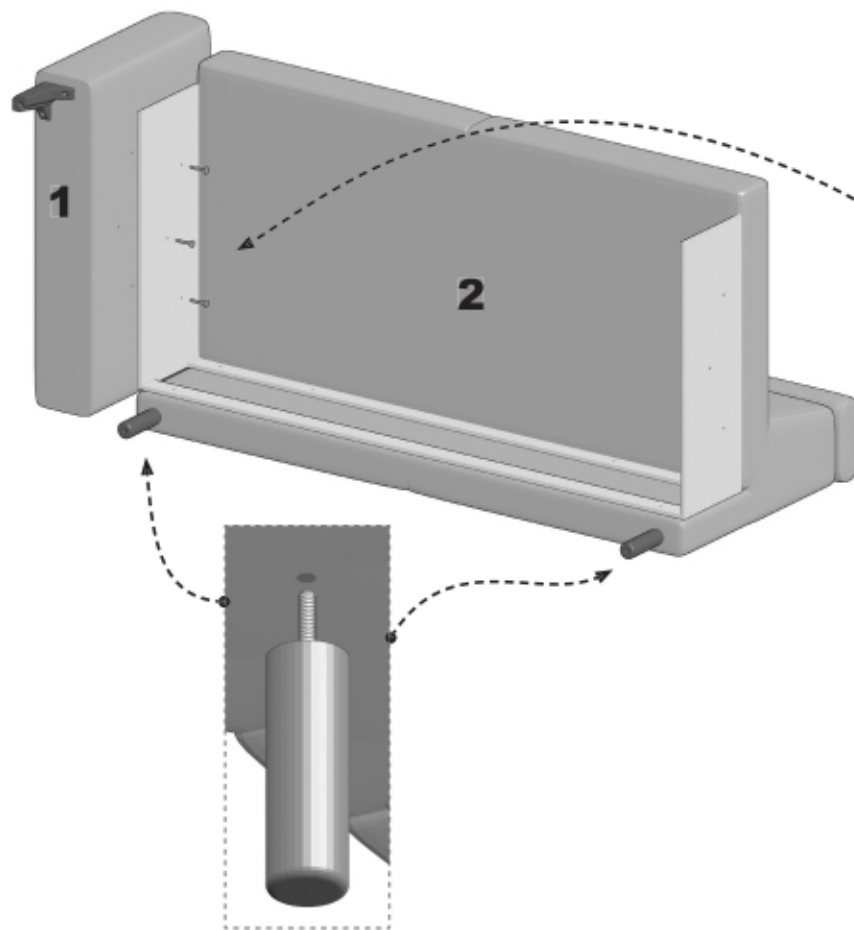
1 wer. A



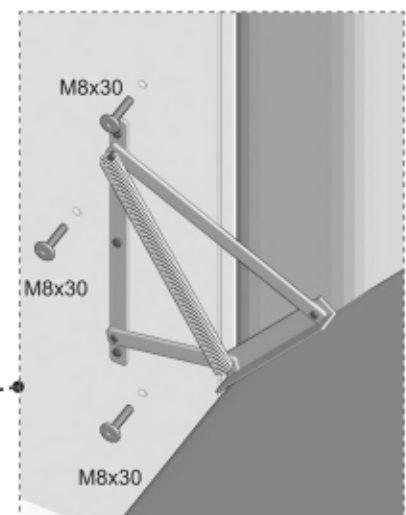
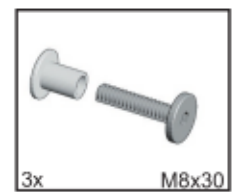
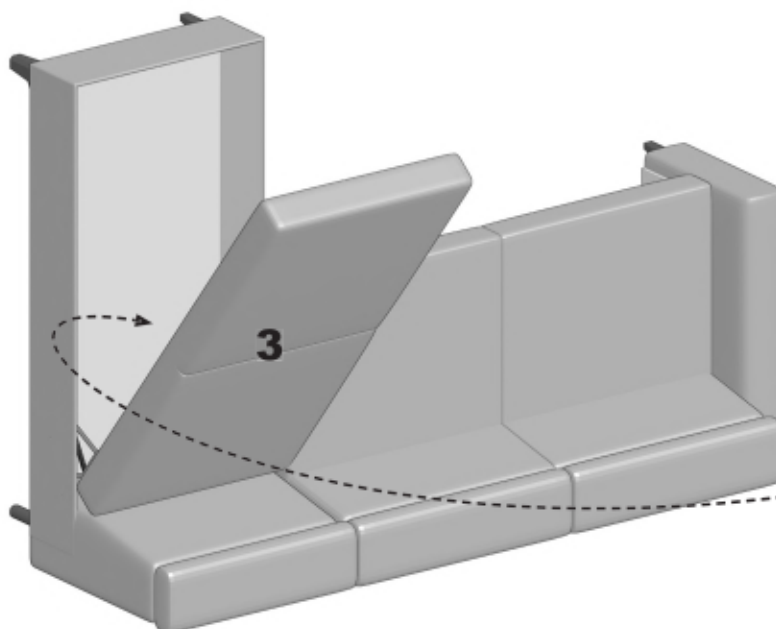
2 wer. A



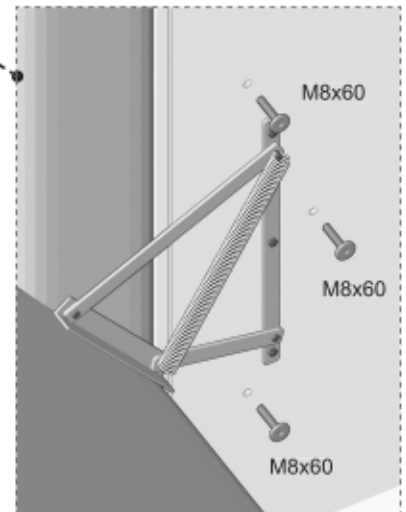
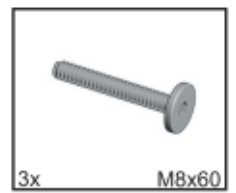
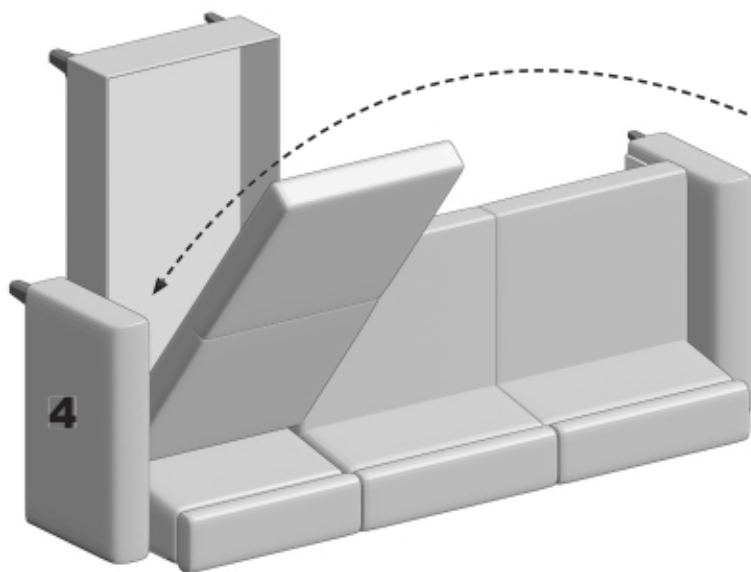
3 wer. A



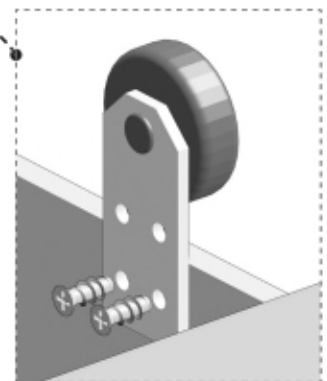
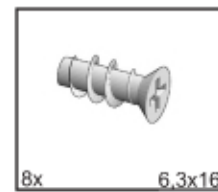
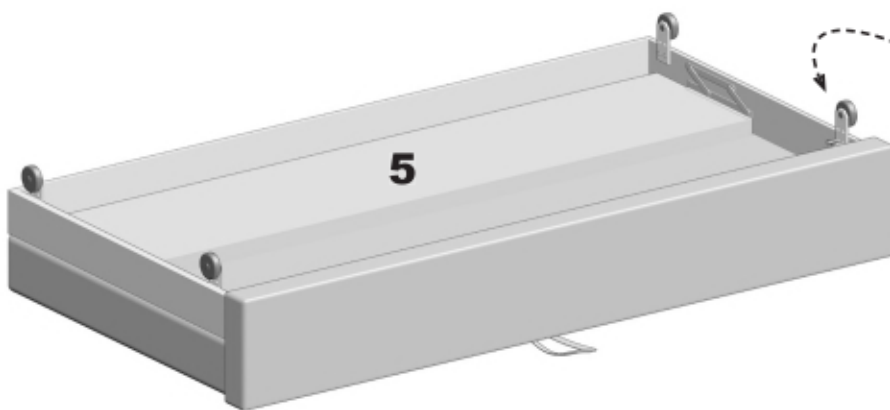
4 wer. A



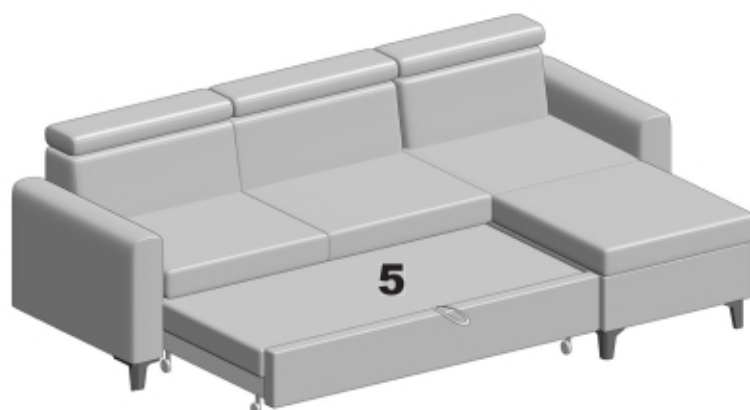
5 wer. A



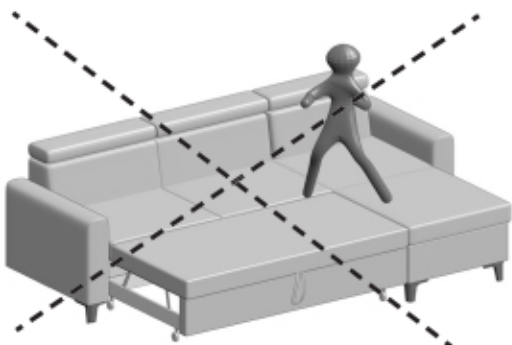
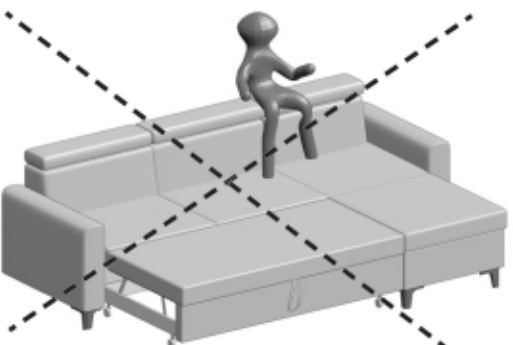
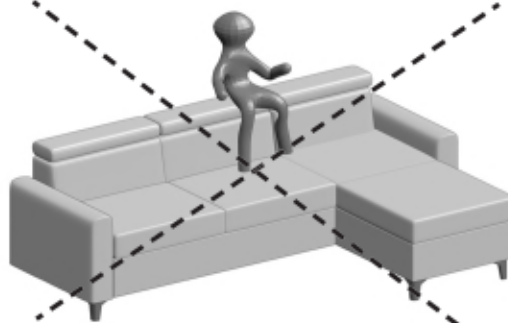
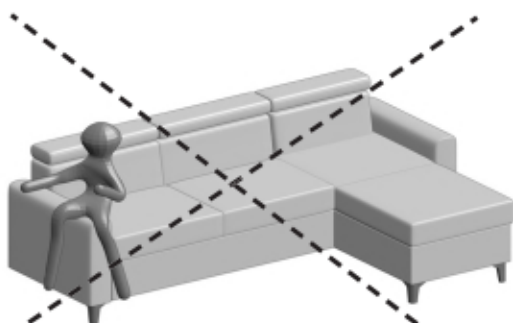
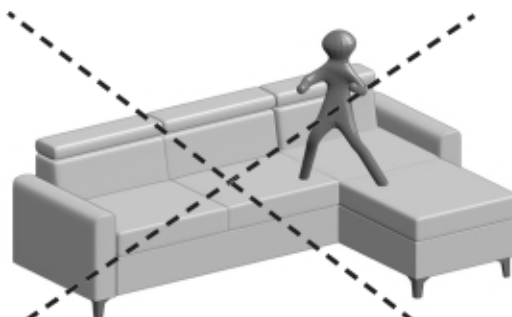
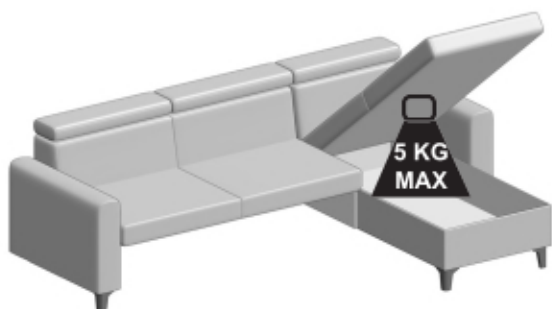
6 wer. A

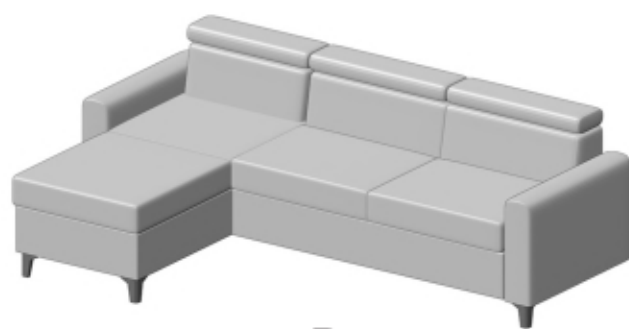


7 wer. A

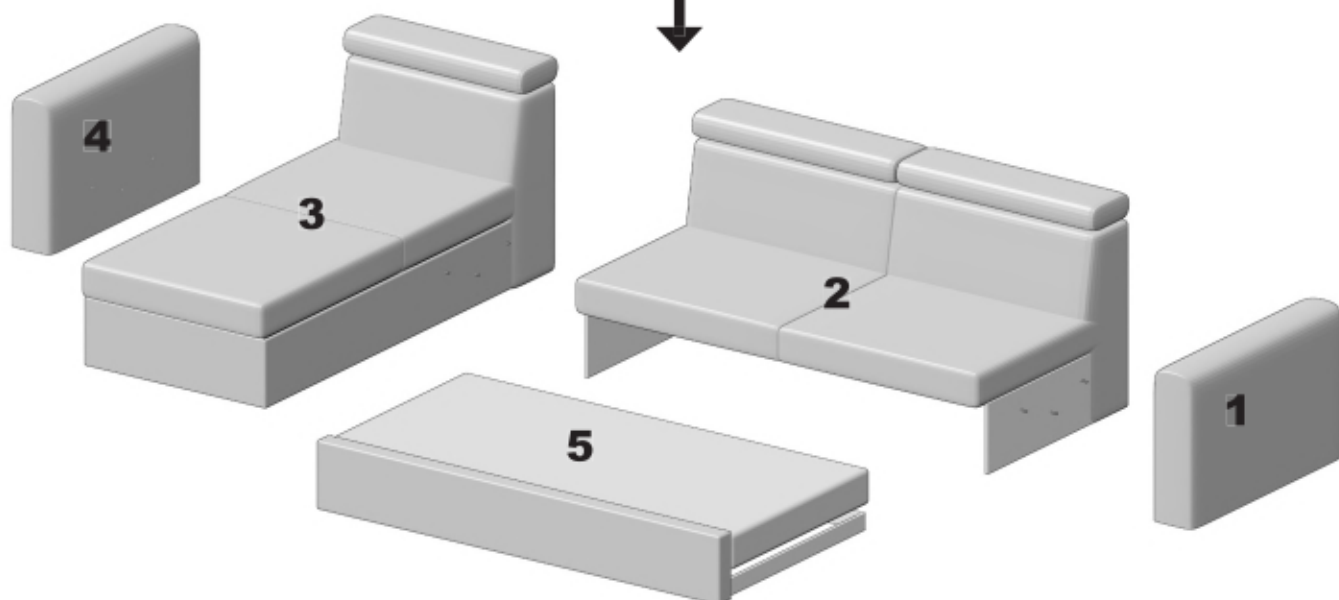


8 wer. A

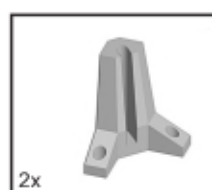
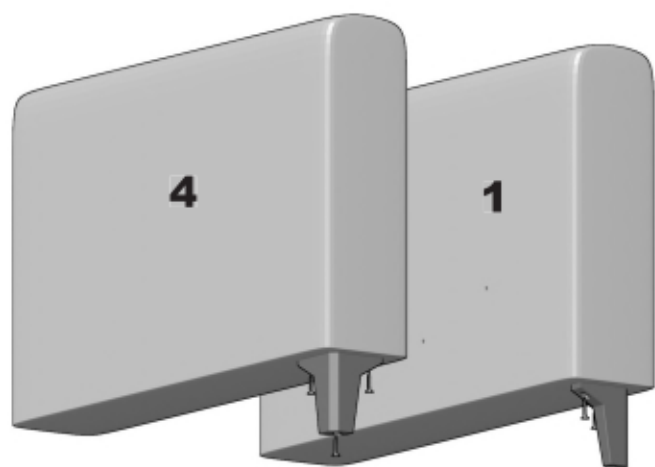




wer. B



1 wer. B

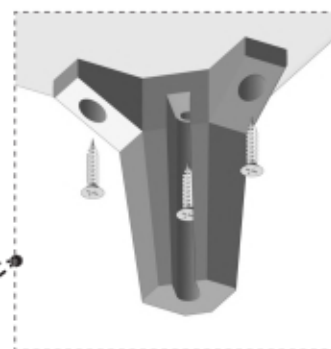


2x

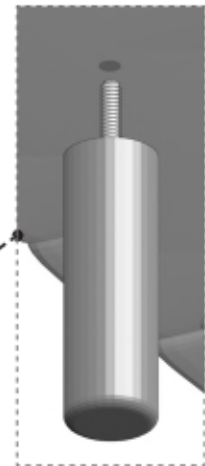
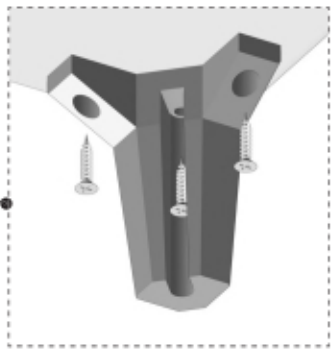
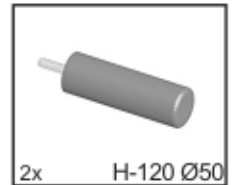
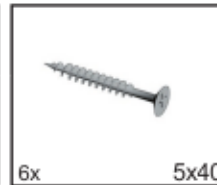
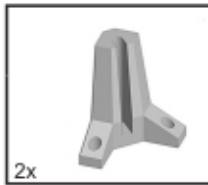
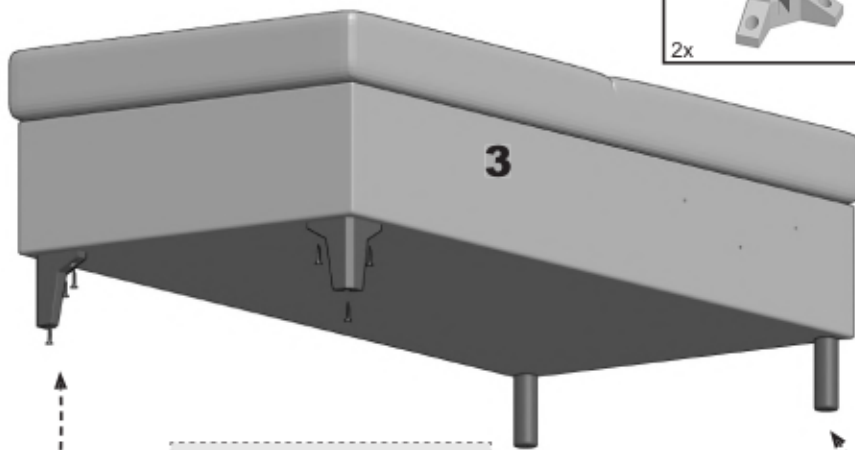


6x

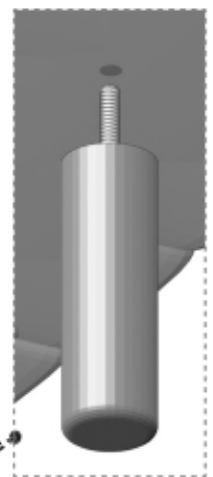
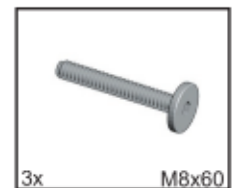
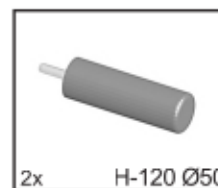
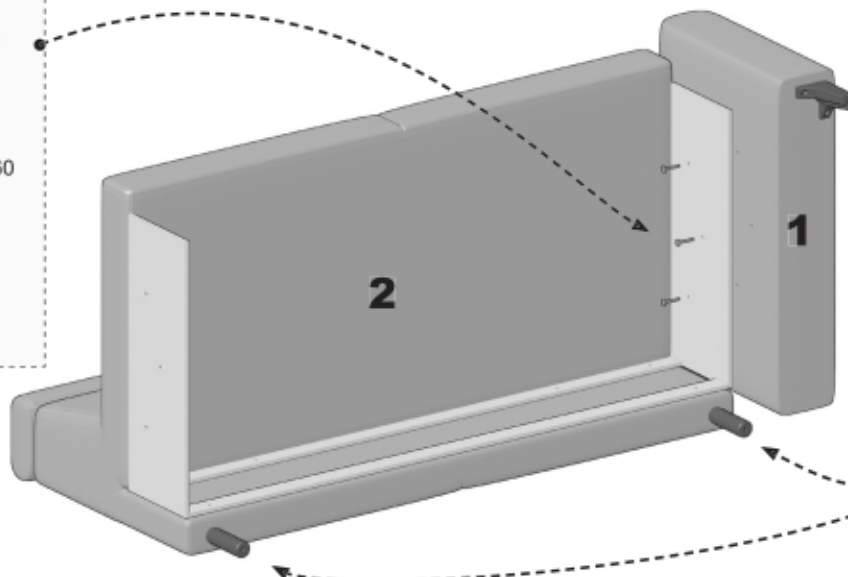
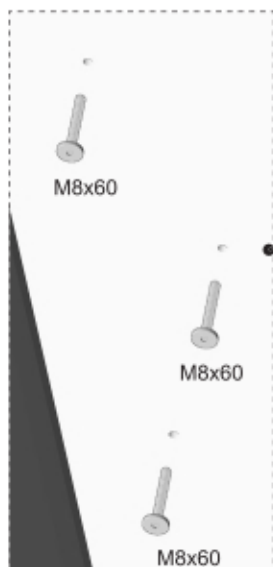
5x40



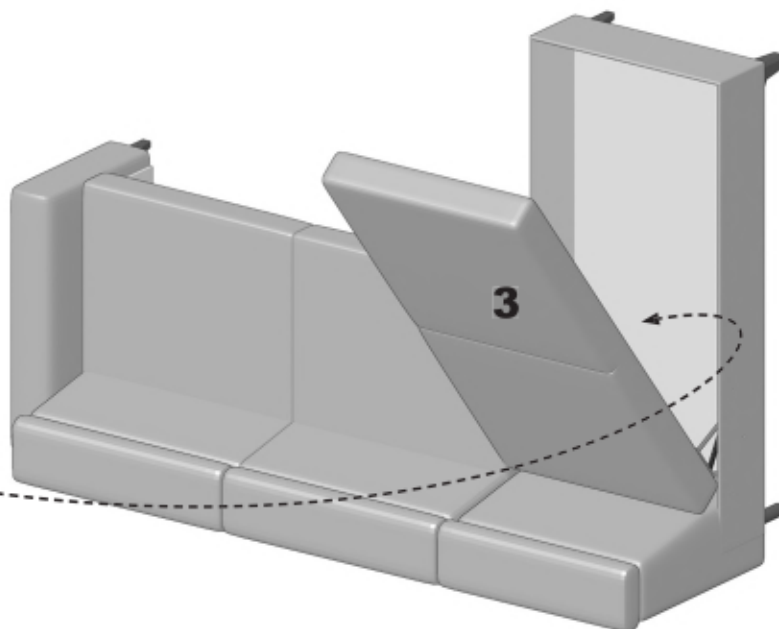
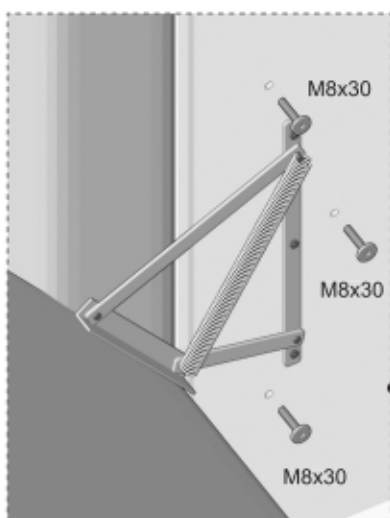
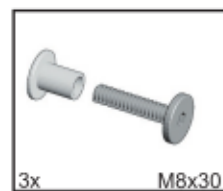
2 wer. B



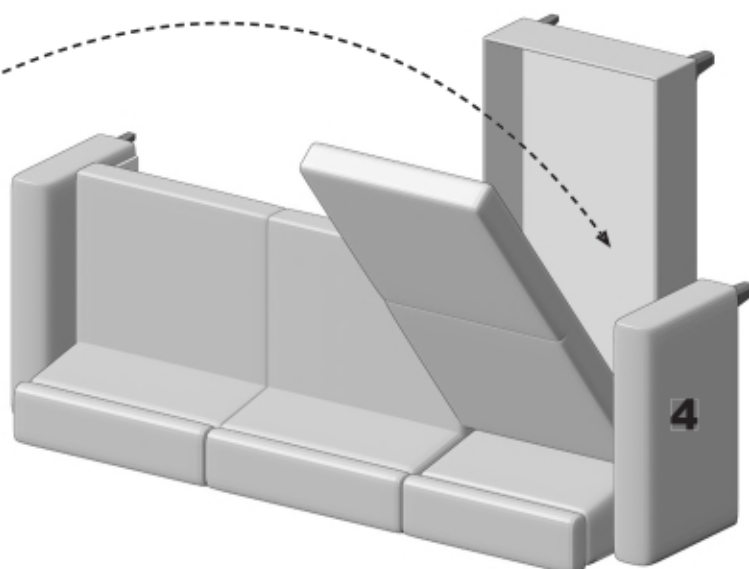
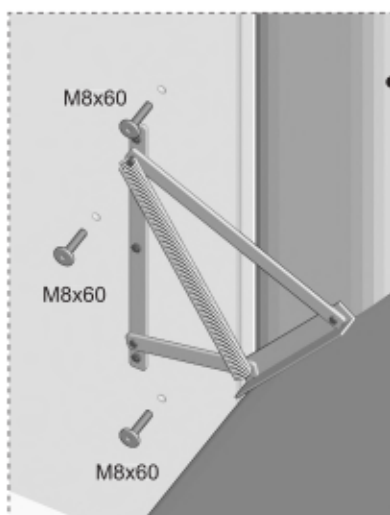
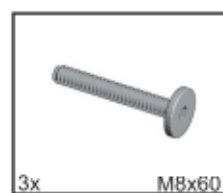
3 wer. B



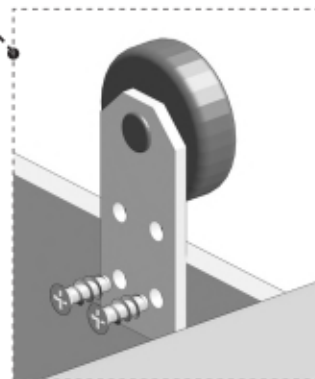
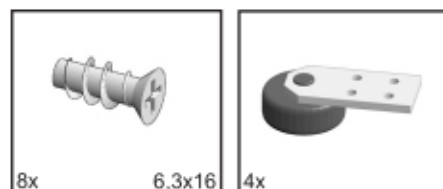
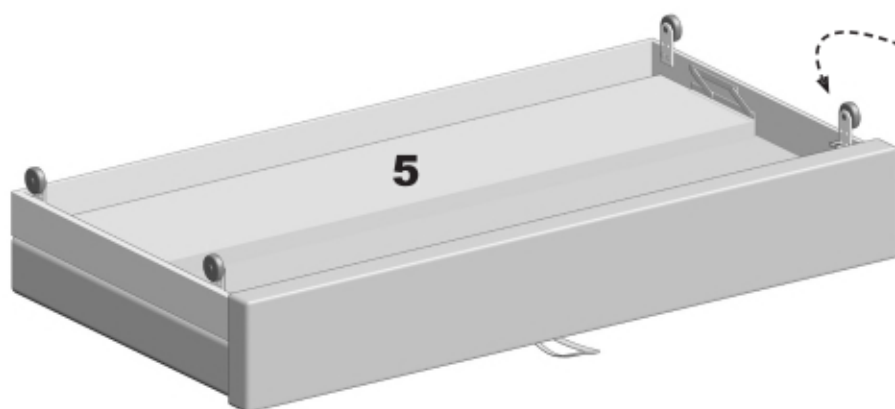
4 wer. B



5 wer. B



6 wer. B



7 wer. B



8 wer. B

