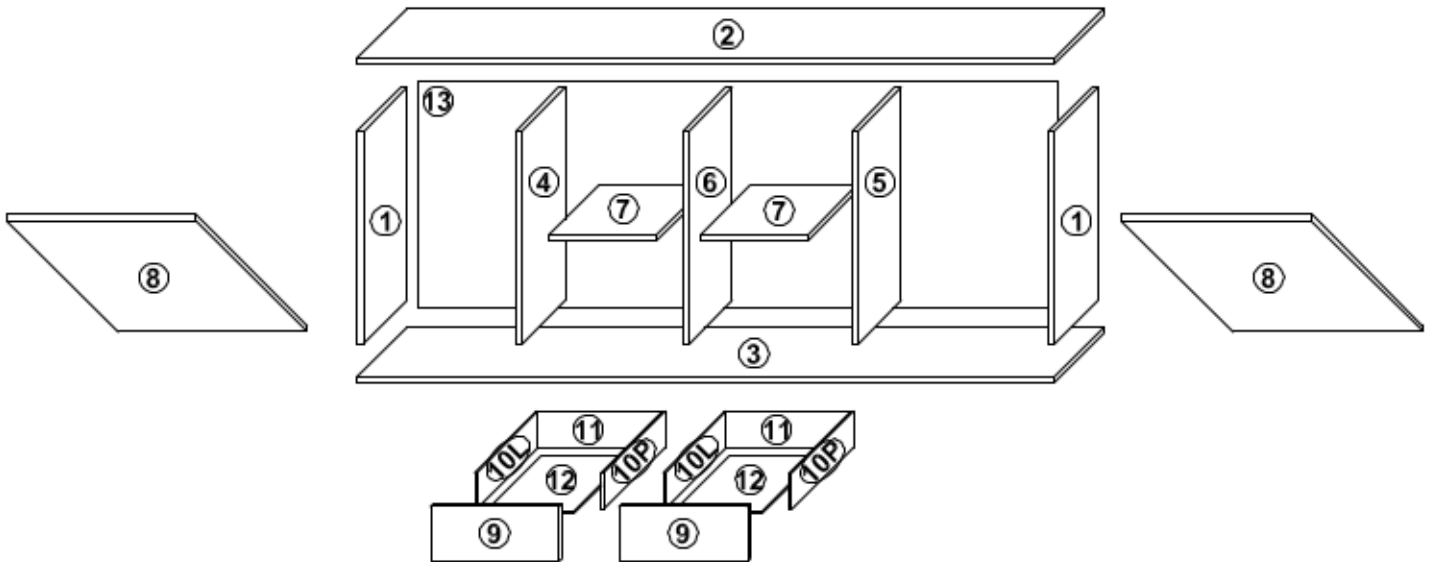


Symbol elementu	Wymiary
1	400 x 268
2	2001 x 423
3	2001 x 400
4	400 x 268
5	400 x 268
6	400 x 268
7	585 x 400
8	394 x 270
9	598 x 152
10L	350 x 110
10P	350 x 110
11	528 x 110
12	530 x 348
13	387 x 280



T1	M1	Z1	K30	ZMS	K45	ZW	PZW	W4x16
28	28	24	36	2	2	4	4	8
KP	NS	U1	W4x27	KLEJ	E5x13	STB		
4	6	4	8	1	16	4		

