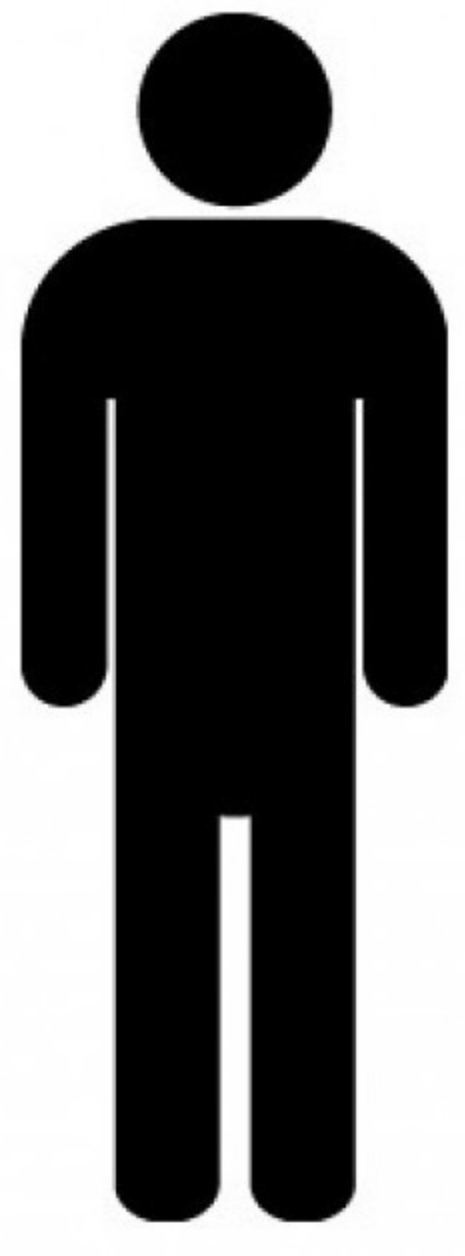


REGG

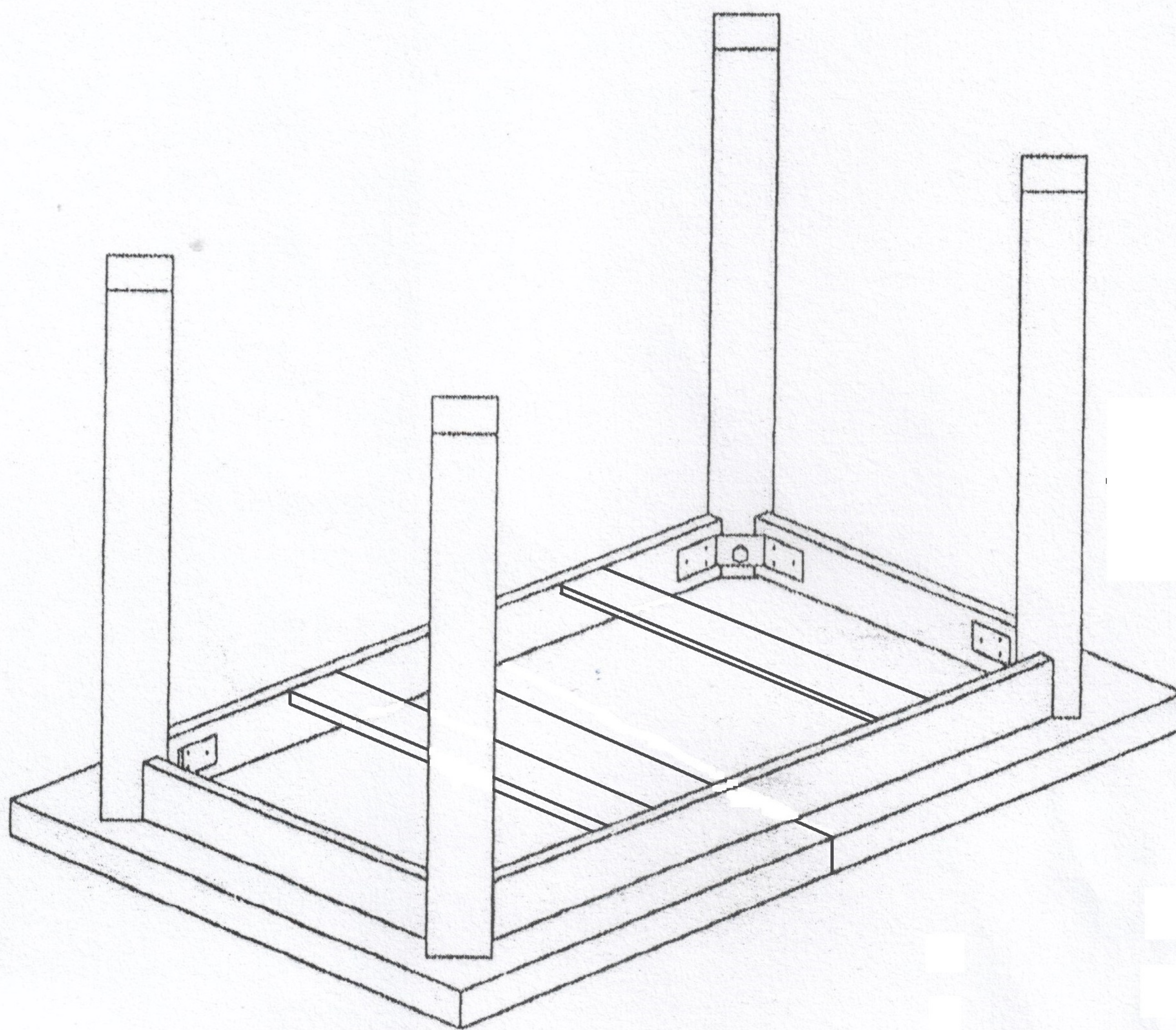
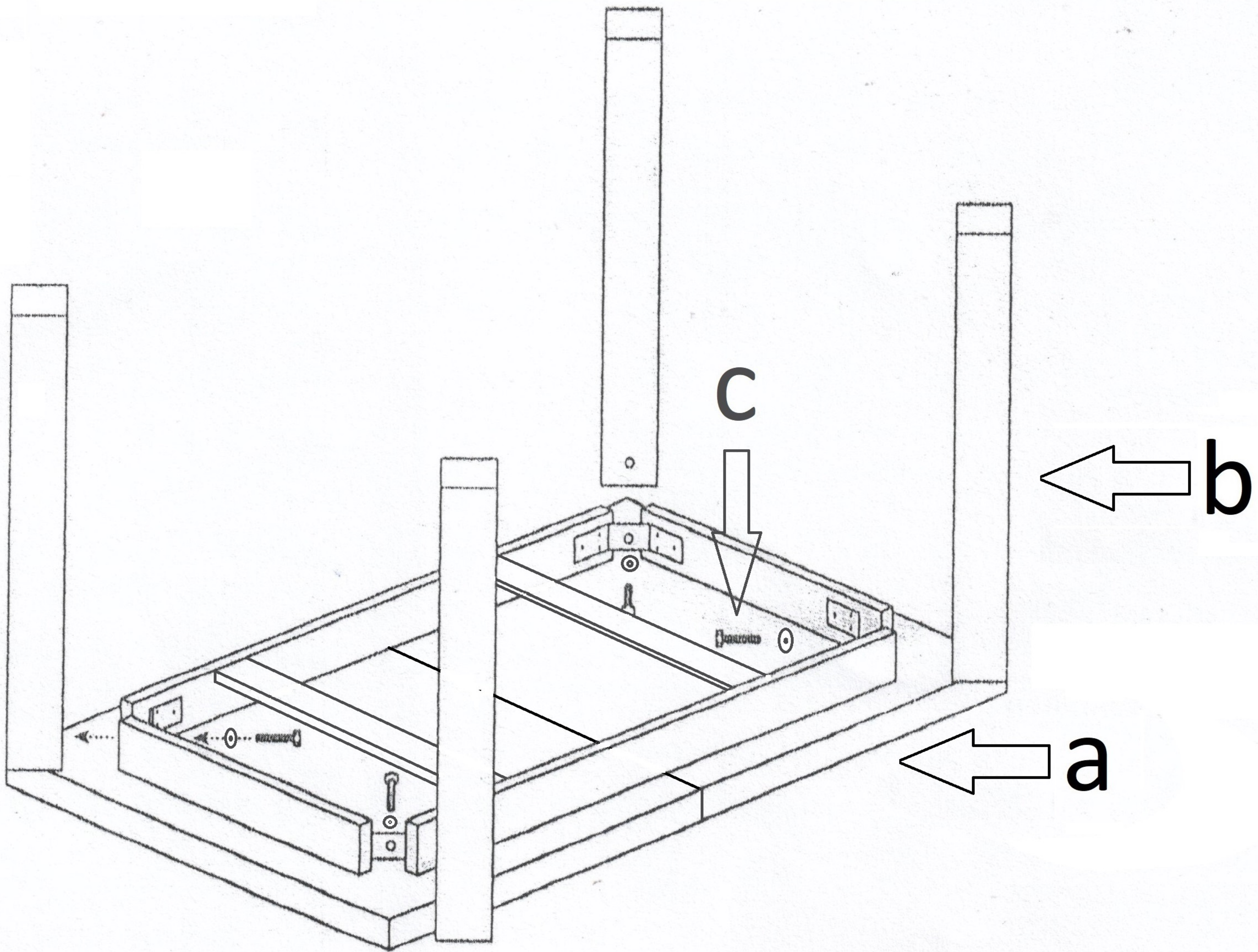
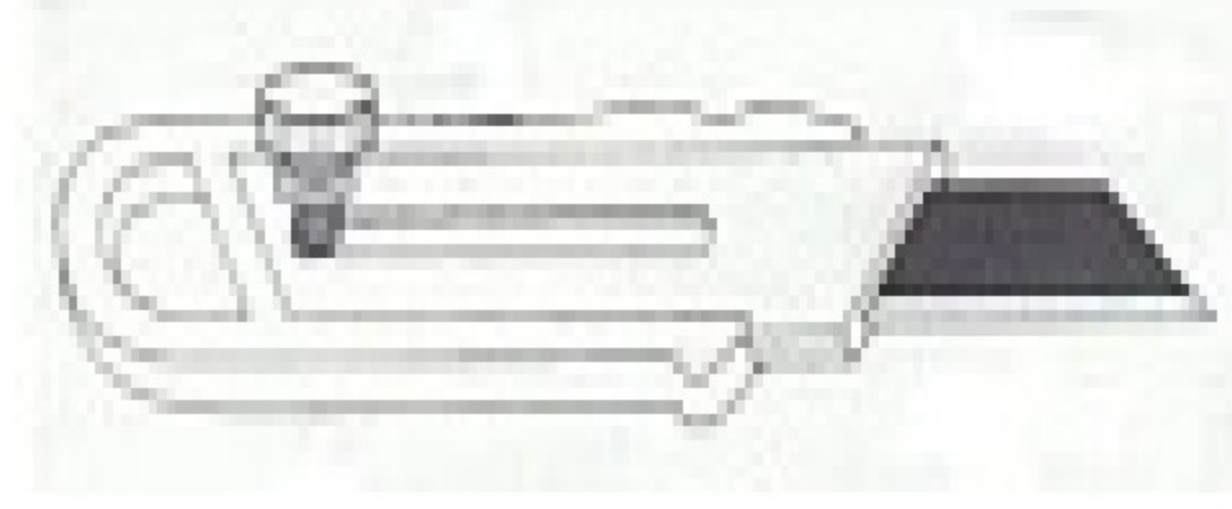


+

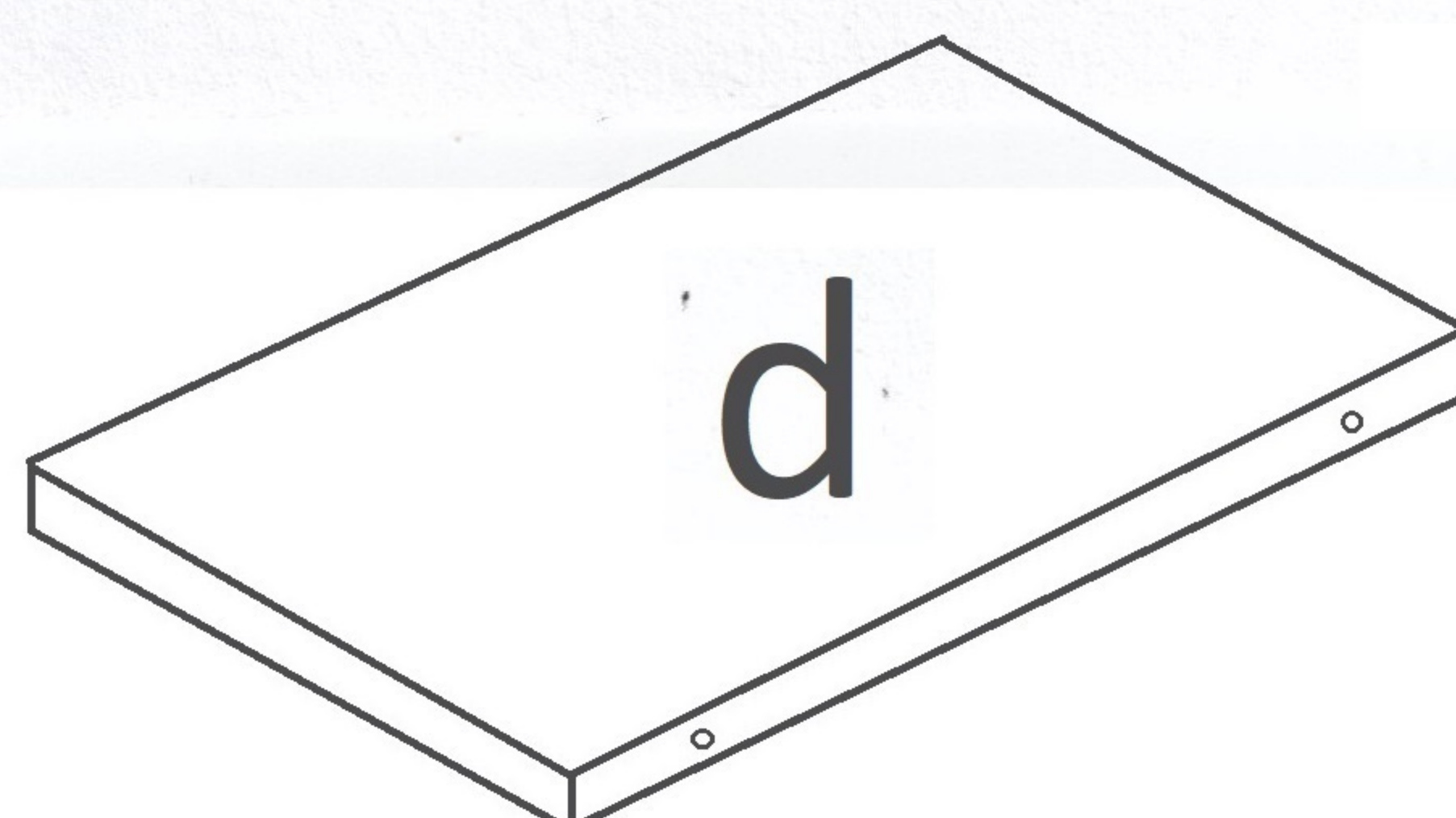


13mm

+



20kg



a		1
b		4
c	 M8x60 + Ø 22mm	4
d		1