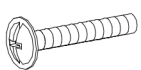


N13
M4x22 x1



W1
GLUE, LEIM, LEPIDLO, LIM x2



I7
ø18 x6



S9
x4



P6
x4



E11
x1



G4
4x16 x12



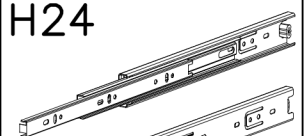
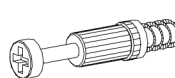
G2
3x20 x4



K1
ø15x12 x6



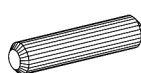
H24
x6



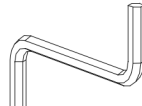
A1
ø7x50 x6



B7
ø8x30 x32



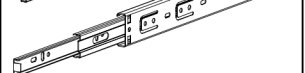
W2
x1



G1
4x13 x10

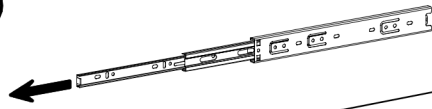


350mm
x1

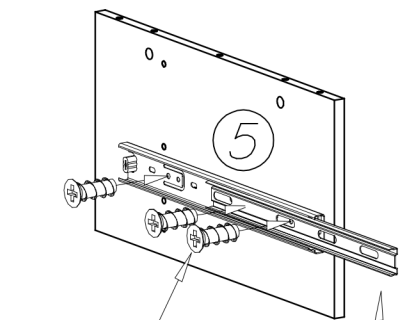
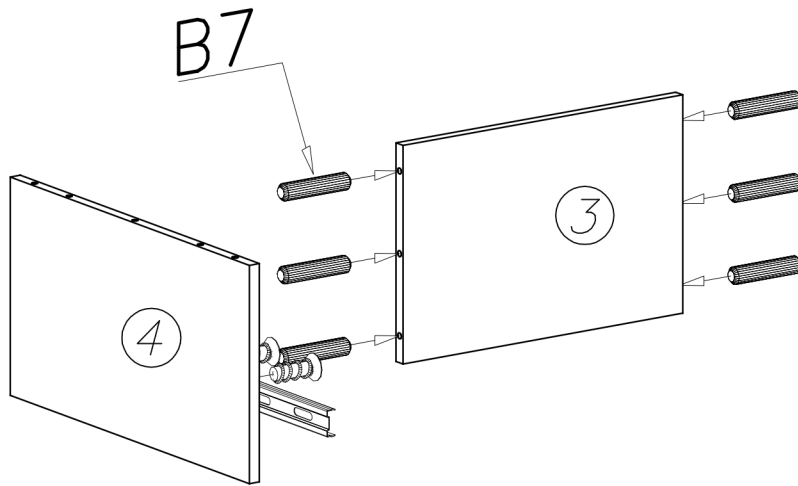
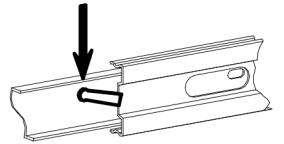
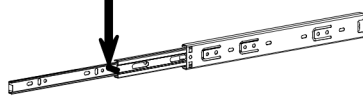


I

A

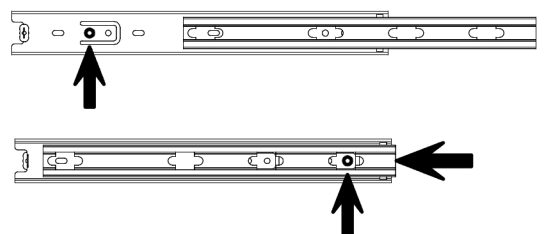
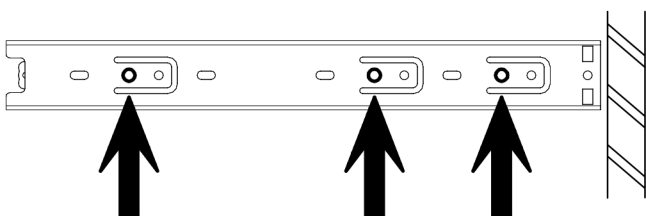
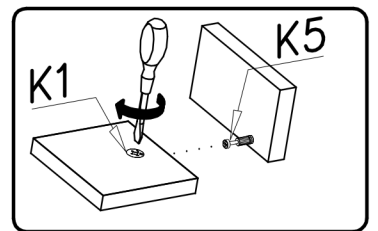
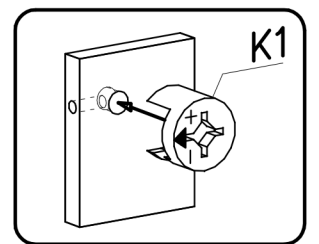
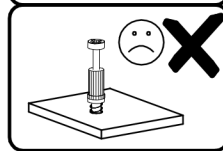
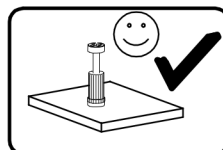
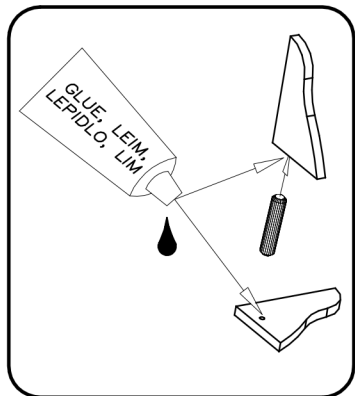
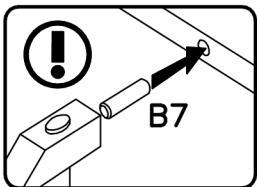


B

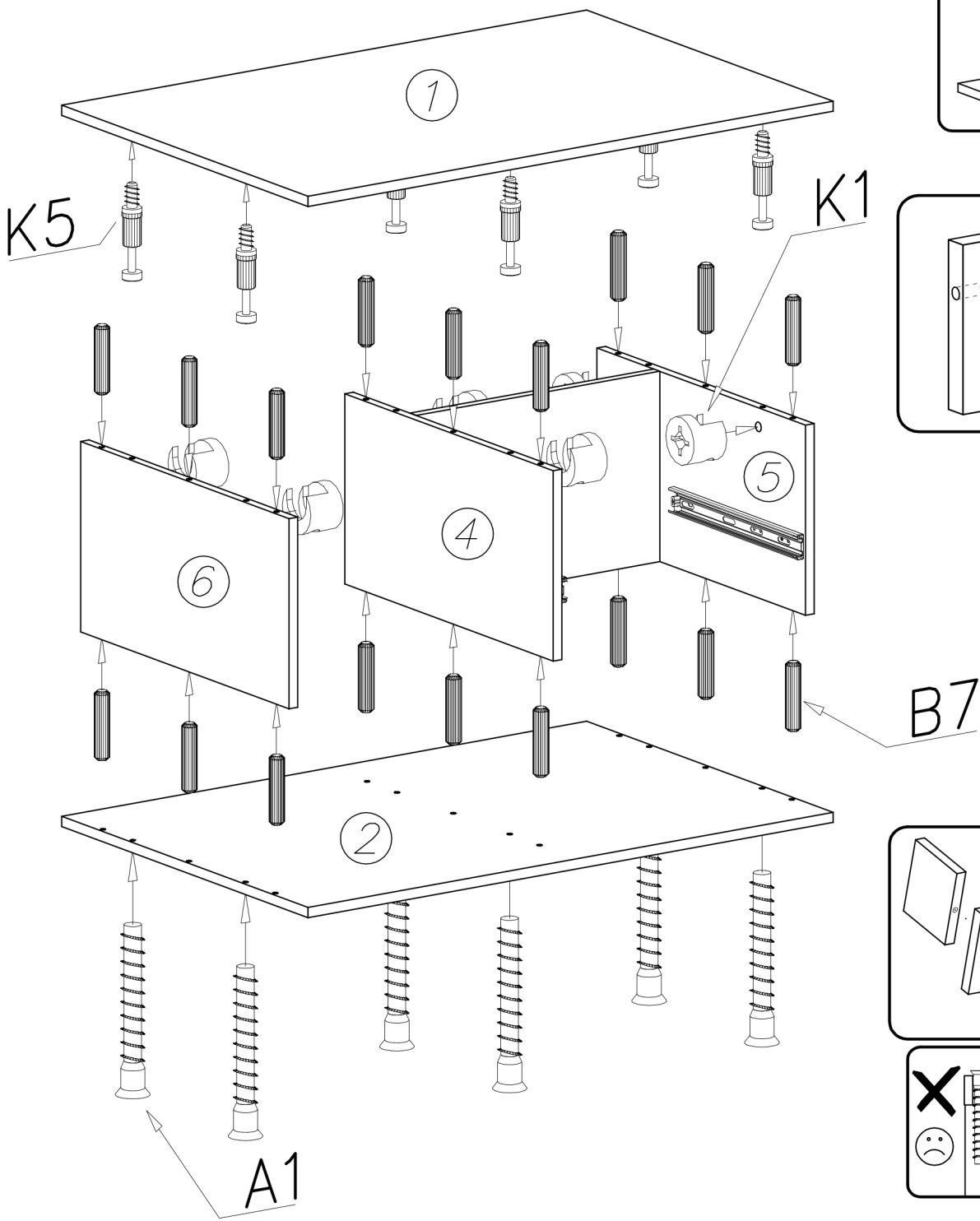
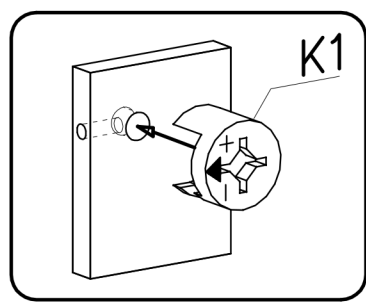
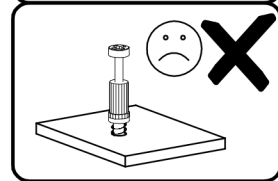
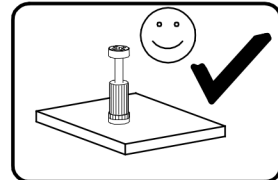
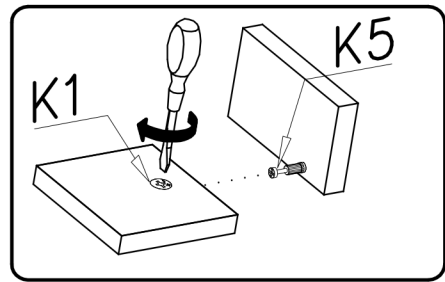
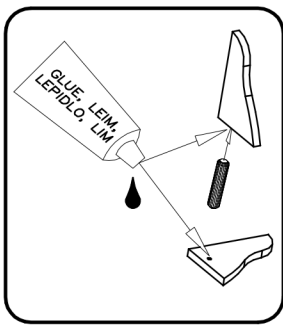
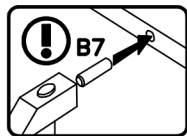


G1

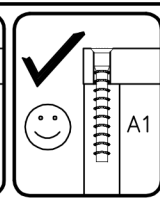
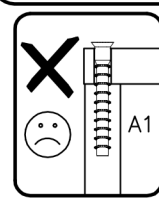
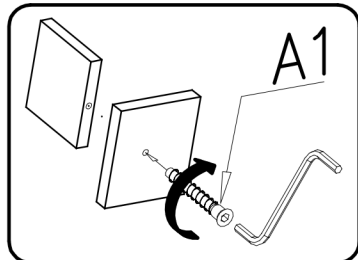
H24



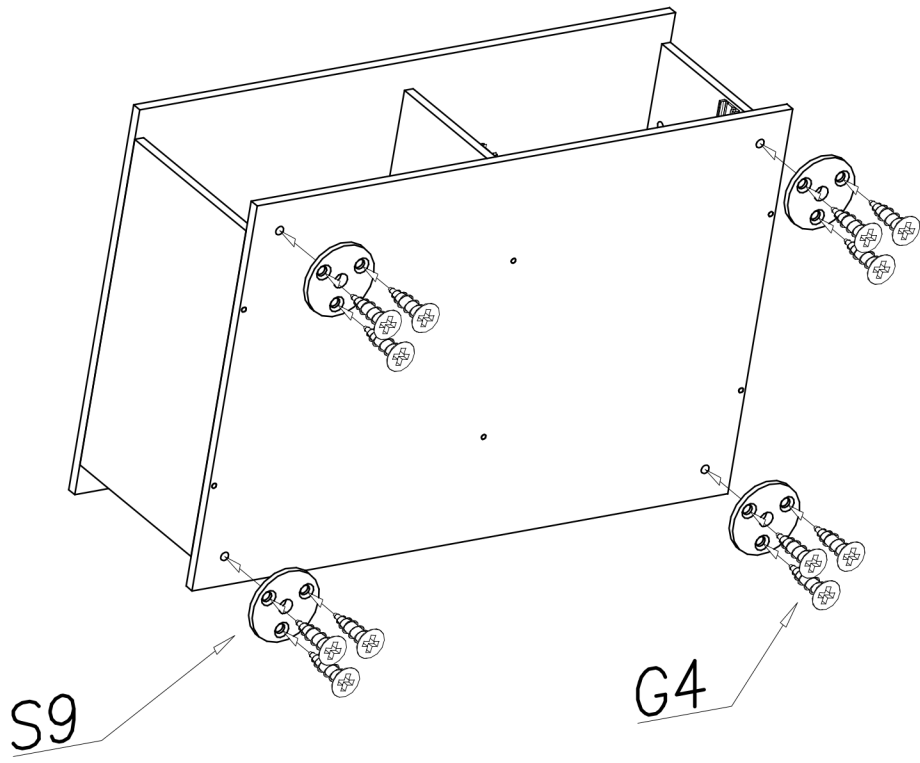
II



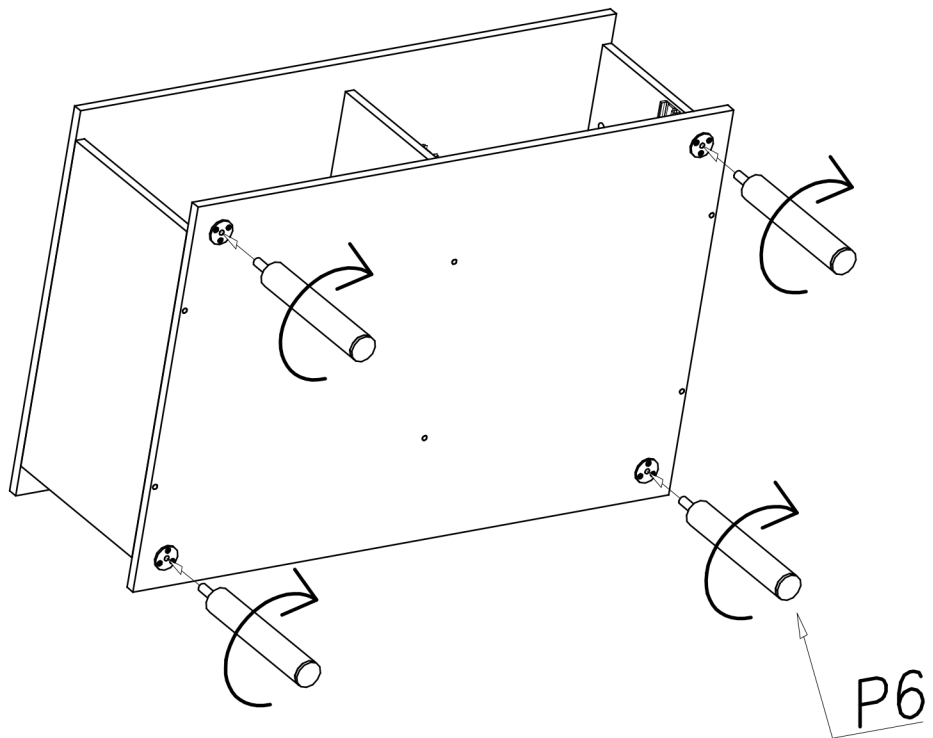
B7



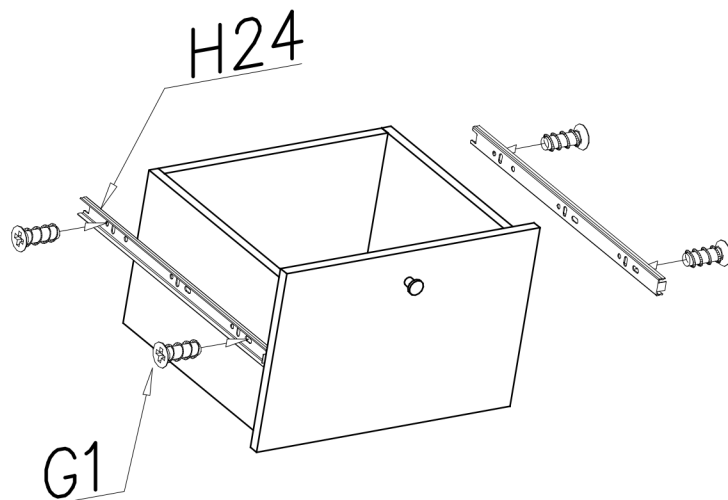
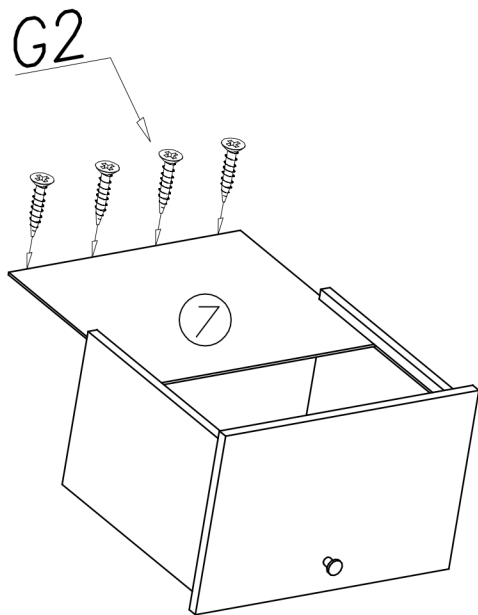
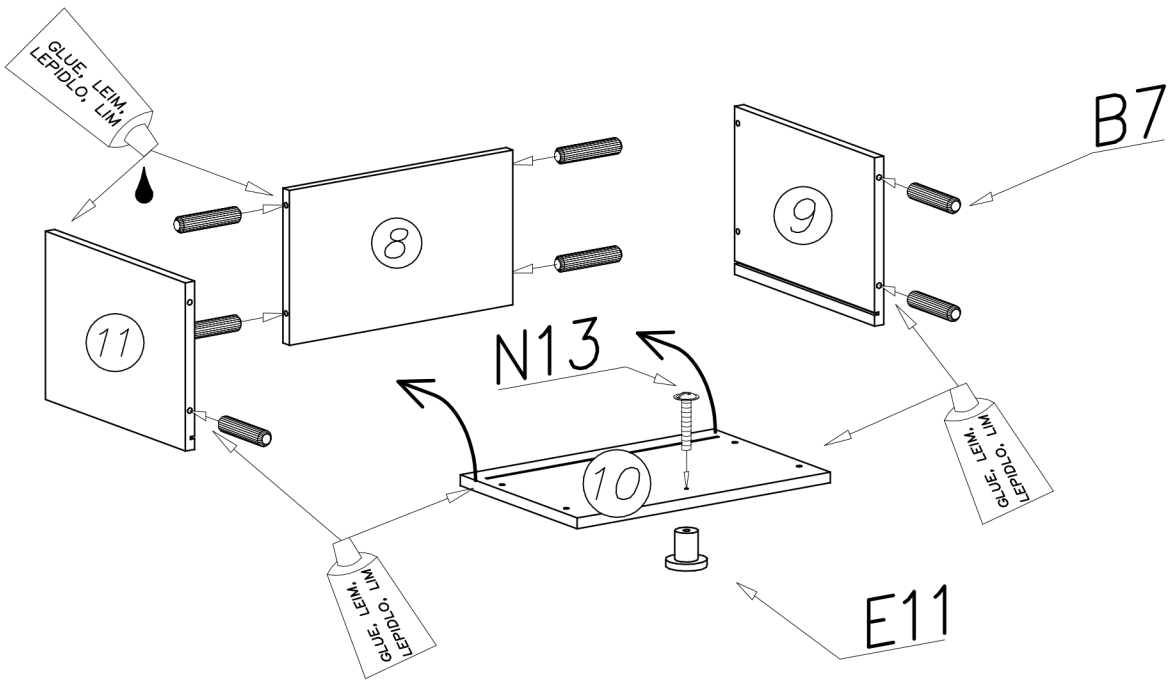
III



IV



V



VI

