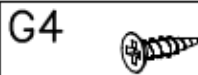


x1



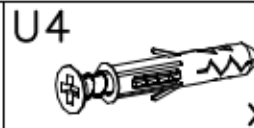
4x16

x4

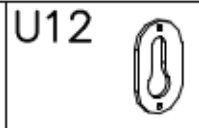


ø18

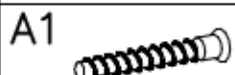
x4



x2



x2



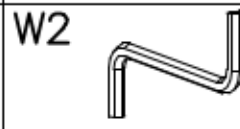
ø7x50

x3



ø8x30

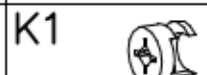
x12



x1



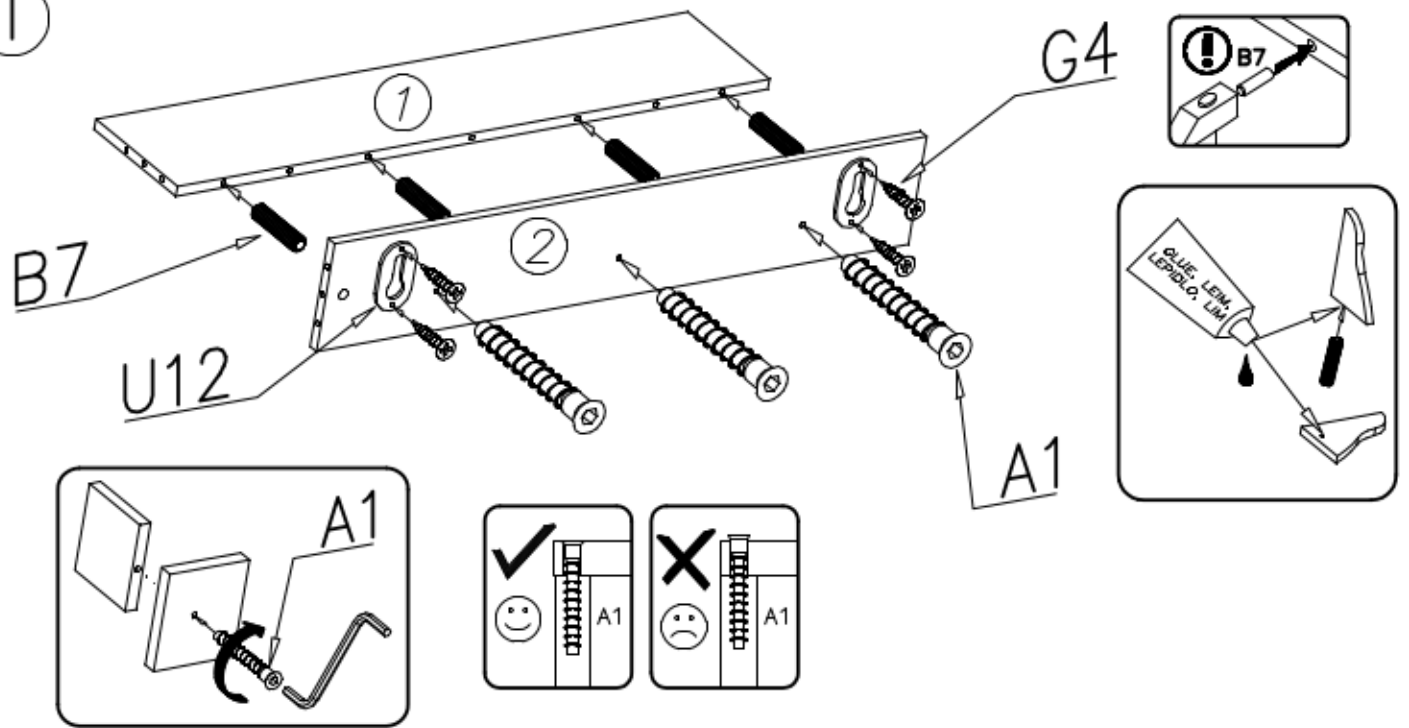
x4



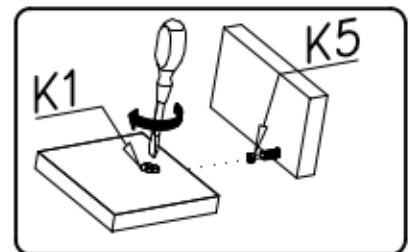
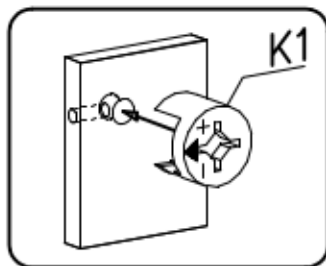
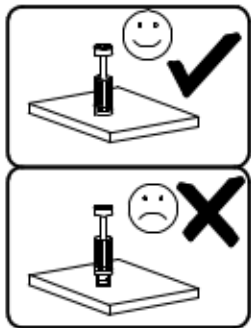
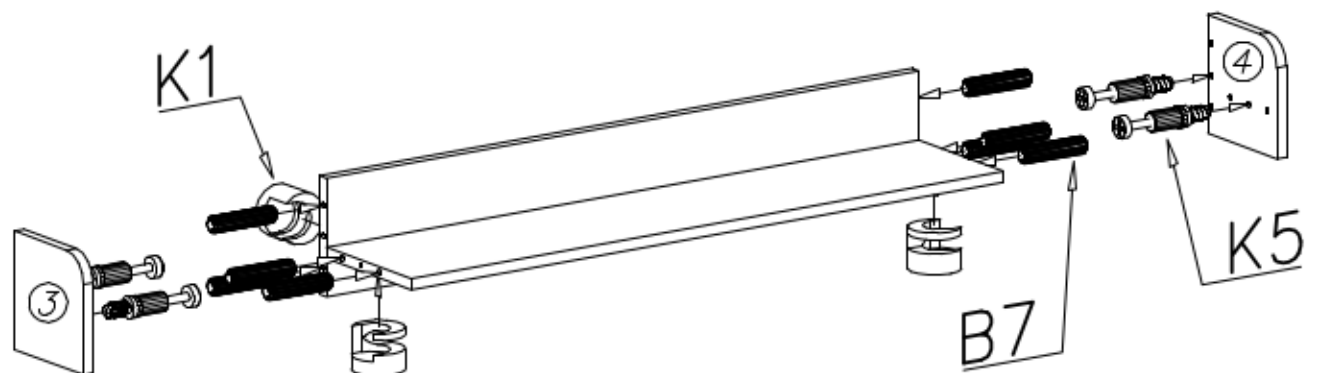
ø15x12

x4

I



II



III

