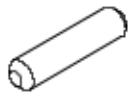












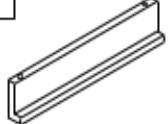




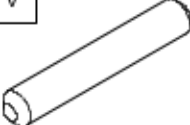
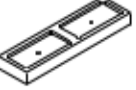
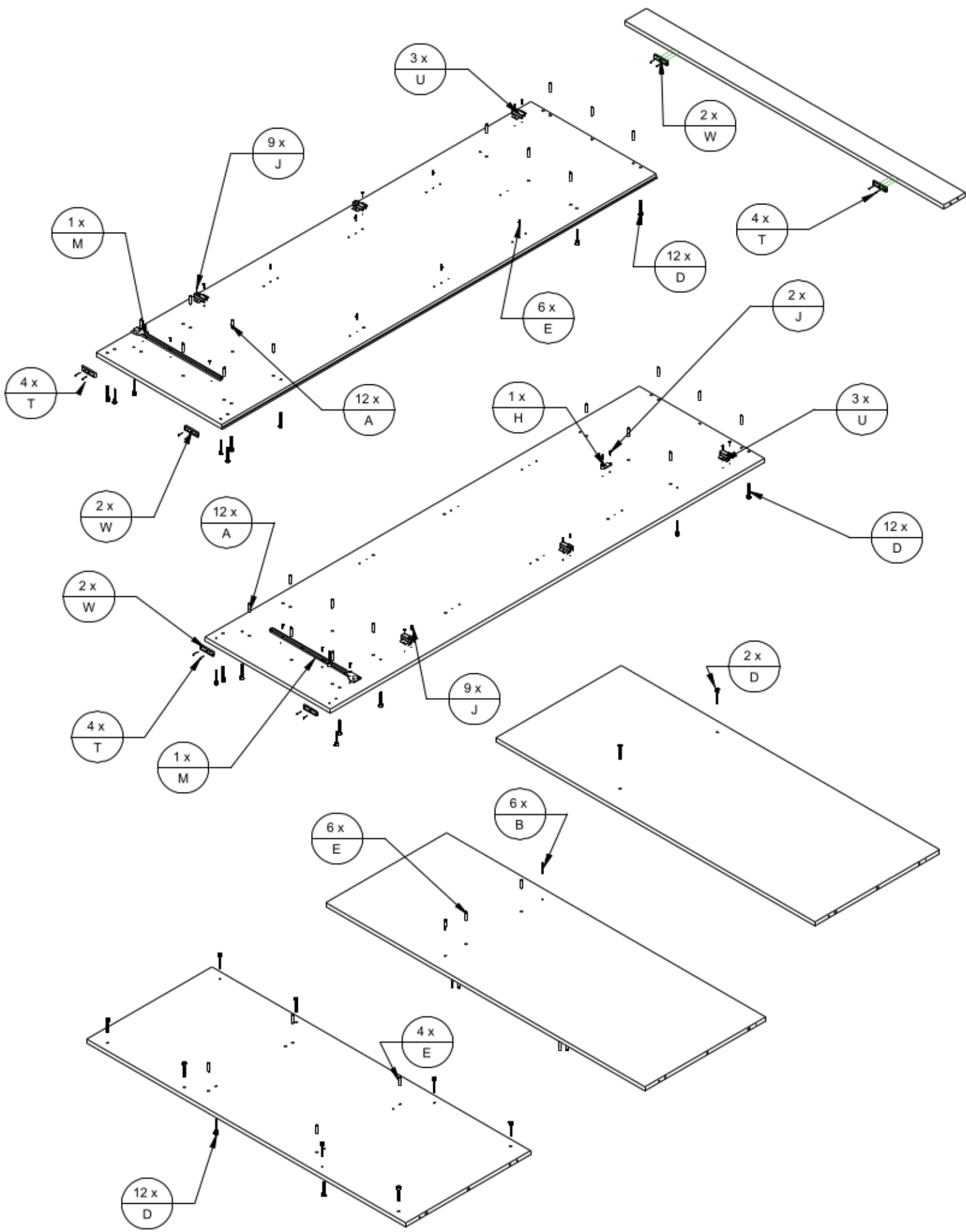
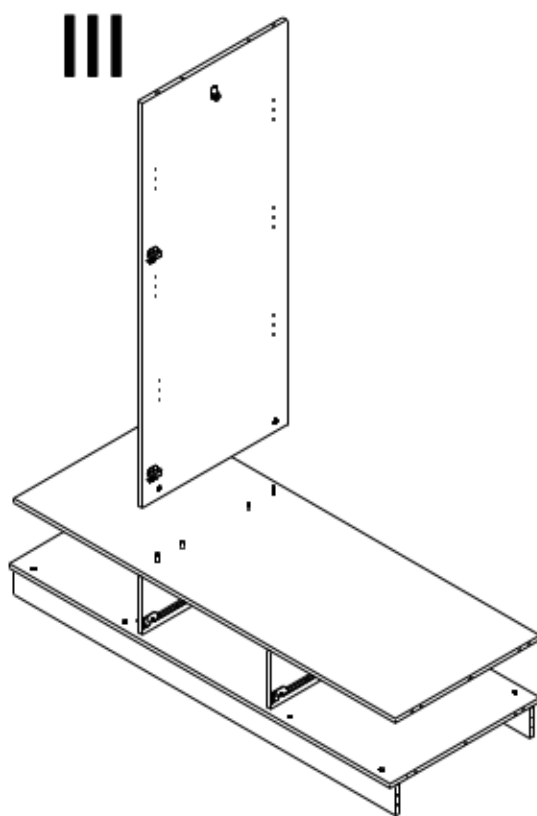
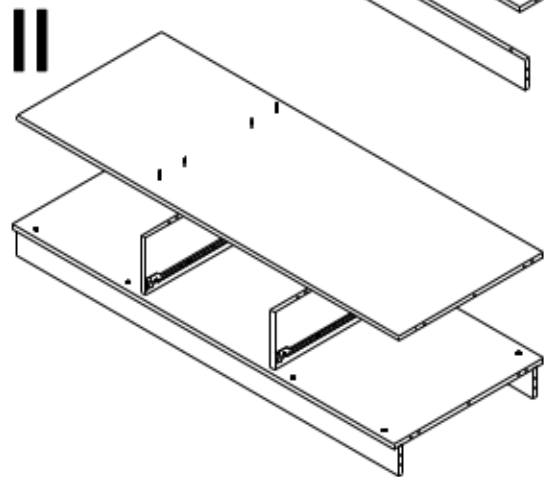
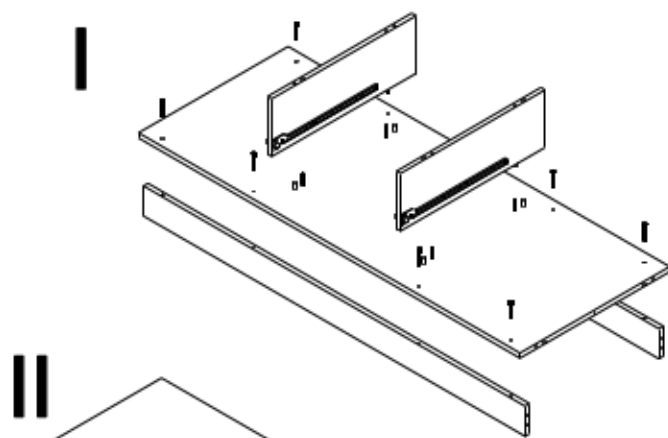
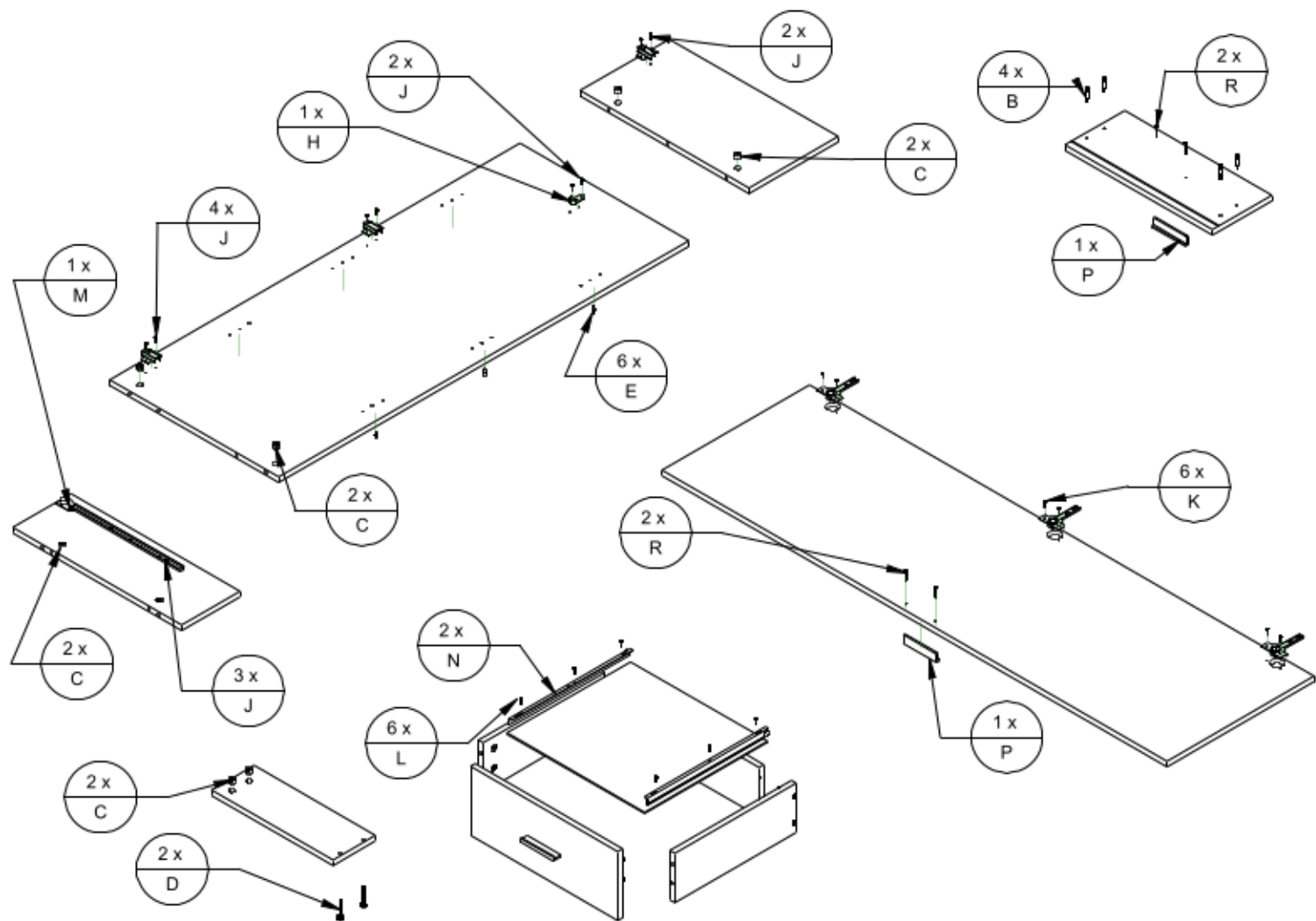
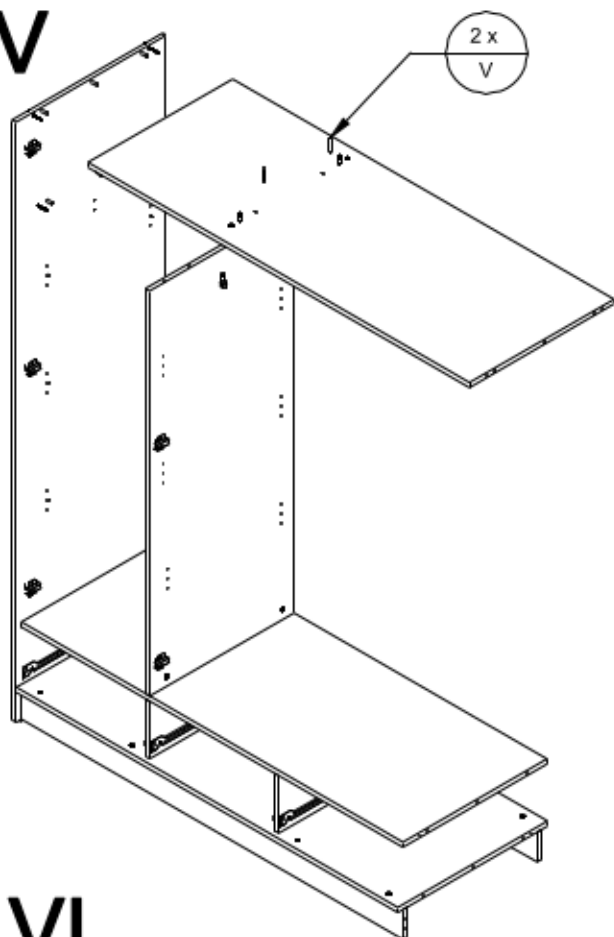


A  34	B  20	C  20	D  52	E  12
F  6	G  3	H  2	J  3,5 x 16 40	K  4 x 16 18
L  3 x 25 18	M  3	N  3	P  6	R  12
S  15	T  140	U  9	V  2	W  8

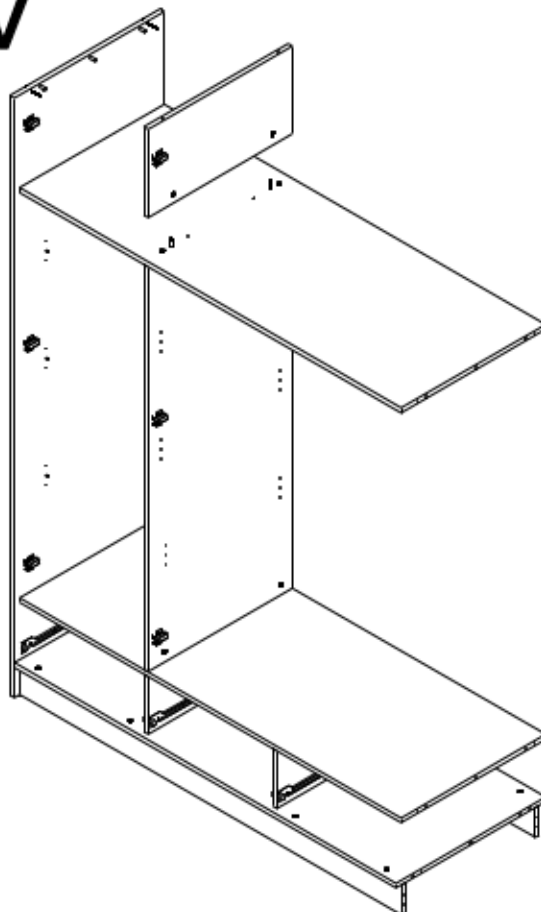




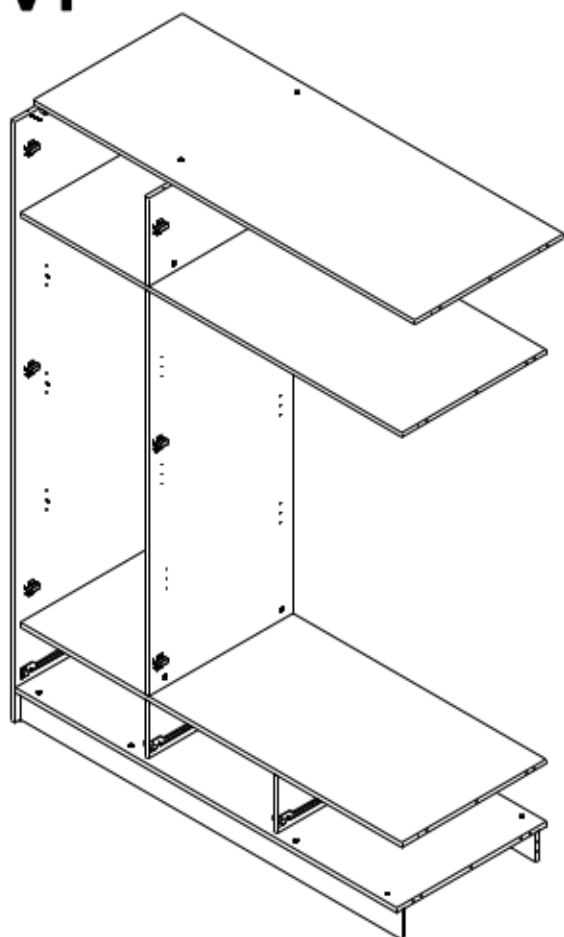
IV



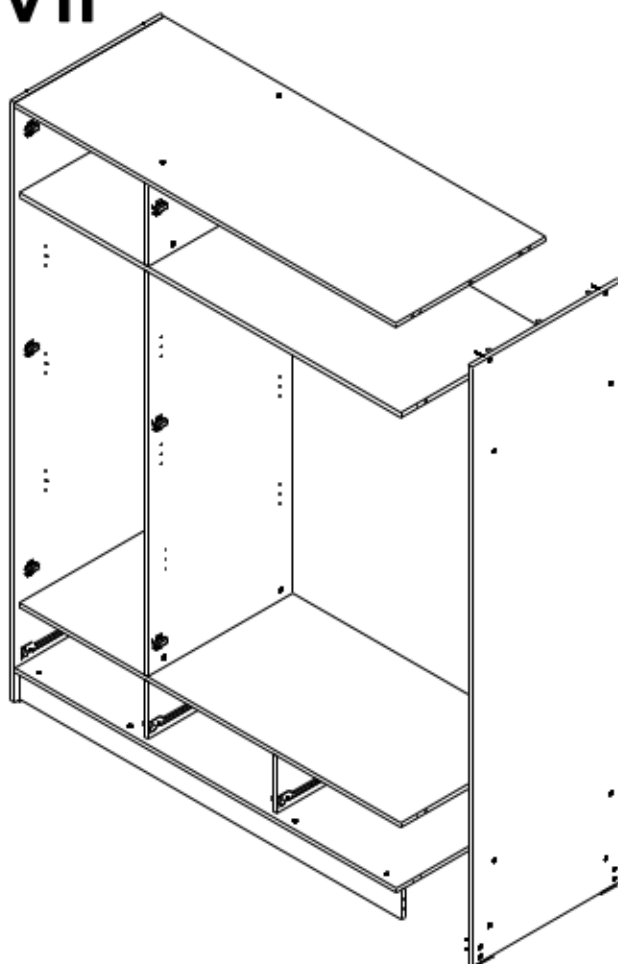
V



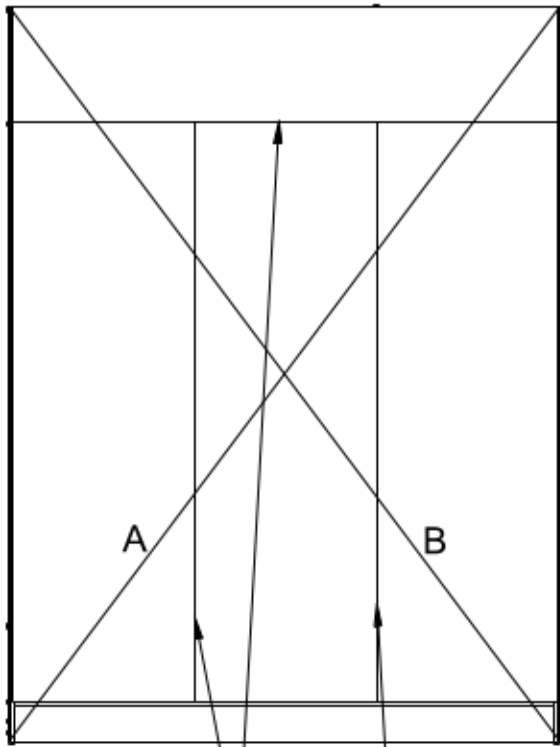
VI



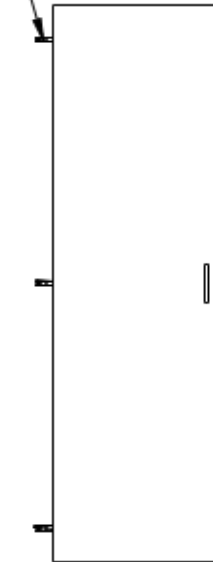
VII



A=B!!!

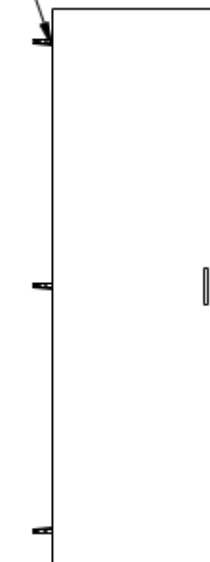


3 x
F



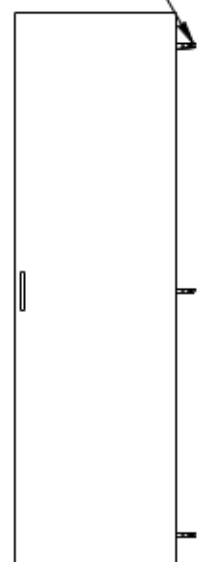
— 1

3 x
G



— 2

3 x
F



— 3

15 x
S

100 x
T

6 x
F



3 x
G

