








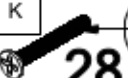



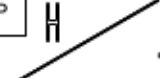


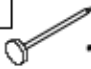


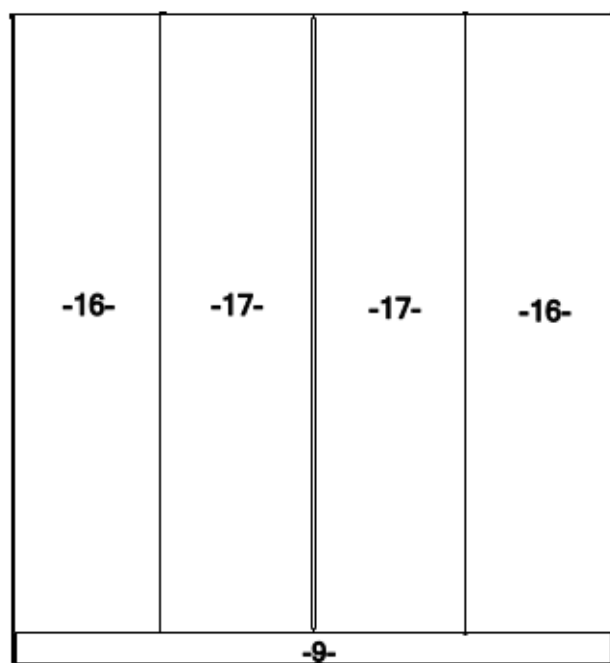
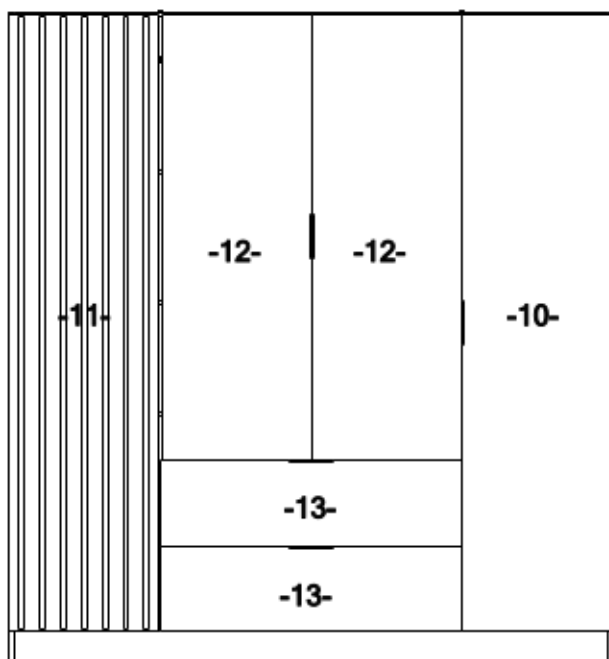
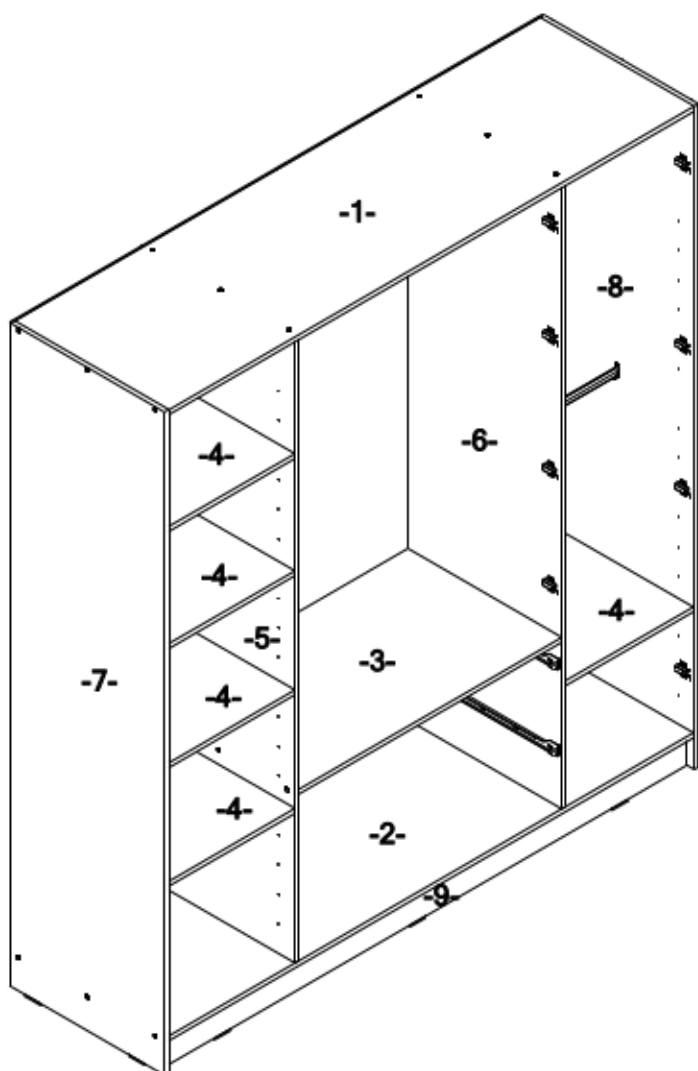
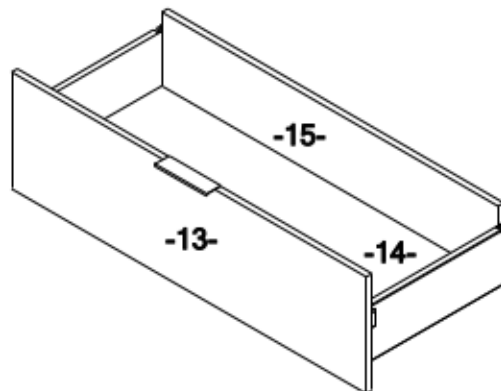
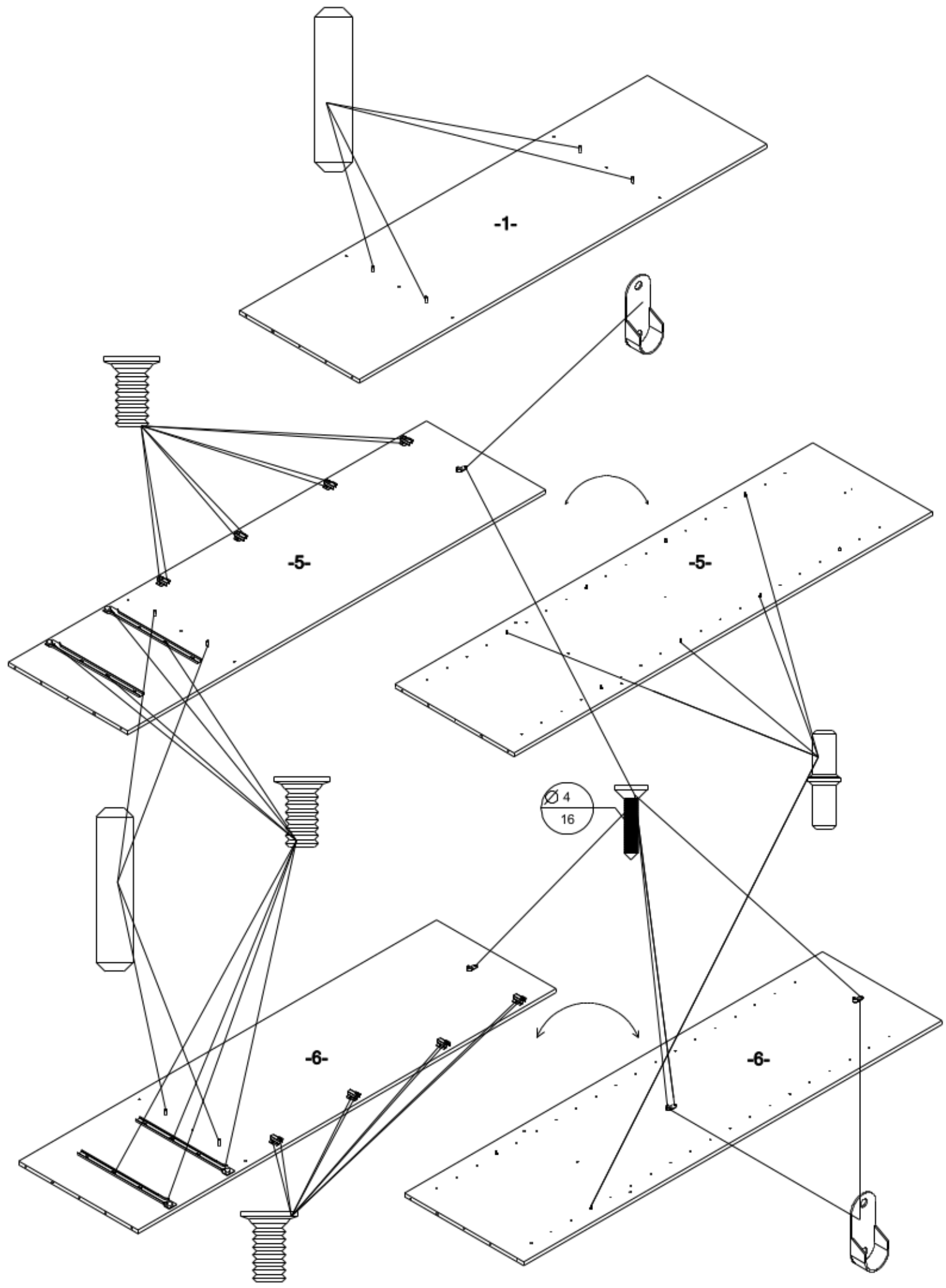
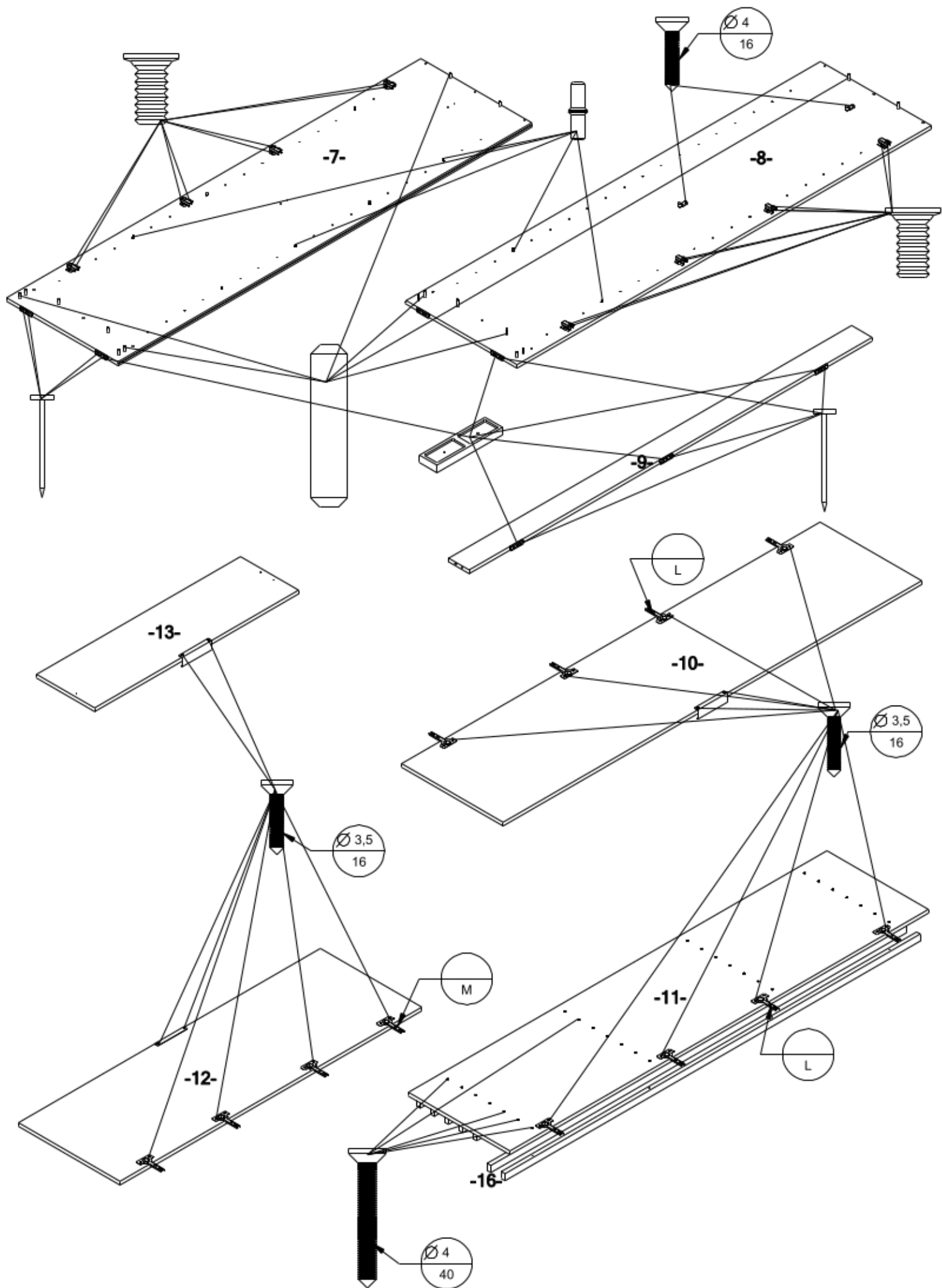


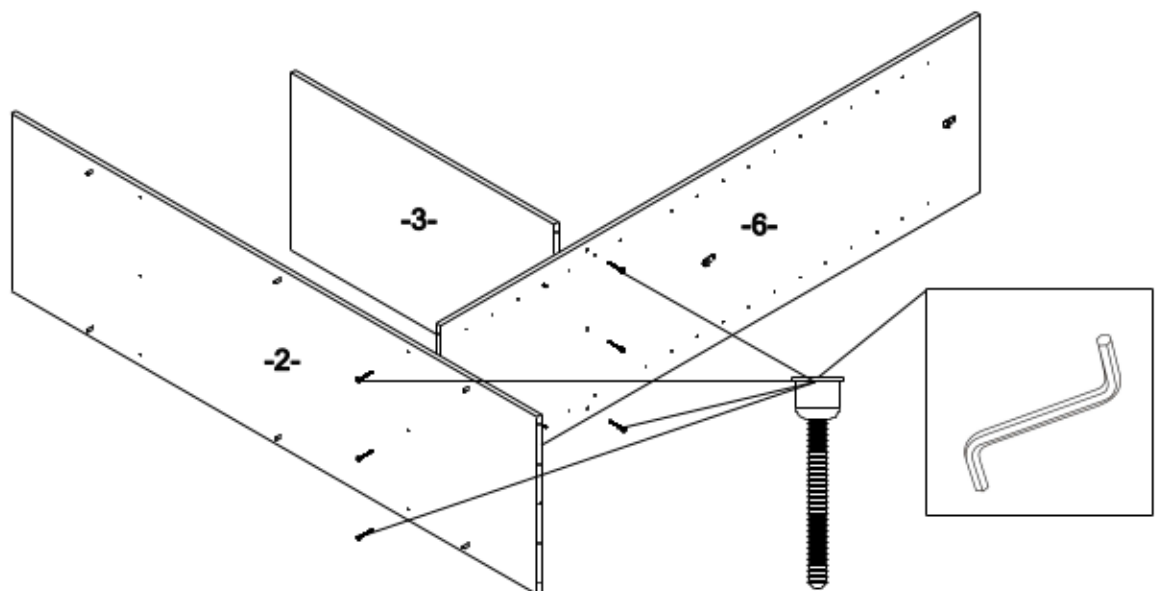
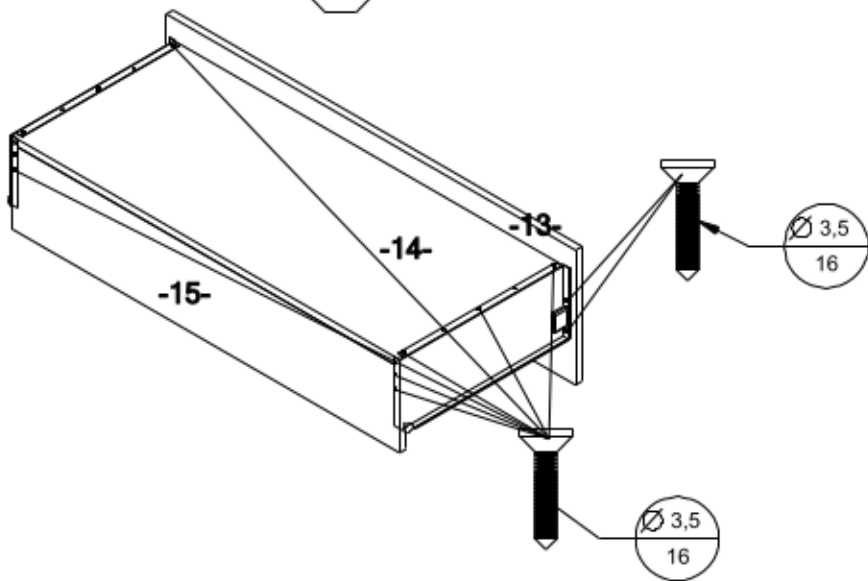
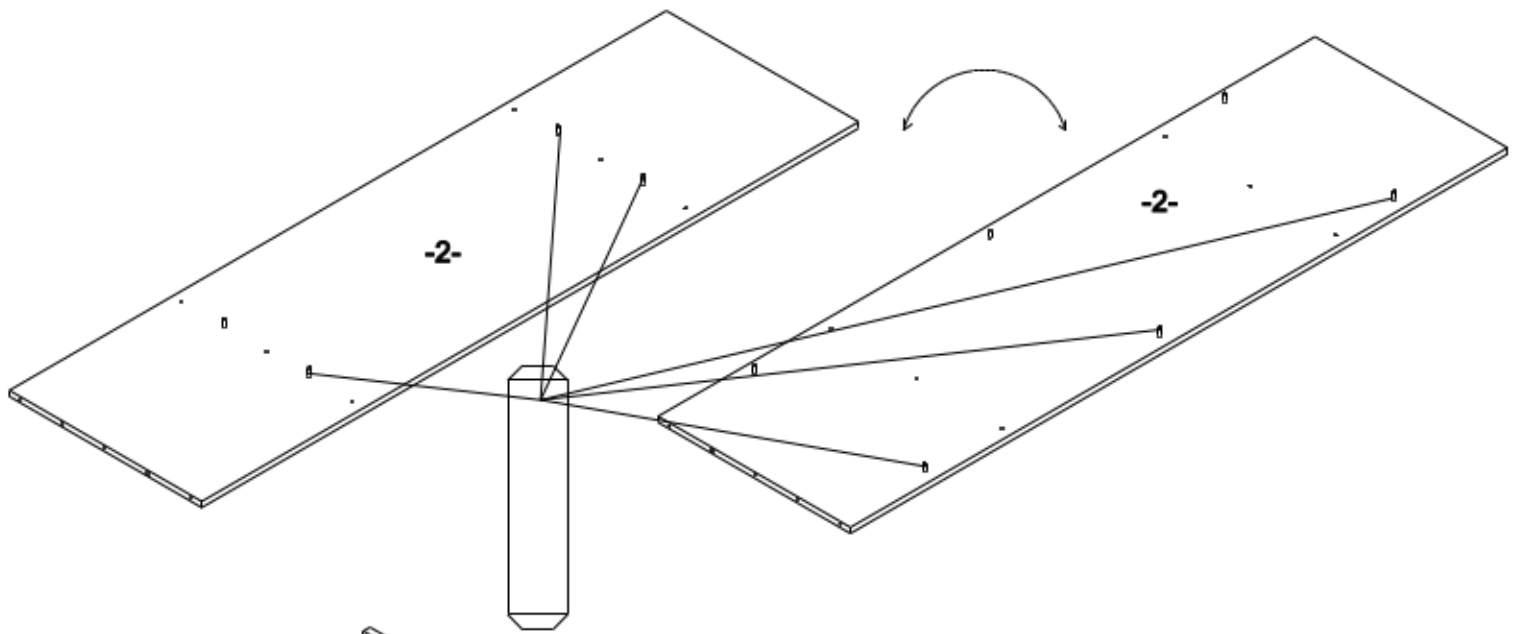
A  34	B  30	C  20	D  10	E  4
F  4	G  40	H  60 $\varnothing 3,5$ 16	J  12 $\varnothing 4$ 16	K  28 $\varnothing 4$ 40
L  8	M  8	N  6	P  1	R  3
S  5	T  120	U  20	V  1	

-1-	1968x576	-10-	2044x496
-2-	1968x576	-11-	2044x496
-3-	984x576	-12-	2x 1474x496
-4-	5x 476x566	-13-	2x 996x284
-5-	2018x576	-14-	2x 953x398
-6-	2018x576	-15-	2x 952x180
-7-	2150x580	-16-	2x 2046x504
-8-	2150x580	-17-	2x 2046x487
-9-	2x 1968x100	-18-	7x 2028x30

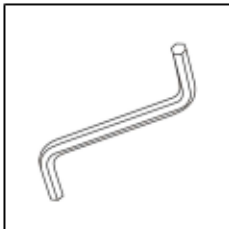
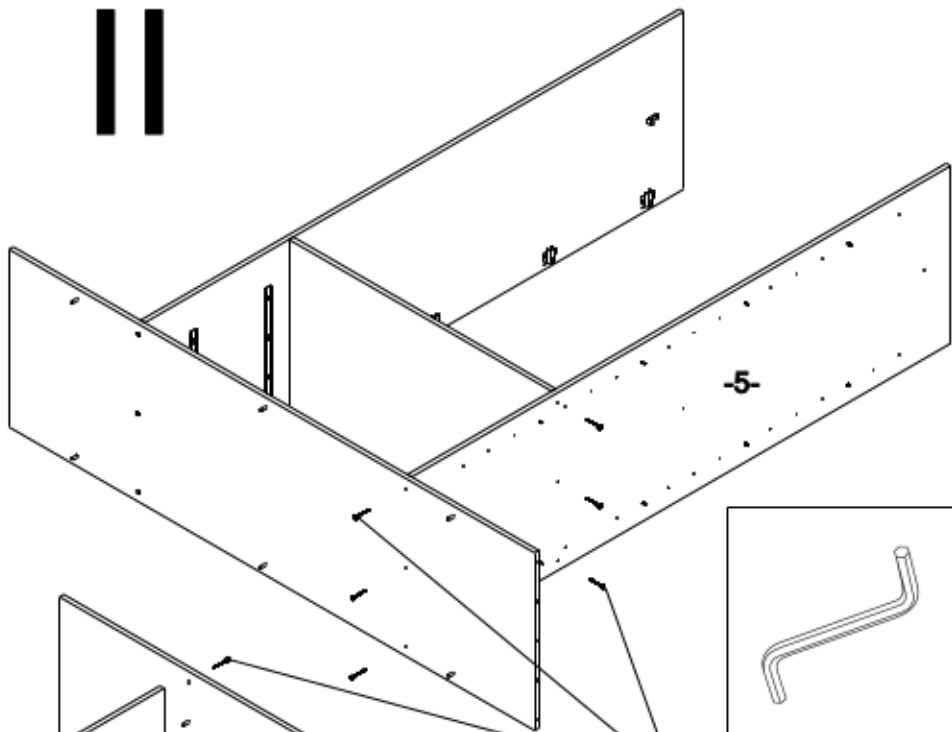




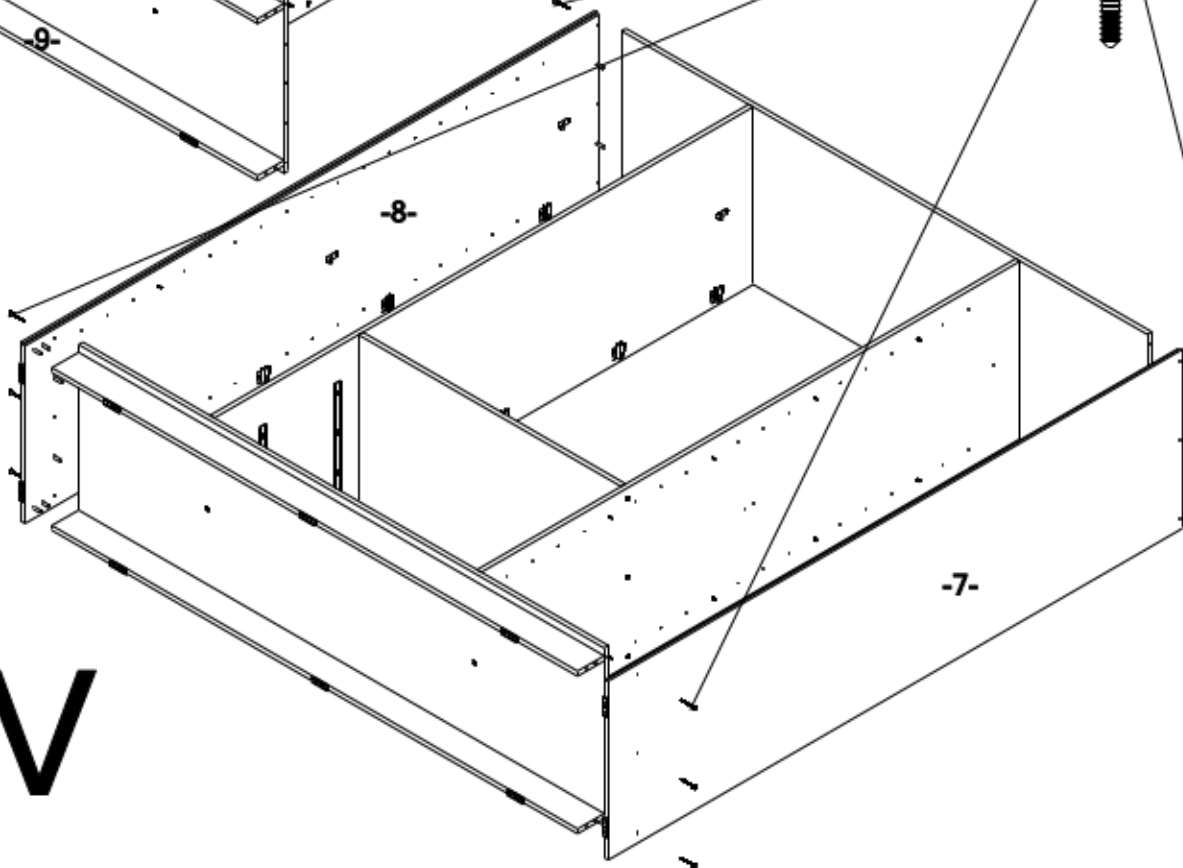
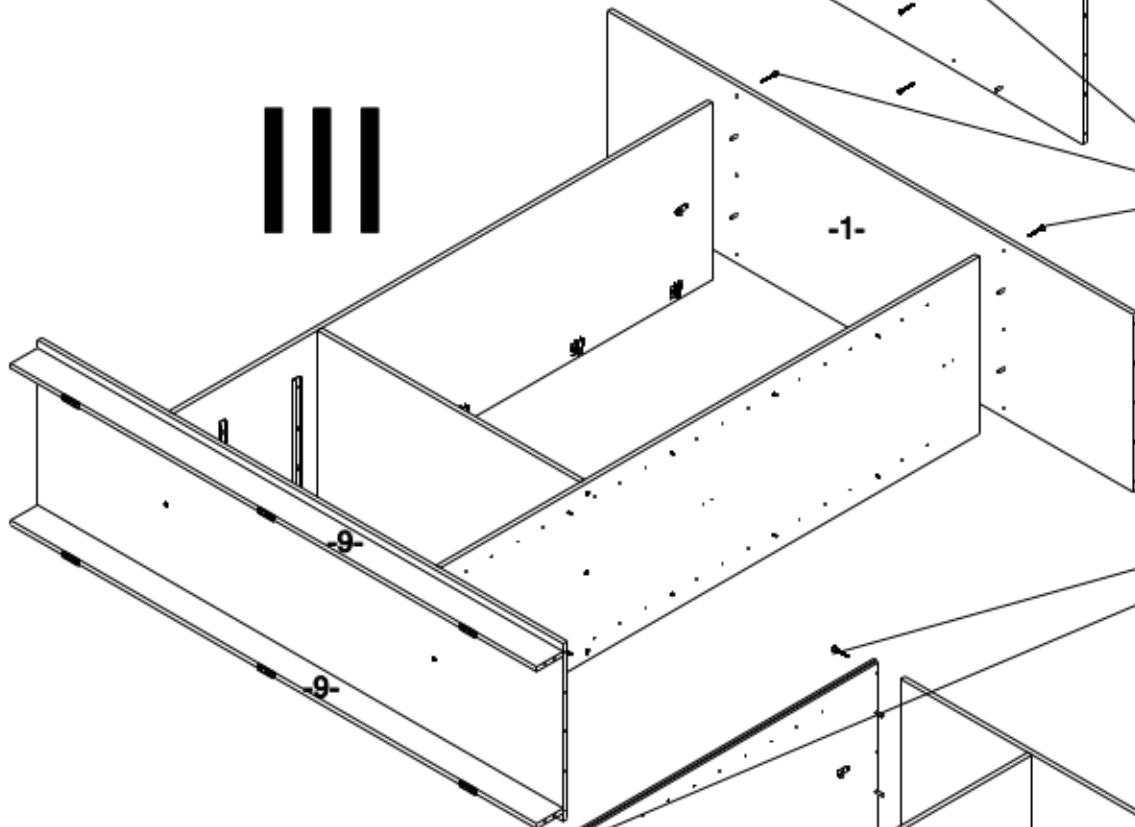




II



III



IV

