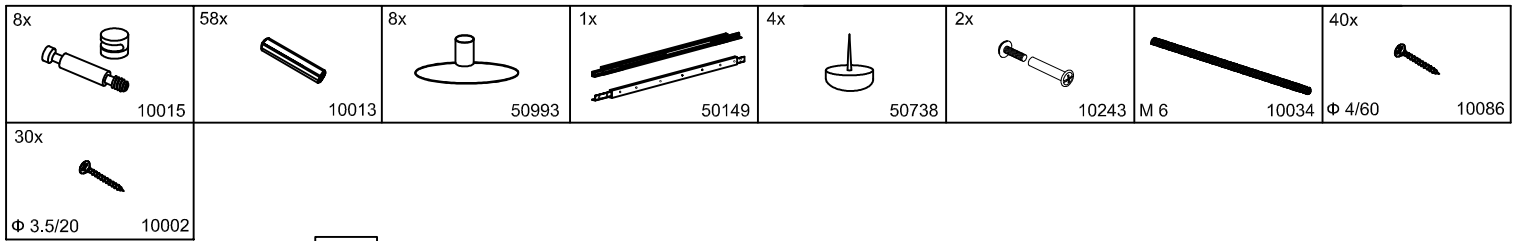
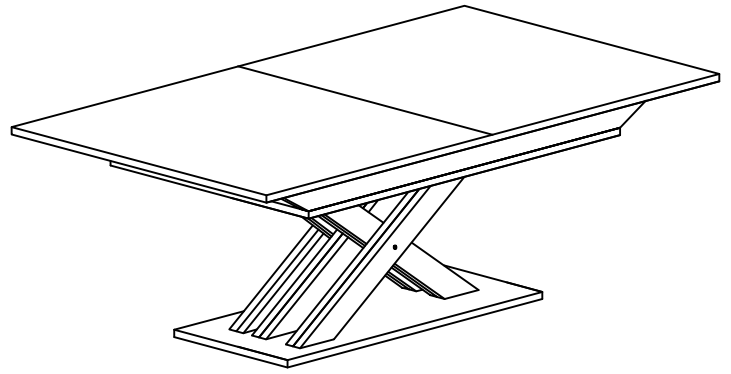
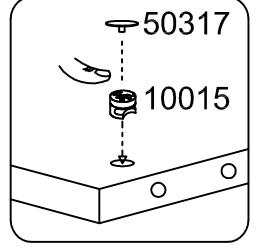
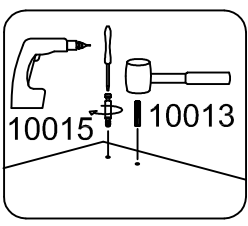
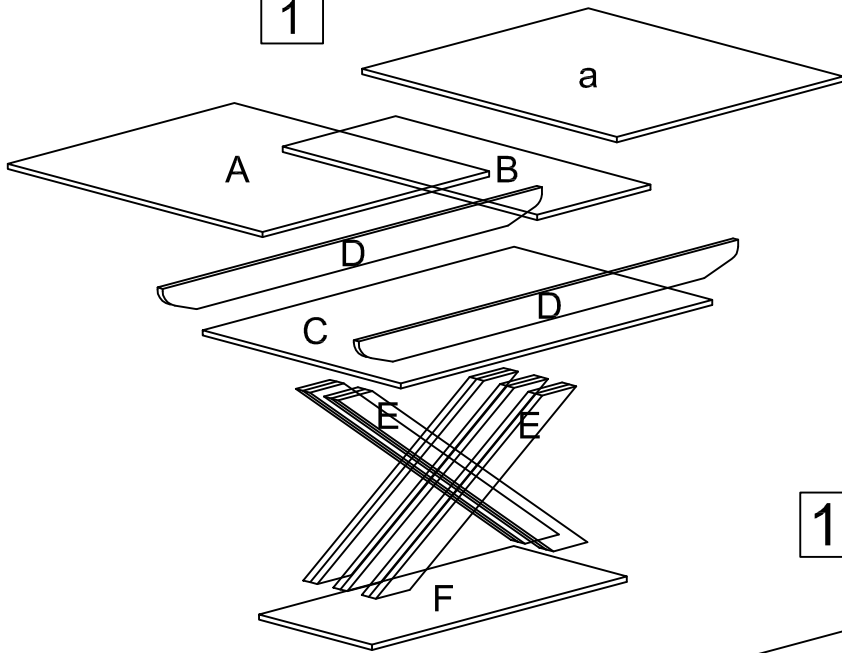


# City 6227

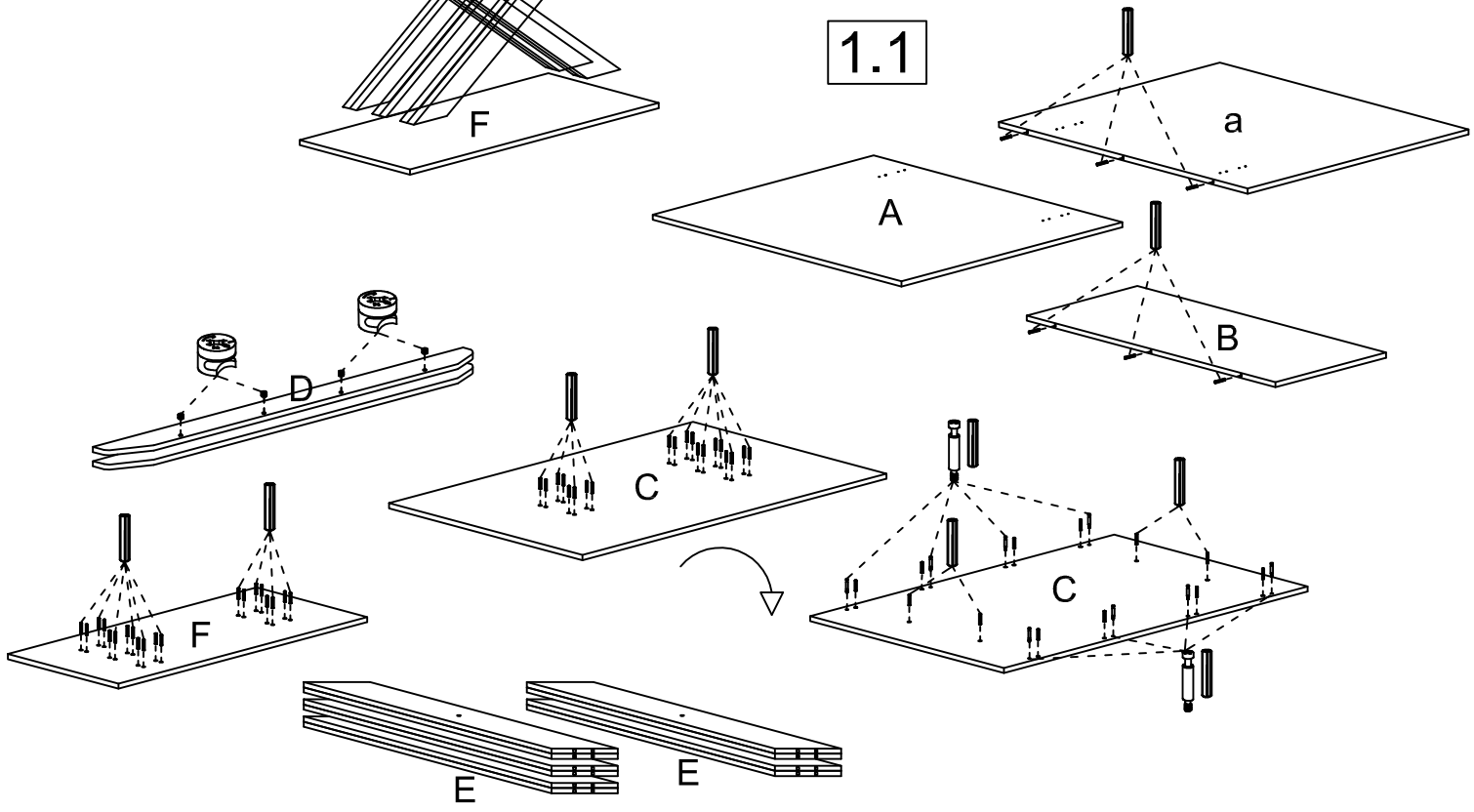
A/a	2x 900x800	1/4
B	400x900	3/4
C	1100x700	2/4
D	2x 1340x100	4/4
E	5x 897x120	3/4
F	400x900	3/4



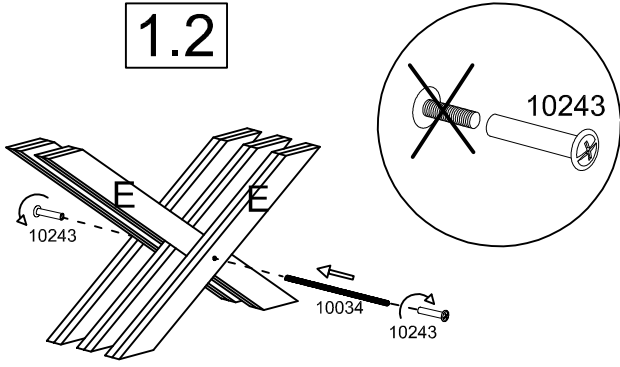
1



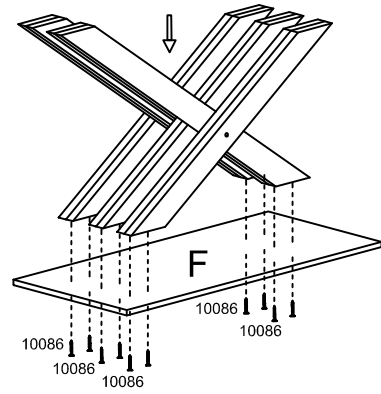
1.1



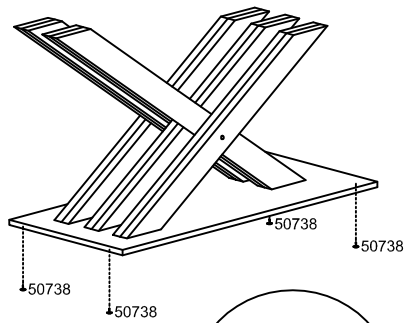
1.2



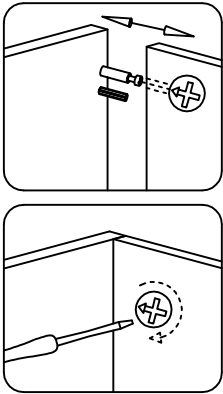
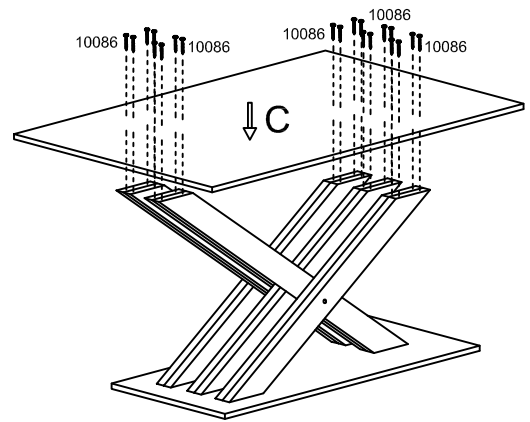
1.3



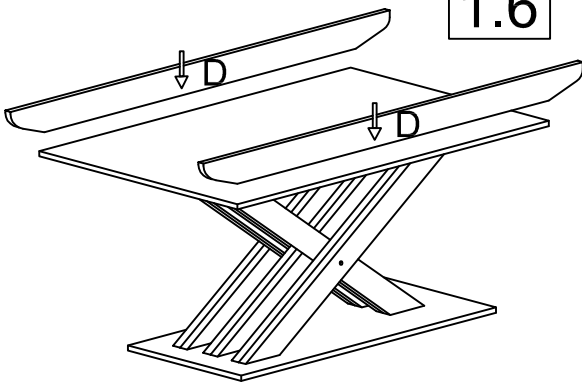
1.4



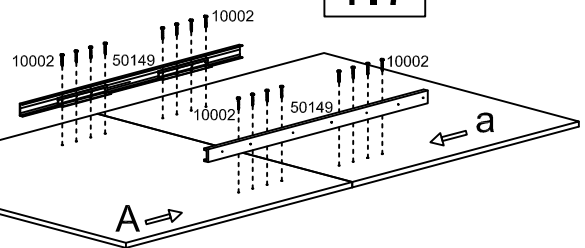
1.5



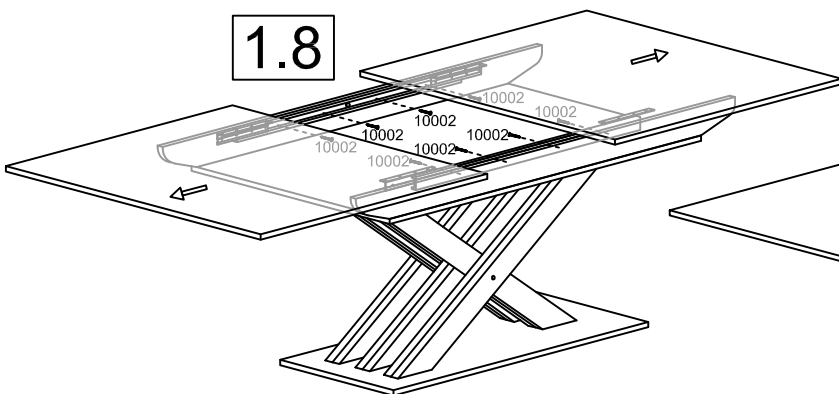
1.6



1.7



1.8



1.9

