

N13



M4x22 x1

E8



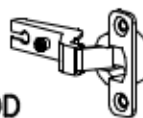
x1

D4



PZ350D x2

C4



Z350D x2

G4



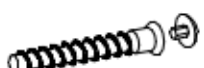
4x16 x8

U12



x2

A1



ø7x50 x12

B7



ø8x30 x23

W2



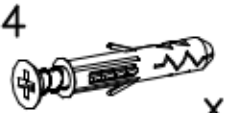
x1

W1



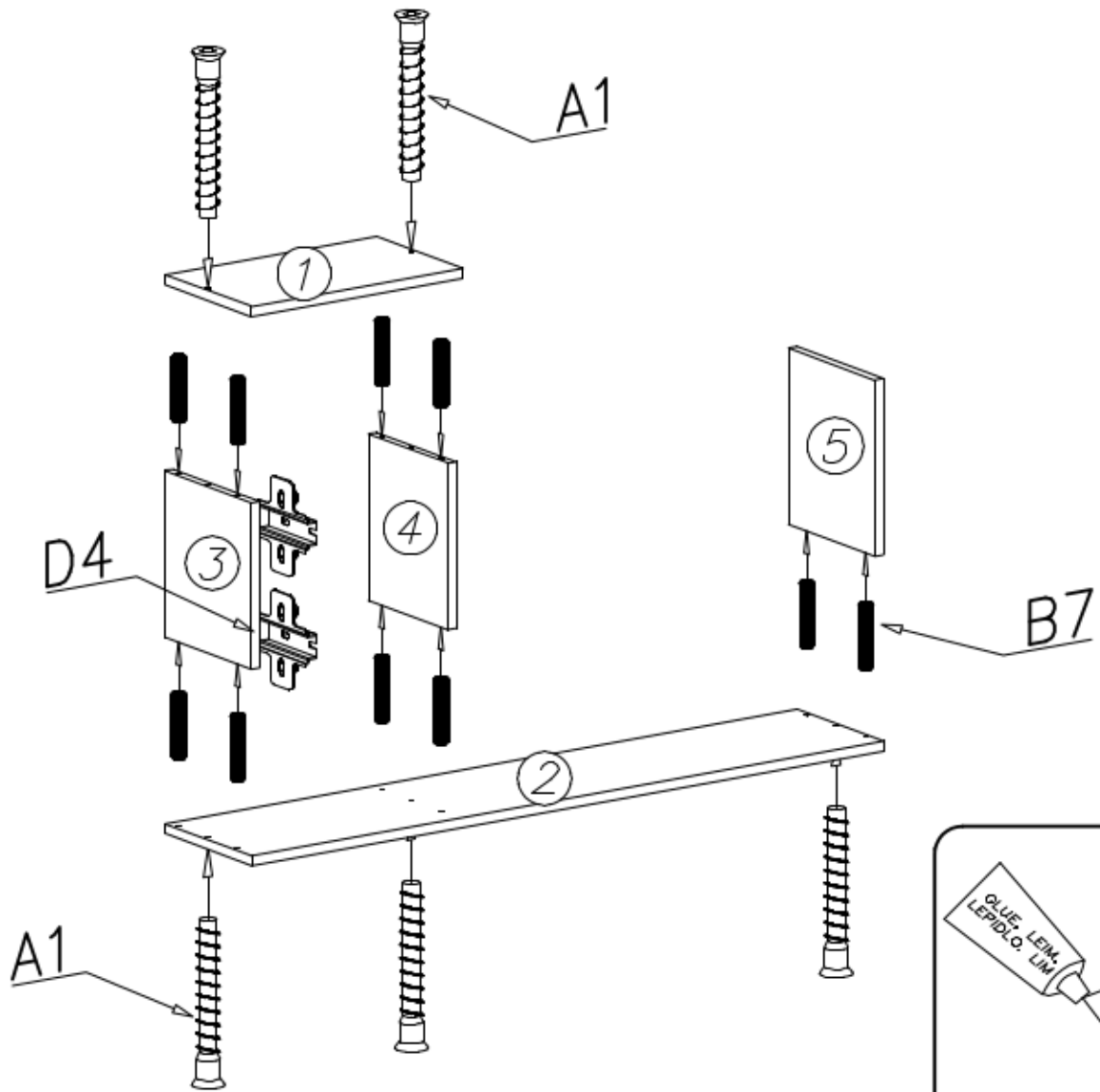
x1

U4

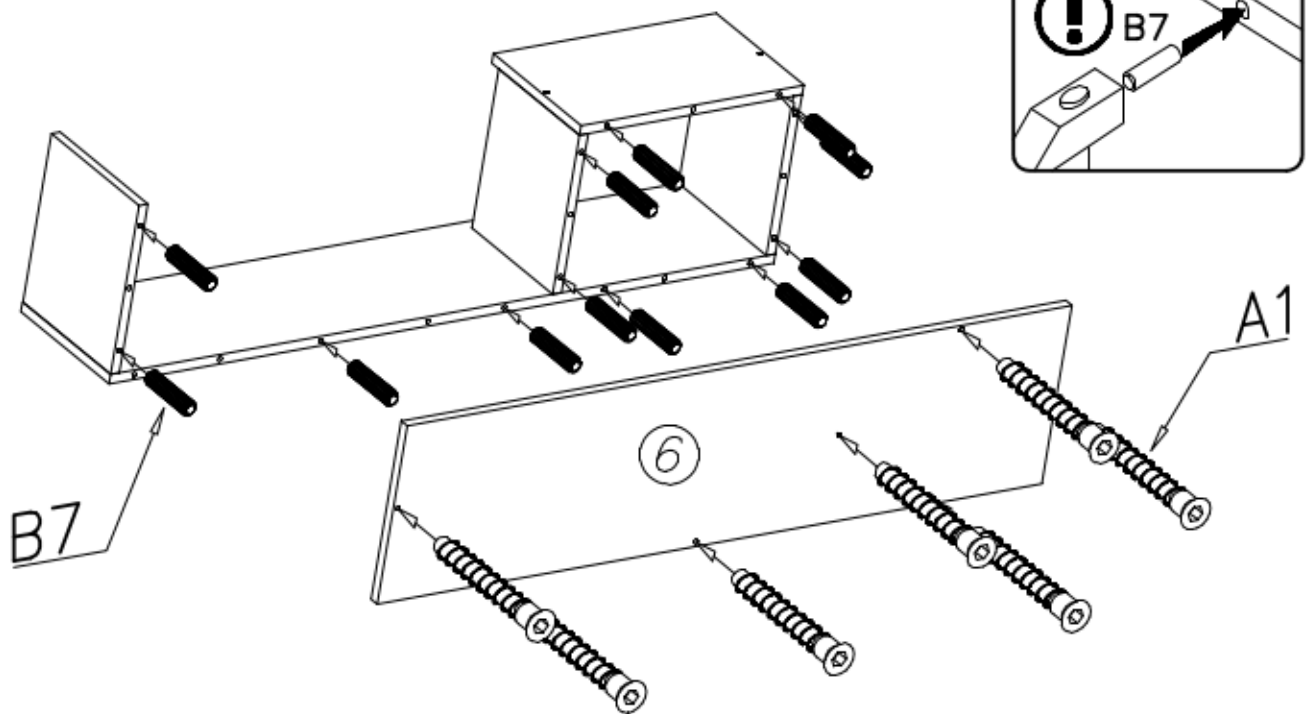


x2

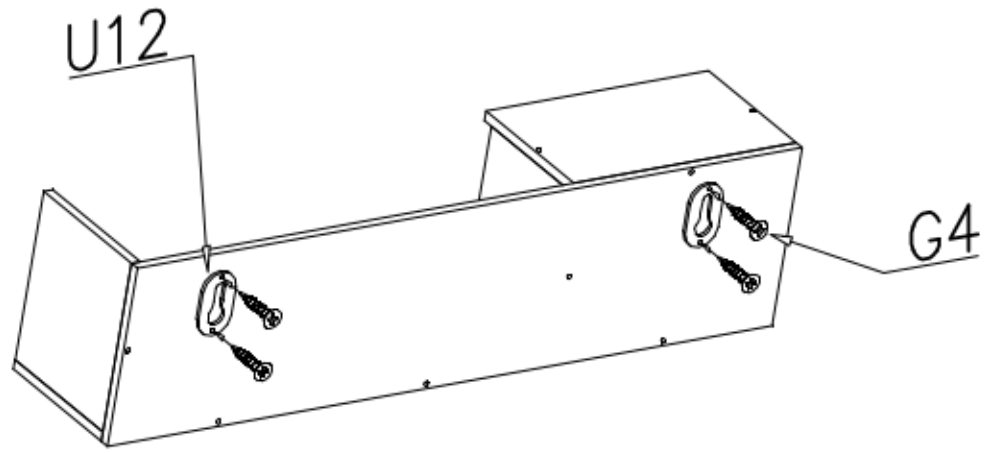
①



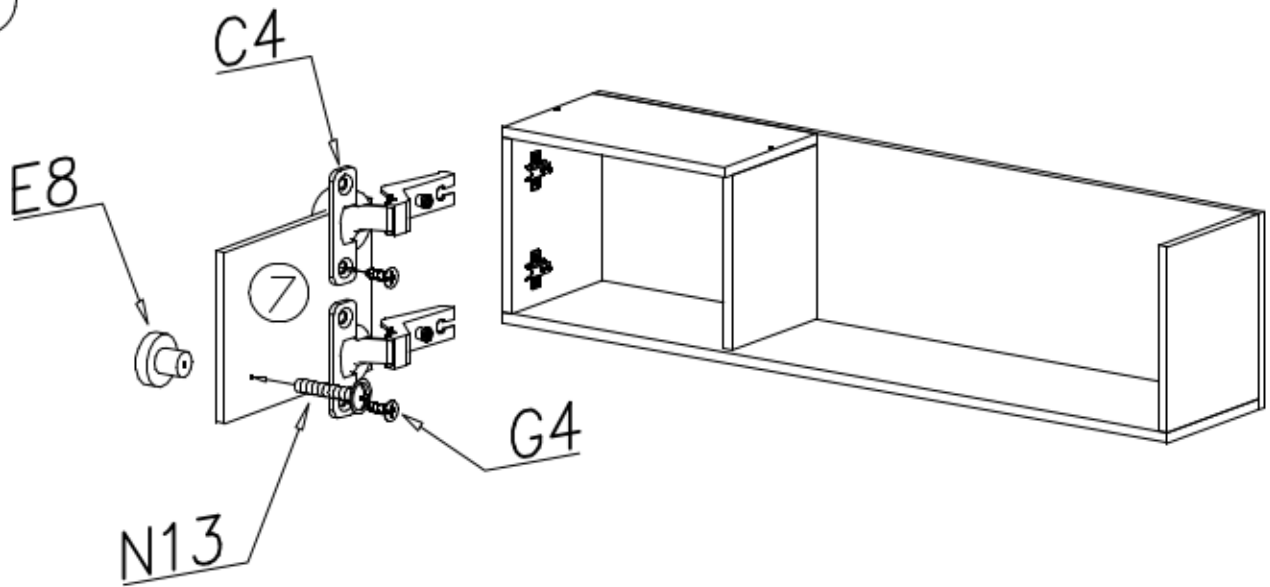
②



III



IV



V

