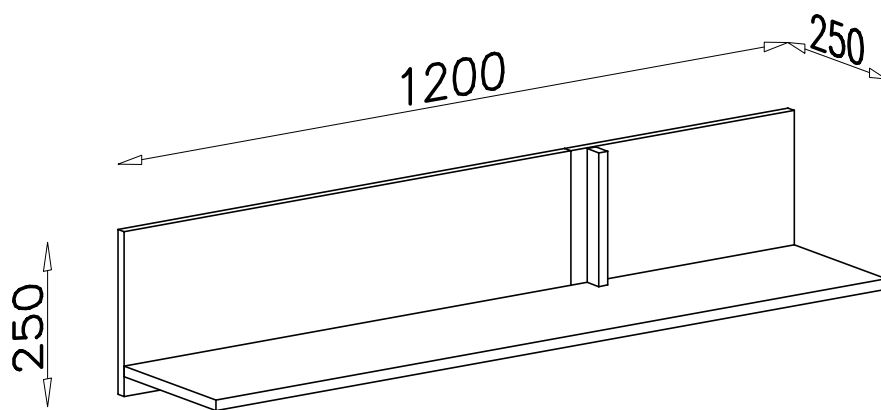
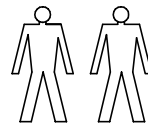
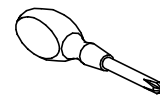
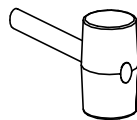
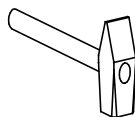
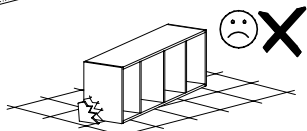
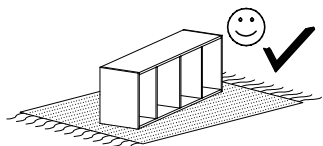
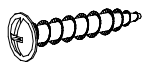





RM 13

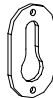



G8 
4x30 x1


B2 
ø6x30 x2

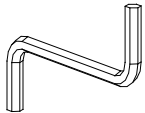
E9 
203mm x1


G4 
4x16 x4

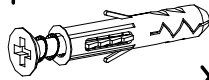
U12 
x2

A1 
ø7x50 x4

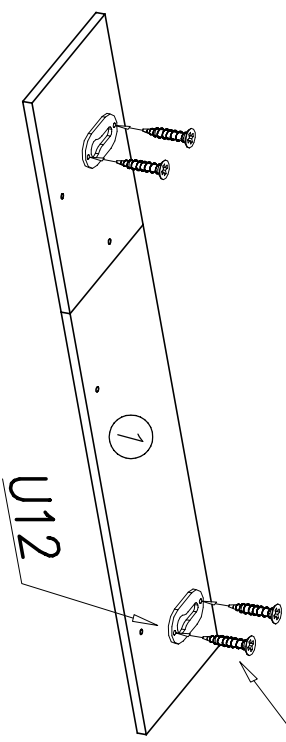
B7 
ø8x30 x4

W2 
x1

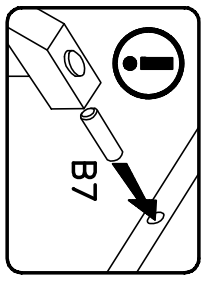
W1 
GLUE, LEIM, LEPIDLO, LIM
x1

U4 
x2

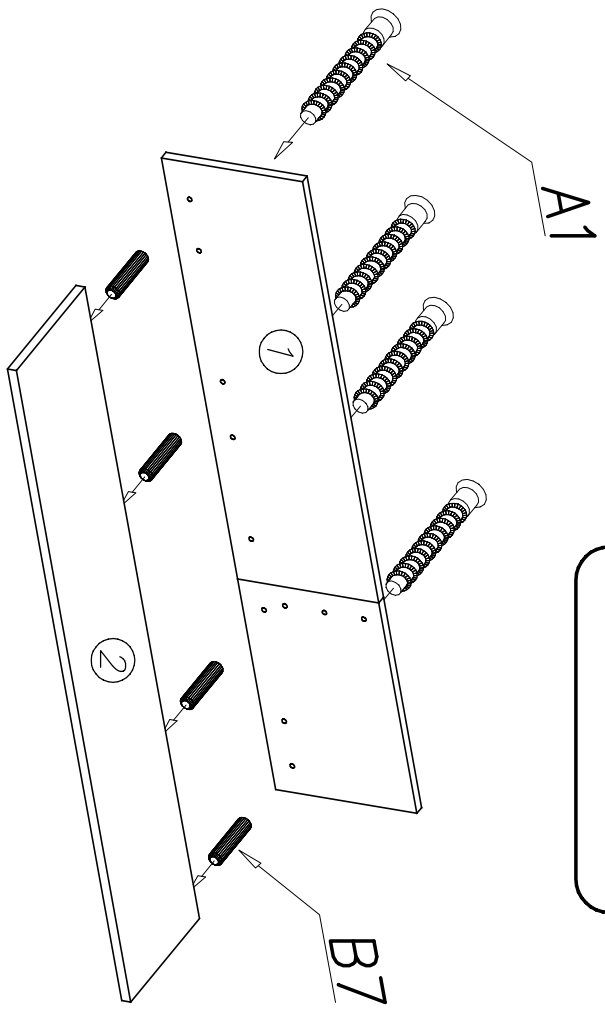
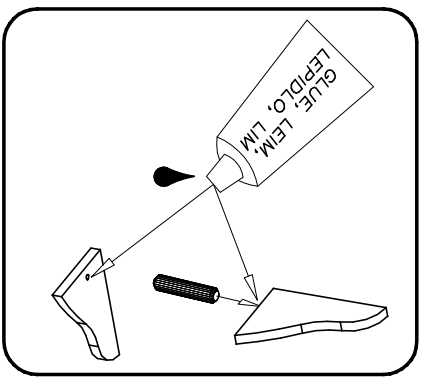
I



G4



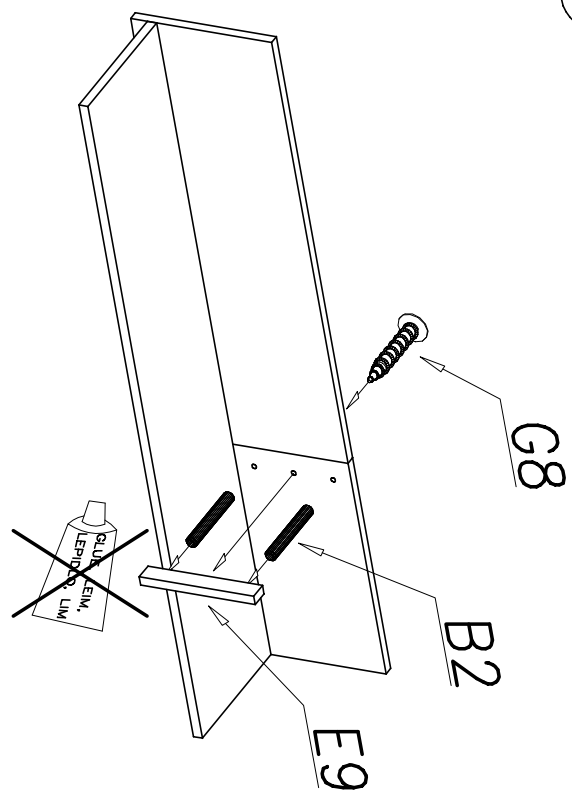
B7



A1

B7

II

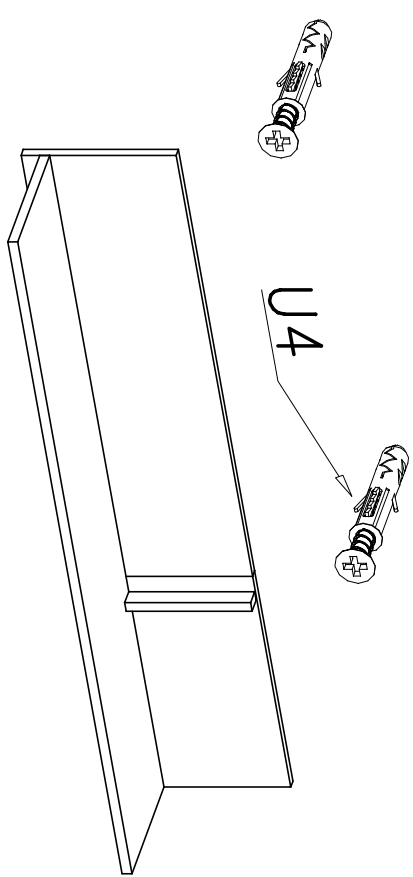


G8

B2

E9

III



U4