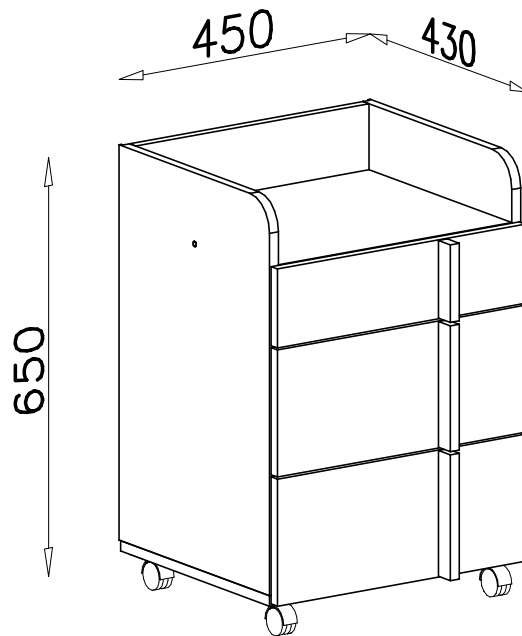
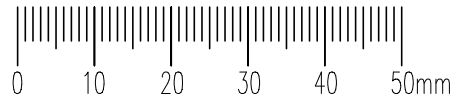
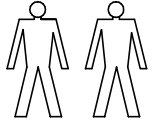
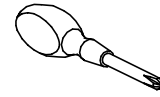
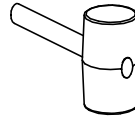
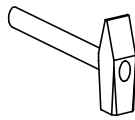
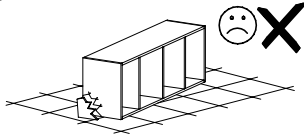
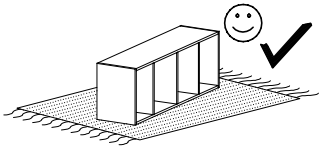




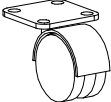

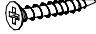
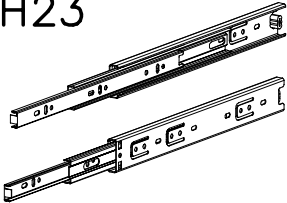



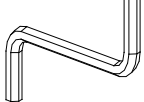

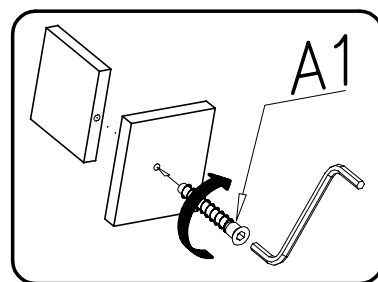
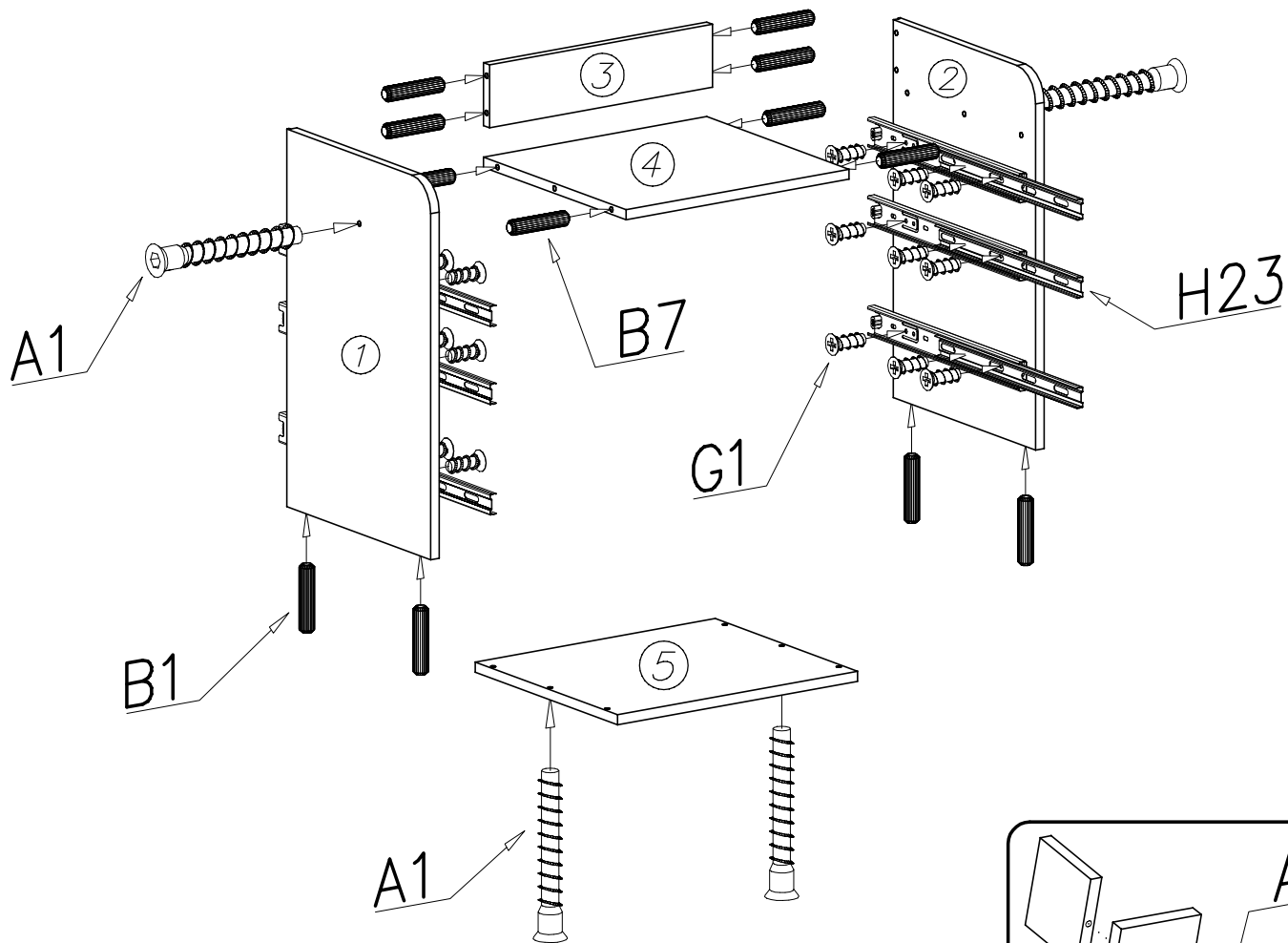
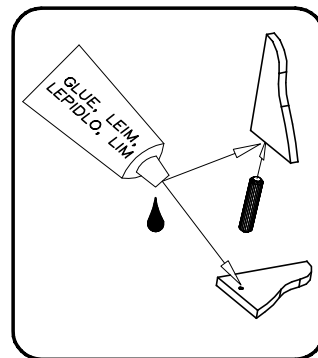
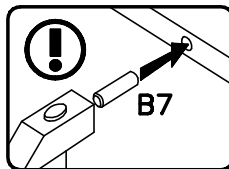


RM 11

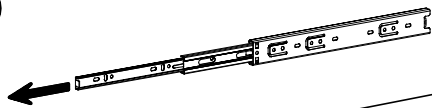


	G4  4x16 x16	W1  GLUE, LEIM, LEPIDLO, LIM x2	G8  4x30 x3	E11  118mm x1
P7  x4	B2  ø6x30 x6	G2  3x20 x25	H23  350mm x3	E12  191mm x2
A1  ø7x50 x4	B7  ø8x30 x36	W2  x1	G1  4x13 x30	

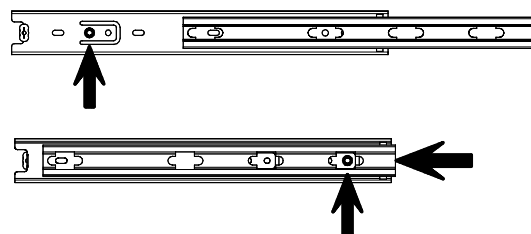
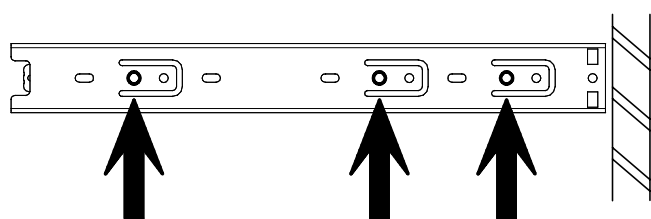
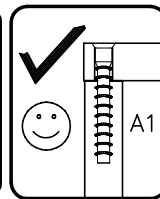
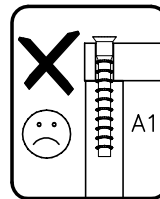
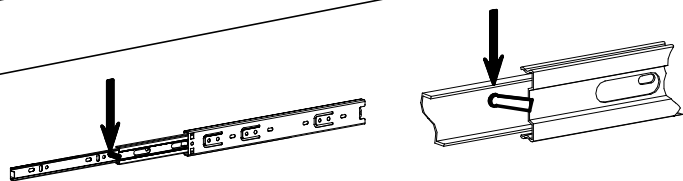
I



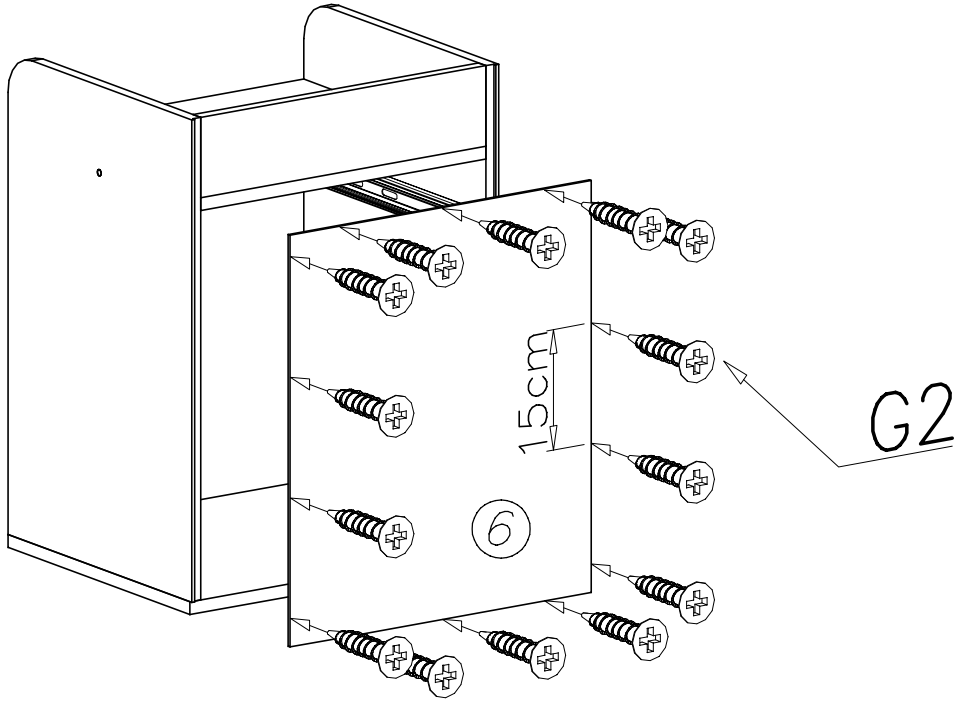
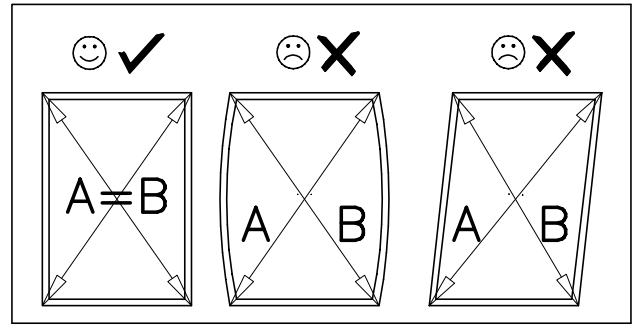
A



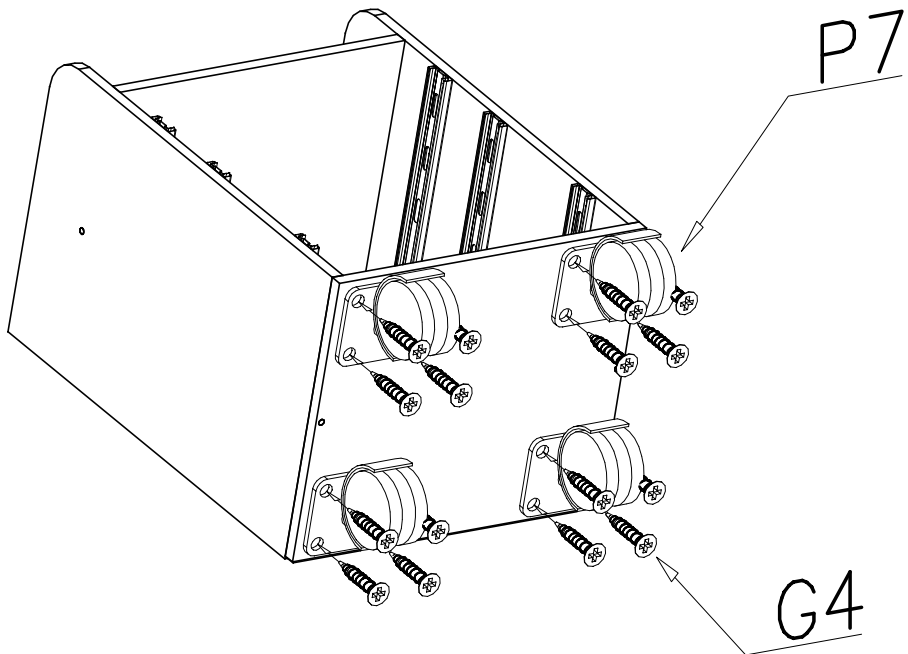
B



II



III



VI

