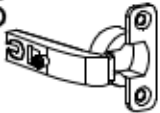

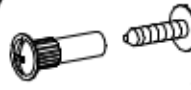





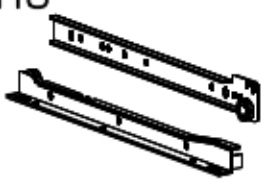


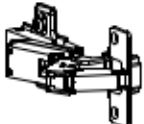
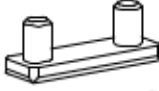
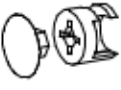





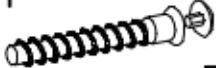




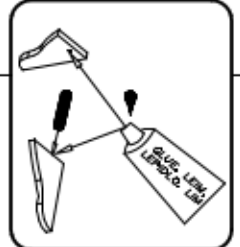
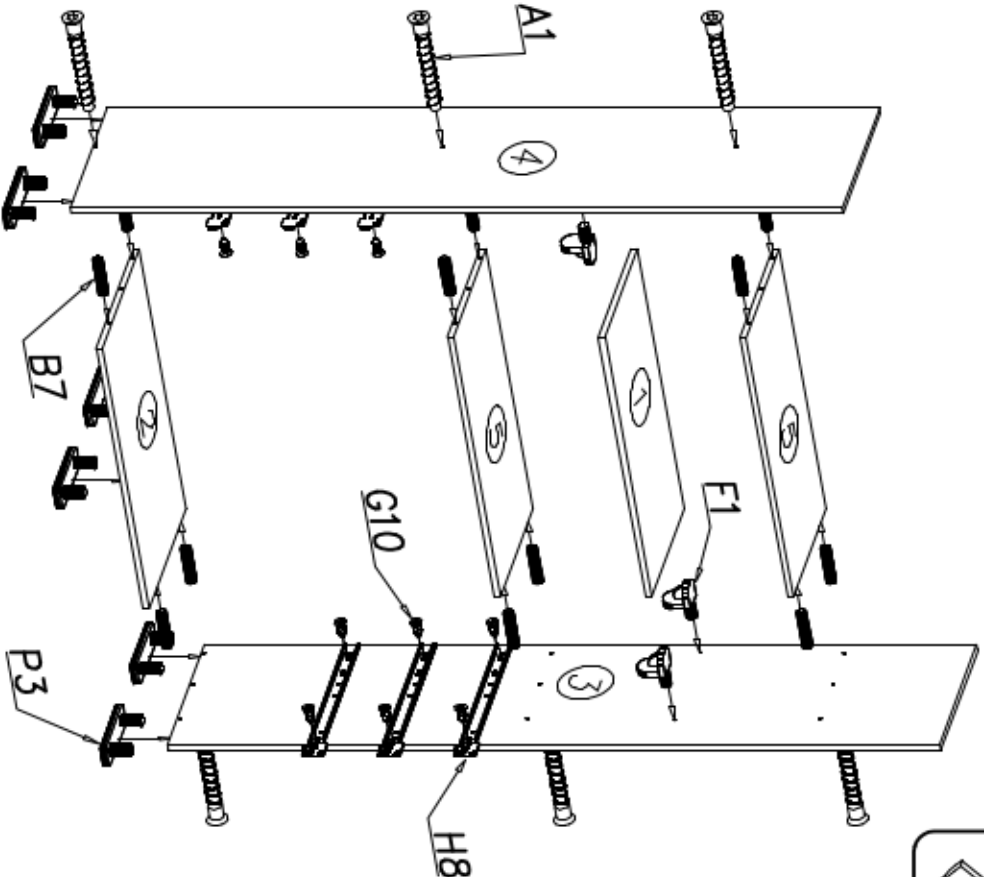
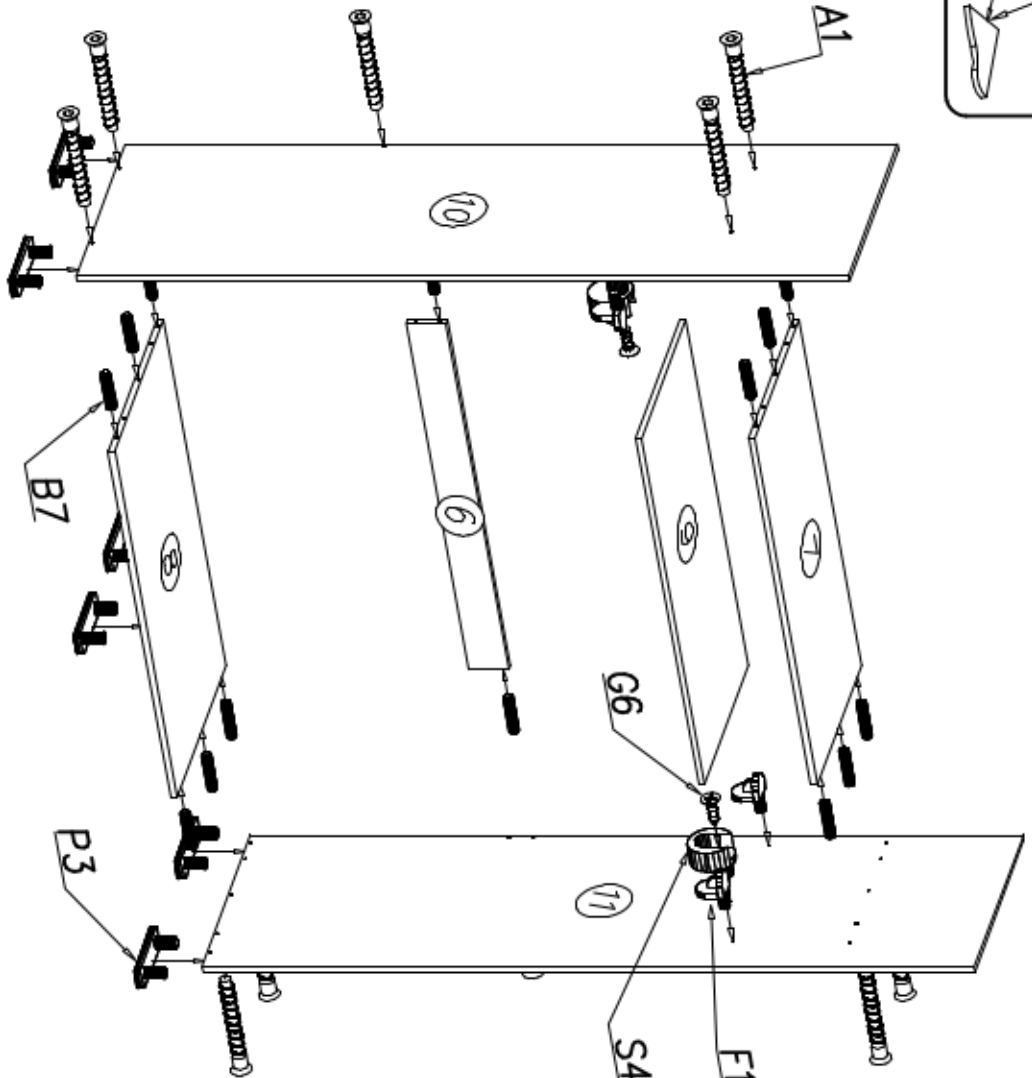


C5  x3	S1  1860mm x2	N7  x2	W4  1,6x16 x40	F4  x1
G6  3x13 x2	F1  x18	G4  4x16 x32	H8  35cm x3	G10  6x13 x12
D5  x3	C7  x3	P3  x22	K1  x8	
W1  GLUE KLEJ x7	G2  3x20 x150	E38  x2	N13  M4x22 x2	K6  x4
A1  x54	B7  x138	S4  x2	W2  x1	S5  1004mm x1

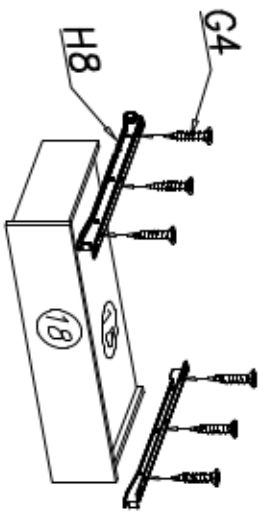
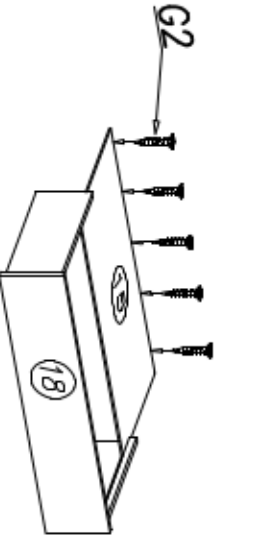
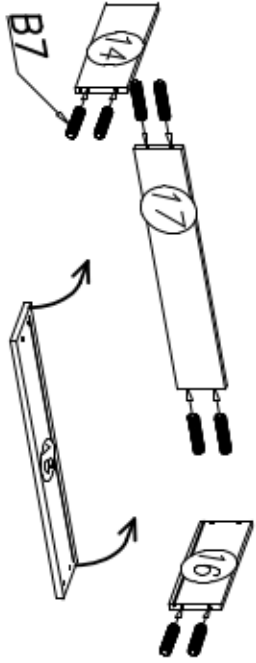
I



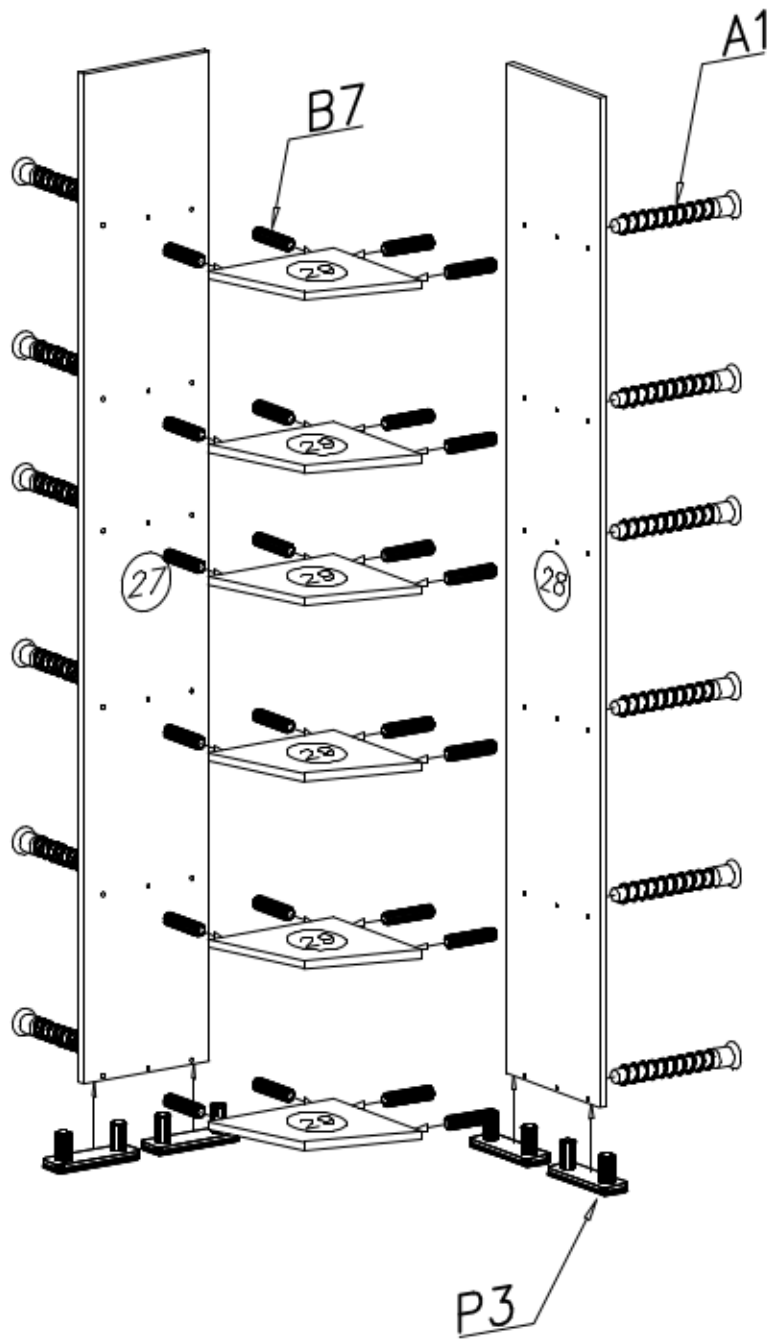
II



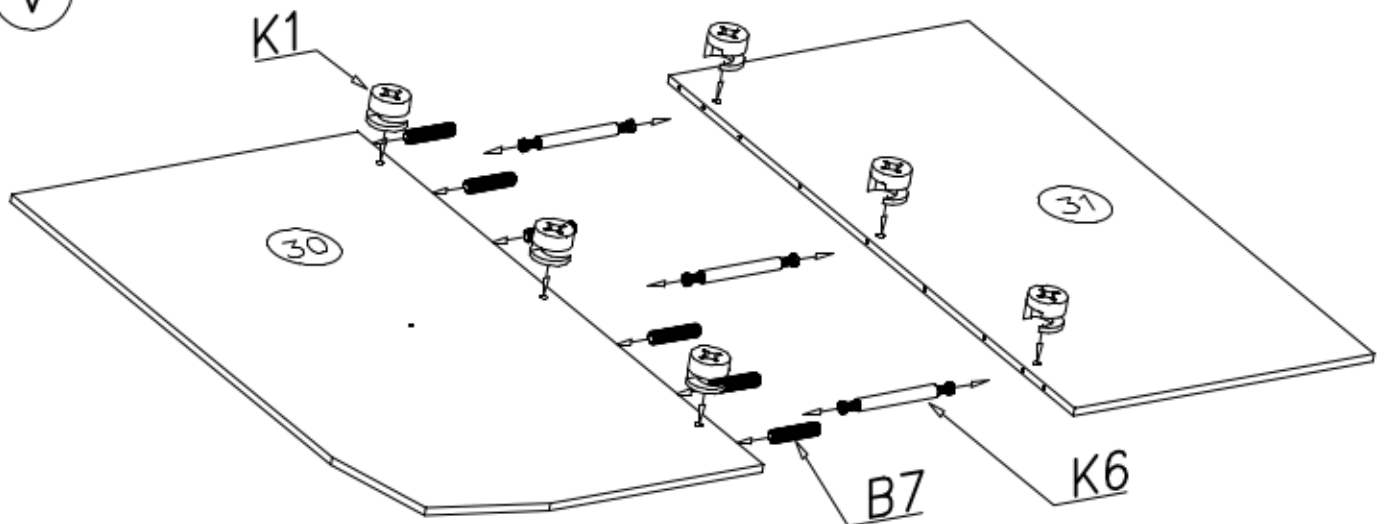
III



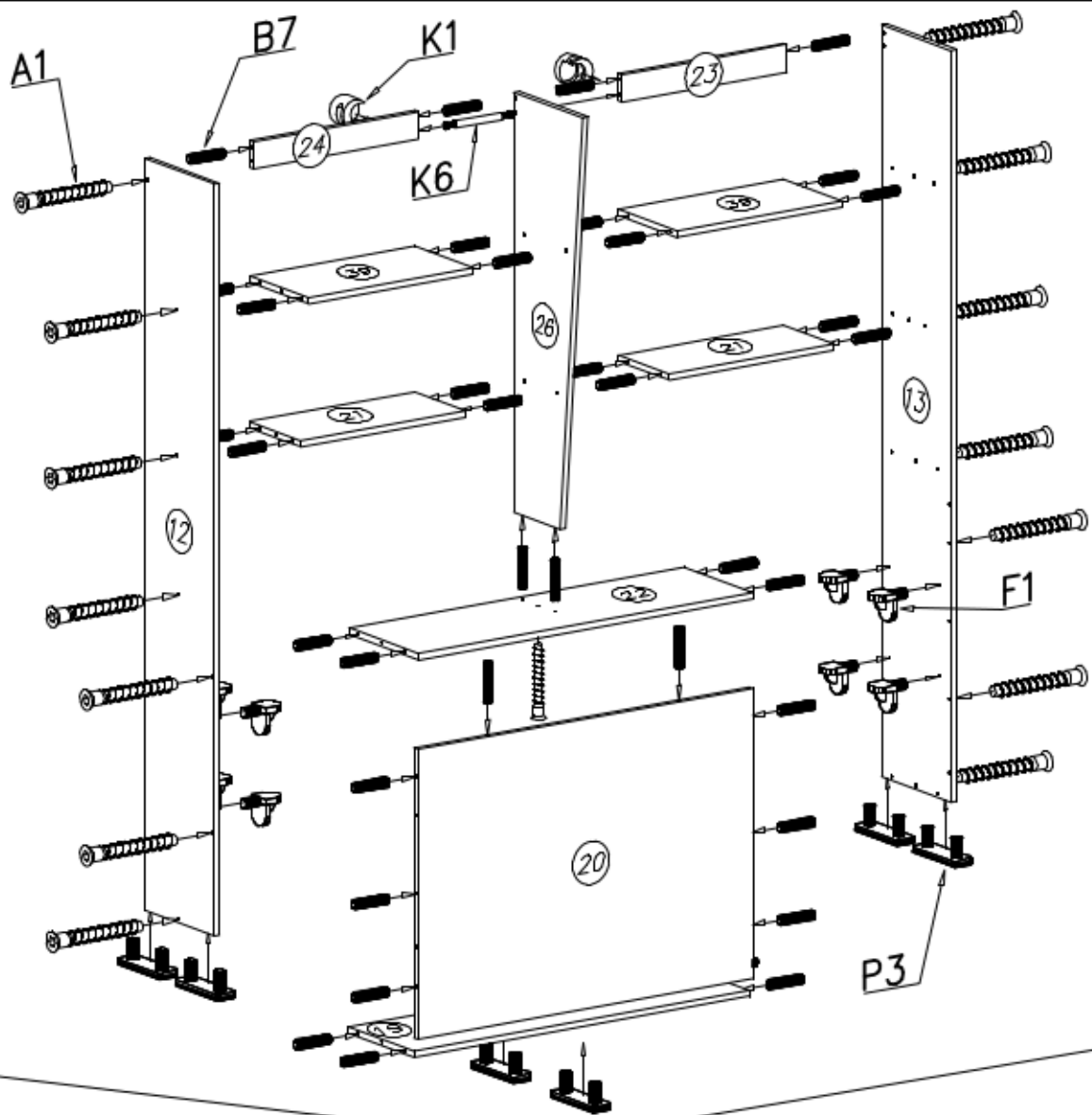
IV



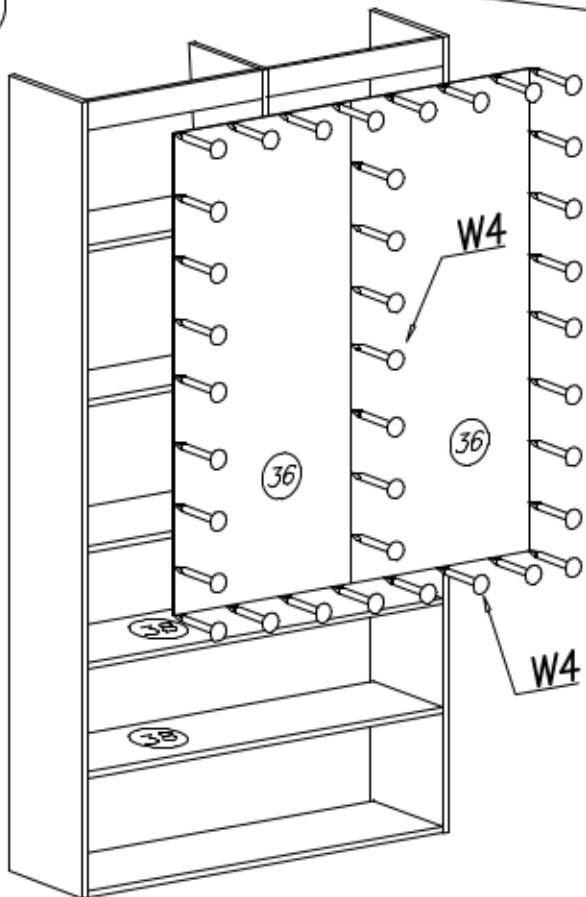
V



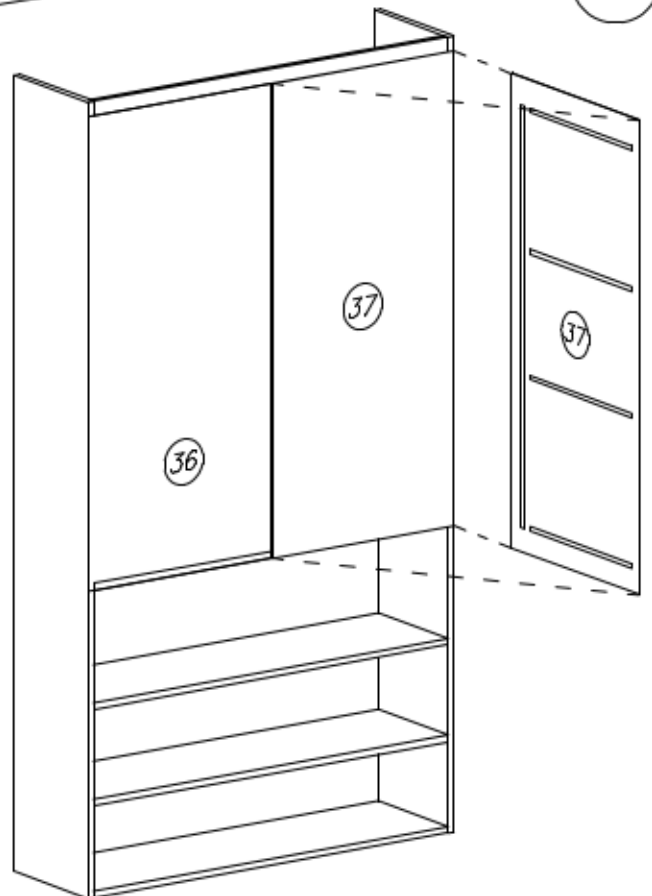
VI



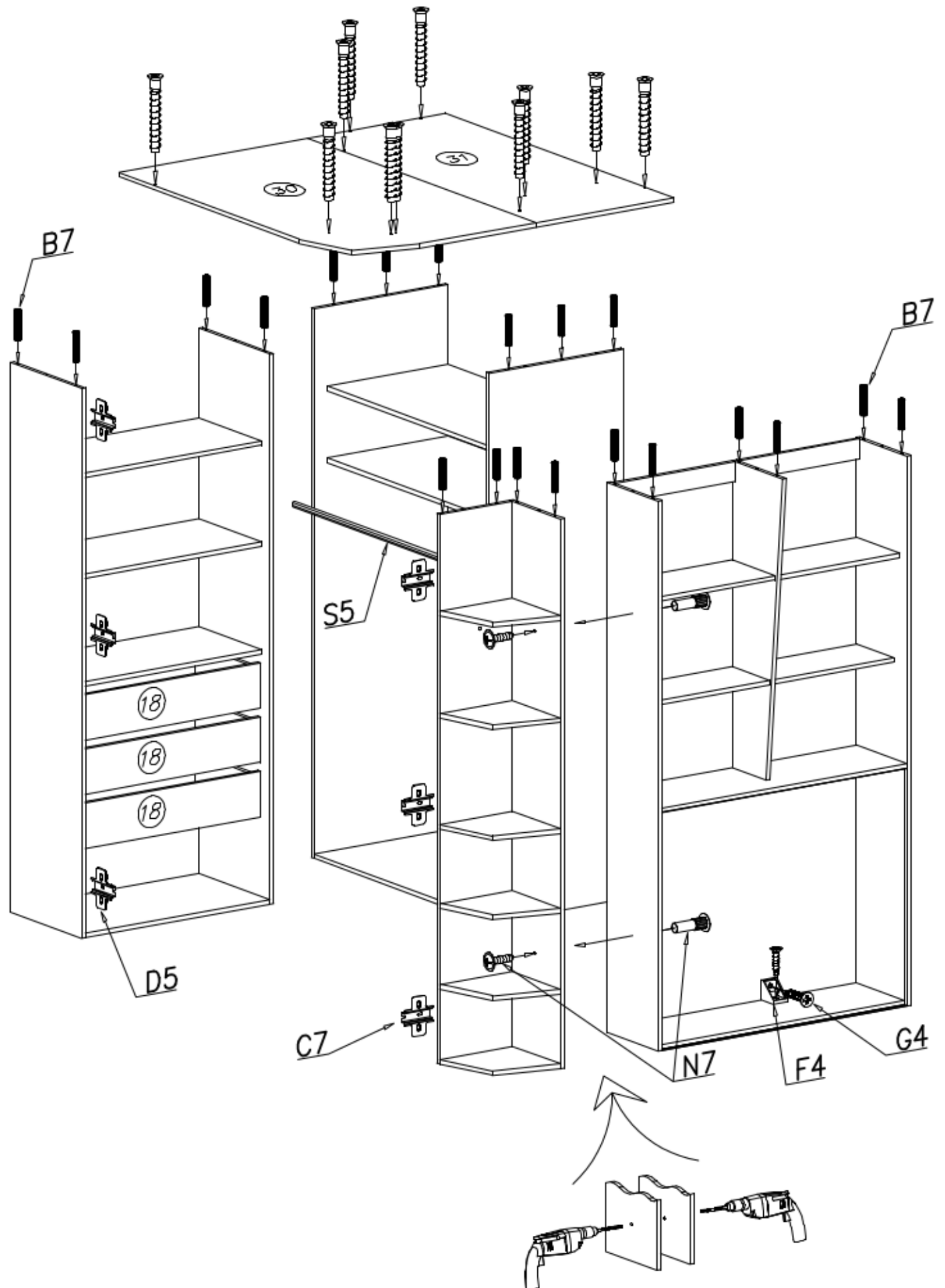
VII



VIII



IX



(X)

