

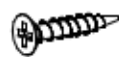


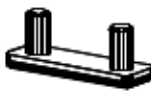





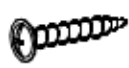

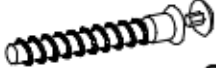




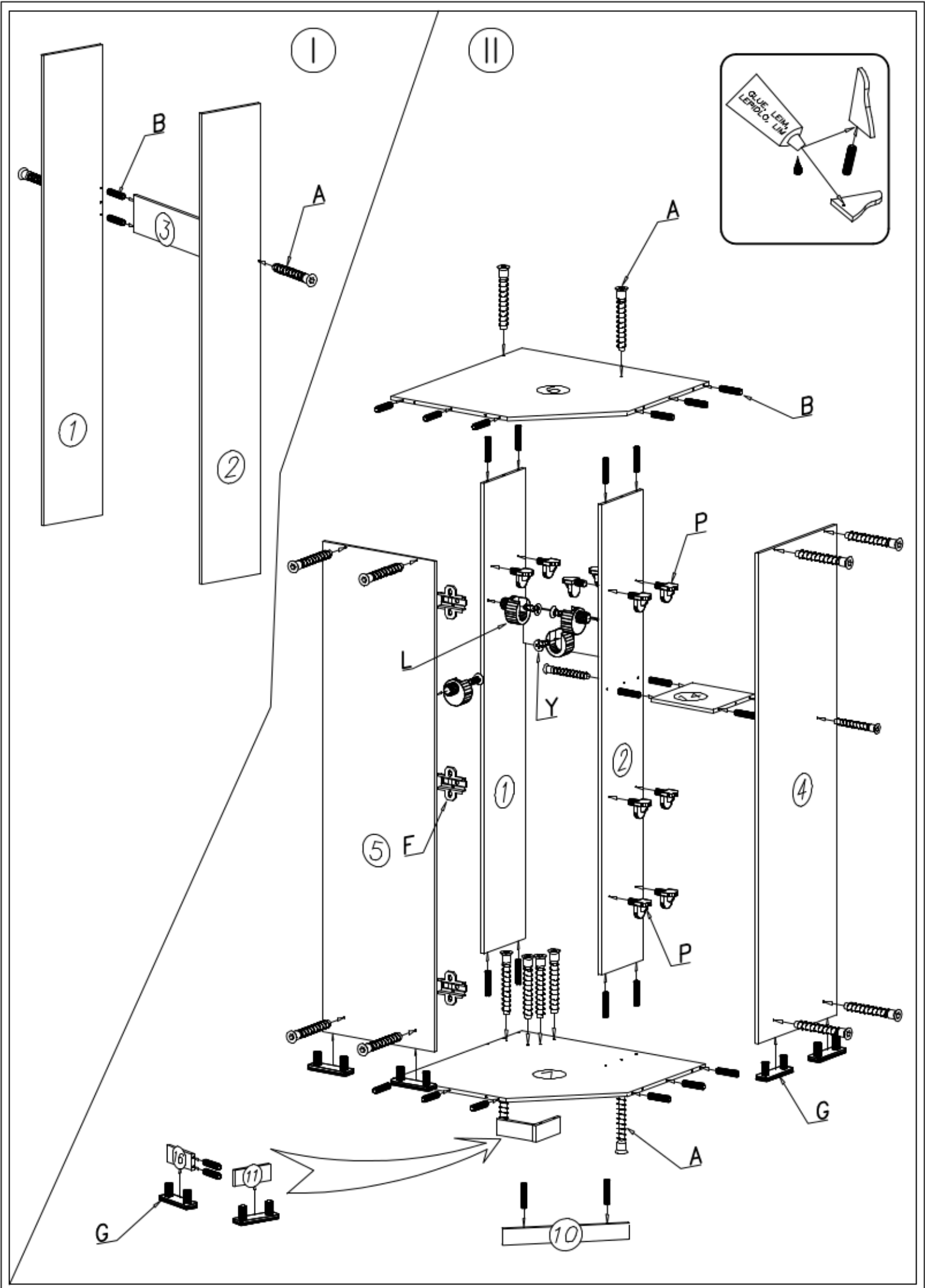
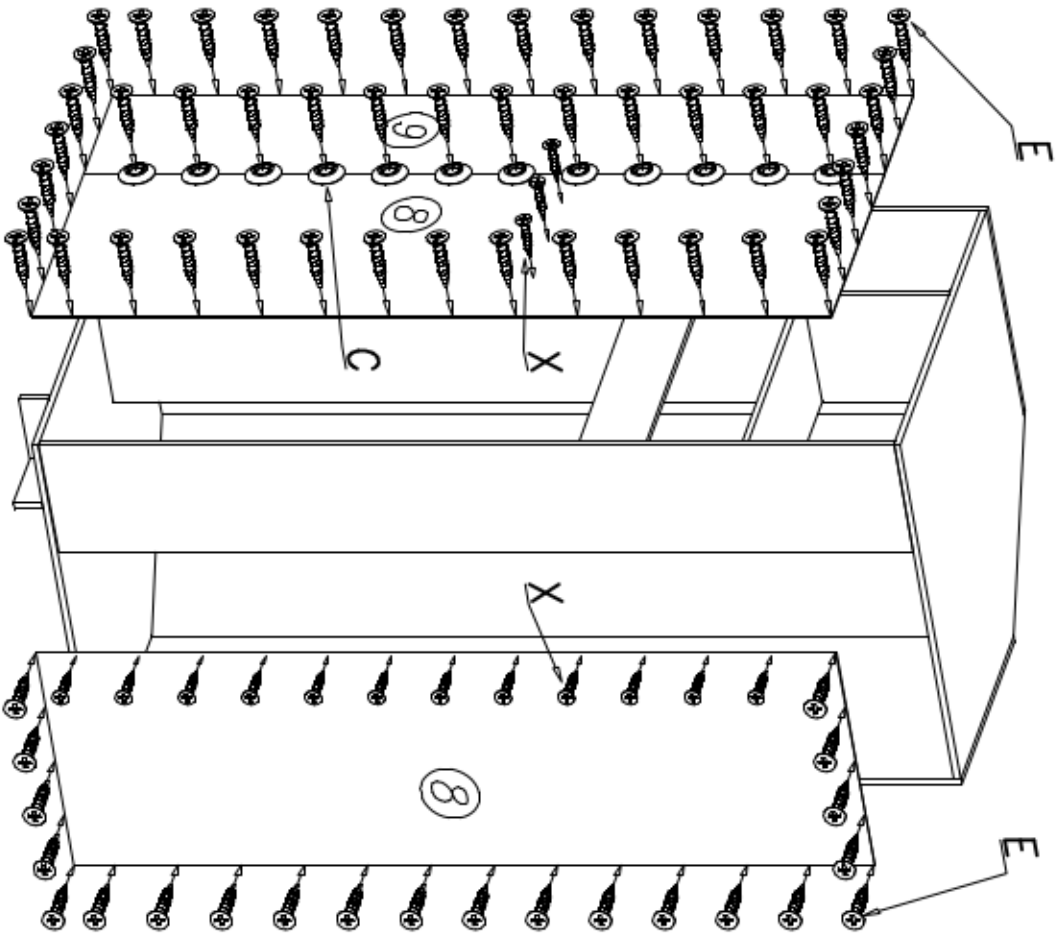


<b>Y</b>  3 x 13 x4	<b>P</b>  x17	<b>X</b>  3 x 16 x15		
<b>F</b>  x3	<b>D</b>  x3	<b>G</b>  x6	<b>T</b>  4 x 16 x6	<b>C</b>  x13
<b>W</b>  x2	<b>E</b>  3 x 20 x75	<b>U</b>  x1	<b>N</b>  4 x 30 x2	<b>J</b>  904mm x1
<b>A</b>  x20	<b>B</b>  x32	<b>L</b>  x4	<b>Z</b>  x1	<b>S</b>  578mm x1



III



IV

