



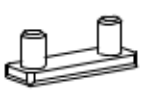




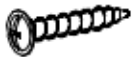
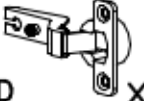


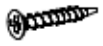
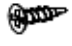

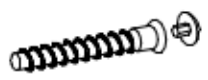

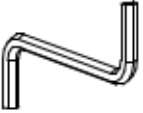


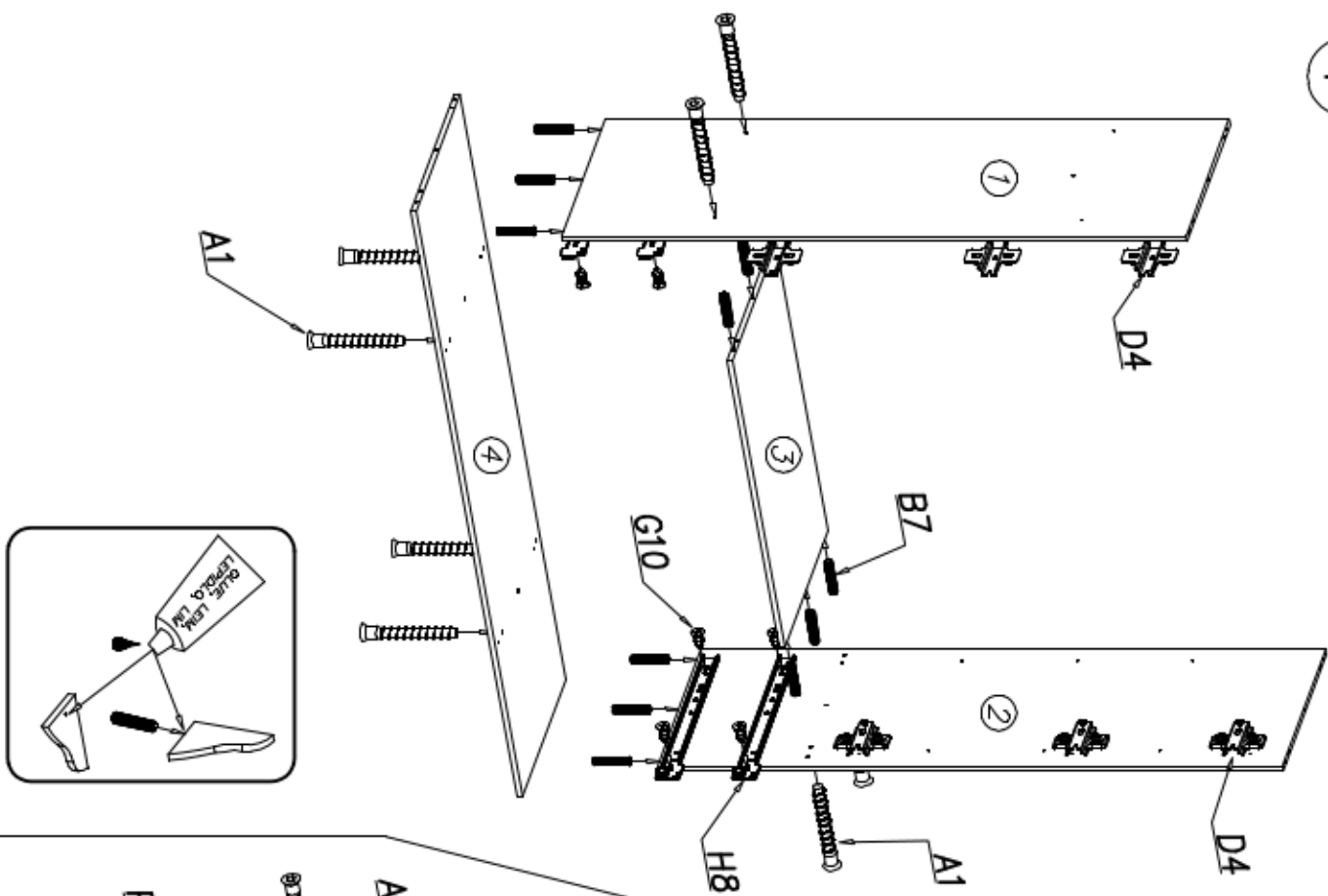
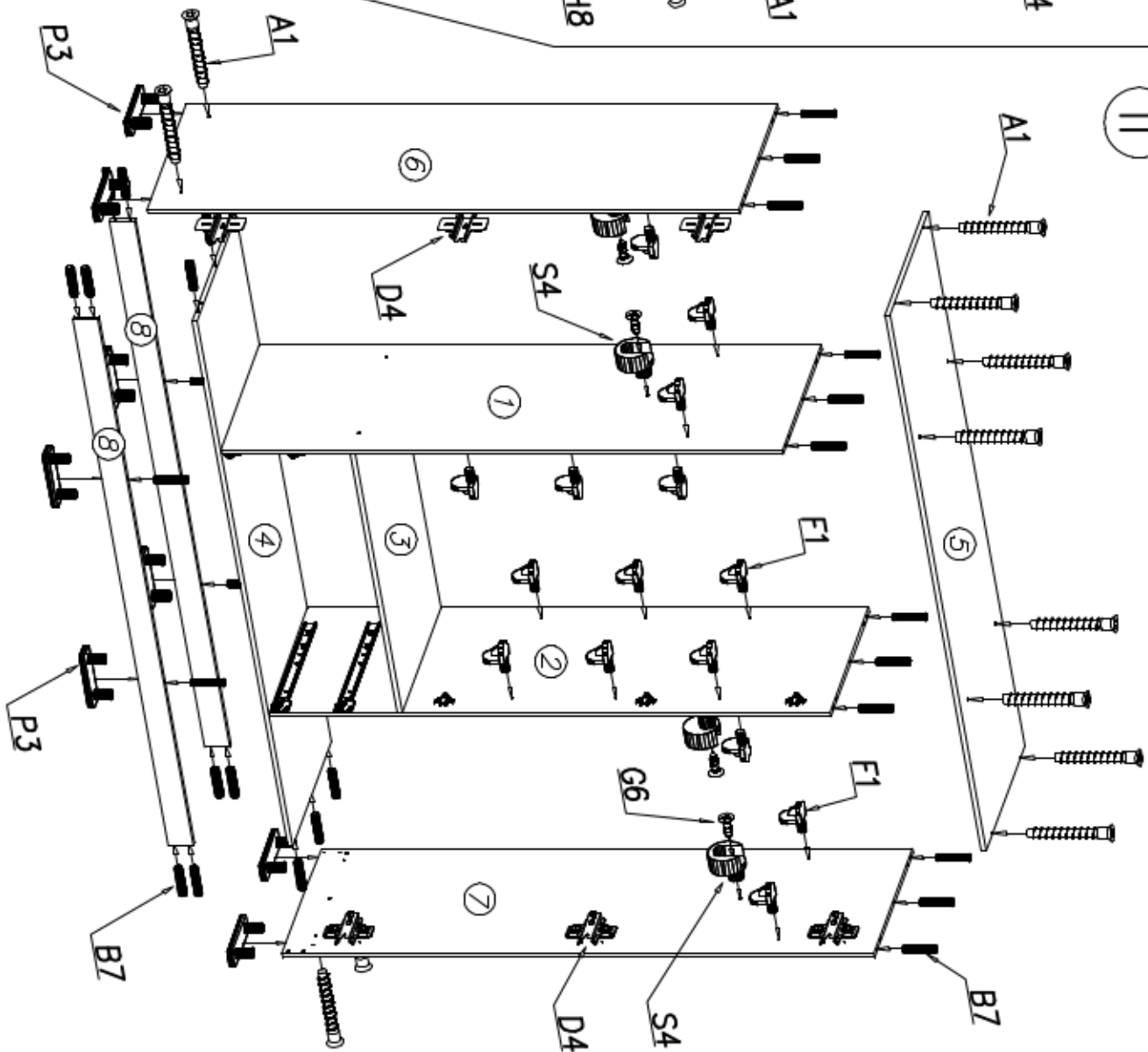


				E7	E6
				 x4	 x4
S3  407mm x1	S1  1355mm x1	P3  x8	D4  PZ350D x12	H8  500mm x2	
S2  x24	W1  "GLUE, LEIM, LEPIDLO, LIM" x3	G8  4x30 x16	C4  Z350D x12		
S5  475mm x2	G4  4x16 x36	G2  3x20 x100	G6  3x13 x4	G10  6x13 x8	
A1  ø7x50 x20	B7  ø8x30 x58	W2  x1	F1  x20	S4  x4	

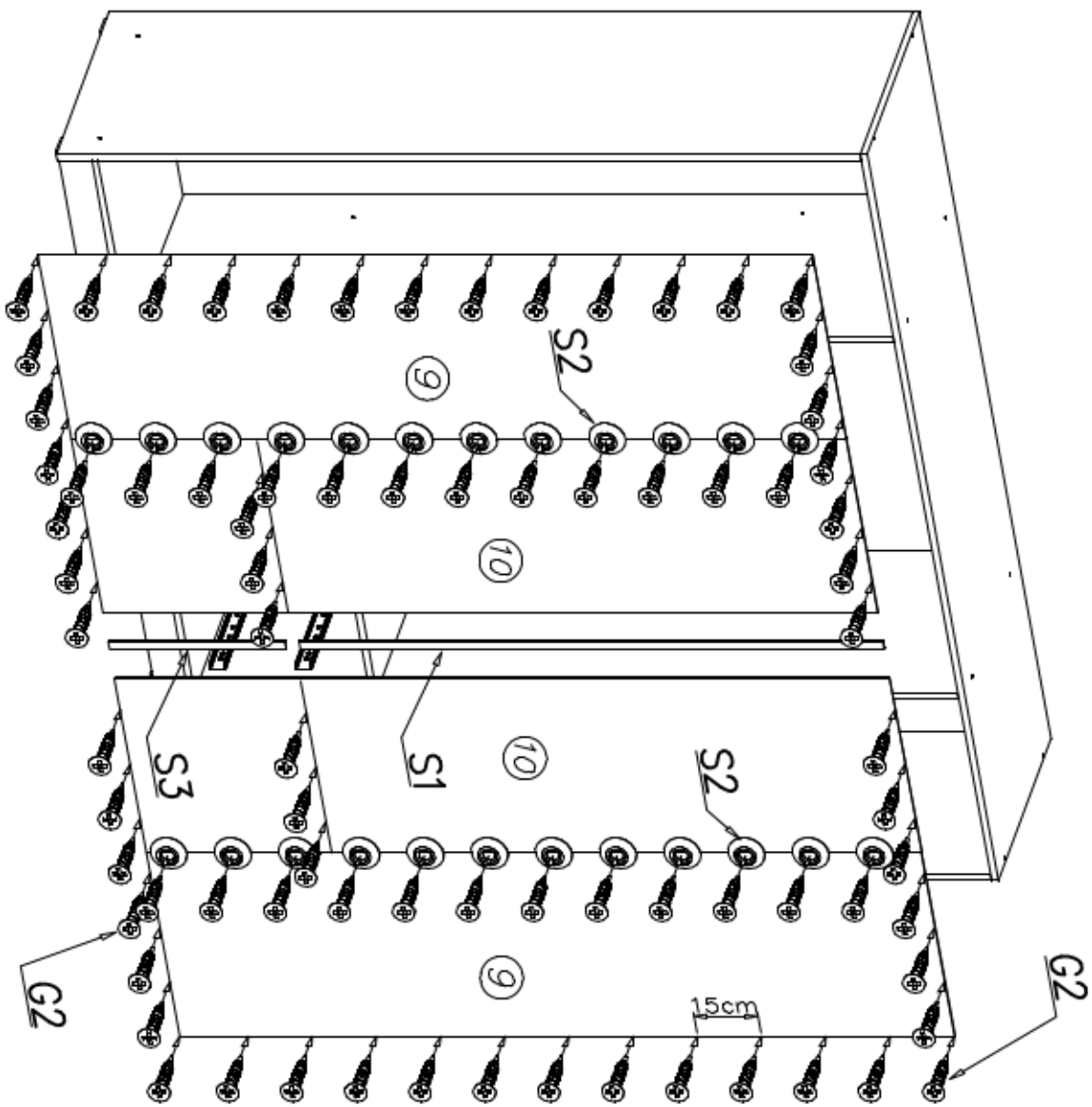
I



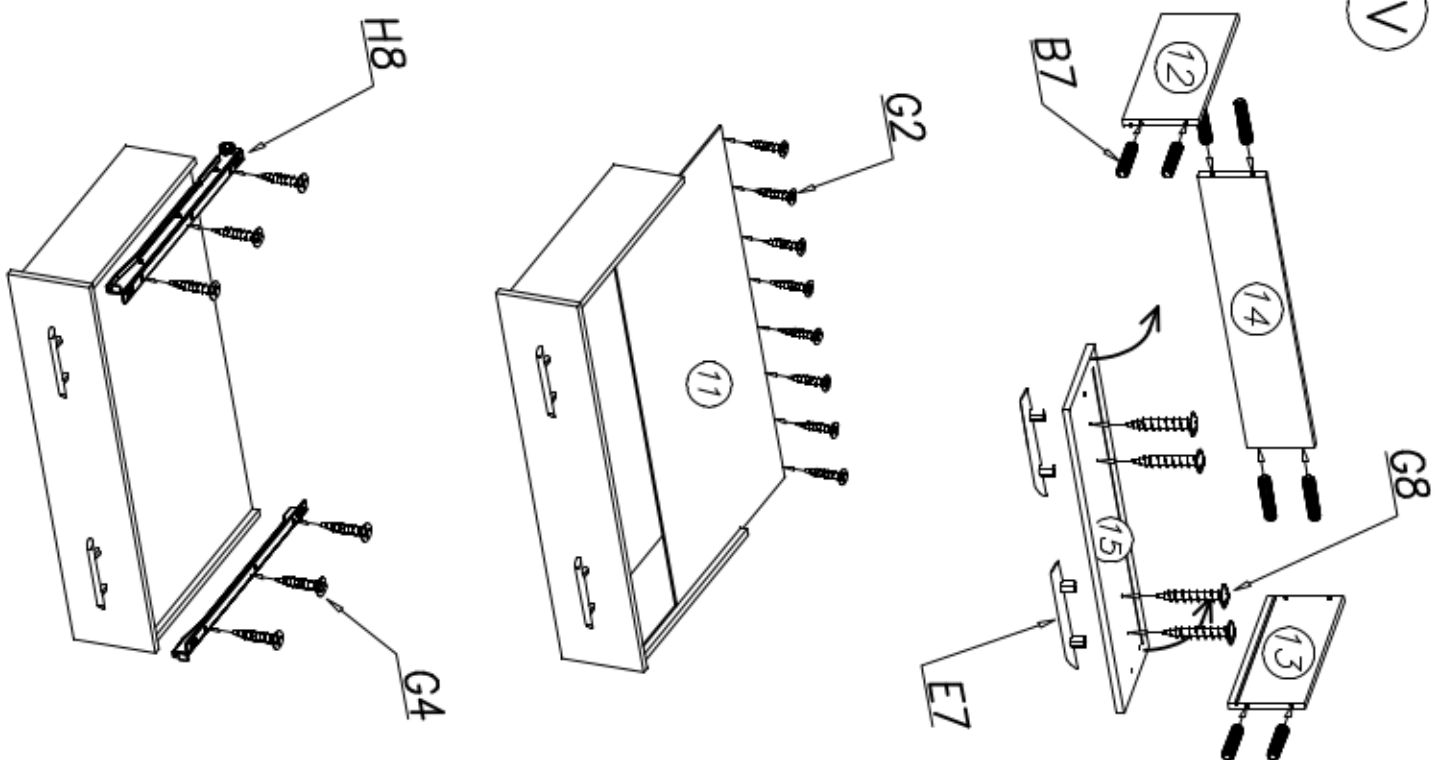
II



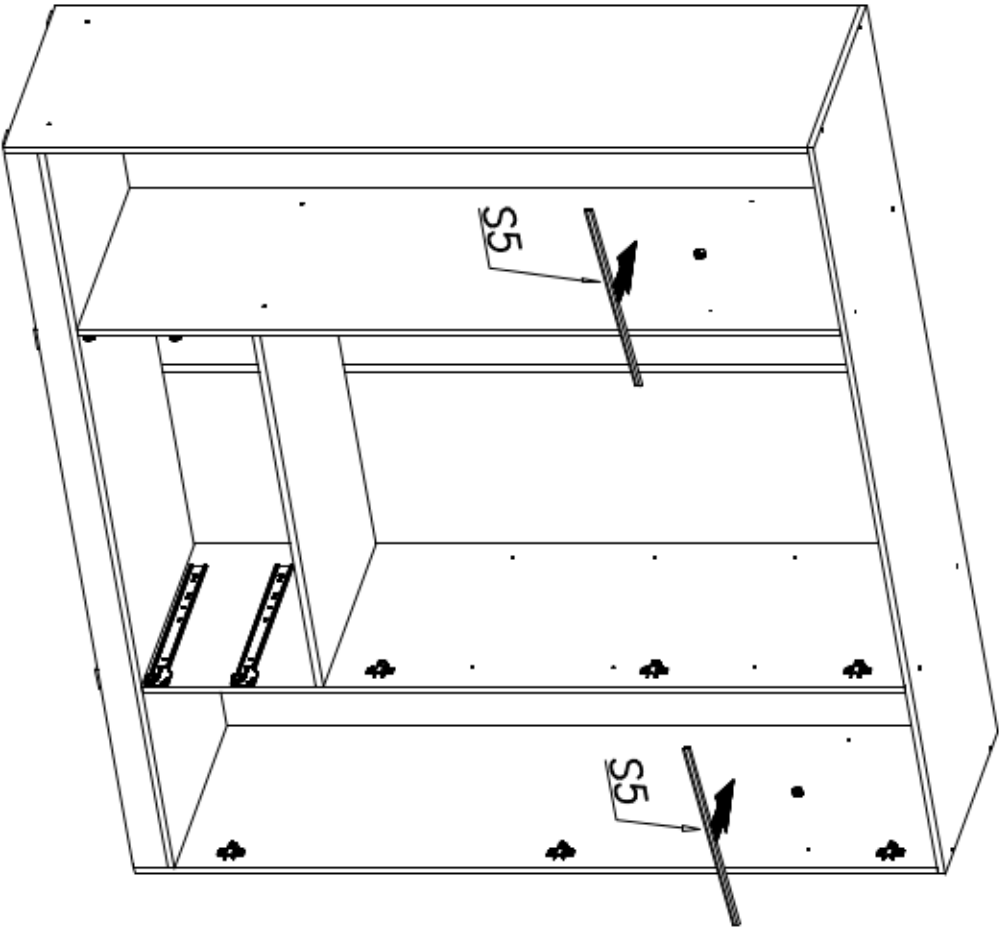
III



IV



V



VI

