


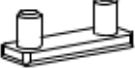




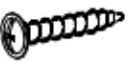
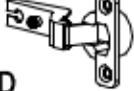


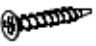
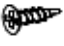

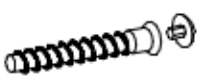

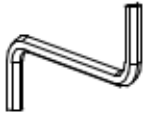


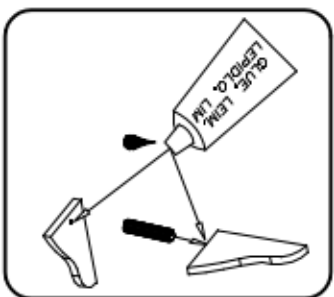
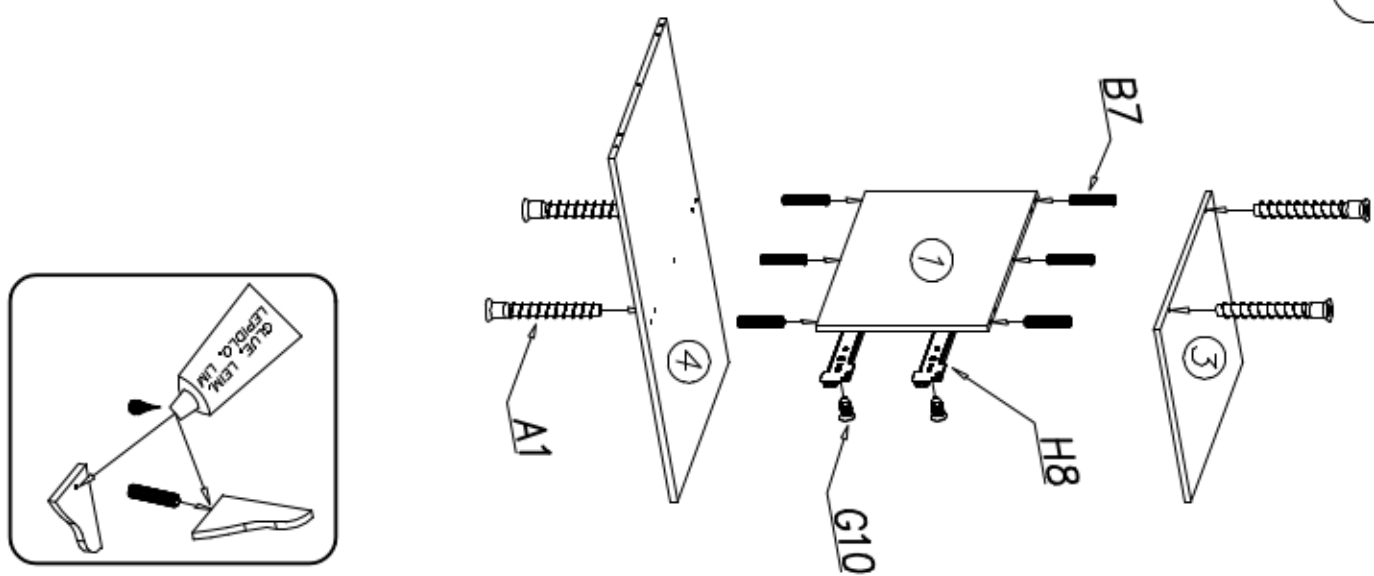
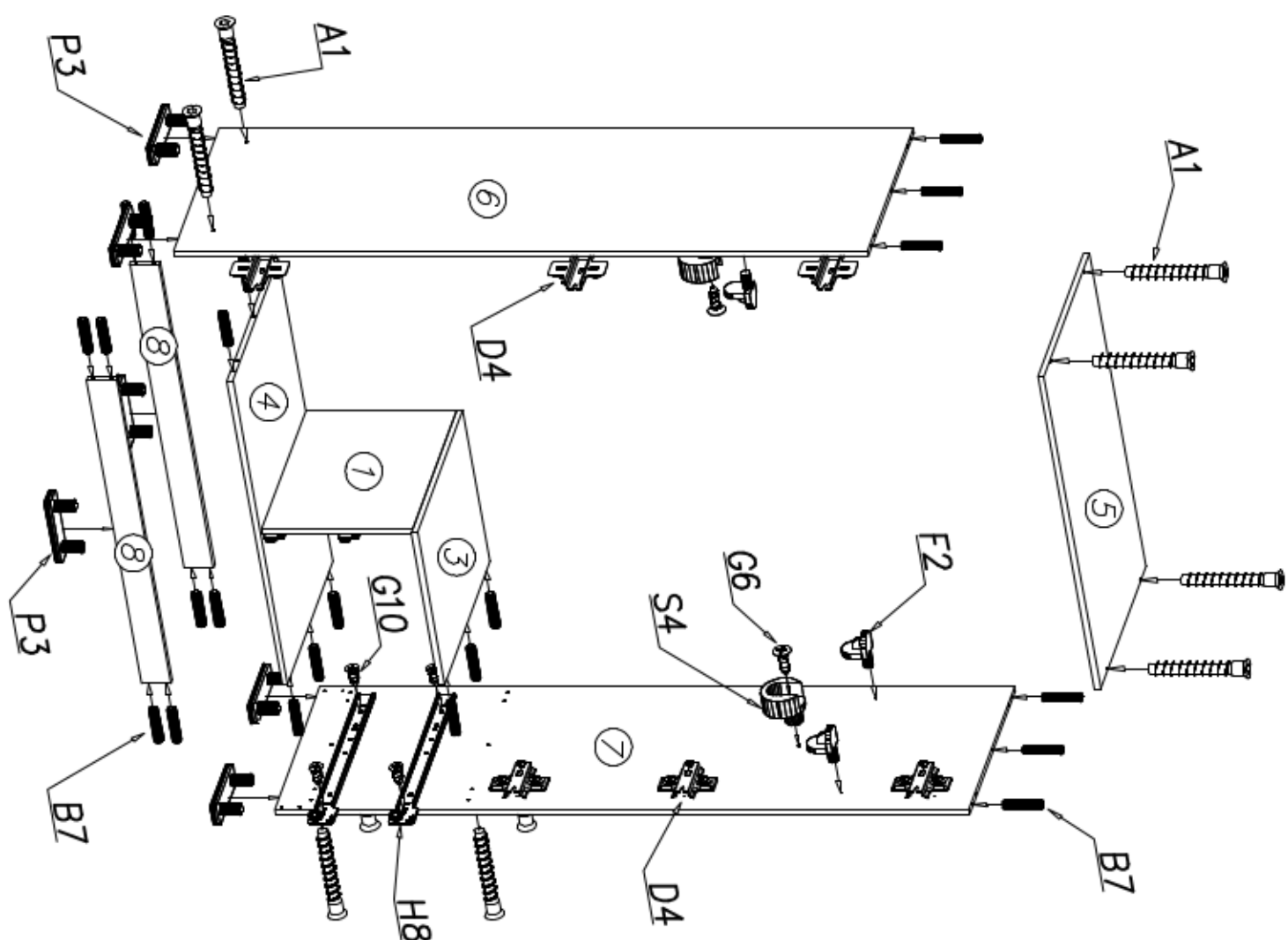


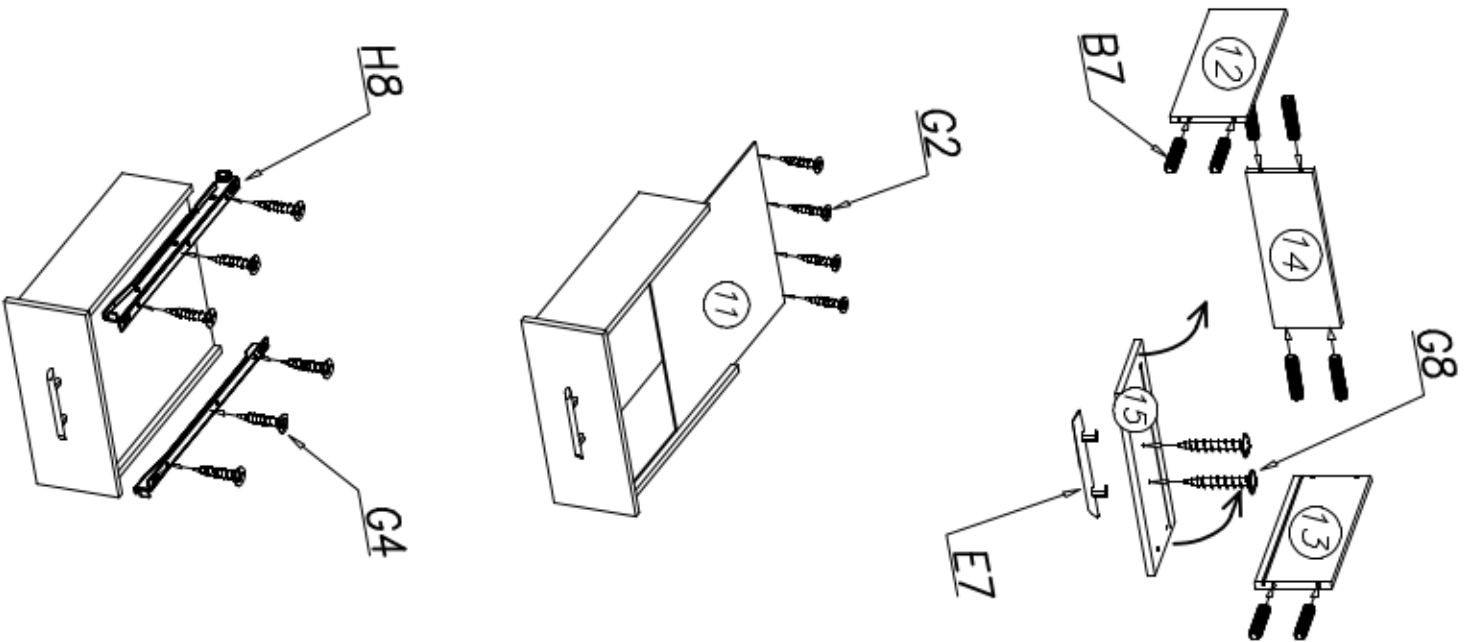
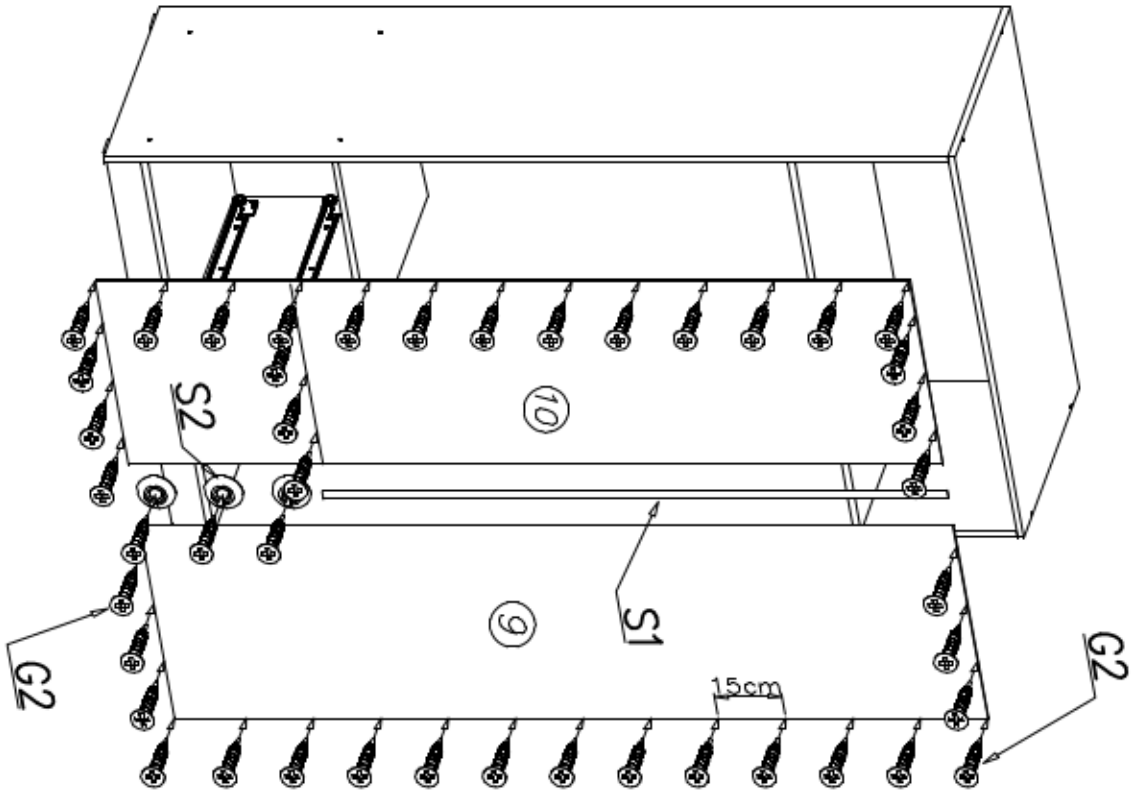
			E7	E6
			 x2	 x2
S1	P3	D4	H8	
 1355mm x1	 x6	 PZ350D x6	 500mm x2	
S2	W1	G8	C4	
 x4	 "GLUE, LEIM, LEPIDLO, LIM" x3	 4x30 x8	 Z350D x6	
S5	G4	G2	G6	G10
 956mm x1	 4x16 x24	 3x20 x60	 3x13 x2	 6x13 x8
A1	B7	W2	F1	S4
 ø7x50 x14	 ø8x30 x45	 x1	 x4	 x2

1

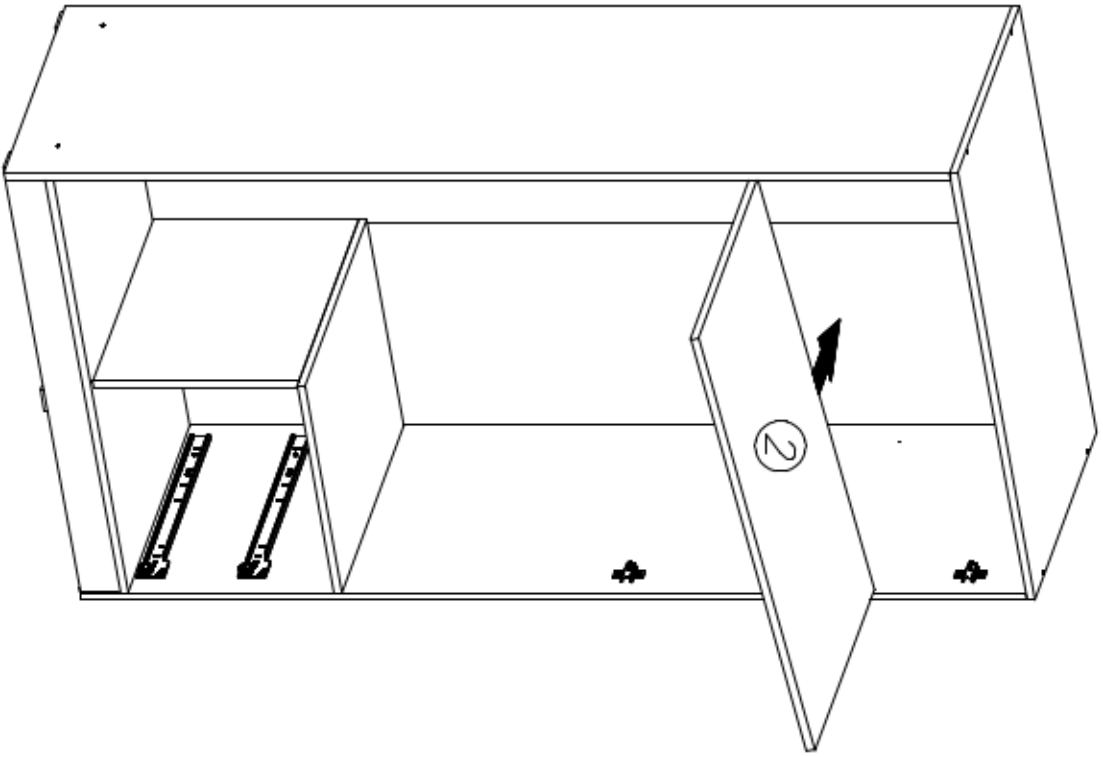


II





V



VI

