


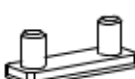

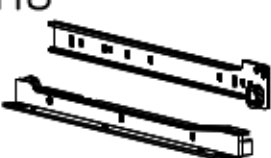


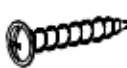
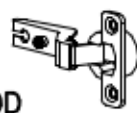


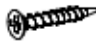


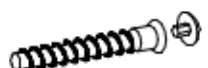

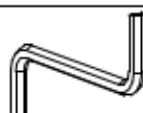


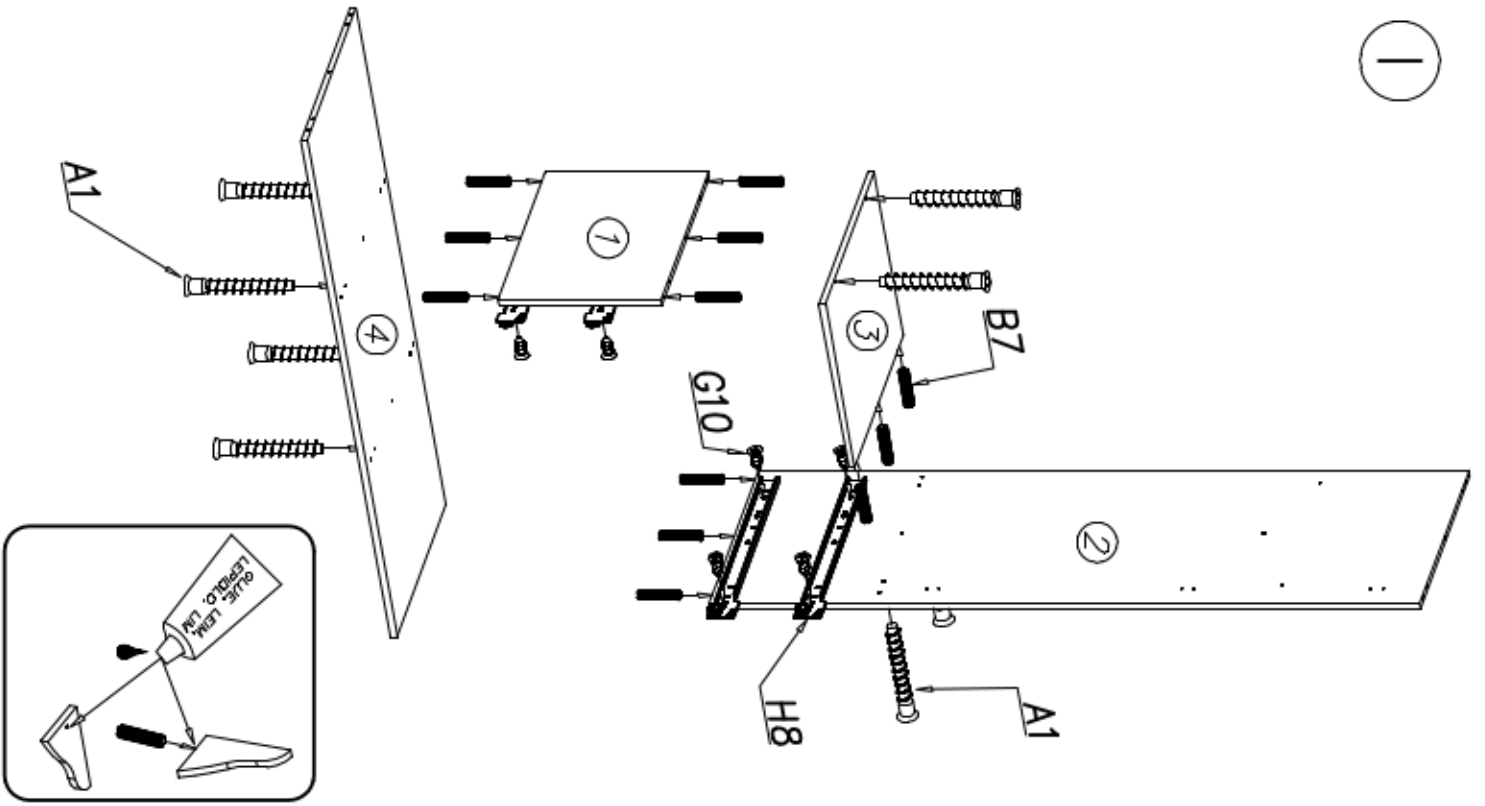
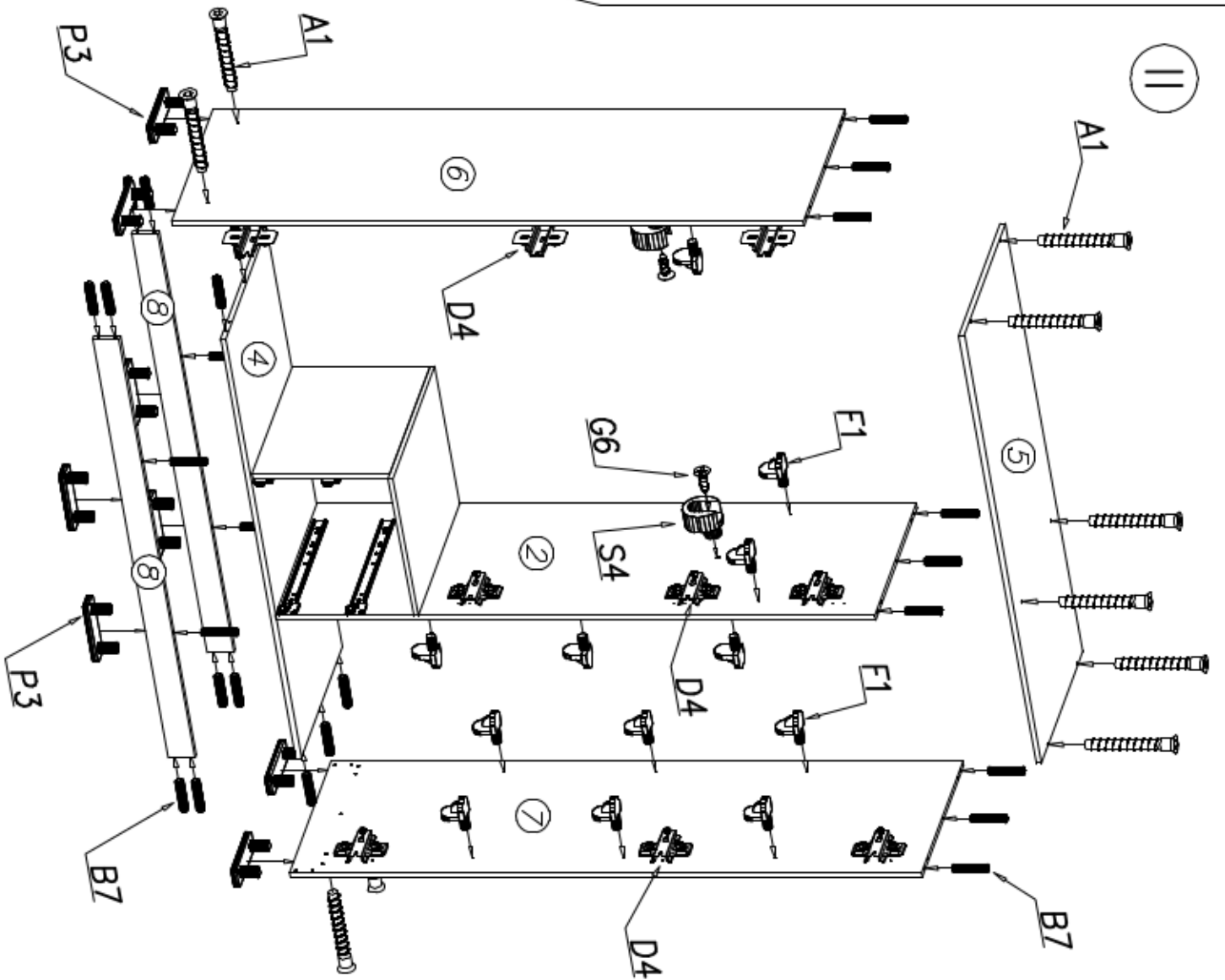


				E7  x2	E6  x3
S1  1355mm x1	P3  x8	D4  PZ350D x9	H8  500mm x2		
S2  x17	W1  "GLUE, LEIM, LEPIDLO, LIM" x3	G8  4x30 x10	C4  Z350D x9		
S5  956mm x1	G4  4x16 x30	G2  3x20 x70	G6  3x13 x2	G10  6x13 x8	
A1  ø7x50 x18	B7  ø8x30 x55	W2  x1	F1  x16	S4  x2	

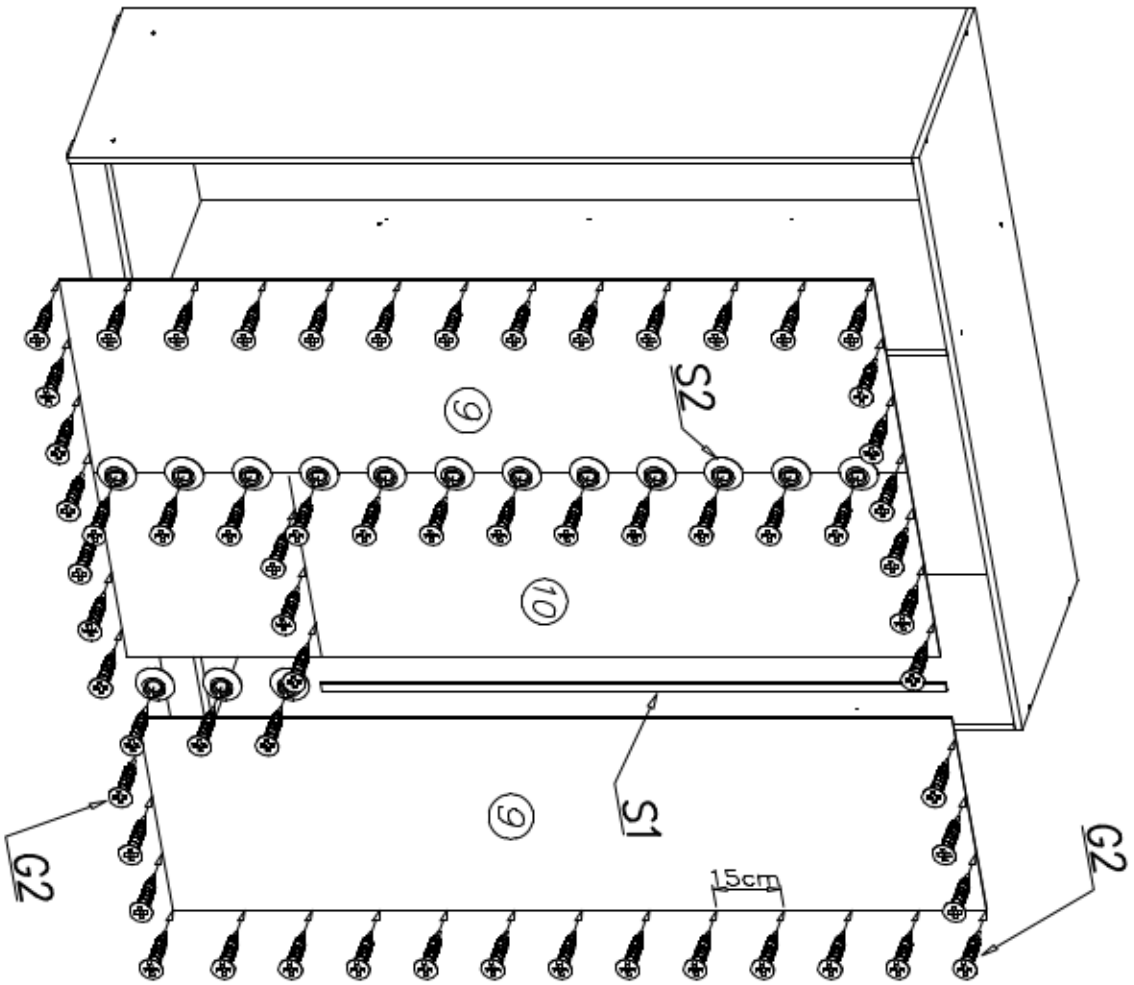
I



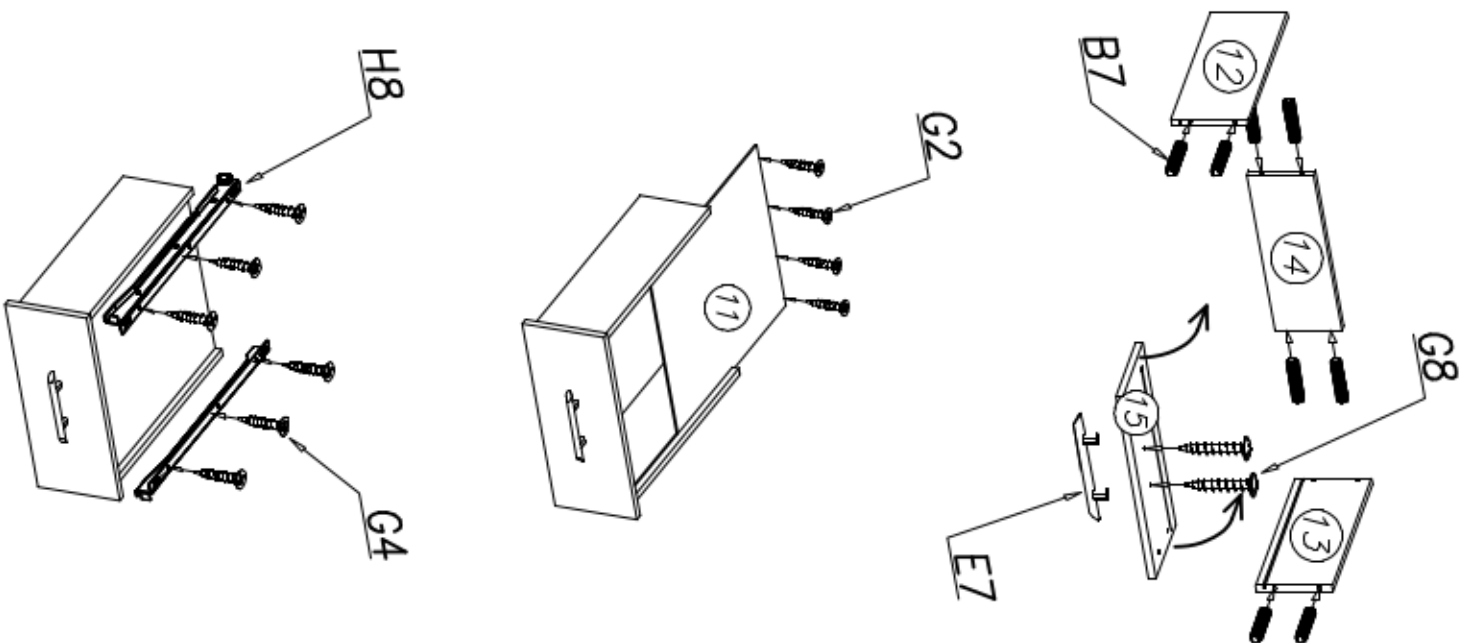
II



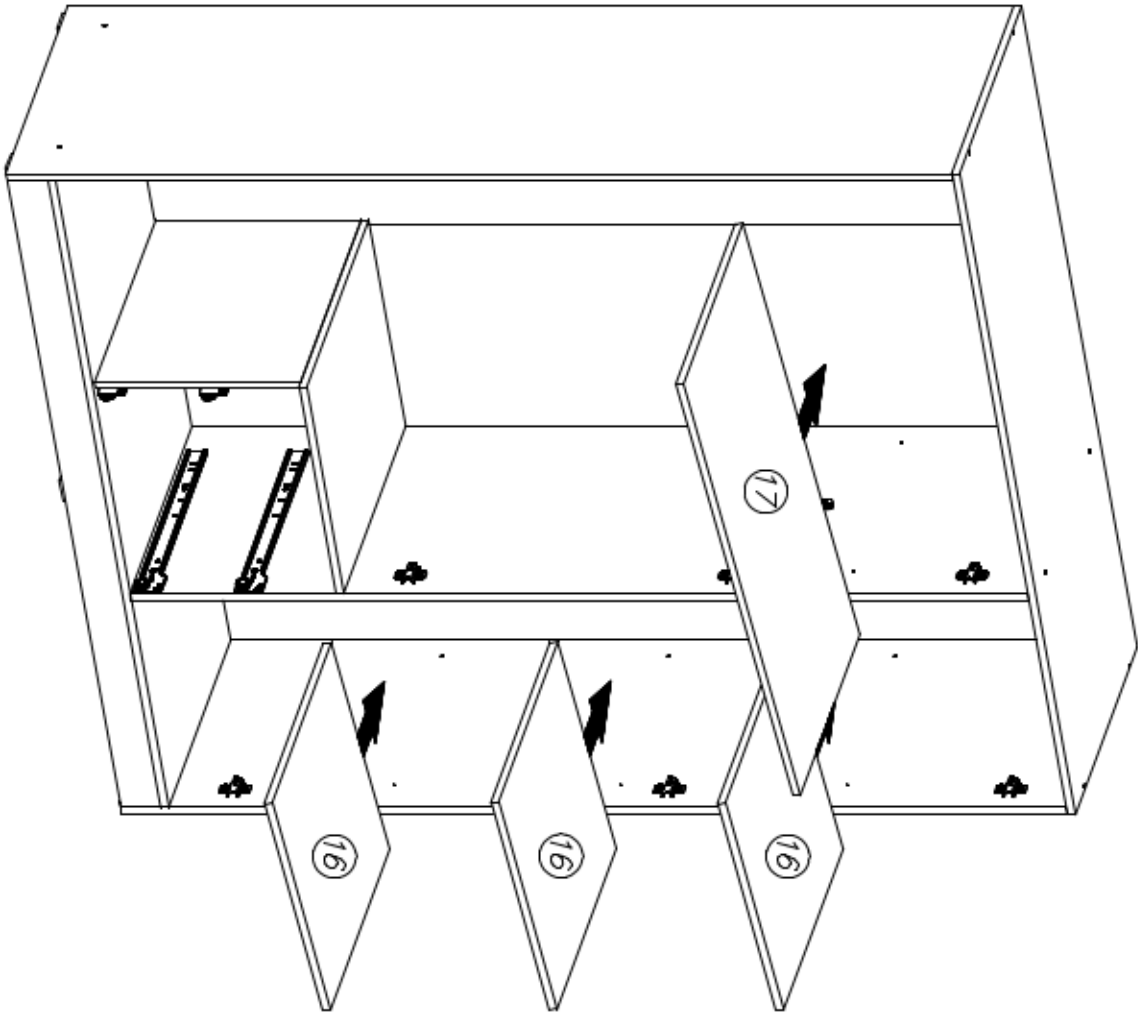
III



IV



V



VI

