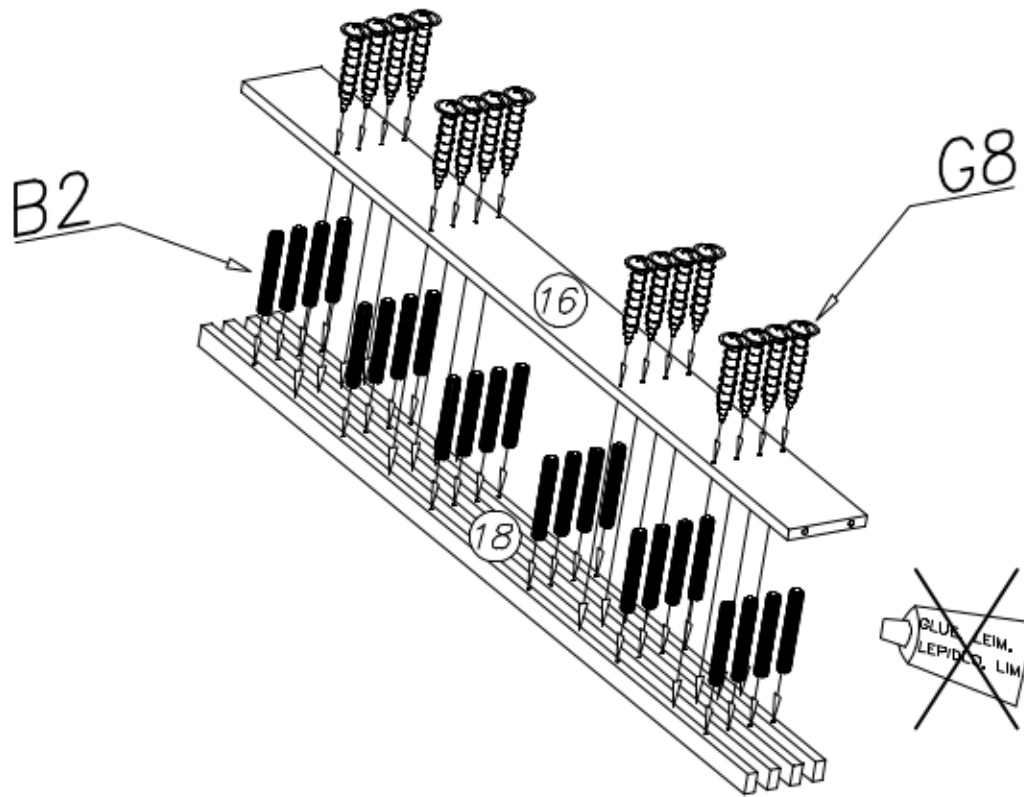
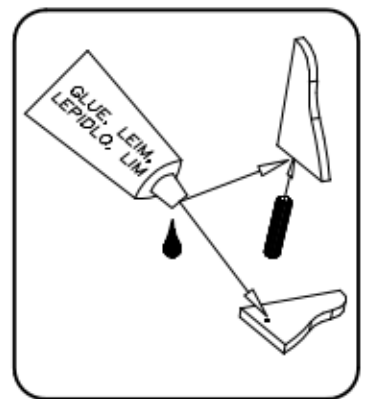
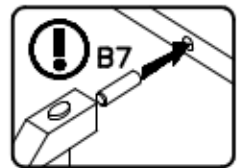
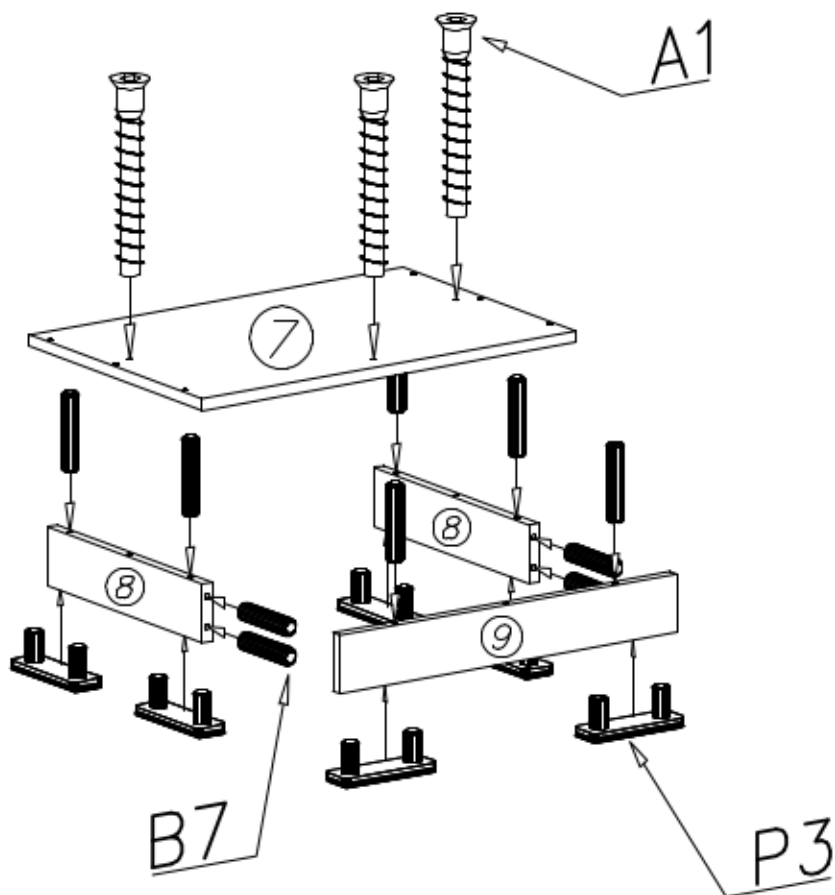


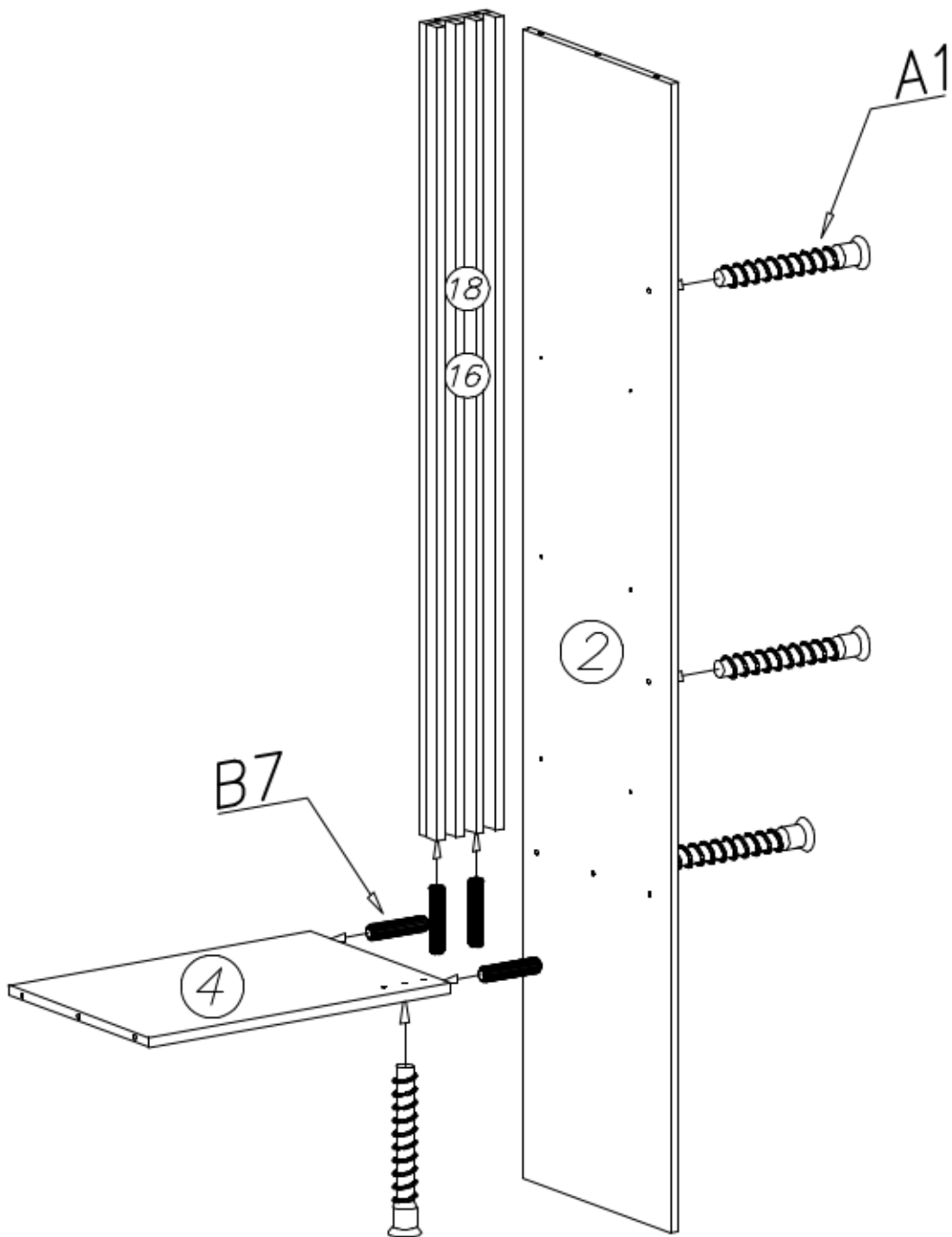
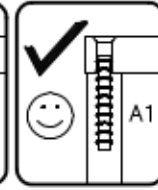
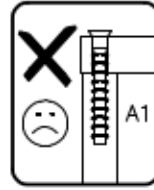
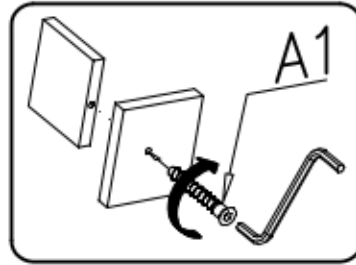
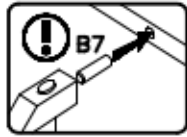
N13 M4x22 x6	C4 Z350D x4	D4 PZ350D x4	B2 ∅6x30 x24	
E11 x3	W1 GLUE, LEIM, LEPIDLO, LIM x2	G8 4x30 x16	G11 4x20 x6	I3 x6
P3 x6	G4 4x16 x8	G2 3x20 x40	F1 x14	H24 x1
A1 ∅7x50 x13	B7 ∅8x30 x34	W2 x1	G1 4x13 x10	350mm x1

I

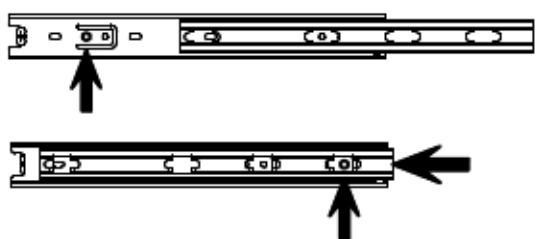
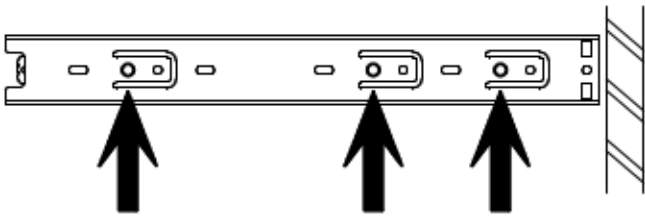
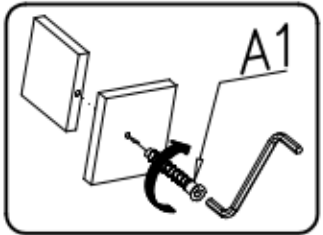
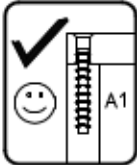
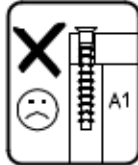
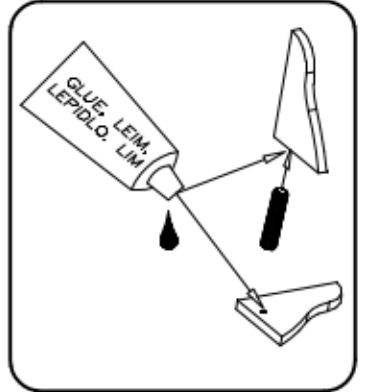
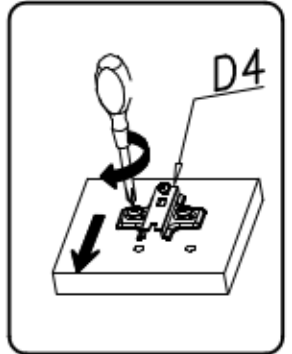
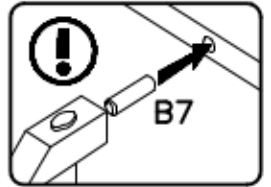
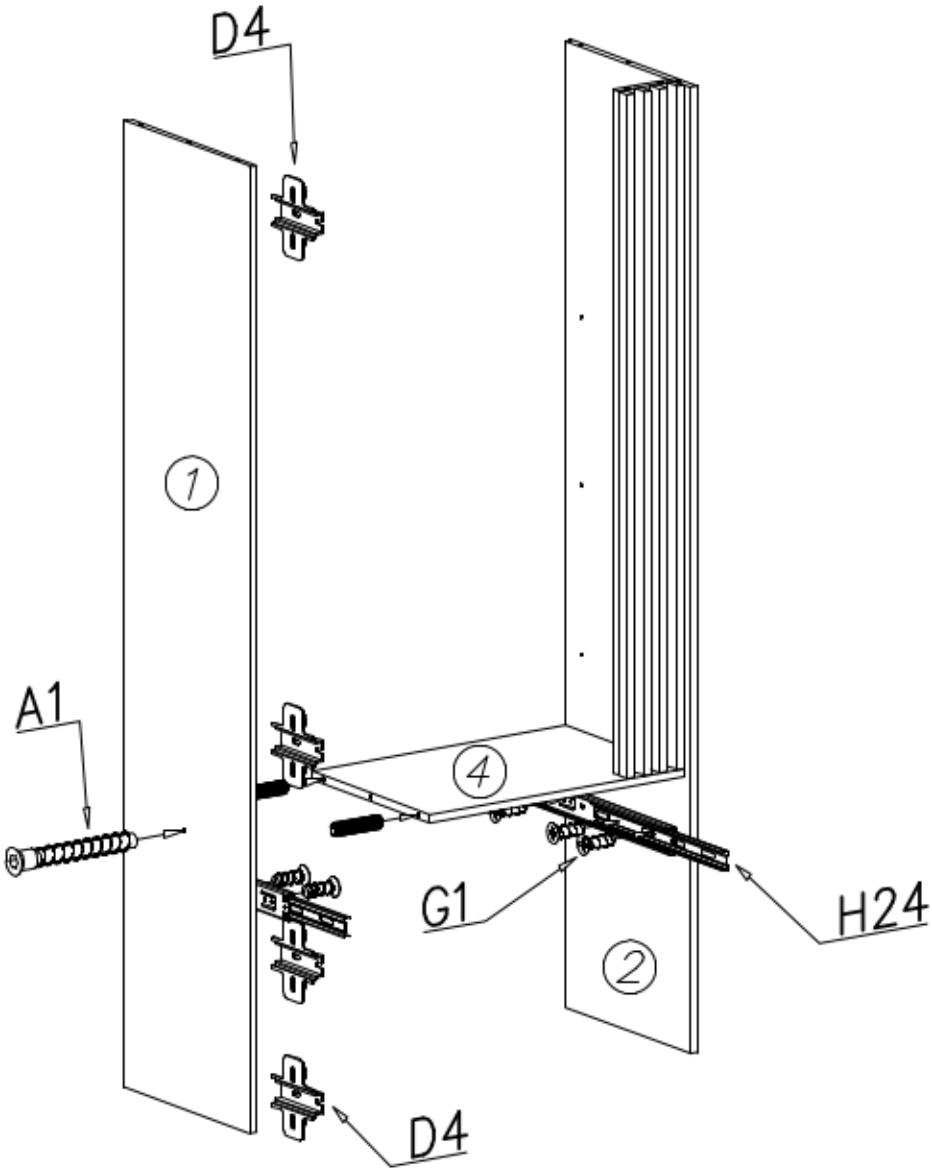
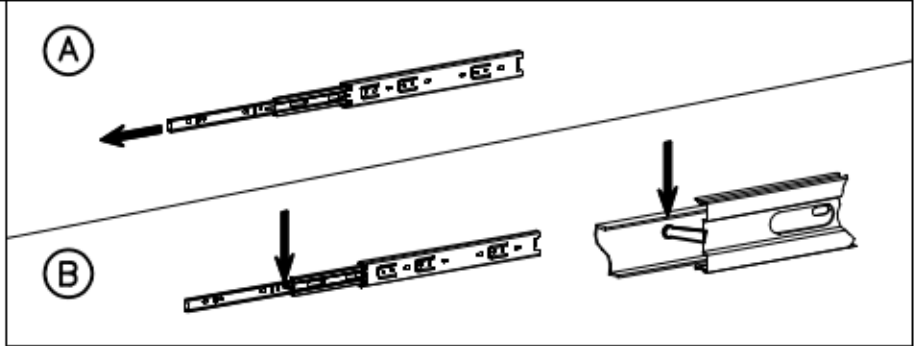


II

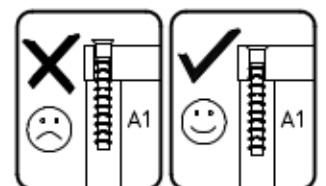
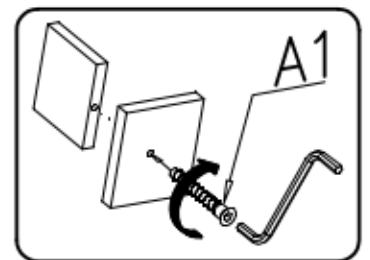
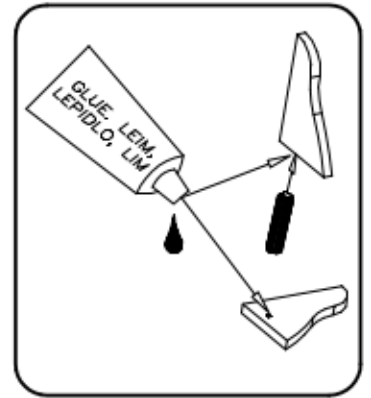
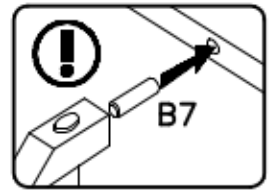
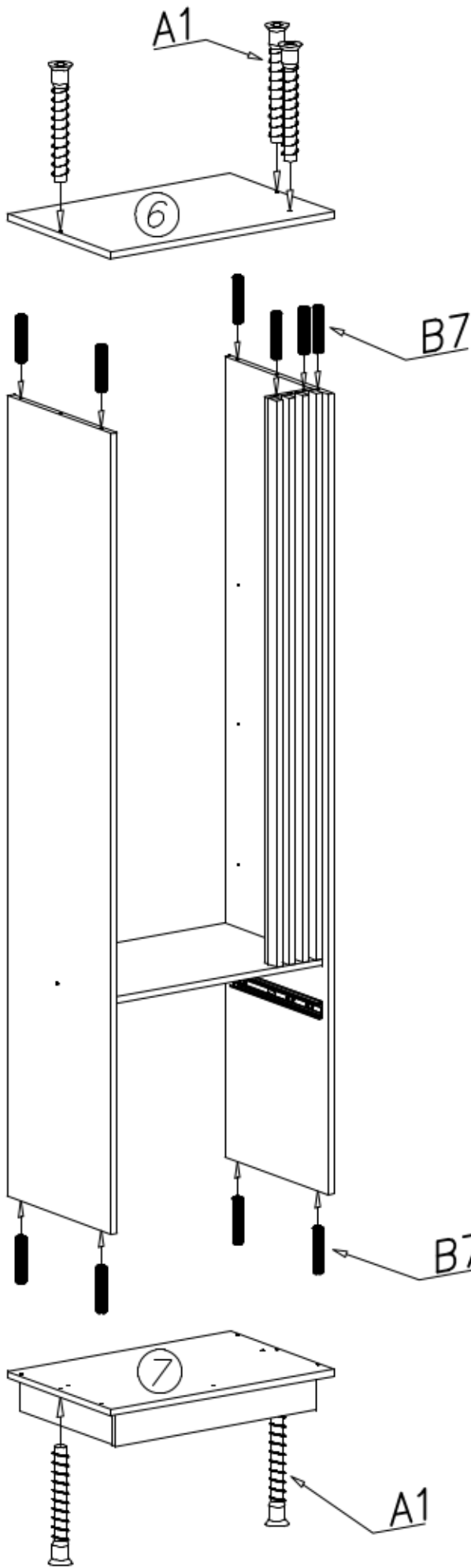




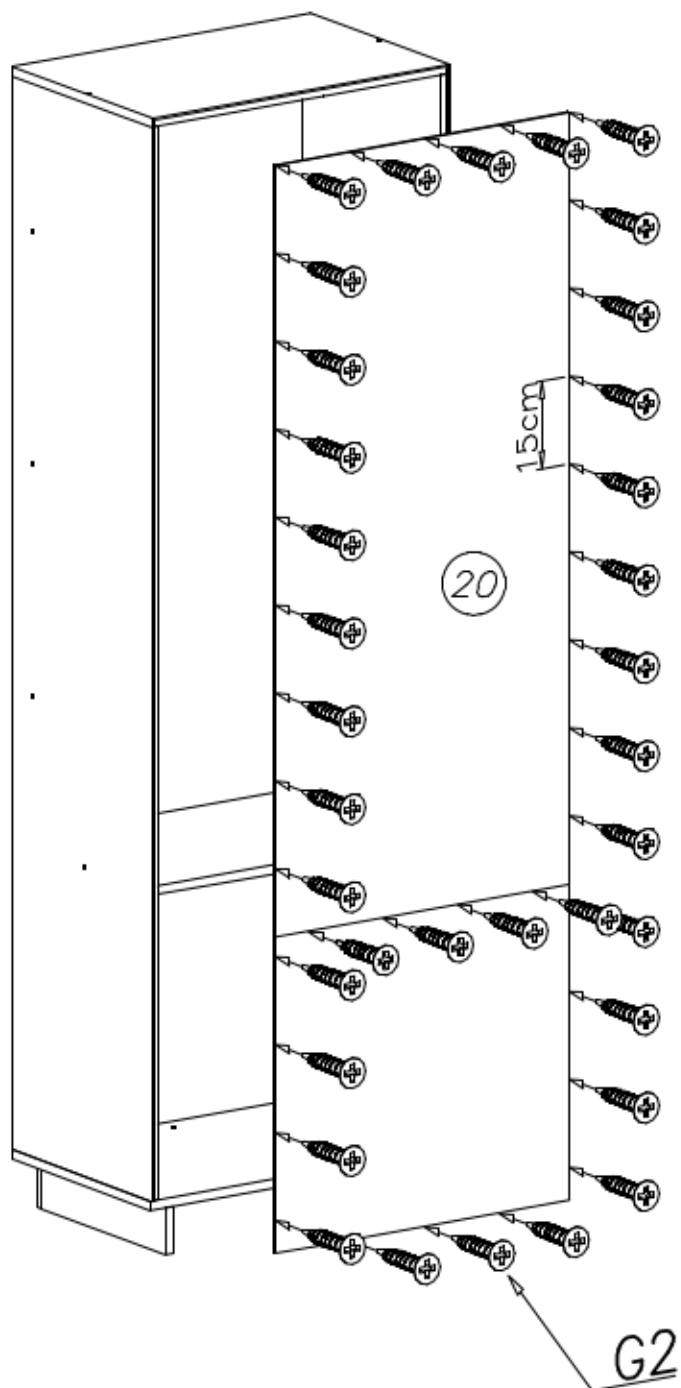
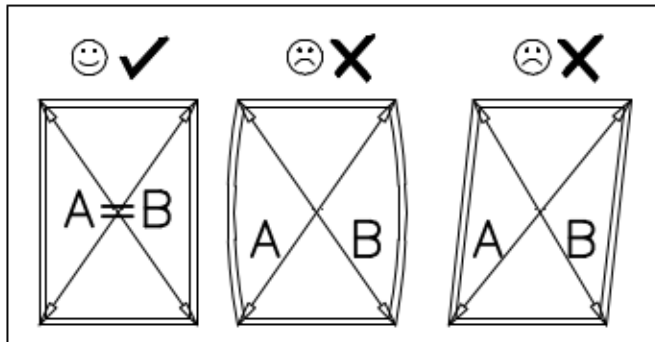
IV



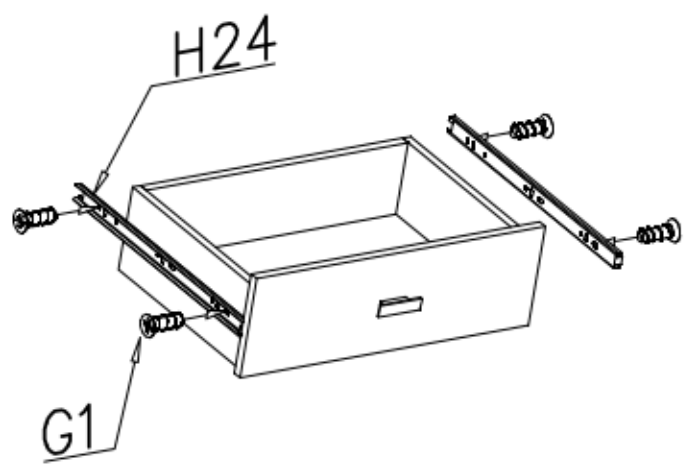
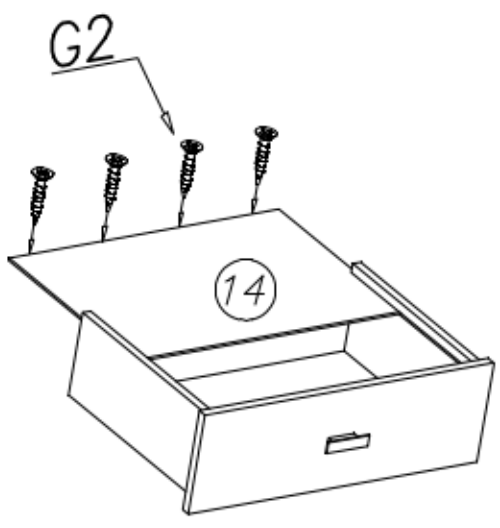
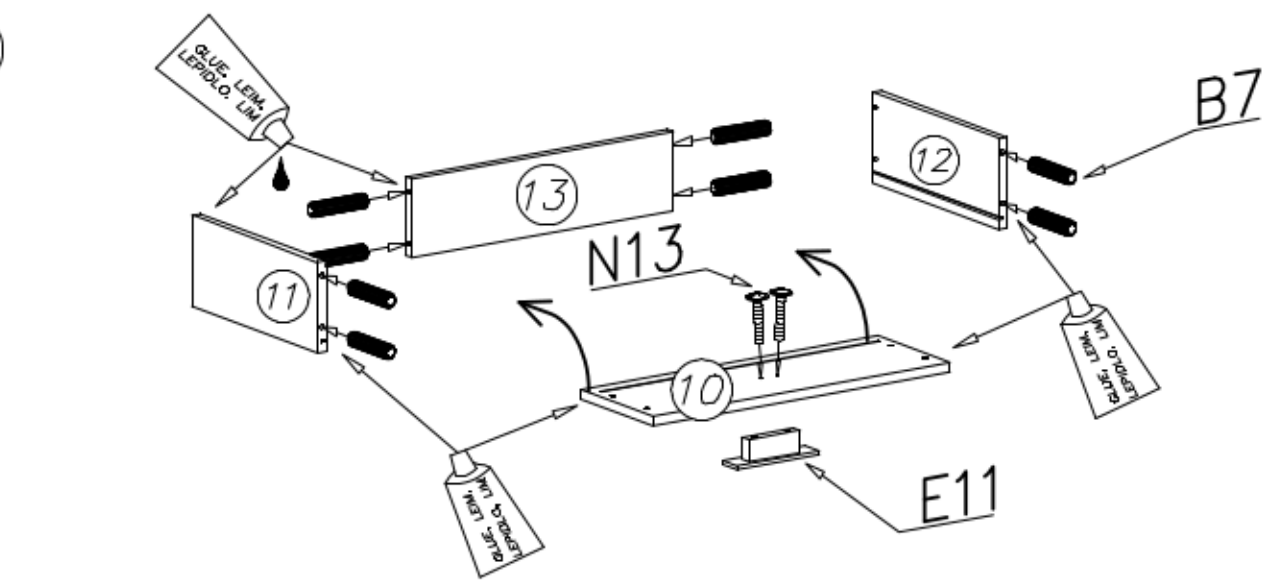
V



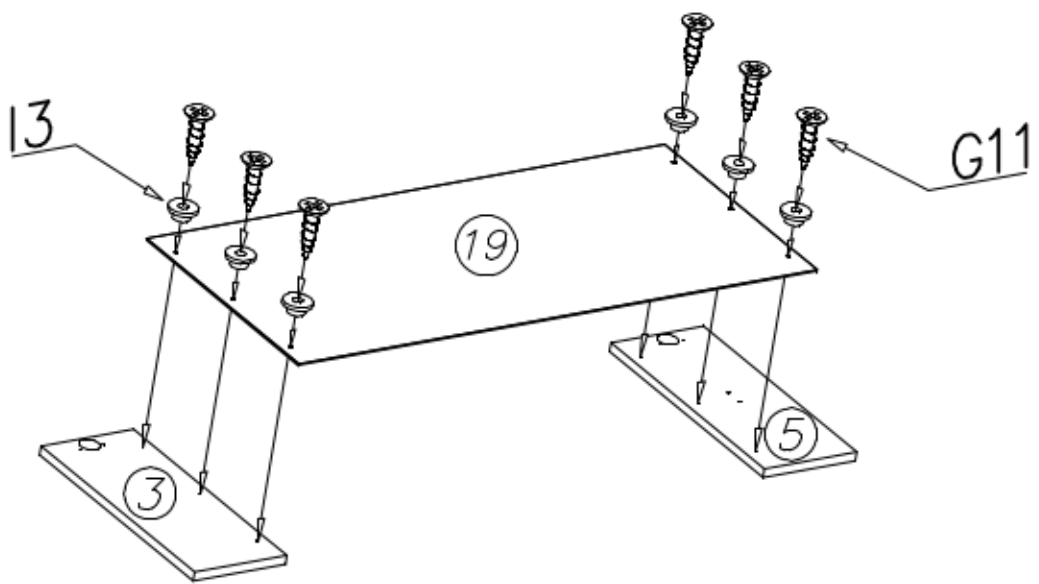
VI



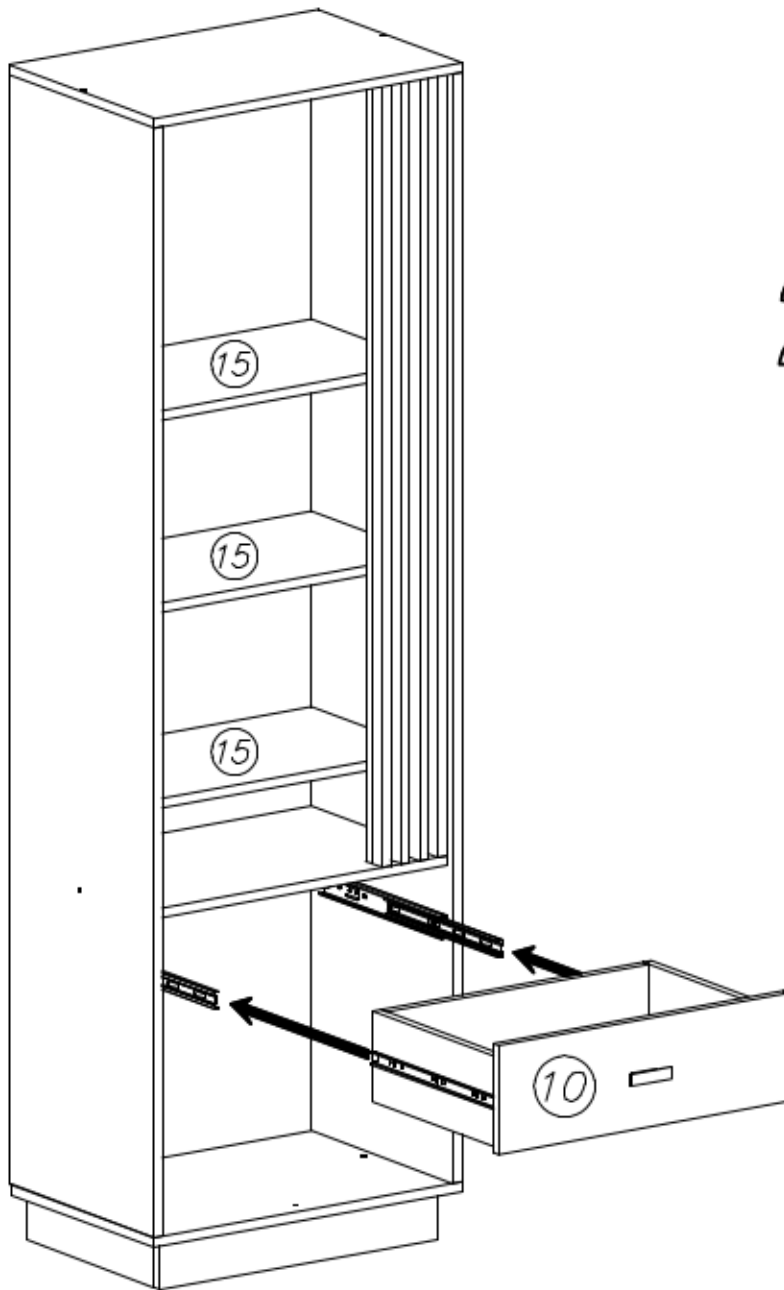
VII



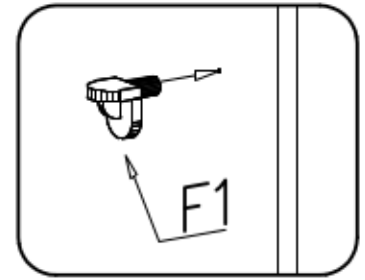
VIII



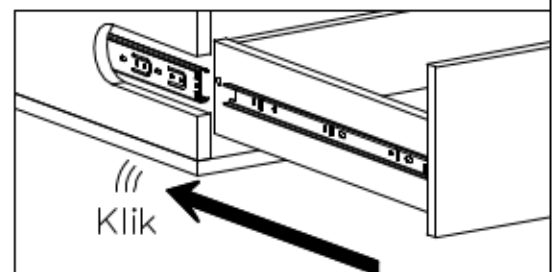
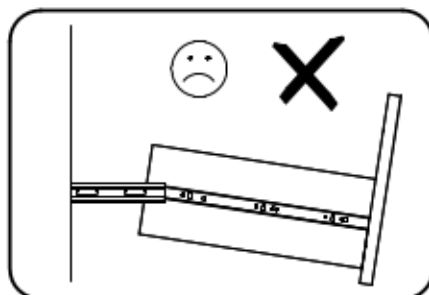
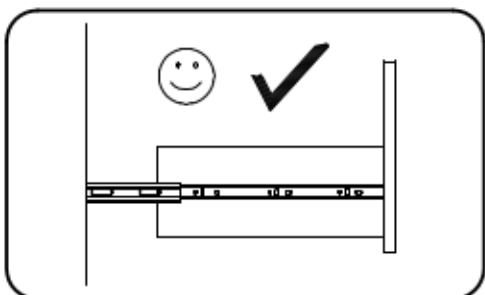
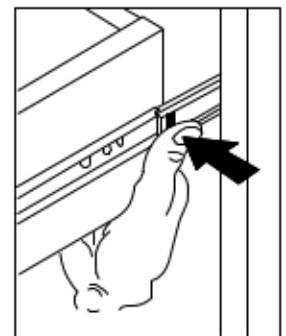
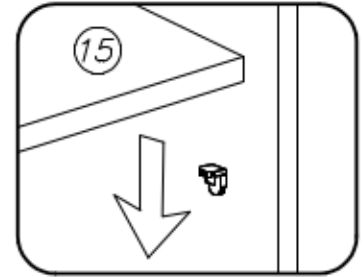
IX



1



2



(X)

