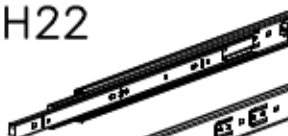

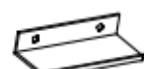

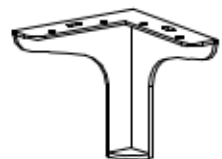



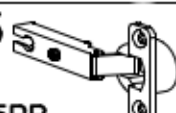
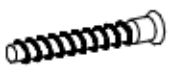



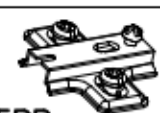
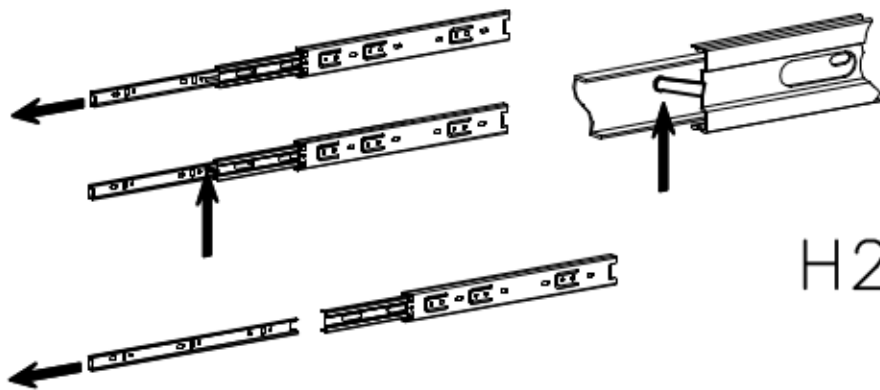
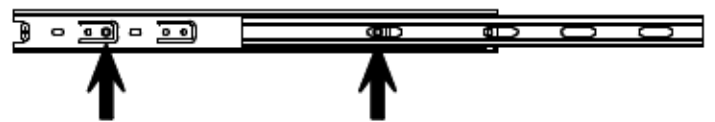
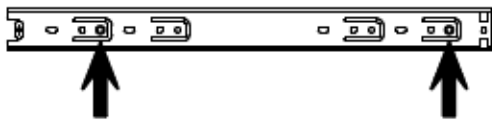
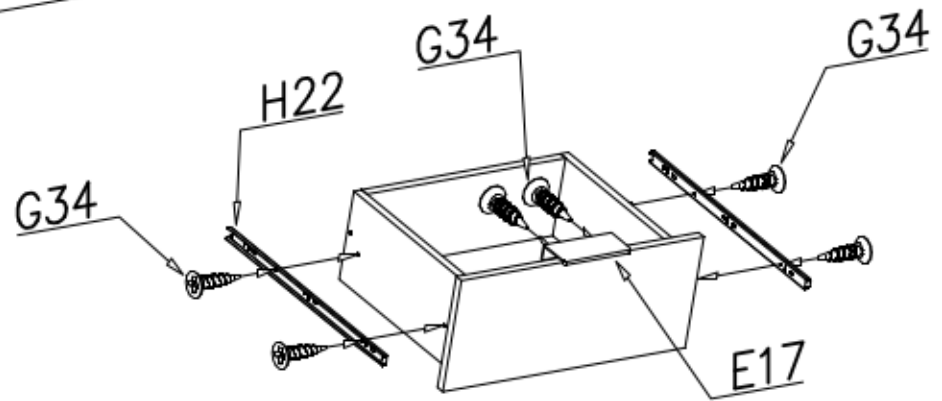
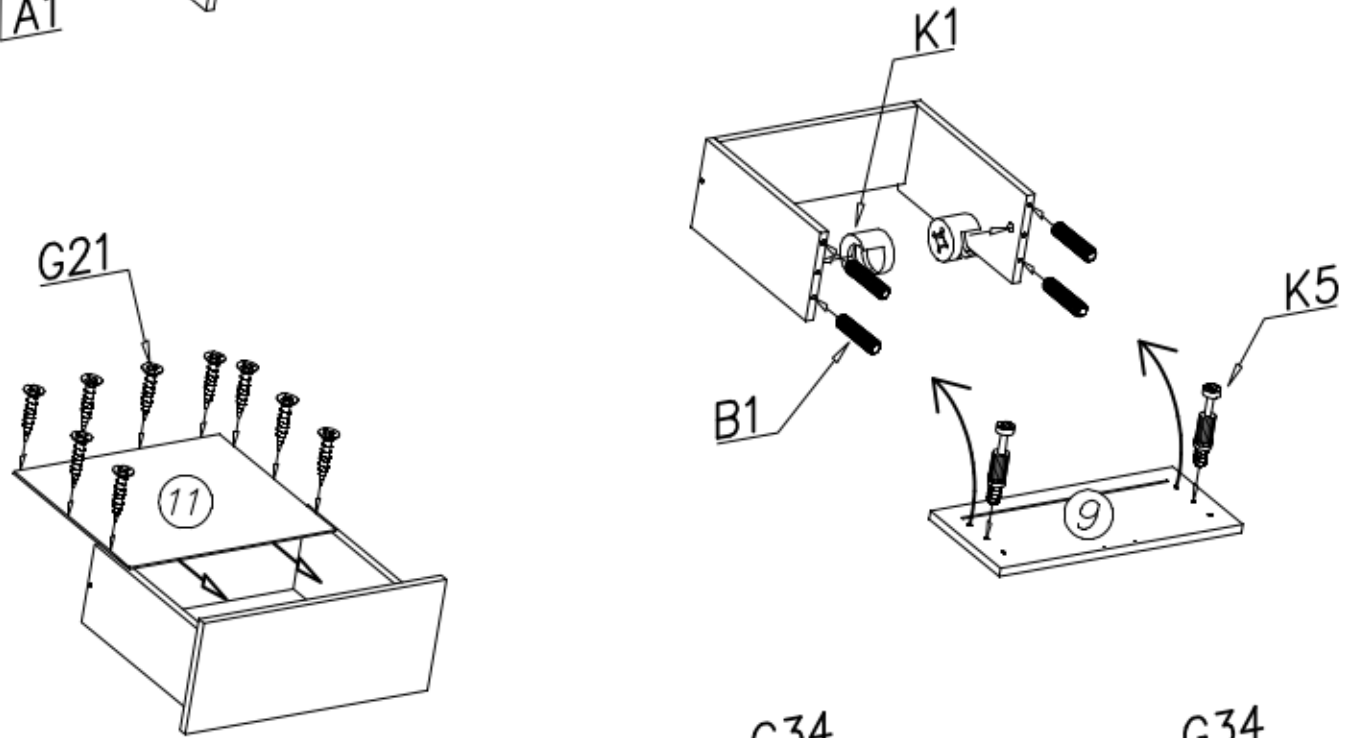
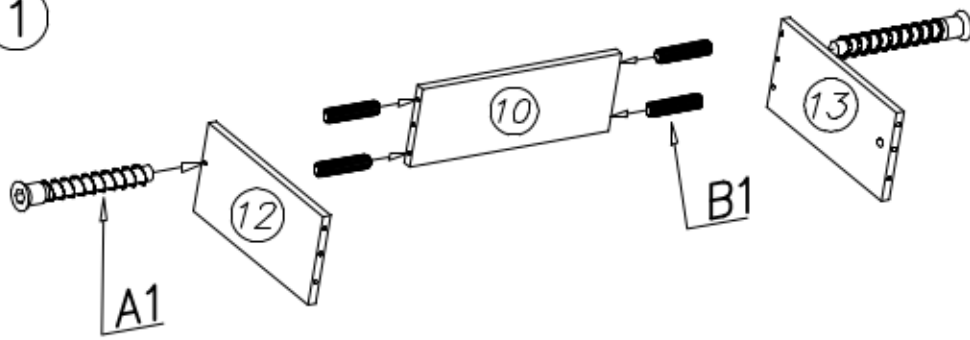


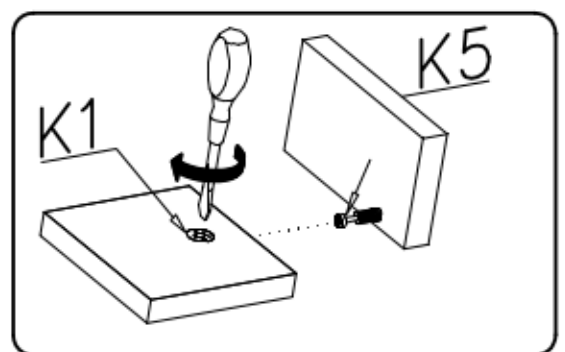
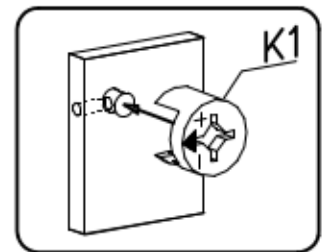
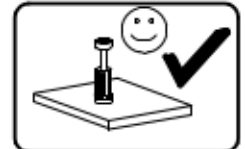
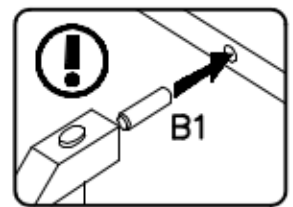
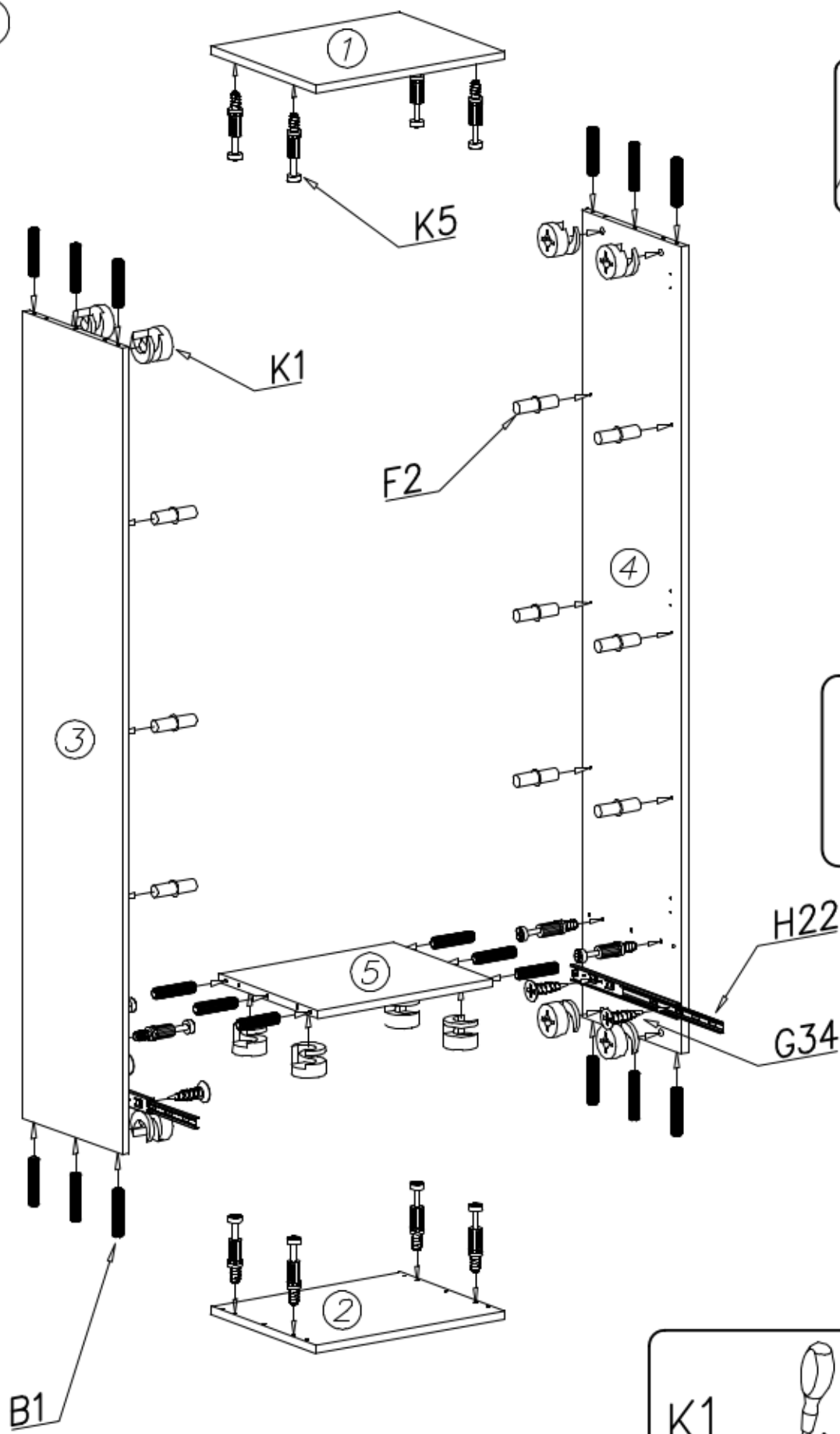
| | | | |
|---|--|--|---|
| H22  x1 | G21  3x16 x70 x70 | | |
| | E17  x2 | K5  x14 | P13  x4 |
| G34  3,5x16 x12 | G4  4x16 x22 | K1  ø15x13,2 x14 | C3  Z35PR x3 |
| A1  ø7x50 x2 | F2  x12 | I7  ø18 x14 | B1  ø8x35 x26 |
| | | | D3  PZ35PR x3 |

1

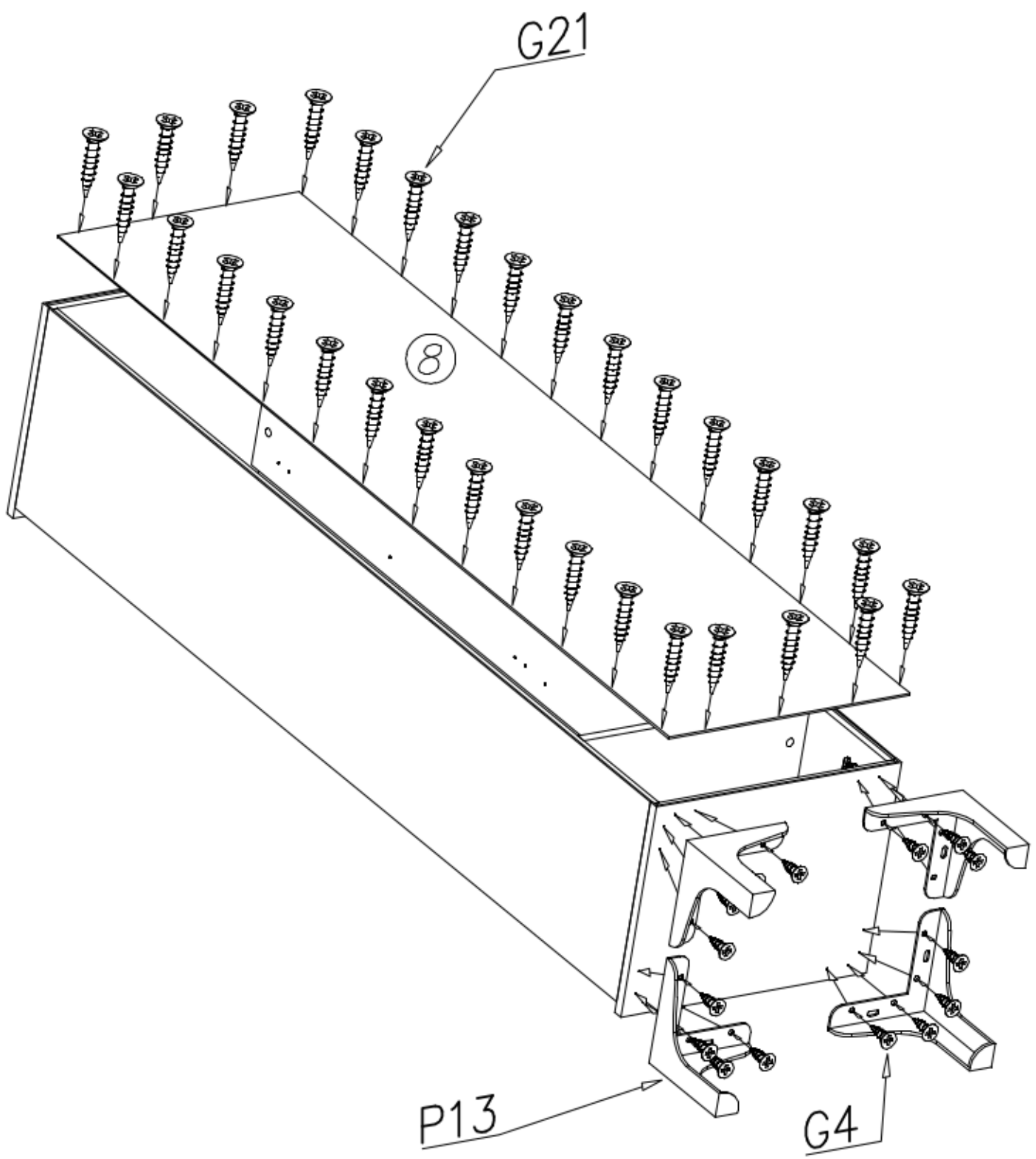
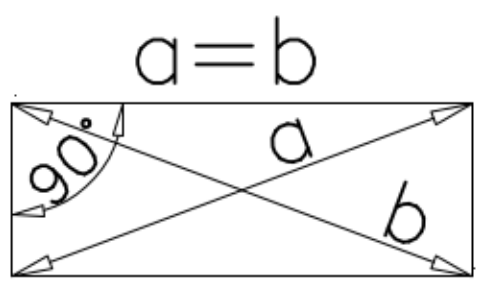
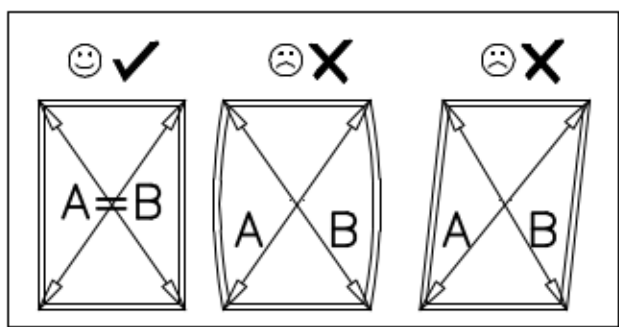


H22

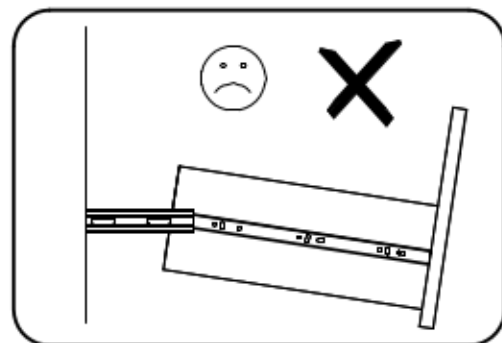
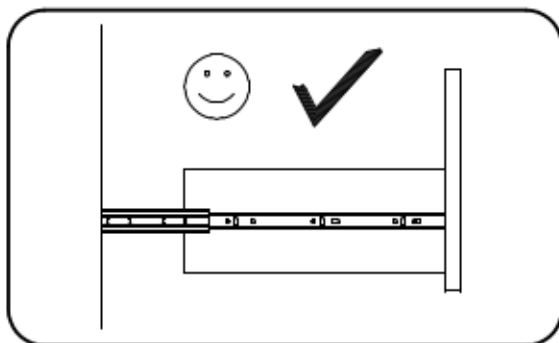
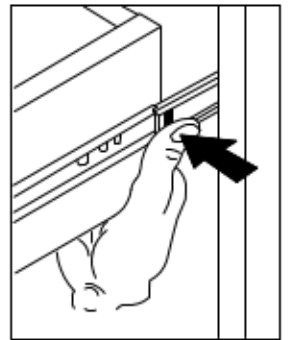
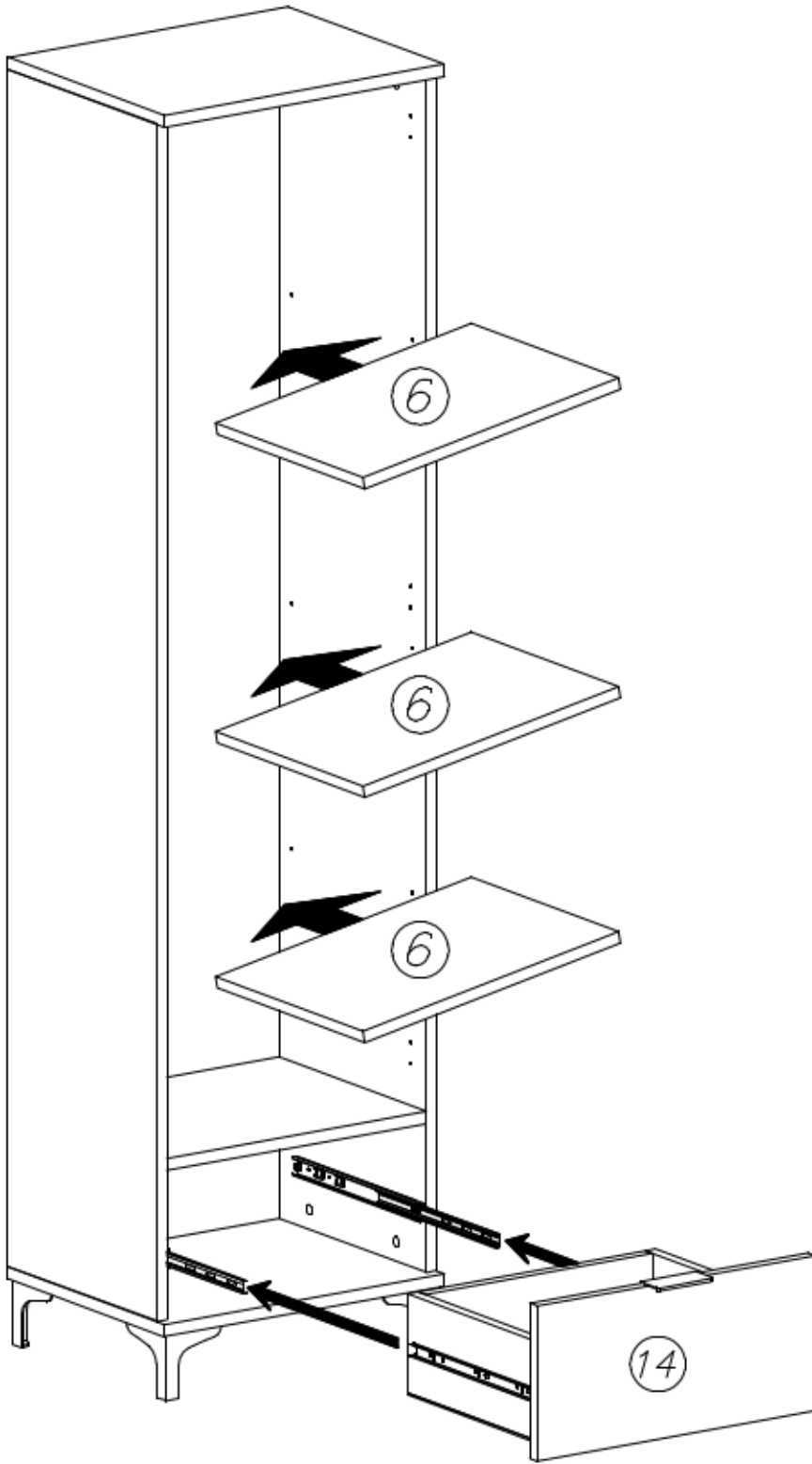
2



3



4



5

