
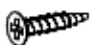


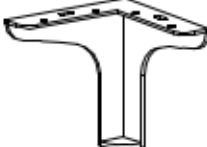



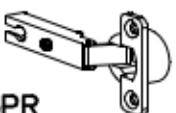
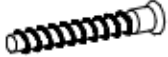




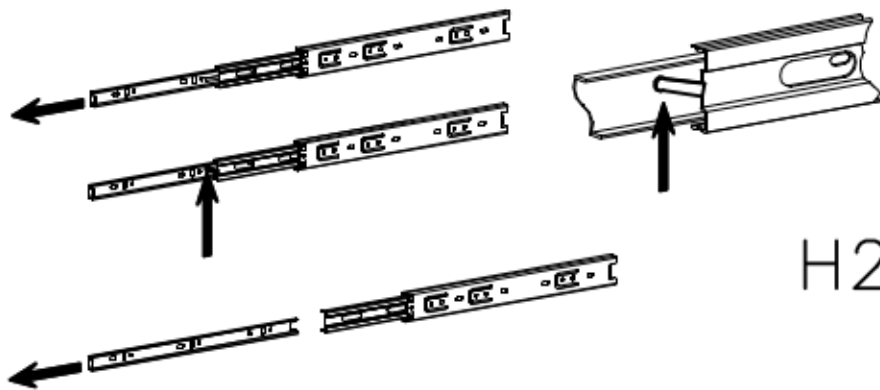
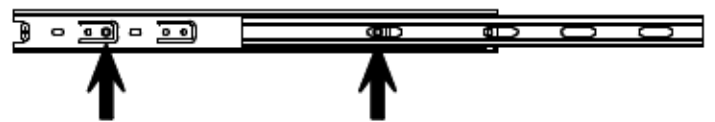
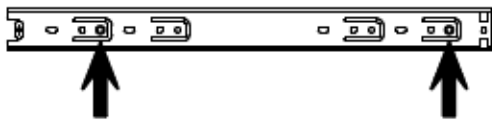
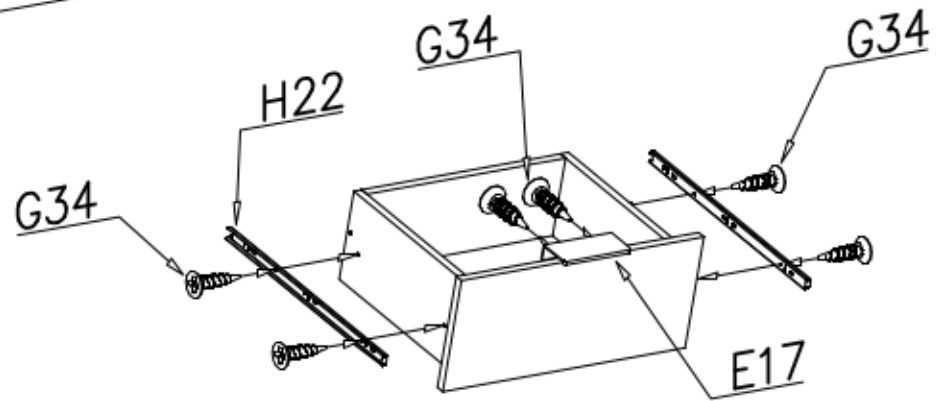
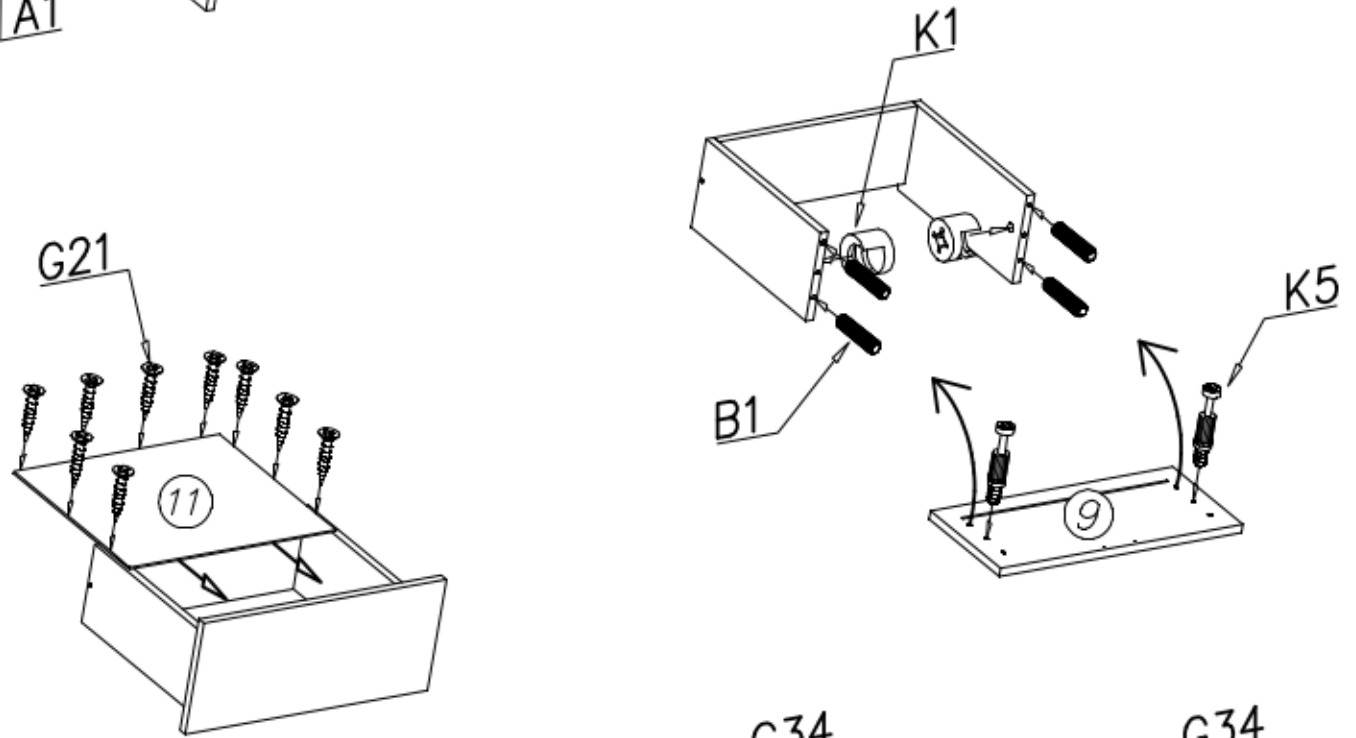
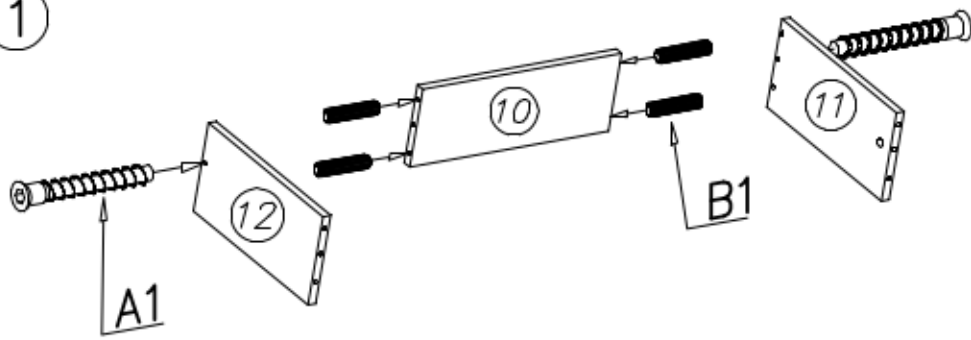


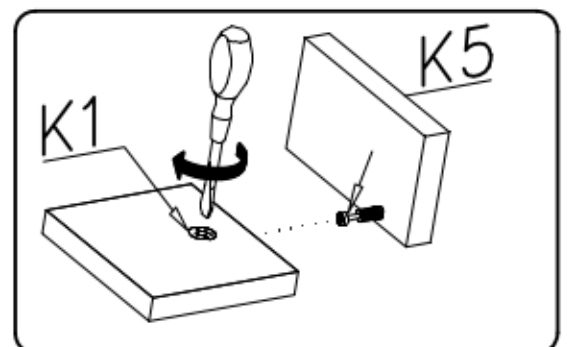
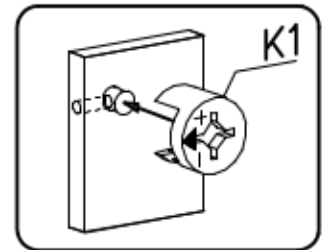
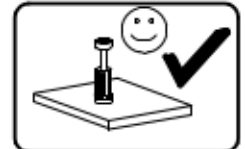
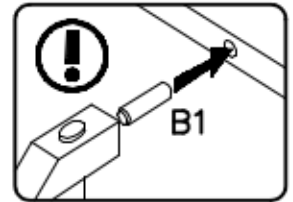
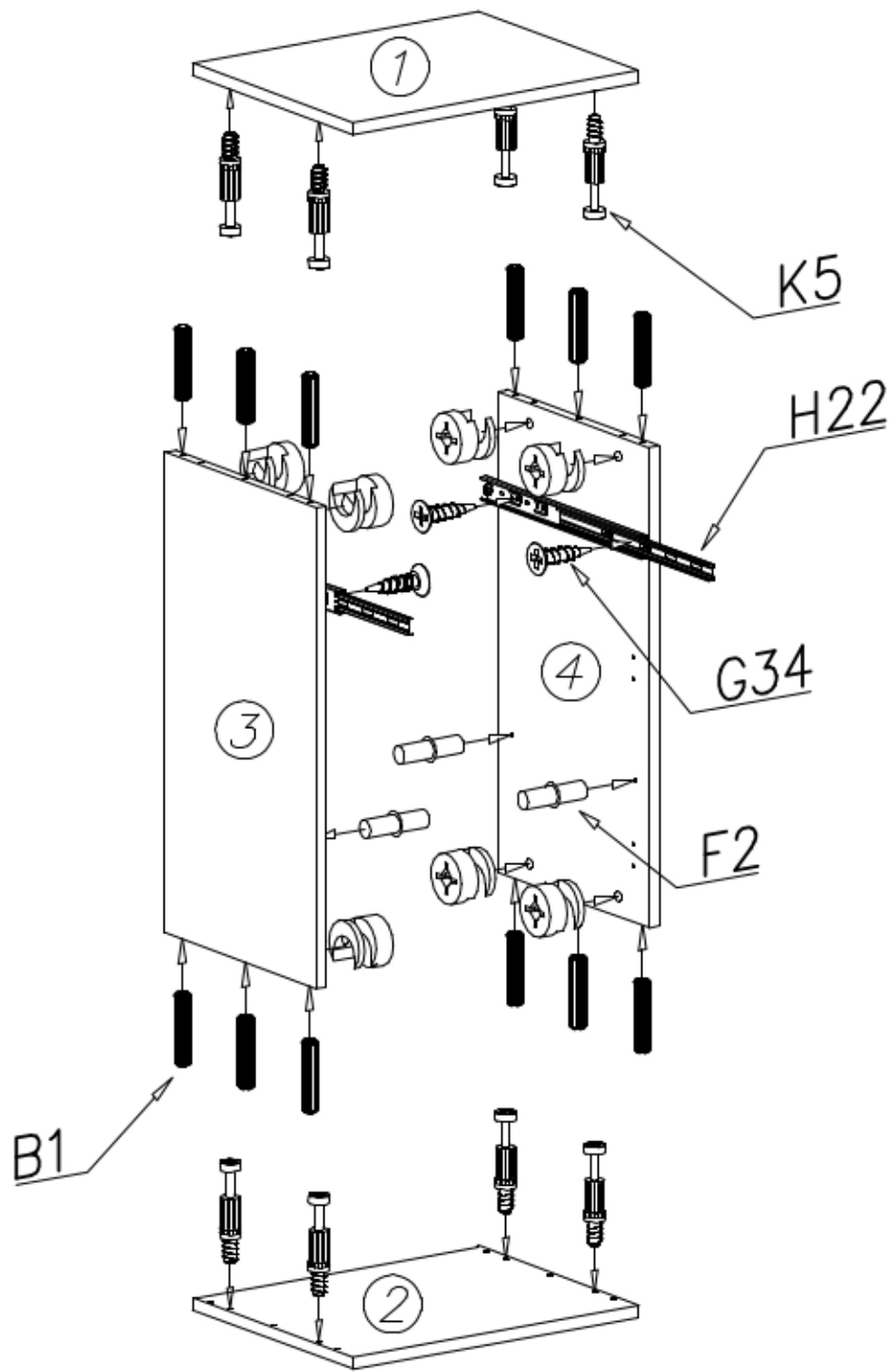
| | | | |
|---|--|--|---|
| H22  x1 | G21  3x16 x70 x70 | | |
| | E17  x2 | K5  x10 | P13  x4 |
| G34  3,5x16 x12 | G4  4x16 x20 | K1  ø15x13,2 x10 | C3  Z35PR x2 |
| A1  ø7x50 x2 | F2  x4 | I7  ø18 x10 | B1  ø8x35 x20 |
| | | | D3  PZ35PR x2 |

1

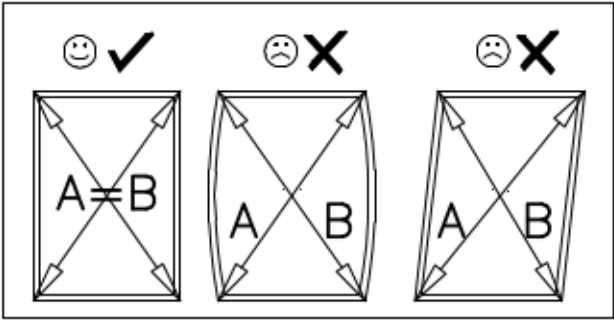


H22

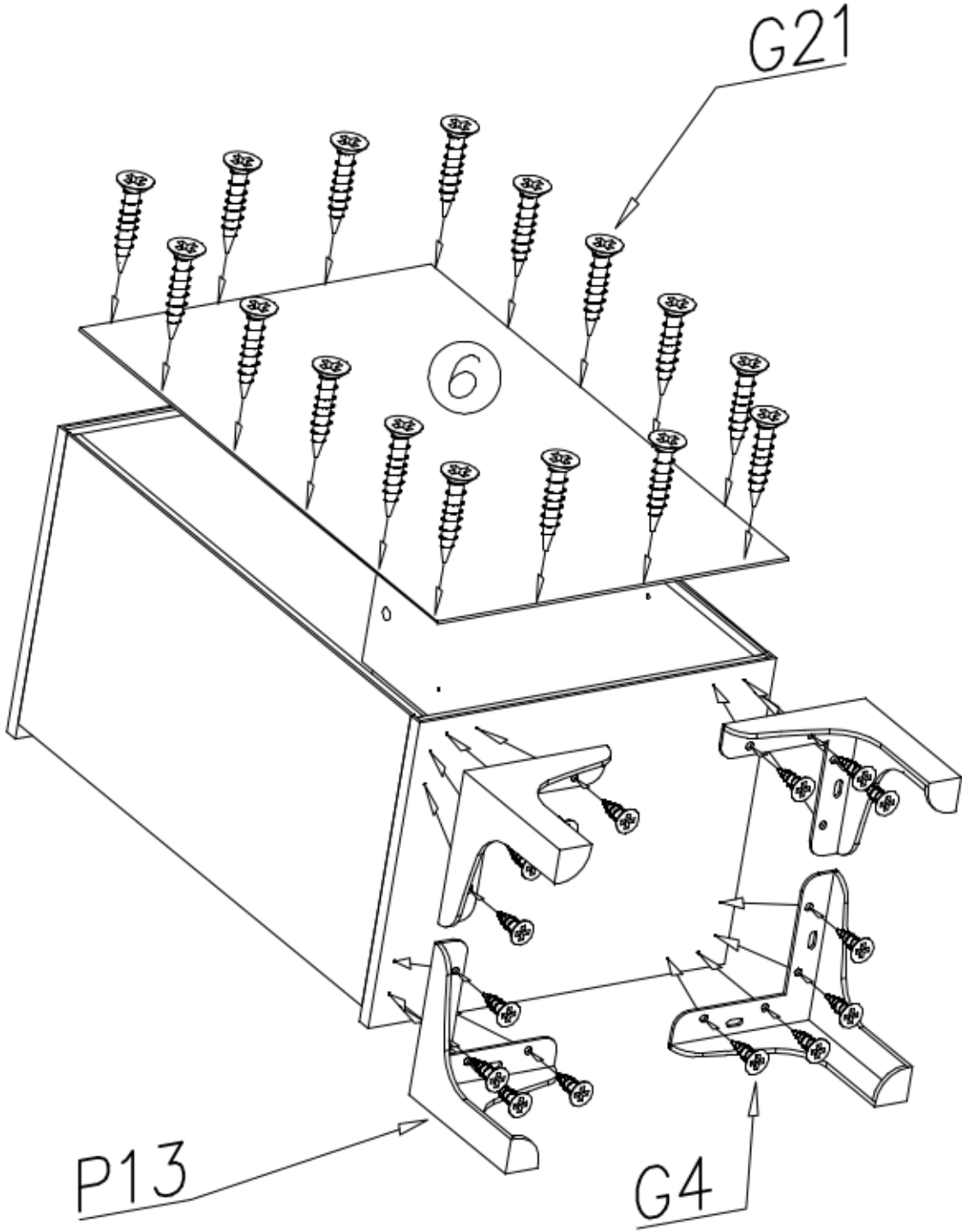
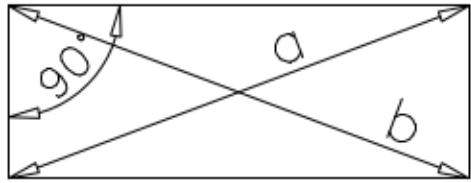
2



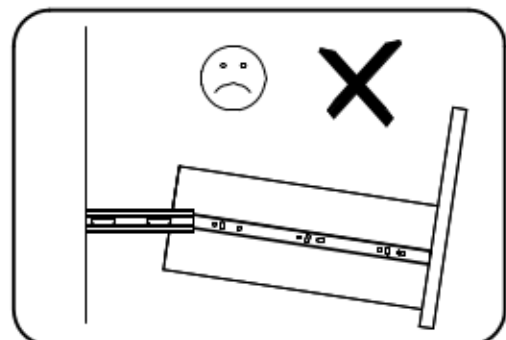
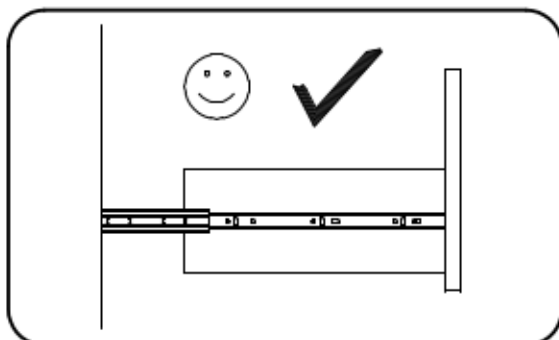
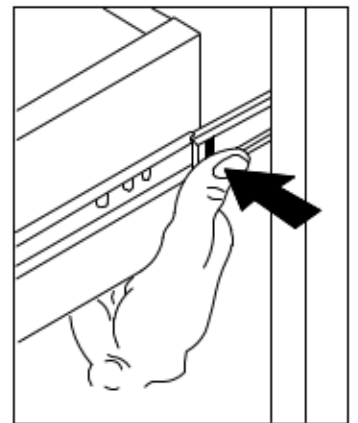
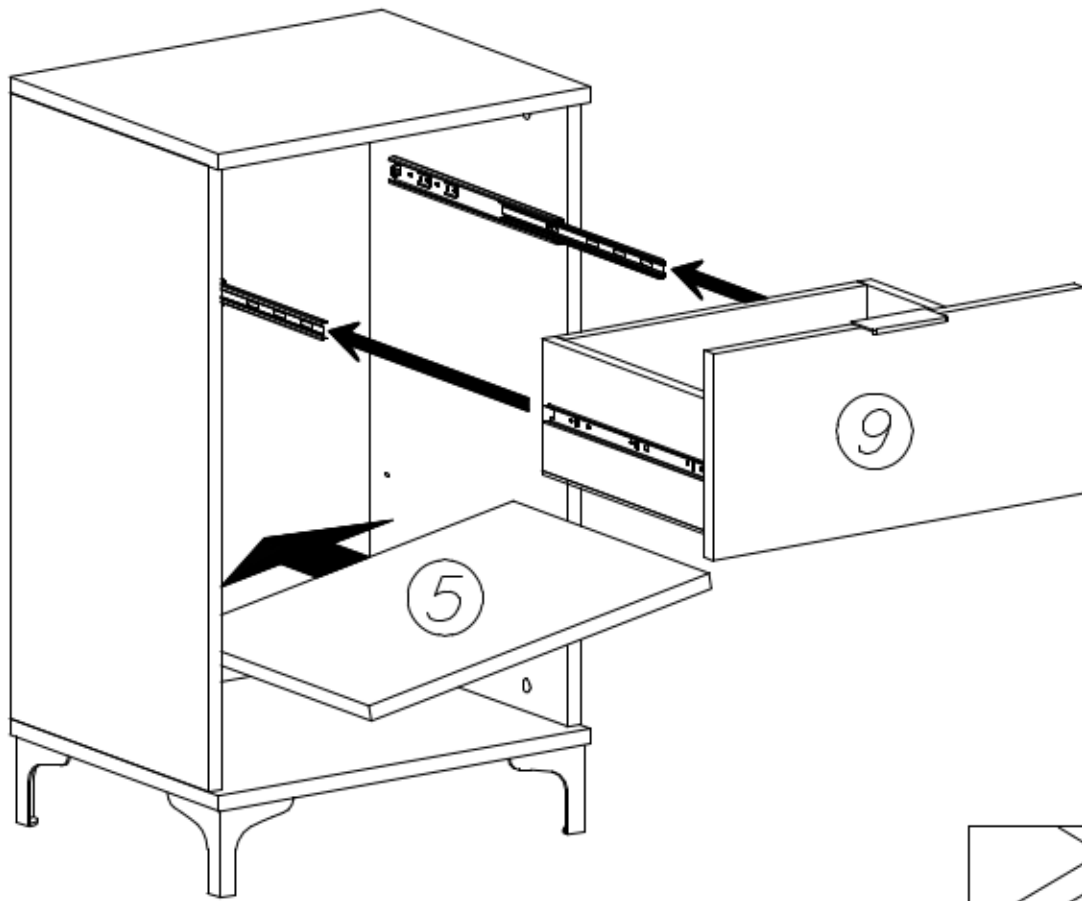
3



$$a = b$$



4



5

