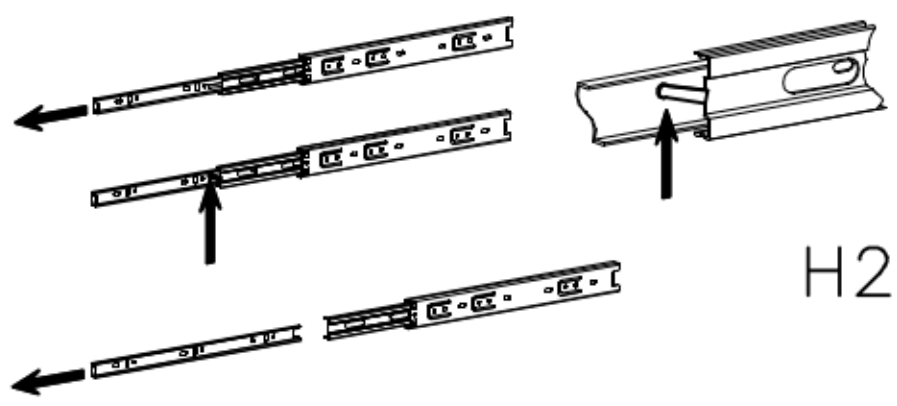
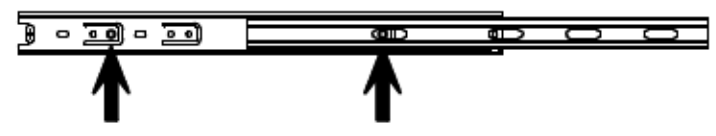
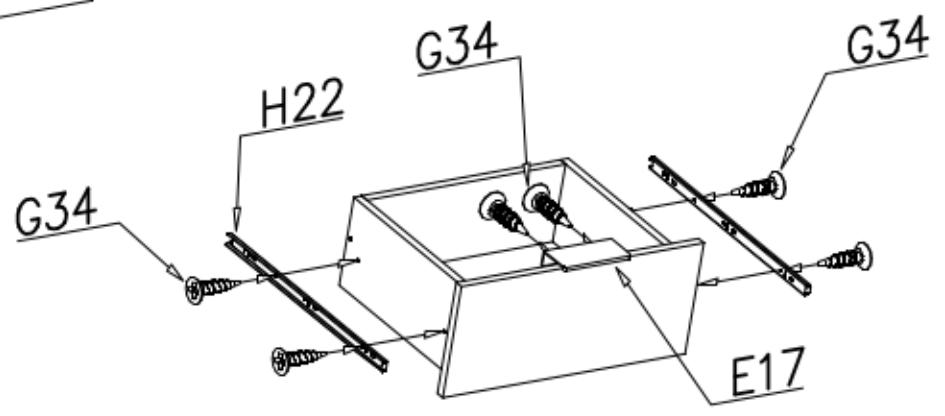
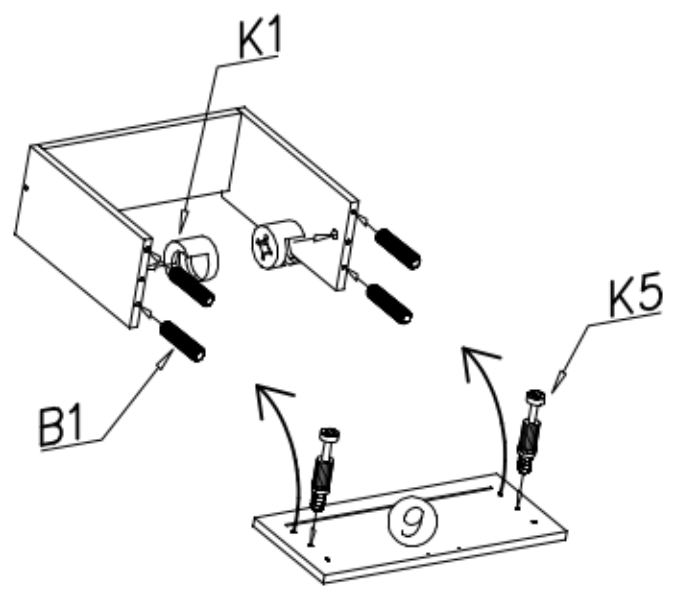
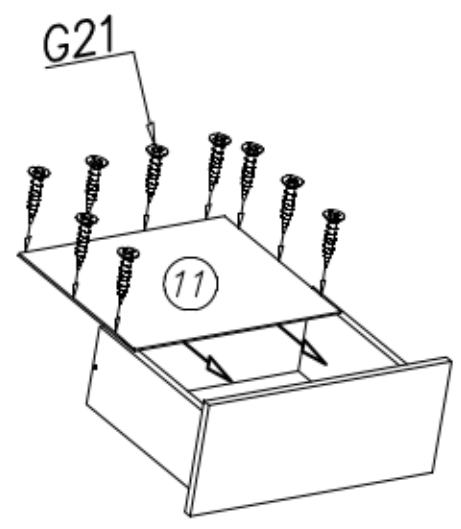
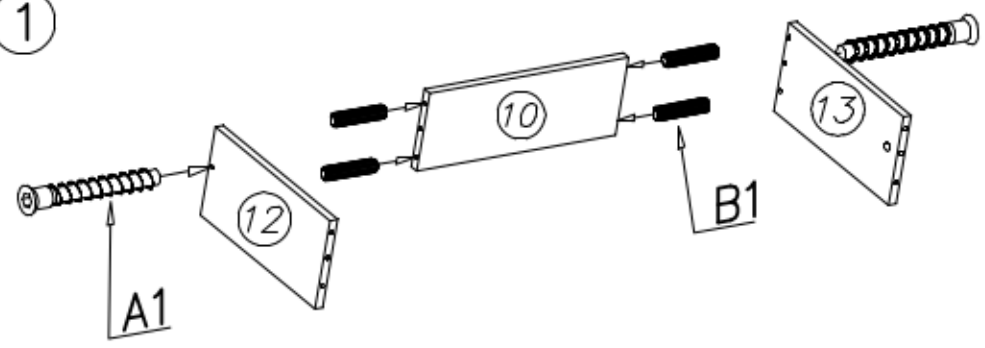


H22 x1	G21 3x16 x70
G34 3,5x16 x12	E17 x2
A1 ø7x50 x2	F2 x12

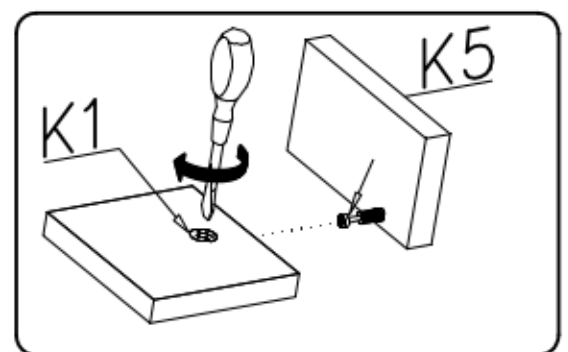
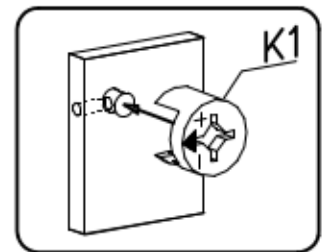
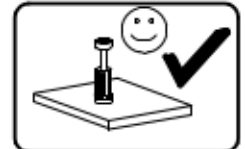
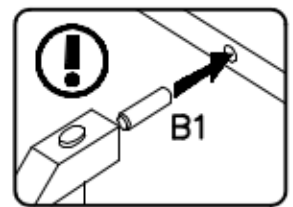
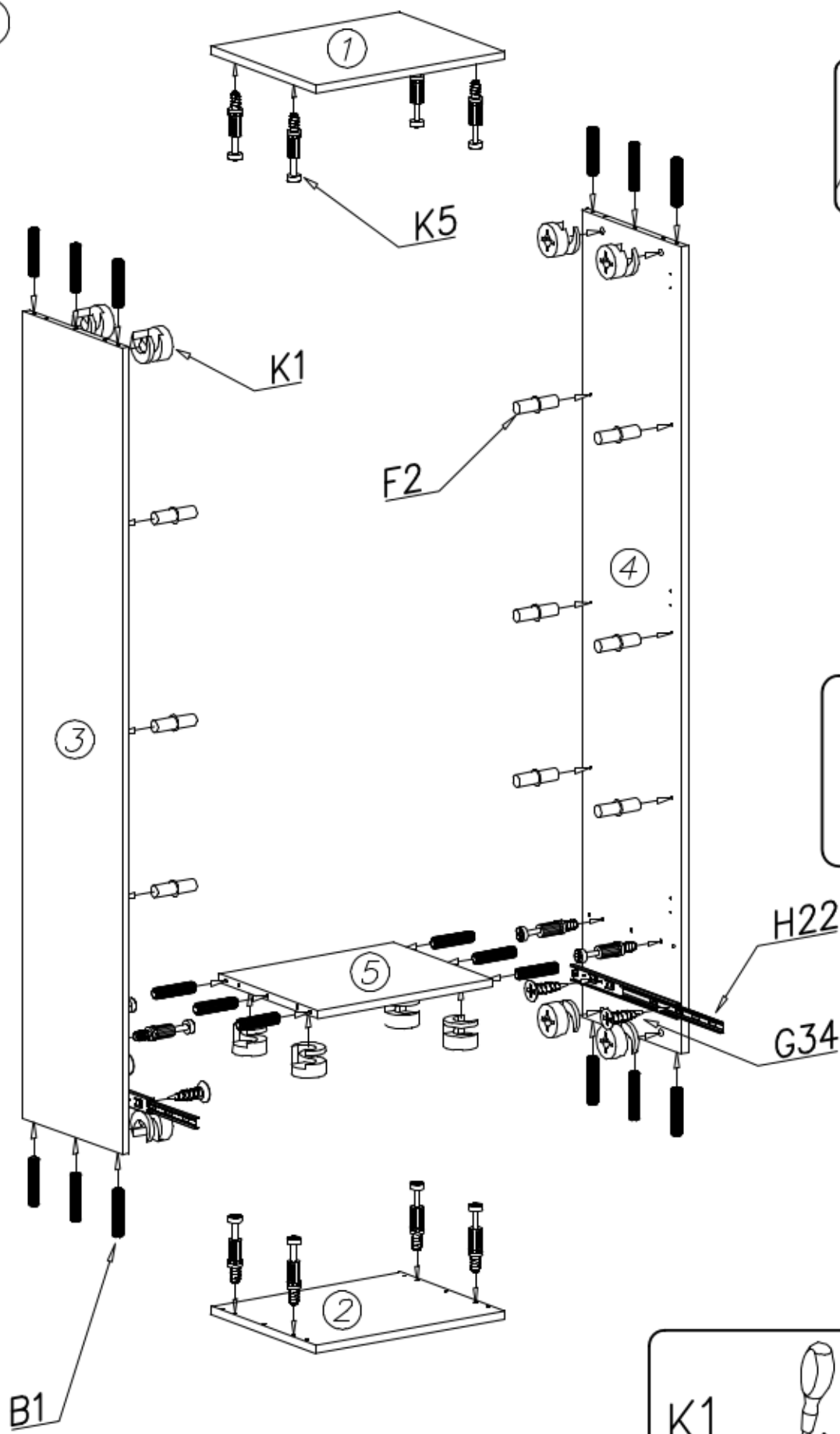
K5 x14	P13 x4
K1 ø15x13,2 x14	C3 Z35PR x3
I7 ø18 x14	D3 PZ35PR x3

1

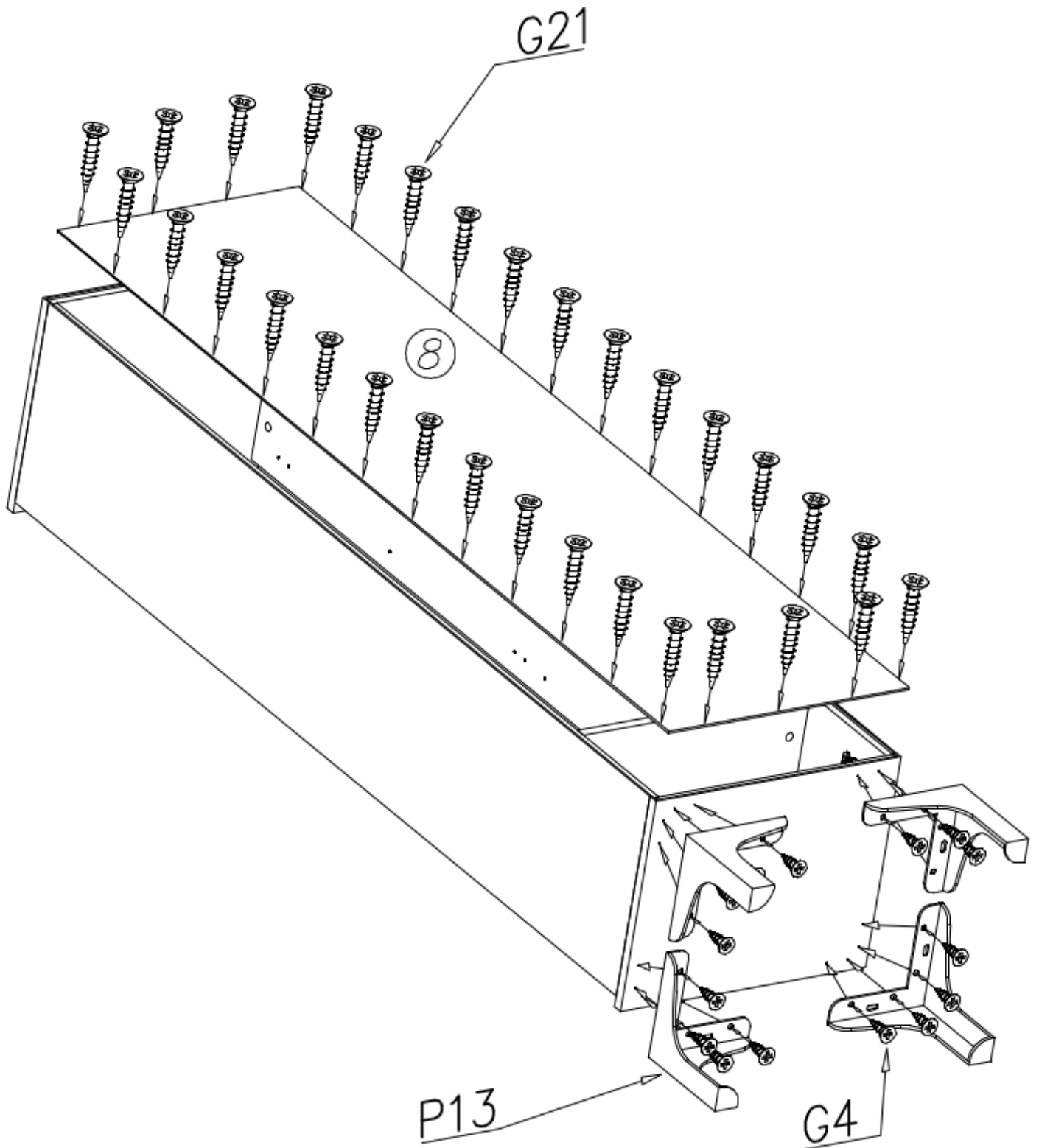
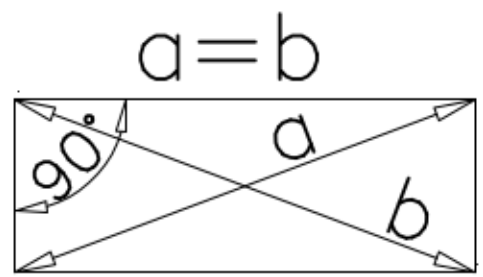
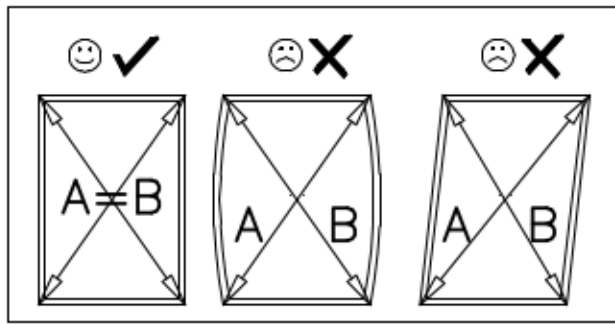


H22

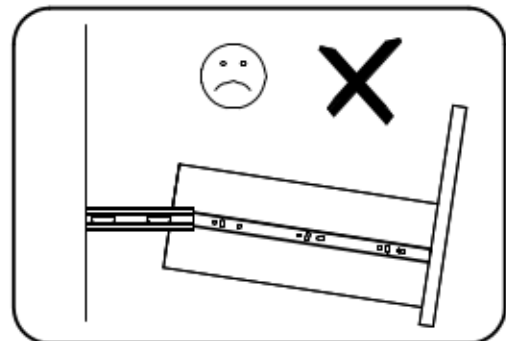
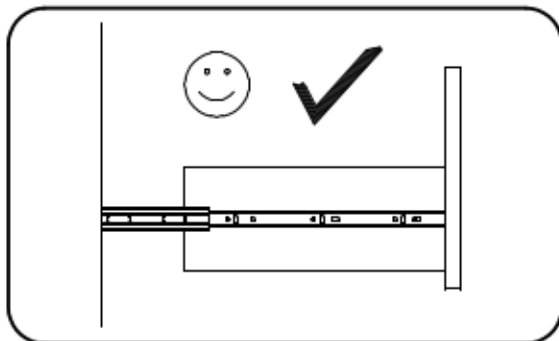
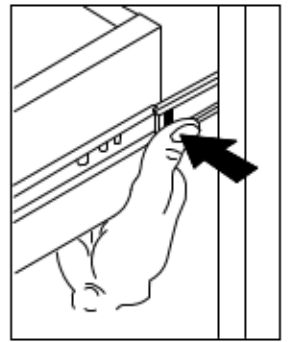
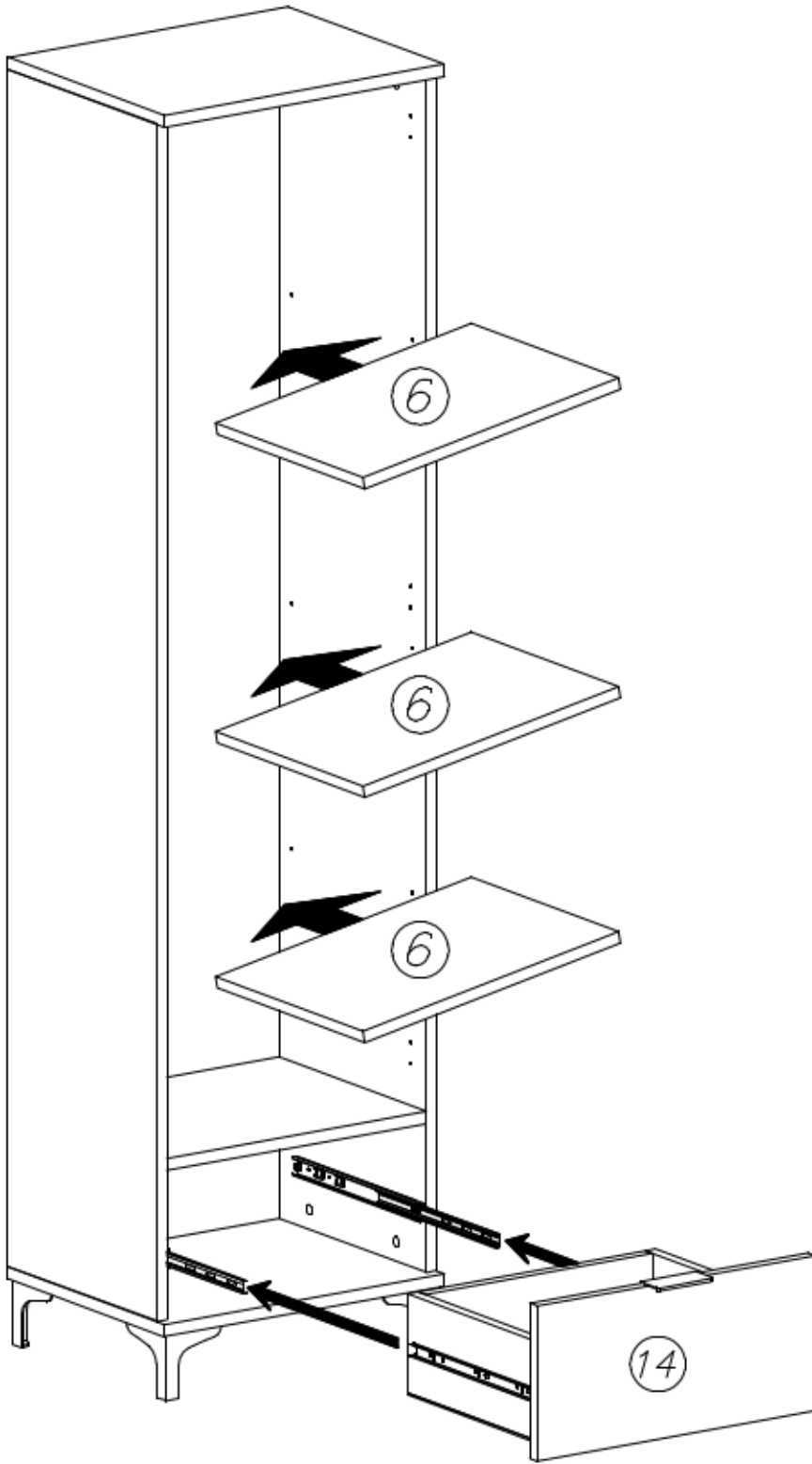
2



3



4



5

