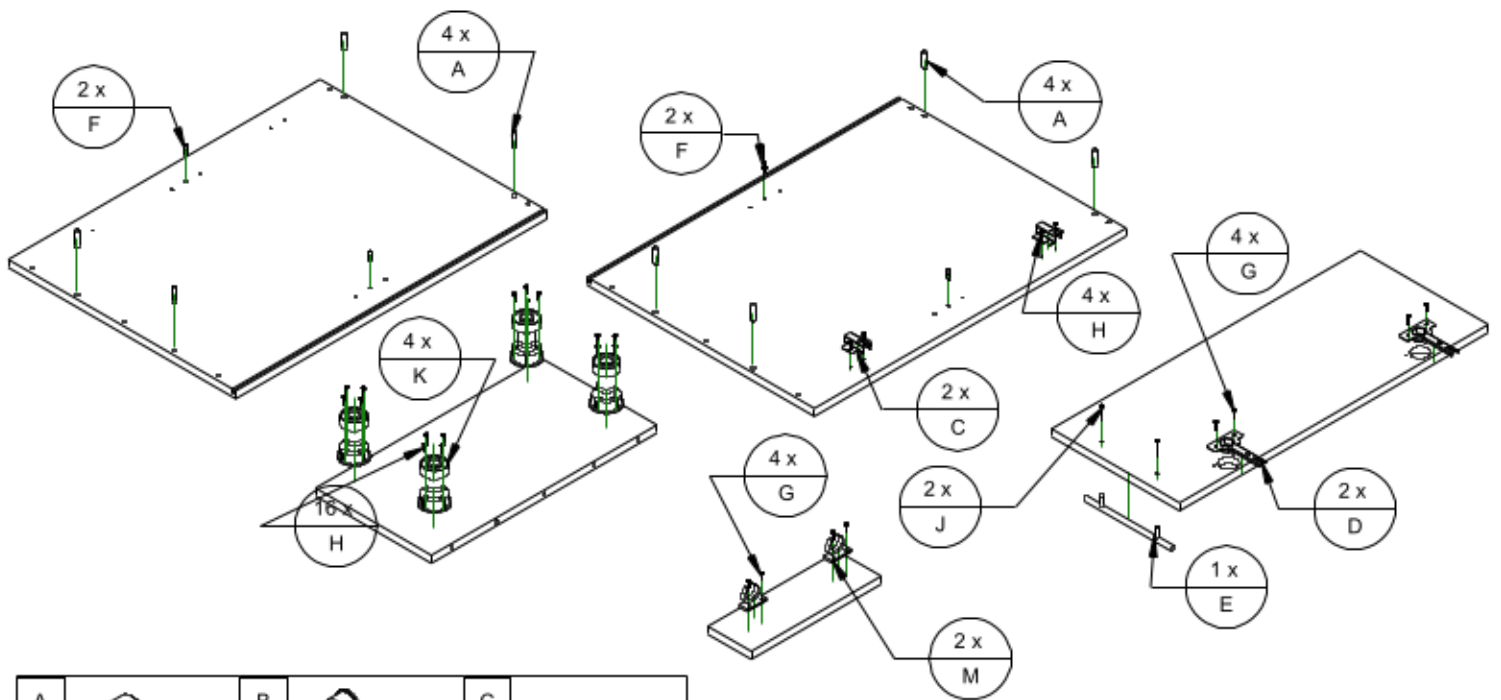
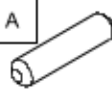



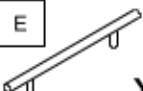

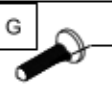
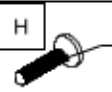


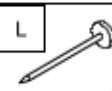
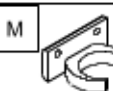
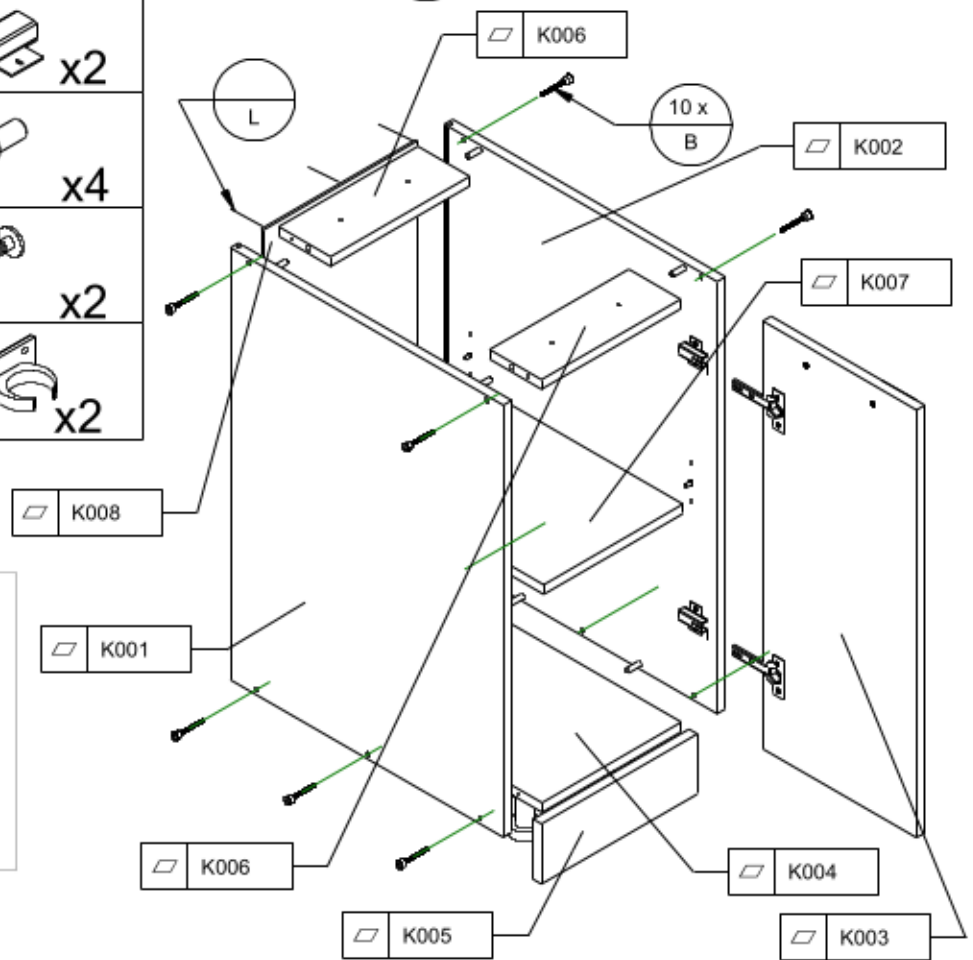
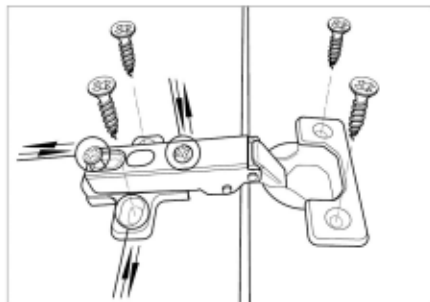


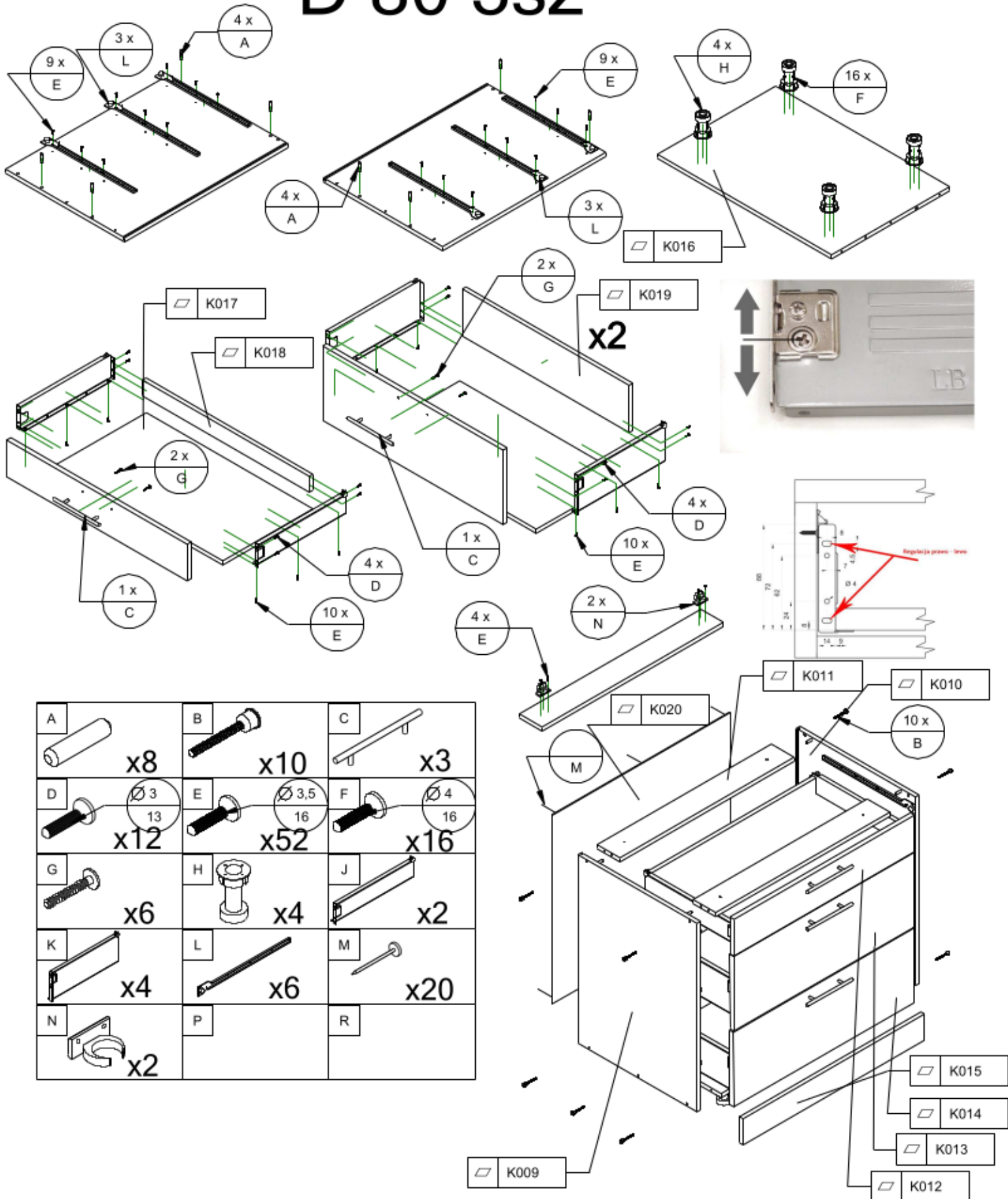
# D 30/40/60 1F



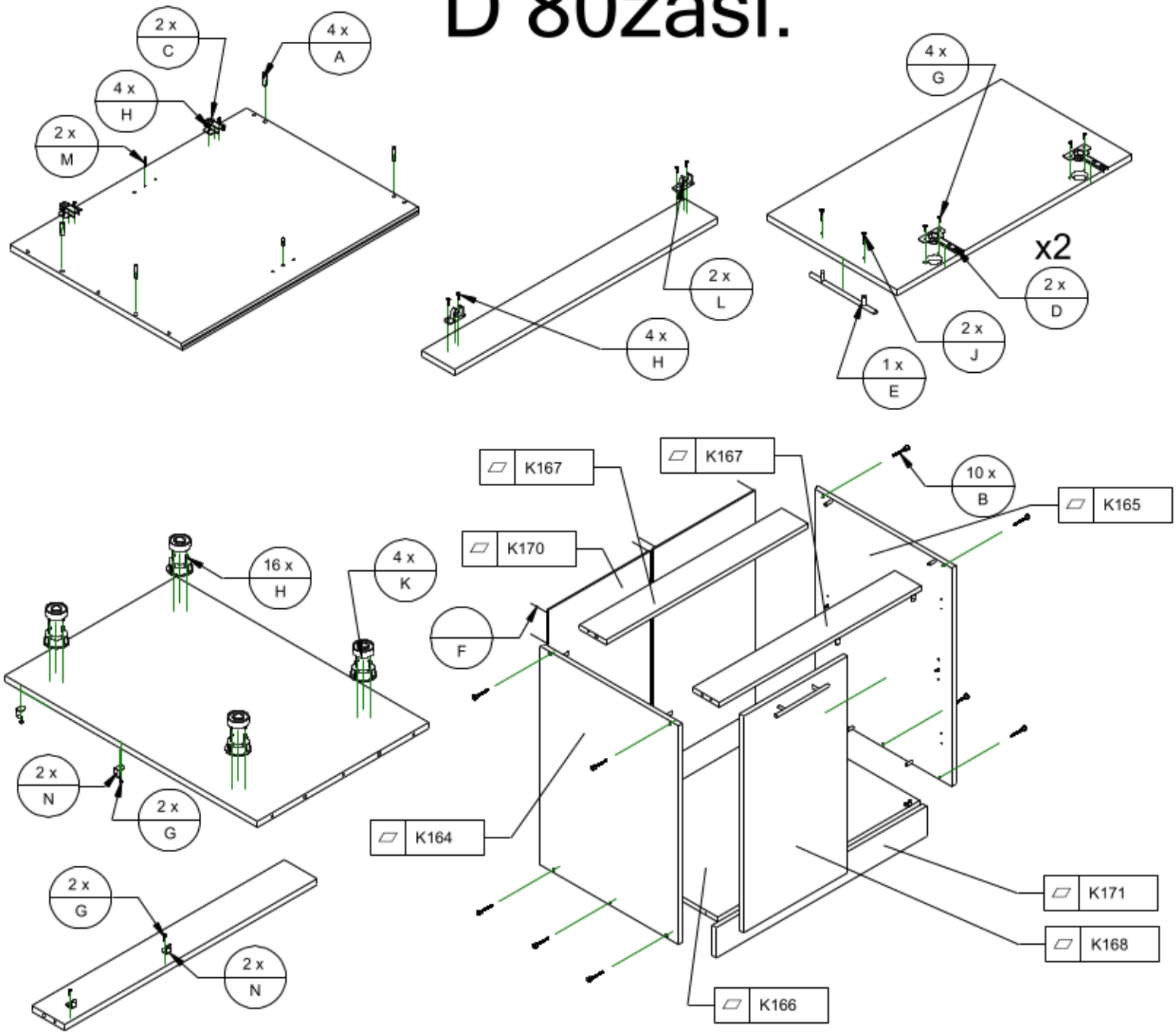
A	B	C
 x8	 x10	 x2
D	E	F
 x2	 x1	 x4
G	H	J
 $\varnothing 3,5$ x8	 $\varnothing 4$ x20	 x2
K	L	M
 x4	 x20	 x2

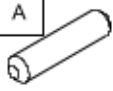


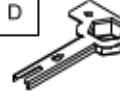
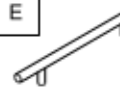

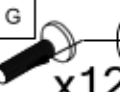




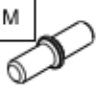



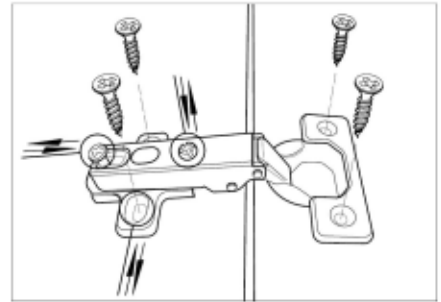
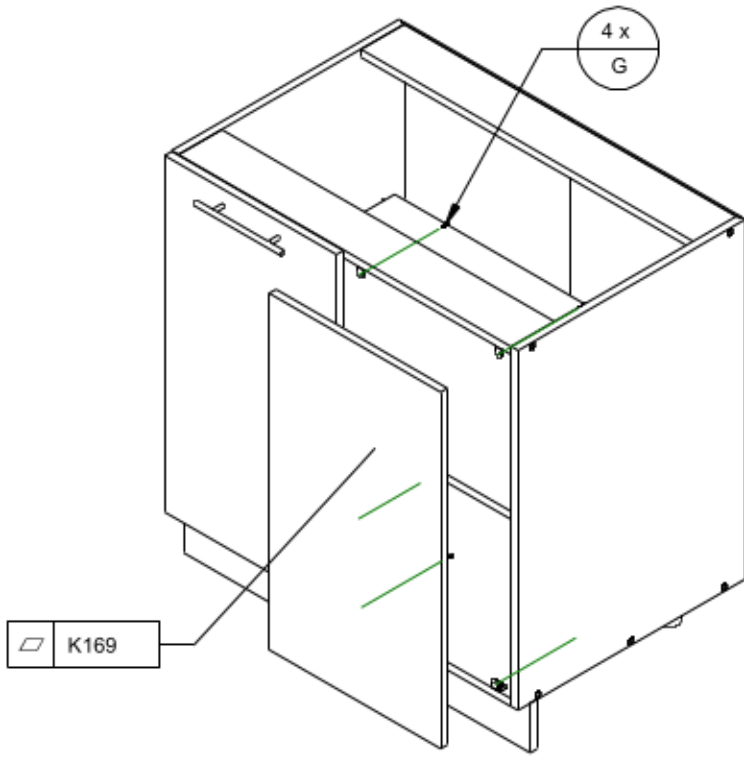
# D 80 3sz



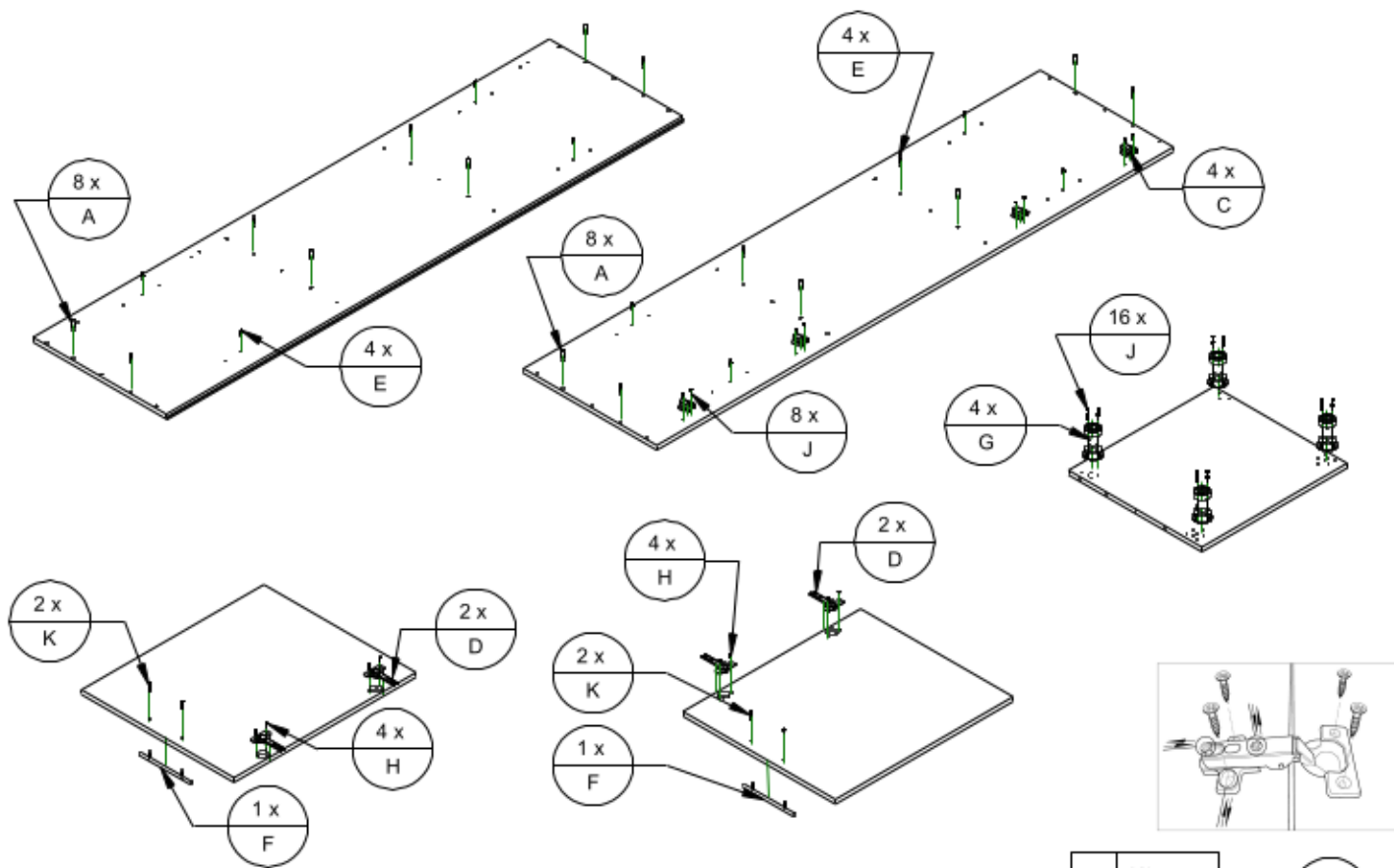
# D 80zaśl.

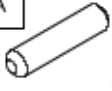

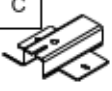
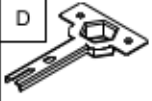
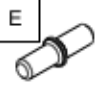
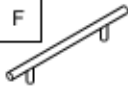

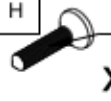
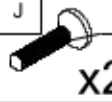




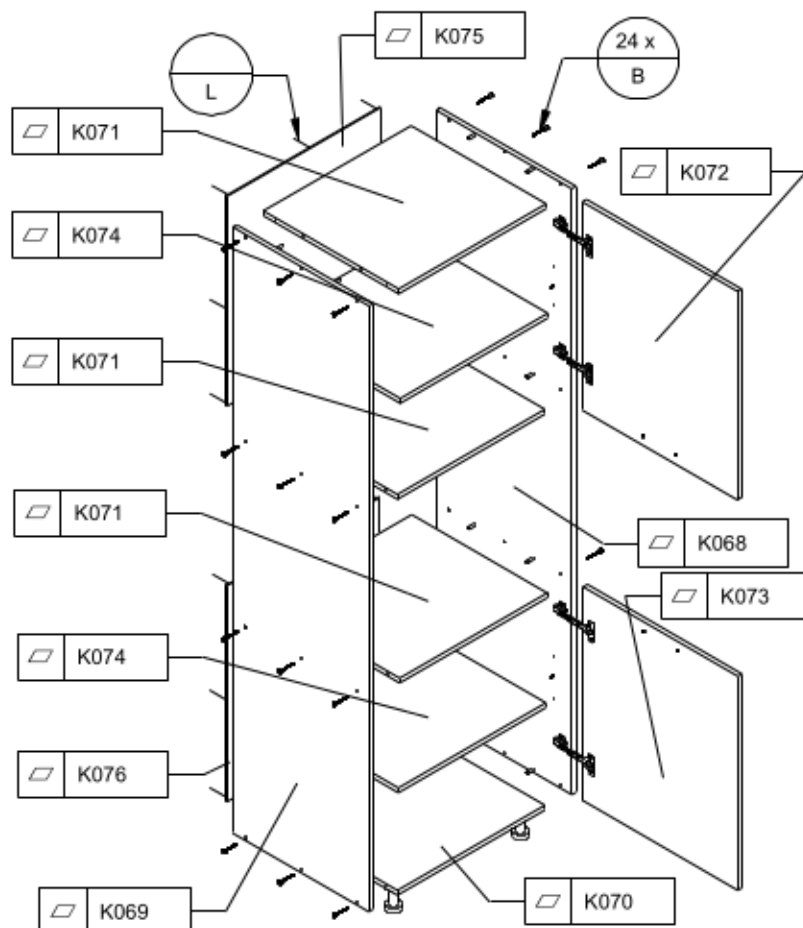
A  x8	B  x10	C  x2	D  x2	E  x1
F  x35	G  x12	H  x24	J  x2	K  x4
L  x2	M  x4	N  x4	P	R



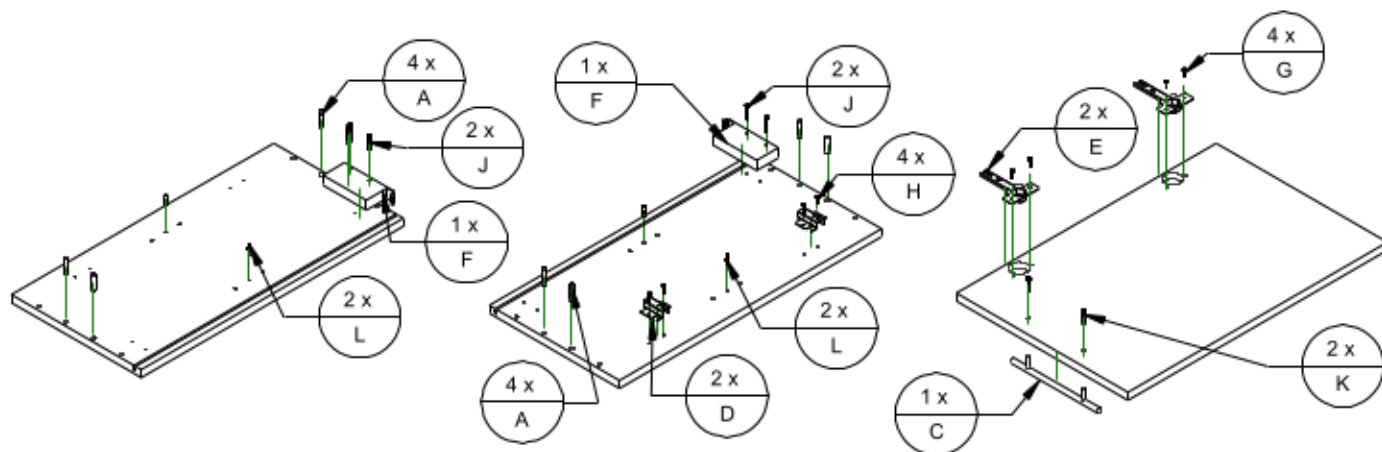
# DK60 - SŁUPEK

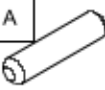
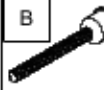



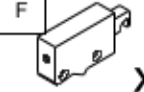
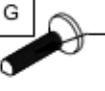
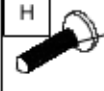


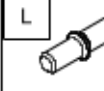


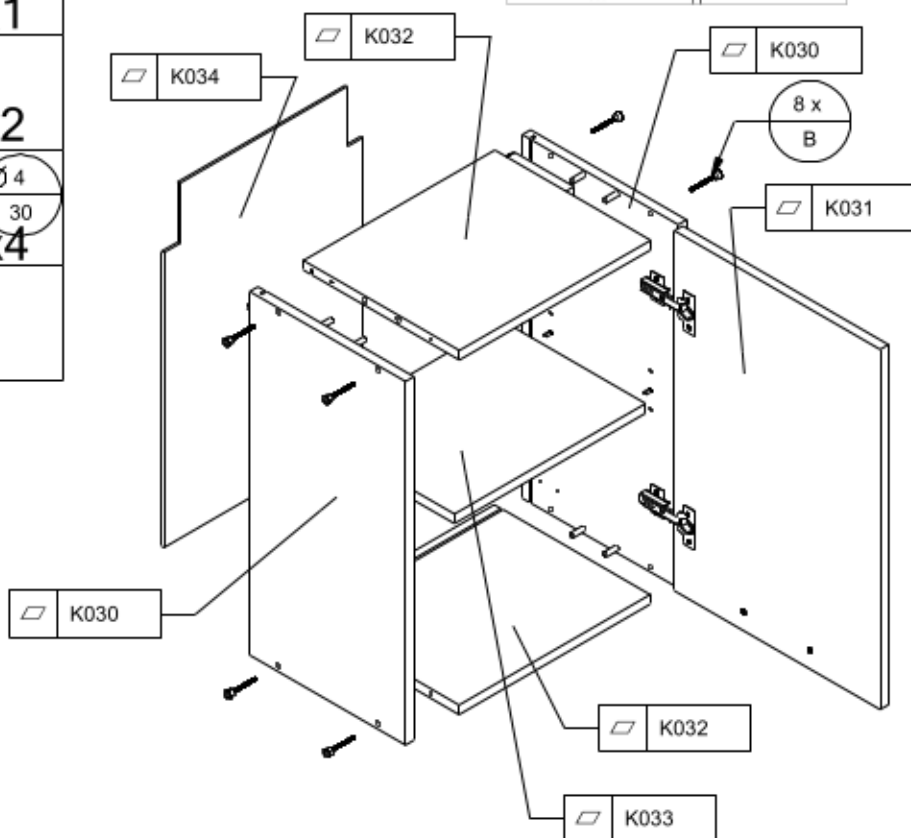
A	B	C
 x16	 x24	 x4
D	E	F
 x4	 x8	 x2
G	H	J
 x4	 x8	 x24
K	L	M
 x4	 x50	



# G30/40/60 1F

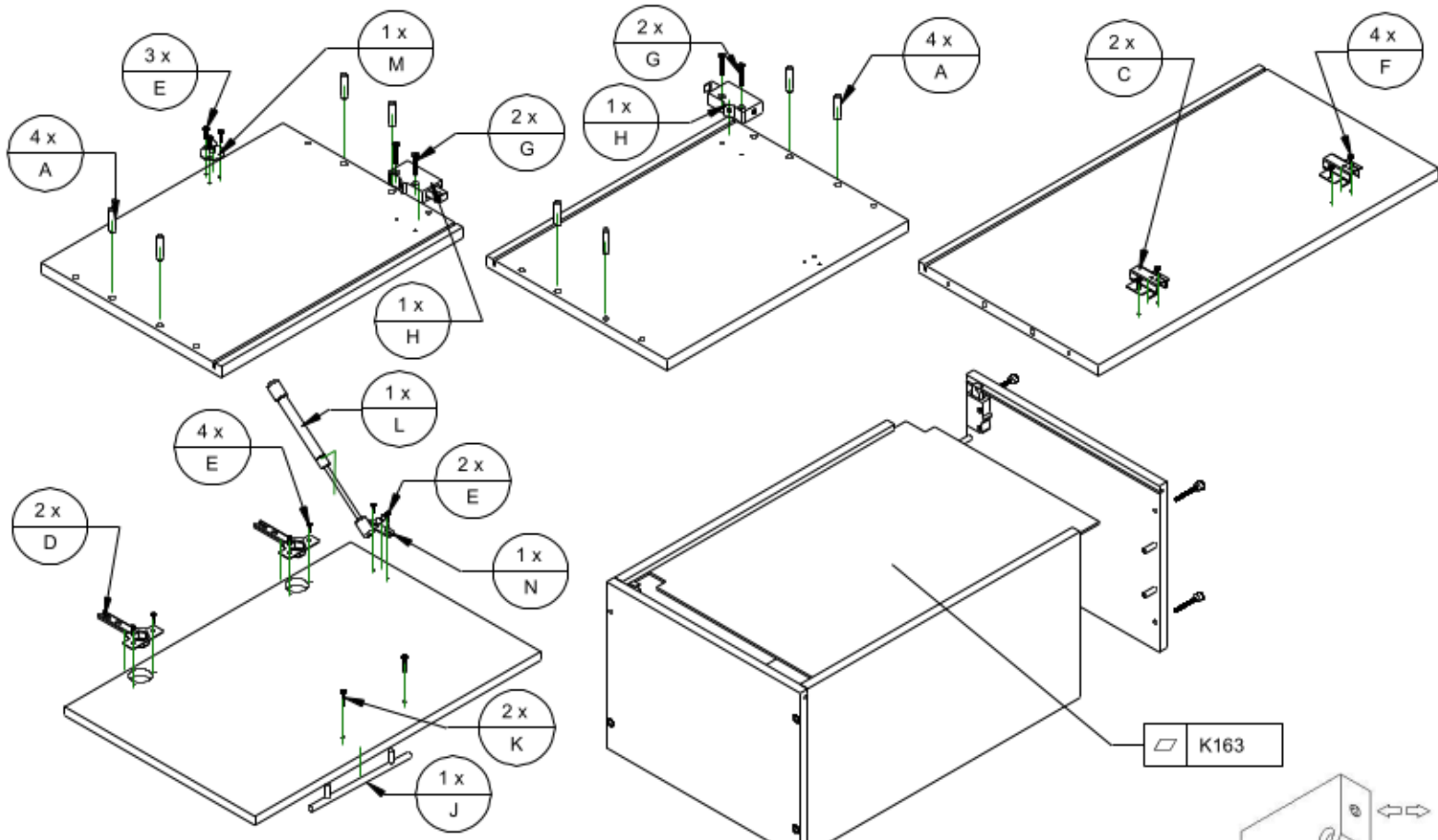






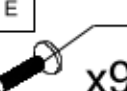

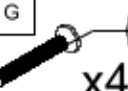
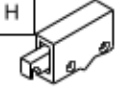
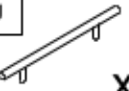




A		x8	B		x8	C		x1
D		x2	E		x2	F		x2
G		$\varnothing 3,5$ 16 x4	H		$\varnothing 4$ 16 x4	J		$\varnothing 4$ 30 x4
K		x2	L		x4	M		





# G50/60 ok



A	 x8	B	 x8	C	 x2
D	 x2	E	 x9	F	 x4
G	 x4	H	 x2	J	 x1
K	 x2	L	 x1	M	 x1
N	 x1	P		R	

