



HIF-1996D+BT

User manual

Bedienungsanleitung

Manuel d'instructions

Manuale d'istruzioni

Manual de instrucciones

Gebruiksaanwijzing

Návod k použití

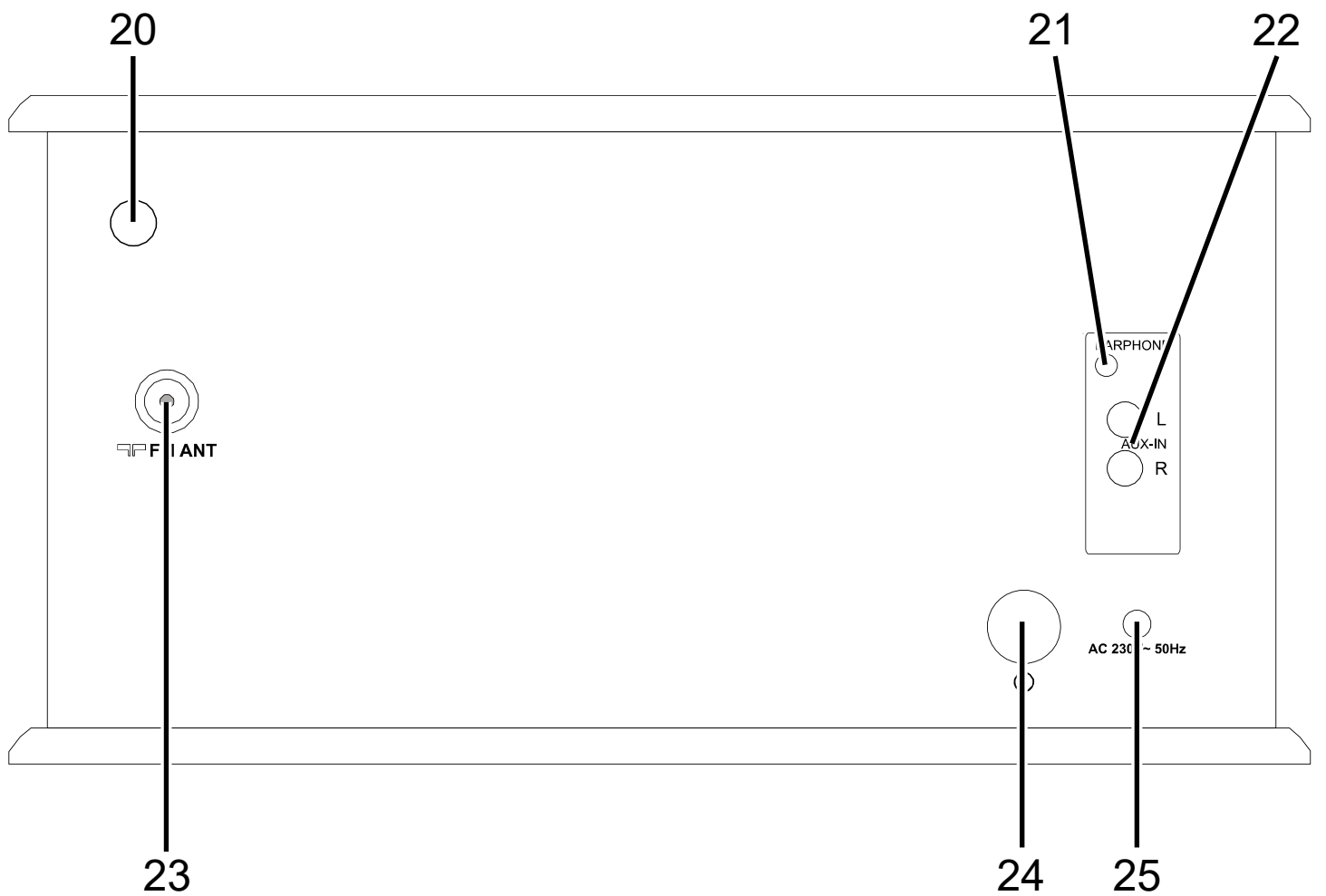
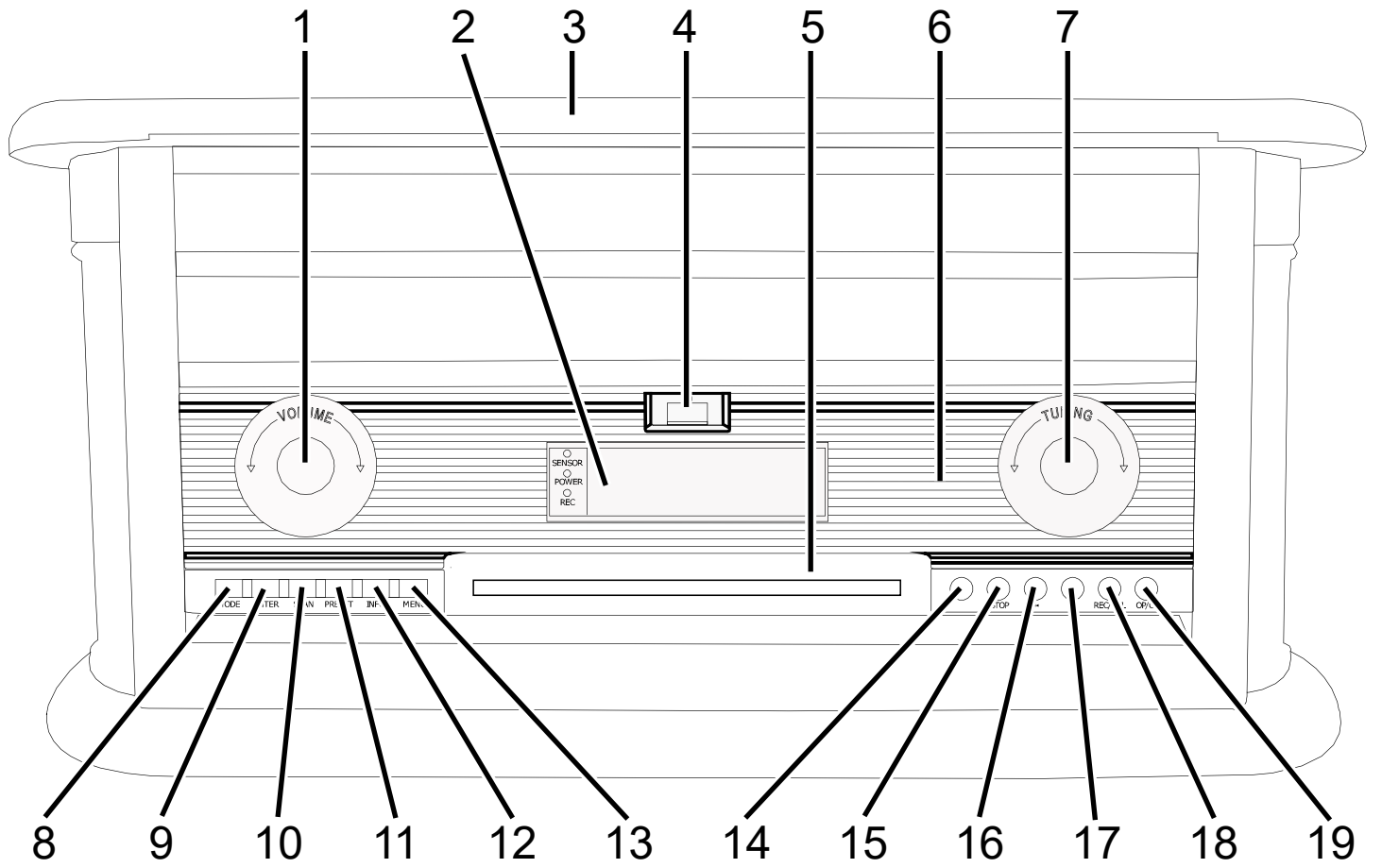
Návod na použitie

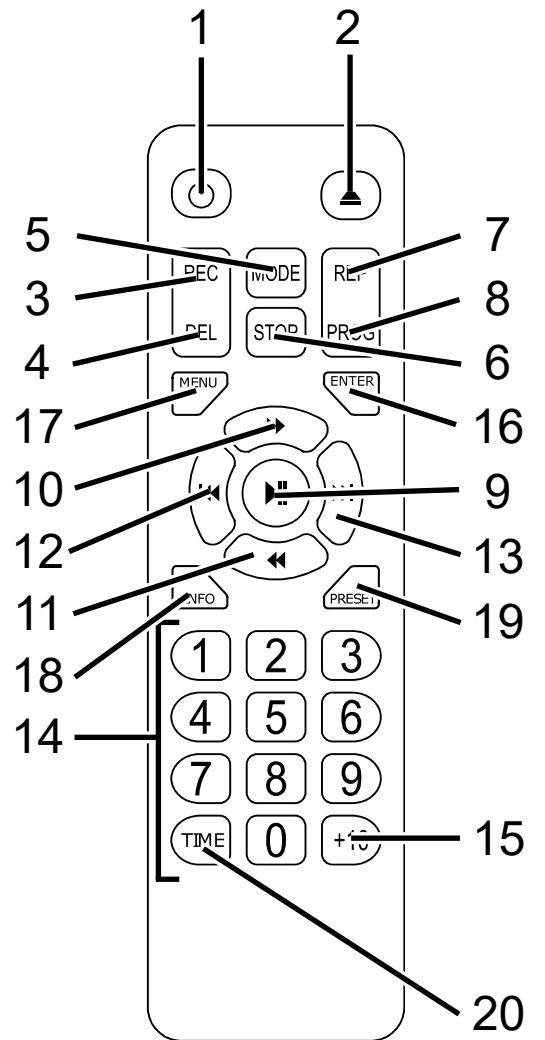
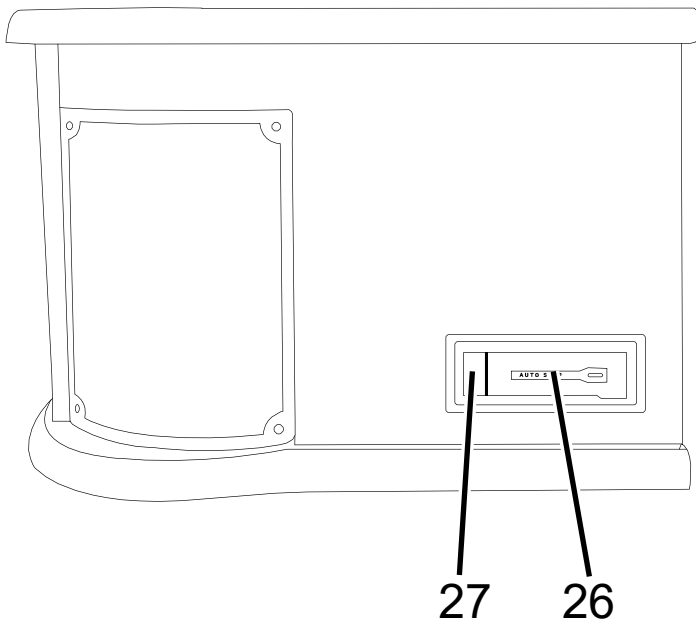
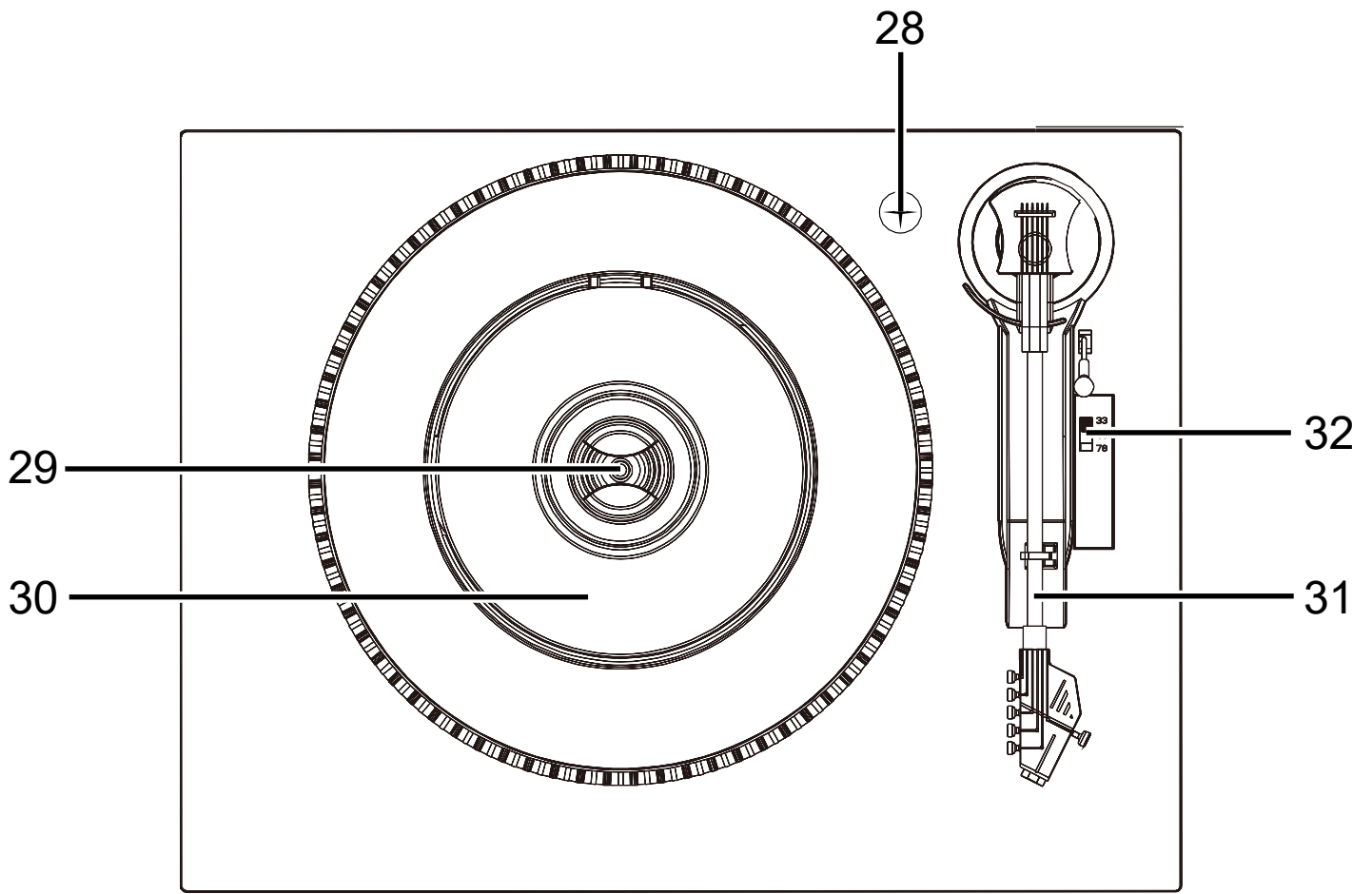


INDEX

English	Page	1
Deutsch	Seite	7
Français	Page	13
Italiano	Pagina	19
Español	Página	25
Nederlands	Pagina	31
Čeština	Strana	37
Slovenský	Strana	43

- Your new unit was manufactured and assembled under strict ROADSTAR quality control. Thank-you for purchasing our product for your music enjoyment. Before operating the unit, please read this instruction manual carefully. Keep it also handy for further future references.
- Ihr neues Gerät wurde unter Beachtung der strengen ROADSTAR Qualitätsvorschriften gefertigt. Wir danken Ihnen für den Kauf unseres Produktes und wünschen Ihnen optimalen Hörgenuss. Bitte lesen Sie diese Bedienungsanleitung durch, und heben Sie sie auf, um jederzeit darin nachschlagen zu können.
- Il vostro nuovo apparecchio è stato prodotto ed assemblato sotto lo stretto controllo di qualità ROADSTAR. Vi ringraziamo di aver acquistato un nostro prodotto per il vostro piacere d'ascolto. Prima di procedere all'utilizzo dell'apparecchio, leggete attentamente il manuale d'istruzioni e tenetelo sempre a portata di mano per futuri riferimenti.
- Seu novo aparelho foi construído e montado sob o estrito controle de qualidade da ROADSTAR. Agradecemos por ter comprado nosso produto para a sua diversão. Antes de usar esta unidade é necessário ler com atenção este manual de instruções para que possa ser usada apropriadamente; mantenha o manual ao seu alcance para outras informações.
- Votre nouvel appareil a été fabriqué et monté en étant soumis aux nombreux tests ROADSTAR. Nous espérons que cet appareil vous donnera entière satisfaction. Avant de vous adonner à ces activités, veuillez lire attentivement ce manuel d'instructions. Conservez-le à portée de main à fin de référence ultérieure.
- Vuestro nuevo sistema ha sido construido según las normas estrictas de control de calidad ROADSTAR. Le felicitamos y le damos las gracias por su elección de este aparato. Por favor leer el manual antes de poner en funcionamiento el equipo y guardar esta documentación en case de que se necesite nuevamente.





LOCATION OF CONTROLS

1. VOLUME KNOB
2. LCD DISPLAY
3. DUST COVER
4. USB SOCKET
5. CD DOOR
6. DIAL SCALE
7. TUNING KNOB
8. MODE
9. ENTER
10. SCAN
11. PRESET
12. INFO
13. MENU
14. PLAY/PAUSE BUTTON
15. STOP BUTTON
16. SKIP- BUTTON
17. SKIP+ BUTTON
18. RECORD BUTTON
19. CD DOOR OPEN/CLOSE BUTTON
20. SERVICE HOLE
21. EARPHONE OUTPUT
22. AUXILIARY INPUT
23. FM ANTENNA
24. ON/OFF SWITCH
25. AC CORD
26. CASSETTE MECHANISM
27. FFD/EJ
28. TRANSIT SCREW
29. SPINDLE ADAPTOR
30. TURNTABLE
31. TONE ARM
32. 33/45/78 RPM SPEED SELECTOR

REMOTE CONTROL

1. POWER ON/OFF
2. CD DOOR OPEN/CLOSE BUTTON
3. RECORD BUTTON
4. DELETE BUTTON
5. MODE BUTTON
6. STOP BUTTON
7. REPEAT BUTTON
8. PROGRAM BUTTON
9. PLAY/PAUSE BUTTON
10. FAST FORWARD BUTTON
11. REWIND BUTTON
12. SKIP- BUTTON
13. SKIP+ BUTTON
14. NUMERIC KEYBOARD
15. +10
16. ENTER
17. MENU

- 18. INFO
- 19. PRESET
- 20. TIMER

Press (5) on remote repeatedly to select DAB / FM / BT / CD / USB / AUX / PHONO / TAPE mode.

POWER SUPPLY

This unit operates from a main supply of 230V ~ 50Hz. Connect the AC power cord to the AC household main outlet. Ensure that the voltage is as indicated on the rating plate on the rear of the unit.

Connect the unit to the power supply. Switch ON/OFF SWITCH (24) to ON position to turn the unit ON. Switch ON/OFF SWITCH (24) to OFF position to switch the unit OFF.

This unit has two working modes:

STANDBY MODE: The display shows the current time and the speakers and backlight are off.

PLAYBACK MODE: The blue backlight is on and you can listen to music.

When no sound is produced, the unit will switch to STANDBY MODE automatically after 15 minutes.

To switch between PLAYBACK MODE and STANDBY MODE, press and hold PLAY/PAUSE (14) or press ON/OFF (1) on remote control.

SETTING THE CORRECT TIME

In STANDBY mode:

1. Press and hold STOP (15) (6 on remote). 12/24 digits will flash on the display. Press SKIP+/- (16/17) (12/13 on remote) repeatedly to set the correct hour. Press STOP (15) (6 on remote) again to confirm.
2. The hour digits will flash on the display. Press SKIP+/- (16/17) (12/13 on remote) repeatedly to set the correct hour. Press STOP (15) (6 on remote) again to confirm.
3. The minute digits will flash on the display. Press SKIP+/- (16/17) (12/13 on remote) repeatedly to set the correct minute. Press STOP (15) (6 on remote) again to confirm.
4. The year digits will flash on the display. Press SKIP+/- (16/17) (12/13 on remote) repeatedly to set the correct year. Press STOP (15) (6 on remote) again to confirm.
5. The month digits will flash on the display. Press SKIP+/- (16/17) (12/13 on remote) repeatedly to set the correct month. Press STOP (15) (6 on remote) again to confirm.
6. The day digits will flash on the display. Press SKIP+/- (16/17) (12/13 on remote) repeatedly to set the correct day. Press STOP (15) (6 on remote) again to confirm.

SETTING THE ALARM

In STANDBY mode:

1. Press and hold TIMER (20 on remote). The hour digits will flash on the display. Press SKIP+/- (16/17) (12/13 on remote) repeatedly to set the correct hour. Press TIMER (20 on remote) again to confirm.
2. The minute digits will flash on the display. Press SKIP+/- (16/17) (12/13 on remote) repeatedly to set the correct minute. Press TIMER (20 on remote) again to confirm.
3. Press SKIP+/- (16/17) (12/13 on remote) repeatedly to choose the alarm mode: DAB/FM/CD/USB/TAPE. Press TIMER (20 on remote) again to confirm.
4. Press TIMER (20 on remote) to activate the alarm. The alarm icon will appear on display. Once the alarm hour is reached the unit will start playing in the chosen mode.
5. Press TIMER (20 on remote) in standby mode to deactivate the alarm. The alarm icon will disappear from the display.

SLEEP

1. This function enables you to go to sleep listening to the Radio.
2. While listening to music, press TIMER (20 on remote) repeatedly to select between OFF/15/30/45/60/75/90.
3. The Radio turns on and will turn off automatically after the selected sleep timer.

NAVIGATE THE MENU

In FM/DAB mode there is an option menu.

1. Press MENU (13) (17 on remote) to access to the options.
2. Press SKIP+/- (16/17) (12/13 on remote) to search the options.
3. Press ENTER (9) (16 on remote) to select the options.
4. Press MENU (13) (17 on remote) to exit the menu.

SYSTEM SETTINGS

In FM/DAB mode, press MENU (13) (17 on remote) and select SYSTEM:

- Language: select this option to change the system language.
- Factory Reset: select this option to reset the device to factory settings.
- Software Upgrade: select this option if a new software version is released.
- SW version: select this option to see the current software version.

DAB MODE

Press MODE (8) (5 on remote) repeatedly to select DAB mode.

Press SKIP+/- (16/17) (12/13 on remote) to search the program.

DAB MENU

Press MENU (13) (17 on remote) to access to the options.

- Full Scan: select this option to perform a full scan of the available DAB programs. You can press SCAN (10) to perform the same action.
- Manual Tune: select this option to select manually the DAB frequency.
- DRC: select this option to choose between DRC low, DRC high and DRC off.
- Prune: select this option to choose between PRUNE stations on or off.

DAB PRESET

You can program a maximum of 20 preset radio stations.

- Press and hold PRESET (11) (19 on remote). PRESET STORE will appear on display. Press SKIP+/- (16/17) (12/13 on remote) to select the preset number. Press ENTER (9) (16 on remote) to confirm.
- Press PRESET (11) (19 on remote) to navigate through the presets.

DAB INFO

Repeatedly press INFO (12) (18 on remote) to see the following informations: NAME / KBPS / DATE / TIME.

FM MODE

Press MODE (8) (5 on remote) repeatedly to select FM mode.

Turn the TUNING KNOB (7) to manually select the frequency.

FM MENU

Press MENU (13) (17 on remote) to access to the options.

- Scan Setting: select this option to choose between scanning all stations or only the strong stations.
- Audio Setting: select this option to choose between forcing mono audio or allowing stereo sound.

FM PRESET

See DAB PRESET instructions.

FM INFO

Repeatedly press INFO (12) (18 on remote) to see the following informations: KIND OF PROGRAM / FREQUENCY / AUDIO / DATE / TIME.

LISTENING TO TAPE

1. Press MODE (8) (5 on remote) repeatedly to select TAPE mode.
2. Load a cassette tape into the unit. The system will start playback automatically after inserting the cassette tape.
3. Press FFD/EJ (27) half inwards during playback mode. The tape will wind forward. Slightly press FFD/EJ (27) again to resume playback.
4. Press FFD/EJ (27) completely inwards and the cassette tape will be ejected through the CASSETTE MECHANISM (26).

PLAYING COMPACT DISC

1. Press MODE (8) (5 on remote) repeatedly to select CD mode.
 2. Press CD DOOR OPEN/CLOSE BUTTON (19) (2 on remote) to open the cd door. Place a cd with the printed side facing up inside the tray, then close the cd door. The first track will start playback.
- Press SKIP -/+ (16/17) (12/13 on remote) to select your favorite tunes. If you hold SKIP -/+ (16/17) (10/11 on remote), the playing track will go fast backward or forward until you release the button.
 - Press PLAY/PAUSE (14) (9 on remote) to pause the playback. The track number will start blinking. Press PLAY/PAUSE (14) (9 on remote) again to resume the playback.
 - Press STOP (15) (6 on remote) to stop the playback.

REPEAT MODE

During playback, repeatedly press (7) on remote on the remote control to select:

- Repeat1: The current track is played repeatedly.
- RepeatFolder: The current folder is played repeatedly.
- RepeatAll: All tracks are played repeatedly.

CD PROGRAMMING

You can program up to 99 tracks to play in any desired order.

1. Insert a disc and press STOP (15) (6 on remote) when it starts playing.
2. Press (8) on remote. "P01" will be shown on the display.
3. Press SKIP -/+ (16/17) (12/13 on remote) to select your favorite tunes.
4. Press (8) on remote to store the track in the program memory. "P02" will be shown on the display.
5. Repeat steps 3-4 to select and store all desired tracks.
6. Press PLAY/PAUSE (14) (9 on remote) to start program play.
7. Press STOP (15) (6 on remote) once to stop the program play. Press STOP (15) (6 on remote) twice to clear programme.

LISTENING TO RECORDS

VERY IMPORTANT!

To prevent damages from transportation, a transit screw is located at the upper right side of the turntable platform. Before start playing, use a screwdriver and turn the transit screw in clockwise direction (screw going down) completely. In case of transportation, remember to clock again this screw in counter-clockwise direction to prevent damages.

1. Press MODE (8) (5 on remote) repeatedly to select PHONO mode.
2. Open the Record Player Cover. Release the Tonearm Clamp, and remove the stylus protector. Place a record on the turntable, over the central spindle. Place the EP adapter over the central spindle when playing 17cm EP records.
3. Set 33/45/78 RPM SPEED SELECTOR (32) to 33 / 45 / 78 rpm according to the record.
4. Lift the Tonearm with the Tonearm Lift Lever. Move the tonearm to the beginning of the record, or to the start of a particular track. Gently lower the tone arm onto the record with the Tonearm Lift lever to start playing.
5. When the record is finished the tonearm will automatically stop and return automatically to the rest. To stop manually, lift the tonearm from the record and return it to the rest.
6. Moving or jarring the turntable without securing the Tonearm clamp could result in damage to the Tonearm. Replace the protective cap on the stylus when not in use.

AUX-IN

This unit provides an auxiliary audio input jack for connecting external audio device like MP3 players, CD players and allow playback of your external source through the system speakers.

1. Use an audio cable (not included) with a RCA stereo plugs on one end of the cable. Plug one end into the AUX-IN jack on the main unit and plug the other end of the cable into the LINE OUT or HEADPHONE Jack of your external audio device.
2. Turn ON the unit and your external audio device. Press MODE (8) (5 on remote) repeatedly to select CD mode.
3. Start to play the external device (see the user manual of the external device).

BLUETOOTH OPERATION

1. Press BT (9) to select BLUETOOTH function. "BT" will be shown on the display.
2. Select from your portable device (Smartphone, Tablet...) the ID Bluetooth tagged as HIF-1996D+BT, then confirm connection.
3. When the pairing is successful the LED will stop blinking.
4. Now you can transfer the music to the HIF-1996D+BT and all operations can only be operated from your mobile device.

PLAYBACK FROM USB

1. Insert the USB device's plug into the USB socket.
2. Press MODE (8) (5 on remote) repeatedly to select USB mode.
3. The unit will start reading the device automatically after the connection.
4. Use the same procedure as CD to listen to your USB device.

DELETE USB

1. During playback, press and hold REC (18) (4 on remote). "DEL" will be shown on the display.
2. Press SKIP +/- (16/17) (12/13 on remote) repeatedly to select between ONE/FOLDER/ALL.
3. Press REC (18) (4 on remote) again to confirm.

RECORDING FUNCTION

1. While listening to PHONO/TAPE/BLUETOOTH/AUX-IN/DAB, press REC (18) (4 on remote). "REC" will be shown on the display. The REC indicator will light up. Encoding is performing now. Note that the encoding speed is 1:1.
2. Press STOP (15) (6 on remote) to stop recording.
3. The unit will create a folder in the USB device, that contain all recorded tracks.

CD

1. Press REC (18) (3 on remote).
2. Press SKIP +/- (16/17) (12/13 on remote) repeatedly to select between ONE/FOLDER/ALL.
3. Press REC (18) (3 on remote) once more to start recording.

SPECIFICATIONS

AC:	230V ~ 50Hz
FM:	87.5 - 108 MHz
DAB:	Band III

Specifications and the design are subject to possible modifications without notice due to improvement.

WARNINGS



The exclamation point within the triangle is a warning sign alerting the user of important instructions accompanying the product.



The lightening flash with arrowhead symbol within the triangle is a warning sign alerting the user of "dangerous voltage" inside the unit.



To reduce the risk of electric shock, do not remove the cover. No user serviceable parts inside the unit. Refer all servicing to qualified personnel.

230v~



This unit operates on 230V ~ 50Hz. If the unit is not used for a long period of time, remove the plug from the AC mains.



Ensure all connections are properly made before operating the unit.



This unit must not be exposed to moisture or rain.



This unit should be positioned so that it is properly ventilated. Avoid placing it, for example, close to curtains, on the carpet or in a built-in installation such as a bookcase.

Do not expose this unit to direct sunlight or heat radiating sources.

CORRECT DISPOSAL OF THIS PRODUCT (Waste Electrical & Electronic Equipment)



This marking shown on the product or its literature, indicates that it should not be disposed with other household wastes at the end of its working life. To prevent possible harm to the environment or human health from uncontrolled waste disposal, please separate this from other types of wastes and recycle it responsibly to promote the sustainable reuse of material resources. Household users should contact the retailer where they purchased this product, or their local government office, for details of where and how they can take this item for environmentally safe recycling. Business users should contact their supplier and check the terms and conditions of the purchase contract. This product should not be mixed with other commercial wastes for disposal.

LAGE DER BEDIENELEMENTE

1. LAUTSTÄRKEREGLER
2. LCD-DISPLAY
3. STAUBSCHUTZ
4. USB-EINGANG
5. CD-FACH
6. SKALENSCHEIBE
7. TUNING-KNOPF
8. MODE
9. ENTER
10. SCAN
11. PRESET
12. INFO
13. MENU
14. PLAY/PAUSE-TASTE
15. STOP-TASTE
16. SKIP -
17. SKIP+
18. AUFNAHMETASTE
19. TASTE ZUM ÖFFNEN/SCHLIESSEN DES CD-FACHS
20. SERVICE LOCH
21. KOPFHÖRER-AUSGANG
22. ZUSATZEINGANG
23. FM-ANTENNE
24. AN/AUS-TASTE
25. NETZKABEL
26. KASSETTENMECHANISMUS
27. FFD/EJ
28. TRANSIT SCREW
29. ACHSADAPTER
30. PLATTENSPIELER
31. TONE ARM
32. 33/45/78 RPM DREHZAHLWÄHLER

FERNBEDIENUNG

1. STROM AN/AUS
2. TASTE ZUM ÖFFNEN/SCHLIESSEN DES CD-FACHS
3. AUFNAHMETASTE
4. LÖSCHEN-TASTE
5. MODUS-TASTE
6. STOP-TASTE
7. WIEDERHOLEN-TASTE
8. PROGRAMM-TASTE
9. PLAY/PAUSE-TASTE
10. FFD-TASTE
11. RÜCKSPULTASTE
12. SKIP-
13. SKIP+
14. NUMERISCHE TASTATUR
15. +10
16. ENTER
17. MENU
18. INFO
19. PRESET
20. TIMER

Drücken Sie die Taste (5) fernbedienung erneut, um den DAB / FM / BT / CD / USB / AUX / PHONO / TAPE-Modus auszuwählen.

ENERGIEVERSORGUNG

Dieses Gerät arbeitet mit einer Hauptversorgung von 230V ~ 50Hz. Schließen Sie das Netzkabel an den Haushalt AC Steckdose. Stellen Sie sicher, dass die Spannung auf dem Typenschild auf der Rückseite des Geräts, wie angegeben ist.

Schließen Sie das Gerät an die Stromversorgung. Schalter AN/AUS-TASTE (24) auf ON um das Gerät einzuschalten. Schalter AN/AUS-TASTE (24) auf OFF das Gerät auszuschalten.

Dieses Gerät verfügt über zwei Betriebsarten:

Standby-Modus: Das Display zeigt die aktuelle Uhrzeit an, die Lautsprecher und die Hintergrundbeleuchtung sind ausgeschaltet.

Wiedergabemodus: Die blaue Hintergrundbeleuchtung ist eingeschaltet und Sie können Musik hören. Wenn kein Ton erzeugt wird, schaltet das Gerät automatisch nach 15 Minuten in den Standby-Modus. Um zwischen PLAYBACK MODE und STANDBY MODE zu wechseln, halten Sie PLAY/PAUSE (14) gedrückt und drücken Sie ON/OFF (1) auf der Fernbedienung.

EINSTELLEN DER RICHTIGEN UHRZEIT

Im Standby-Modus:

1. Drücken und halten Sie die STOP (15) (6 fernbedienung). 24.12 Ziffern auf dem Display blinken. Drücken Sie die Taste SKIP+/- (16/17) (12/13 fernbedienung) wiederholt, um die richtige Stunde einzustellen. Drücken Sie die STOP (15) (6 fernbedienung) erneut, um zu bestätigen.
2. Die Stundenanzeige auf dem Display blinkt. Drücken Sie die Taste SKIP+/- (16/17) (12/13 fernbedienung) wiederholt, um die richtige Stunde einzustellen. Drücken Sie die STOP (15) (6 fernbedienung) erneut, um zu bestätigen.
3. Die Minutenanzeige auf dem Display beginnt zu blinken. Drücken Sie die Taste SKIP+/- (16/17) (12/13 fernbedienung) wiederholt um die richtige Minute einzustellen. Drücken Sie die STOP (15) (6 fernbedienung) erneut, um zu bestätigen.
4. Die Jahrenzeige auf dem Display beginnt zu blinken. Drücken Sie die Taste SKIP+/- (16/17) (12/13 fernbedienung) wiederholt um die richtige Jahr einzustellen. Drücken Sie die STOP (15) (6 fernbedienung) erneut, um zu bestätigen.
5. Die Monatanzeige auf dem Display beginnt zu blinken. Drücken Sie die Taste SKIP+/- (16/17) (12/13 fernbedienung) wiederholt um die richtige Monat einzustellen. Drücken Sie die STOP (15) (6 fernbedienung) erneut, um zu bestätigen.
6. Die Taganzeige auf dem Display beginnt zu blinken. Drücken Sie die Taste SKIP+/- (16/17) (12/13 fernbedienung) wiederholt um die richtige Tag einzustellen. Drücken Sie die STOP (15) (6 fernbedienung) erneut, um zu bestätigen.

EINSTELLUNG DES ALARMS

Im Standby-Modus:

1. Drücken und halten Sie die TIMER (20 fernbedienung). Die Stundenanzeige auf dem Display blinkt. Drücken Sie die Taste SKIP+/- (16/17) (12/13 fernbedienung) wiederholt, um die richtige Stunde einzustellen. Drücken Sie die TIMER (20 fernbedienung) erneut, um zu bestätigen.
2. Die Minutenanzeige auf dem Display beginnt zu blinken. Drücken Sie die Taste SKIP+/- (16/17) (12/13 fernbedienung) wiederholt um die richtige Minute einzustellen. Drücken Sie die TIMER (20 fernbedienung) erneut, um zu bestätigen.
3. Drücken Sie wiederholt SKIP+/- (16/17) (12/13 fernbedienung), um den Alarmmodus auszuwählen: DAB / FM / CD / USB / TAPE. Drücken Sie die TIMER (20 fernbedienung) erneut, um zu bestätigen.
4. Drücken Sie TIMER (20 fernbedienung), um den Alarm zu aktivieren. Das Alarmsymbol erscheint auf dem Display. Sobald die Alarmstunde erreicht ist, beginnt das Gerät im gewählten Modus zu spielen.
5. Drücken Sie TIMER (20 fernbedienung) im Standby-Modus, um den Alarm zu deaktivieren. Das Alarmsymbol verschwindet aus dem Display.

SLEEP

1. Mit dieser Funktion können Sie Radio hören, schlafen zu gehen.
2. Während Sie Musik hören, drücken Sie die Tasten TIMER (20 fernbedienung) wiederholt, um zwischen OFF/15/30/45/60/75/90A zu wählen.
3. Das Radio schaltet sich ein und wird sich automatisch nach dem ausgewählten Sleep-Timer auszuschalten.

NAVIGATION VON MENU

Im FM/DAB-Modus gibt es ein Menu von Optionen:

1. Drücken Sie die Taste MENU (13) (17 auf der Fernbedienung) das Menu einzuloggen.
2. Drücken Sie die Taste SKIP +/- (16/17) (12/13 auf der Fernbedienung) unter die Optionen zu blättern.
3. Drücken Sie die Taste ENTER (9) (16 auf der Fernbedienung) eine Option auszuwählen.
4. Drücken Sie noch die Taste MENU (13) (17 auf der Fernbedienung) das Menu zu verlassen.

EINSTELLUNGEN

Im FM/DAB-Modus, drücken Sie die Taste MENU (13) (17 auf der Fernbedienung) und auswählen Sie die Taste SYSTEM:

- Language: auswählen Sie diese Option die Sprache des Systems zu wechseln.
- Factory reset: auswählen Sie diese Option die Vorrichtung auf die Werkseinstellungen rückzusetzen.
- Software Upgrade: auswählen Sie diese Option die neue Software zu installieren.
- SW version: auswählen Sie diese Option die aktuelle Ausführung der Software zu visualisieren.

DAB-MODUS

Drücken Sie mehrmals die Taste MODE (8) (5 auf der Fernbedienung) die DAB-Modus auszuwählen. Drücken Sie die Taste SKIP +/- (16/17) (12/13 auf der Fernbedienung) ein Programm auszuwählen.

DAB MENU

Drücken Sie die Taste MENU (13) (17 auf der Fernbedienung) die folgenden Optionen einzuloggen.

- Full Scan: auswählen Sie diese Option eine vollständige Abtastung der DAB Programme zur Verfügung anzuleiten. Sie können auch die Taste SCAN (10) drücken, die gleiche Aktion auszuführen.
- Manual Tune: auswählen Sie diese Option die Frequenz manuell auszuwählen.
- DRC: auswählen Sie diese Option unter die DRC Optionen zu wählen.
- Prune: auswählen Sie diese Option zu wählen wenn die PRUNE Stationen in Betrieb setzen oder nicht.

PRESET

Sie können auf maximal 20 voreingestellten Stationen aufs Programm setzen. Drücken Sie die Taste PRESET (11) (19 auf der Fernbedienung). PRESET STORE wird auf dem Bildschirm erscheinen. Drücken Sie die Taste SKIP +/- (16/17) (12/13 auf der Fernbedienung) die Vorwahlnummer auszuwählen. Drücken Sie die Taste ENTER (9) (16 auf der Fernbedienung) zu bestätigen. Drücken Sie die Taste PRESET (11) (19 auf der Fernbedienung) durch die vorher ausgewählten Stationen zu surfen.

DAB INFO

Drücken Sie mehrmals die Taste INFO (12) (18 auf der Fernbedienung) die folgenden Informationen zu visualisieren: NAME DES PROGRAMMS / KBPS / DATE / TIME.

FM-MODUS

Drücken Sie mehrmals die Taste MODE (8) (5 auf der Fernbedienung) die FM-Modus auszuwählen. Drehen Sie den FREQUENZREGLER (7) die Frequenz manuell auszuwählen.

FM MENU

Drücken Sie die Taste MENU (13) (17 auf der Fernbedienung) die folgenden Optionen einzuloggen.

- Scan Setting: auswählen Sie diese Option zu wählen wenn nur die stärksten Stationen (strong stations) oder allen Stationen (all stations) können gewählt werden
- Audio Setting: auswählen Sie diese Option zu wählen wenn nur die MONO Taste (forced mono) kann verwendet werden oder die Verwendung von STEREO zu ermöglichen.

PRESET

Sehen Sie die Anweisungen für DAB PRESET.

FM INFO

Drücken Sie mehrmals die Taste INFO (12) (18 auf der Fernbedienung) die folgenden Informationen zu visualisieren: TYPOLOGIE DES PROGRAMMS / FREQUENZ / AUDIO / DATE / TIME.

ANHÖREN VON KASSETTEN

1. Drücken Sie die Taste MODE (8) (5 fernbedienung) erneut, um den TAPE-Modus auszuwählen.
2. Legen Sie eine Kassette in das Gerät. Das System startet die Wiedergabe automatisch nach dem Einlegen der Kassette.
3. Drücken Sie die FFD/EJ (27)-Taste im Wiedergabemodus zur Hälfte ein. Die Kassette wird dann vorgespult. Drücken Sie die FFD/EJ (27)-Taste erneut leicht an, um die Wiedergabe fortzusetzen.
4. Drücken Sie die FFD/EJ (27)-Taste vollständig ein, um die Kassette durch das KASSETTENMECHANISMUS (26) auszuwerfen.

ABSPIELEN VON CDS

1. Drücken Sie die Taste MODE (8) (5 fernbedienung) erneut, um den CD-Modus auszuwählen.
2. Drücken TASTE ZUM ÖFFNEN/SCHLIESSEN DES CD-FACHS (19) (2 fernbedienung), um das CD-Fach zu öffnen. Legen Sie eine CD mit der bedruckten Seite nach oben in das Fach und schließen Sie es dann. Die Wiedergabe des ersten Titels beginnt.
- Drücken Sie SKIP -/+ (16/17) (12/13 fernbedienung), um Ihre Lieblingstitel auszuwählen. Wenn Sie SKIP -/+ (16/17) (10/11 fernbedienung) halten, wird der momentan abgespielte Titel schnell vorwärts oder rückwärts laufen, bis Sie die Taste loslassen.
- Drücken PLAY/PAUSE (14) (9 fernbedienung) um die Wiedergabe zu pausieren. Die Titelnummer beginnt zu blinken. Drücken die PLAY/PAUSE (14) (9 fernbedienung) Wiedergabe fortzusetzen wieder.
- Drücken Sie STOP (15) (6 fernbedienung), um die Wiedergabe zu stoppen.

WIEDERHOLEN MODUS

Drücken Sie während der Wiedergabe wiederholt (7) fernbedienung, um Folgendes auszuwählen:

- Repeat1: Der aktuelle Titel wird wiederholt abgespielt.
- RepeatFolder: Der aktuelle Ordner wird wiederholt abgespielt.
- RepeatAll: Alle Titel werden wiederholt.

CD-DISC PROGRAMMIEREN

Sie können bis zu 99 Titel einprogrammieren, um sie in jeder gewünschten Reihenfolge abzuspielen.

1. Legen Sie eine Disc ein und drücken Sie STOP (15) (6 fernbedienung), wenn sie zu spielen beginnt.
2. Drücken Sie (8) fernbedienung. "P01" wird auf dem Display angezeigt.
3. Drücken Sie SKIP -/+ (16/17) (12/13 fernbedienung), um Ihre Lieblingstitel auszuwählen.
4. Drücken Sie (8) fernbedienung, um den Titel im Programmspeicher zu speichern. "P02" wird auf dem Display angezeigt.
5. Wiederholen Sie die Schritte 3-4, um alle gewünschten Titel auszuwählen und sie zu speichern.
6. Drücken Sie PLAY/PAUSE (14) (9 fernbedienung) die geprogrammierte abspielende zu starten.
7. Drücken Sie STOP (15) (6 fernbedienung) einmal, um die Programmwiedergabe zu stoppen. Drücken Sie STOP (15) (6 fernbedienung) zweimal, um das Programm zu löschen.

SCHALLPLATTEN ANHÖREN

SEHR WICHTIG!

Um Beschädigungen beim Transport zu vermeiden, befindet sich an der oberen rechten Seite des Plattentellers eine Transportsicherungs-Schraube. Bevor Sie Musik abspielen, benützen Sie einen Schraubenzieher, um die Transportsicherungs-Schraube vollständig im Uhrzeigersinn einzudrehen (Die Schraube dreht sich nach unten). Denken Sie beim Transport daran, diese Schraube wieder gegen den Uhrzeigersinn herauszudrehen, um Beschädigungen zu vermeiden.

1. Drücken Sie die Taste MODE (8) (5 fernbedienung) erneut, um den PHONO-Modus auszuwählen.
2. Öffnen Sie den Deckel des Plattenspielers. Lösen Sie die Sperre des Tonarms und entfernen Sie die Schutzkappe von der Nadel. Legen Sie eine Platte auf den Plattenteller über die Spindel in der Mitte. Platzieren Sie den EP-Adapter über die Spindel, wenn Sie EPs mit 17 cm Durchmesser abspielen.
3. Stellen Sie den 33/45/78 RPM DREHZAH LWÄHLER (32) je nach Art der Platte auf 33/78/45 rpm ein. Heben Sie den Tonarm mit dem Heber für den Tonarm an. Bewegen Sie den Tonarm zum Anfang der Platte oder zum Anfang eines bestimmten Titels.
4. Senken Sie den Tonarm mit Hilfe des Tonarm-Hebers langsam auf die Platte, um mit der Wiedergabe zu beginnen. Wenn die Platte zu Ende abgespielt ist, hebt sich der Tonarm automatisch und kehrt in seine Halterung zurück.
5. Um das Abspielen manuell zu stoppen, heben Sie den Tonarm von der Platte und legen Sie ihn wieder in seine Halterung. Wenn Sie den Plattenteller verschieben oder erschüttern den Plattenspieler, ohne daß der Tonarm gesichert ist, kann das Schäden am Tonarm zur Folge haben. Setzen Sie die Schutzkappe auf die Nadel, wenn Sie den Plattenspieler nicht benützen.

AUX-IN

Dieses Gerät bietet einen zusätzlichen Audioeingang zum Anschluss externer Audiogeräte wie MP3-Player, CD-Player und ermöglicht die Wiedergabe aus Ihrer externen Quelle über die Lautsprecher der Anlage.

1. Verwenden Sie ein Audiokabel (nicht im Lieferumfang enthalten) mit einem Stereo-Cinch-Stecker an einem Ende des Kabels. Stecken Sie ein Ende in die AUX IN-Buchse am Hauptgerät und das andere Ende des Kabels in den Ausgang oder die Kopfhörerbuchse Ihres externen Audiogeräts.
2. Schalten Sie das Gerät und Ihr externes Audiogerät EIN. Drücken Sie die Taste MODE (8) (5 fernbedienung) erneut, um den AUX-Modus auszuwählen.
3. Beginnen Sie, das externe Gerät abzuspielen (siehe Benutzerhandbuch des externen Gerätes).

BLUETOOTH-BETRIEB

1. Drücken Sie die Taste MODE (8) (5 fernbedienung) erneut, um den BT-Modus auszuwählen.
2. Wählen Sie eines Ihrer tragbaren Geräte aus (Smartphone, Tablet ...), markieren die Bluetooth-ID, die als HIF-1996D+BT bezeichnet ist und bestätigen die Verbindung.
3. Wenn die Paarung erfolgreich ist, wird die LED zu blinken.
4. Jetzt können Sie die Musik in die HIF-1996D+BT übertragen und alles nur noch von Ihrem mobilen Gerät aus durchführen.

WIEDERGABE AUS EINEM USB-GERÄT

1. Stecken Sie das USB-Gerät an den USB-Anschluss.
2. Drücken Sie die Taste MODE (8) (5 fernbedienung) erneut, um den USB-Modus auszuwählen.
3. Das Gerät beginnt automatisch, das USB-Gerät auszulesen, nachdem es verbunden ist.
4. Verwenden Sie die gleiche Vorgehensweise wie bei CDS, um Musik aus Ihrem USB/SD-Gerät zu hören.

LÖSCHEN

1. Während der Wiedergabe, drücken und halten Sie die REC (18) (4 fernbedienung). "DEL" wird auf dem Display angezeigt.
2. Drücken Sie die Tasten SKIP +/- (16/17) (12/13 fernbedienung) wiederholt, um zwischen ONE/

FOLDER/ALL zu wählen.

3. Drücken Sie die REC (18) (4 fernbedienung) erneut, um zu bestätigen.

CODIERUNG

1. Während Sie eine PHONO/TAPE/BLUETOOTH/AUX-IN/DAB anhören, drücken Sie REC (18) (4 fernbedienung). "REC" wird auf dem Display angezeigt. Die REC-Anzeige leuchtet auf. Die Verschlüsselung ist nun im Gange. Man beachte, dass die Codierungsrate ist 1: 1.
2. Drücken Sie STOP (15) (6 fernbedienung), um die Aufnahme zu stoppen.
3. Das Gerät wird mit einer AA-Ordner auf dem USB-Gerät erstellen, die alle aufgezeichneten Spuren enthält.

CD

1. Drücken Sie REC (18) (3 fernbedienung).
2. Drücken Sie die Tasten SKIP +/- (16/17) (12/13 fernbedienung) wiederholt, um zwischen ONE/FOLDER/ALL zu wählen.
3. Drücken Sie REC (18) (3 fernbedienung) noch einmal, um die Aufnahme zu starten.

TECHNISCHE DATEN

AC:	230V ~ 50Hz
UKW:	87.5 - 108 MHz
DAB:	Band III

Das Typenschild befindet sich an der Gehäuseunterseite des Gerätes.

SICHERHEITSHINWEISE



Das Ausrufszeichen im Dreieck weist den Benutzer auf wichtige Bedienungs- und Wartungsanweisungen (Service) in diesem Handbuch hin, die unbedingt zu befolgen sind.



Um die Gefahr elektrischer Schläge auszuschliessen, Gehäuse auf keinen Fall abnehmen.



Im Innem befinden sich keine vom Benutzer selbst instandsetz-baren Teile. Reparaturen dürfen nur von einer autorisierten Fachwerkstatt durchgeführt werden.

230v~



Dieses Gerät ist für 230V ~ 50Hz Netzspannung ausgelegt. Bei längerer Nichtbenutzung des Geräts ziehen Sie den Stecker aus der Steckdose.



Setzen Sie das Gerät weder Feuchtigkeit noch Regen aus.



Schalten Sie das System erst dann ein, wenn Sie alle Verbindungen genau geprüft haben.



Stellen Sie das Gerät so auf, dass immer eine ungestörte Frischluftzufuhr sichergestellt ist. Es ist zum beispiel keinesfalls auf Teppiche und in der Nähe von Gardinen zu stellen oder in Bücherregale einzubauen.

Setzen Sie das Gerät weder direkter Sonneneinstrahlung noch Wärmequellen aus.

KORREKTE ENTSORGUNG DIESES PRODUKTS (Elektromüll)



Die Kennzeichnung auf dem Produkt bzw. auf der dazugehörigen Literatur gibt an, dass es nach seiner Lebensdauer nicht zusammen mit dem normalen Haushaltsmüll entsorgt werden darf. Entsorgen Sie dieses Gerät bitte getrennt von anderen Abfällen, um der Umwelt bzw. der menschlichen Gesundheit nicht durch unkontrollierte Müllbeseitigung zu schaden. Recyceln Sie das Gerät, um die nachhaltige Wiederverwertung von stofflichen Ressourcen zu fördern. Private Nutzer sollten den Händler, bei dem das Produkt gekauft wurde, oder die zuständigen Behörden kontaktieren, um in Erfahrung zu bringen, wie sie das Gerät auf umweltfreundliche Weise recyceln können. Gewerbliche Nutzer sollten sich an Ihren Lieferanten wenden und die Bedingungen des Verkaufsvertrags konsultieren. Dieses Produkt darf nicht zusammen mit anderem Gewerbemüll entsorgt werden.

CONTRÔLE DE POSITION

1. VOLUME KNOB
2. ECRAN LCD
3. ANTI-POUSSIÈRE
4. ENTRÉE USB
5. ENTRÉE CD
6. FREQUENCE
7. FRÉQUENCE REGULTEUR
8. MODE
9. ENTER
10. SCAN
11. PRESET
12. INFO
13. MENU
14. TOUCHE PLAY / PAUSE
15. TOUCHE STOP
16. BOUTON SKIP-
17. BOUTON SKIP+
18. ENREGISTREMENT
19. OPEN CLOSE CD
20. SERVICE FORUM
21. CASQUE DE SORTIE
22. AUX-IN
23. ANTENNE FM
24. INTERRUPTEUR ON / OFF
25. CORDON
26. BOITES MÉCANISME
27. FFD / EJ
28. TRANSIT SCREW
29. ADAPTER DISC
30. ÉLECTROPHONE
31. ARM PLATINE
32. SPEED SELECTOR 33/45/78 RPM

TÉLÉCOMMANDE

1. INTERRUPTEUR ON / OFF
2. OPEN CLOSE CD
3. ENREGISTREMENT
4. SUPPRESSION KEY
5. BOUTON MODE
6. TOUCHE STOP
7. BOUTON REPEAT
8. PROGRAMME CLÉ
9. TOUCHE PLAY / PAUSE
10. BOUTON AVANCE RAPIDE
11. BOUTON REWIND
12. BOUTON SKIP-
13. BOUTON SKIP +
14. CLAVIER NUMERIQUE
15. +10
16. ENTER
17. MENU
18. INFO
19. PRESET

20. TIMER

Appuyez sur (5) sur le télécommande à plusieurs reprises pour sélectionner le mode DAB / FM / BT / CD / USB / AUX / PHONO / TAPE.

PUISSANCE

Cet appareil utilise une alimentation de 230V ~ 50Hz. Branchez dans une prise électrique, en veillant à ce que la tension est indiquée sur l'étiquette.

Branchez l'appareil au pouvoir. Place INTERRUPTEUR ON / OFF (24) en position ON pour allumer l'appareil. Place INTERRUPTEUR ON / OFF (24) en position OFF pour éteindre l'appareil.

Cette unité dispose de deux modes de fonctionnement:

Mode veille: l'écran affiche l'heure actuelle et les haut-parleurs sont désactivés.

Mode de lecture: l'affichage est actif et vous pouvez écouter de la musique.

Quand aucun son est joué, l'appareil passe en mode veille automatiquement après 15 minutes.

Pour passer du mode STANDBY en mode de lecture, appuyez sur PLAY/PAUSE (14), ou appuyez sur ON/OFF (1) sur la télécommande.

TIME SET

En mode standby:

1. Maintenez STOP (15) (6 sur le télécommande). Les figures 12/24 clignote sur l'écran. Appuyez sur SKIP +/- (16/17) (12/13 sur le télécommande) pour sélectionner le bon moment. Appuyez sur STOP (15) (6 sur le télécommande) pour confirmer.
2. Les chiffres des heures clignotent sur l'écran. Appuyez sur SKIP +/- (16/17) (12/13 sur le télécommande) pour sélectionner le bon moment. Appuyez sur STOP (15) (6 sur le télécommande) pour confirmer.
3. Les chiffres des minutes clignotent sur l'écran. Appuyez sur SKIP +/- (16/17) (12/13 sur le télécommande) pour sélectionner les minutes. Appuyez sur STOP (15) (6 sur le télécommande) pour confirmer.
4. Les chiffres de l'année clignotent sur l'écran. Appuyez sur SKIP +/- (16/17) (12/13 sur le télécommande) pour sélectionner l'année correcte. Appuyez sur STOP (15) (6 sur le télécommande) pour confirmer.
5. Les chiffres du mois clignotent sur l'écran. Appuyez sur SKIP +/- (16/17) (12/13 sur le télécommande) pour sélectionner le mois correct. Appuyez sur STOP (15) (6 sur le télécommande) pour confirmer.
6. Les chiffres du jour clignotent sur l'écran. Appuyez sur SKIP +/- (16/17) (12/13 sur le télécommande) pour sélectionner le bon jour. Appuyez sur STOP (15) (6 sur le télécommande) pour confirmer.

RÉGLAGE DE L'ALARME

En mode standby:

1. Maintenez TIMER (20 sur le télécommande). Les chiffres des heures clignotent sur l'écran. Appuyez sur SKIP +/- (16/17) (12/13 sur le télécommande) pour sélectionner le bon moment. Appuyez sur TIMER (20 sur le télécommande) pour confirmer.
2. Les chiffres des minutes clignotent sur l'écran. Appuyez sur SKIP +/- (16/17) (12/13 sur le télécommande) pour sélectionner les minutes. Appuyez sur TIMER (20 sur le télécommande) pour confirmer.
3. Appuyez plusieurs fois sur SKIP +/- (16/17) (12/13 sur le télécommande) pour choisir le mode d'alarme: DAB / FM / CD / USB / TAPE. Appuyez sur TIMER (20 sur le télécommande) pour confirmer.
4. Appuyez sur TIMER (20 sur le télécommande) pour activer l'alarme. L'icône d'alarme apparaît à l'écran. Une fois l'heure d'alarme atteinte, l'appareil commence à jouer dans le mode choisi.
5. Appuyez sur TIMER (20 sur le télécommande) en mode veille pour désactiver l'alarme.

L'icône d'alarme disparaît de l'affichage.

SLEEP

1. Cette fonction permet d'aller dormir en écoutant la radio.
2. En écoutant de la musique, appuyez plusieurs fois sur TIMER (20 sur la télécommande) pour choisir entre OFF/15/30/45/60/75/90.
3. La radio active et désactive automatiquement après le temps sélectionné.

NAVIGUER LE MENU

En mode FM / DAB est un menu d'options:

1. Appuyez sur MENU (13) (17 sur la télécommande) pour accéder au menu.
2. Appuyez sur SKIP +/- (16/17) (12/13 sur la télécommande) pour faire défiler les options.
3. Appuyez sur ENTER (9) (16 sur la télécommande) pour sélectionner un élément.
4. Appuyez sur MENU (13) (17 sur la télécommande) pour quitter le menu.

REGLAGES

En mode FM / DAB, appuyez sur MENU (13) (17 sur la télécommande) et sélectionnez SYSTEM:

- Language: Sélectionnez cette option pour changer la langue du système.
- Factory Reset: Sélectionnez cette option pour réinitialiser l'appareil aux réglages d'usine.
- Software Upgrade: Sélectionnez cette option pour installer le nouveau logiciel.
- SW version: sélectionnez cette option pour afficher la version actuelle du logiciel.

DAB MODE

Appuyez sur MODE (8) (5 sur la télécommande) pour sélectionner le mode DAB.

Appuyez sur SKIP +/- (16/17) (12/13 sur la télécommande) pour sélectionner un programme.

MENU DAB

Appuyez sur MENU (13) (17 sur la télécommande) pour accéder aux options suivantes:

- Full Scan: Sélectionnez cette option pour démarrer une analyse complète des programmes DAB disponibles. Vous pouvez appuyer sur SCAN (10) pour effectuer la même action.
- Manual Tune: Sélectionnez cette option pour sélectionner manuellement la fréquence.
- DRC: Sélectionnez cette option pour choisir entre les options de la RDC.
- Prune: sélectionnez cette option pour choisir d'activer ou non les stations de pruneau.

PRESET

Vous pouvez programmer jusqu'à un maximum de 20 stations pré-réglées.

1. Appuyez et maintenez PRESET (11) (19 sur la télécommande). Apparaissent sur la PRESET écran STORE. Appuyez sur SKIP +/- (16/17) (12/13 sur la télécommande) pour sélectionner le numéro de présélection. Appuyez sur ENTER (9) (16 sur la télécommande) pour confirmer.
2. Appuyez sur PRESET (11) (19 sur la télécommande) pour naviguer dans les stations pré-réglées.

À PROPOS DAB

Appuyez sur INFO (12) (18 sur la télécommande) pour afficher les informations suivantes: NOM DU PROGRAMME / KBPS / DATE / HEURE.

MODE FM

Appuyez sur MODE (8) (5 sur la télécommande) pour sélectionner le mode FM.

Tournez la commande de fréquence (7) pour sélectionner manuellement la fréquence.

MENU FM

Appuyez sur MENU (13) (17 sur la télécommande) pour accéder aux options suivantes:

- Scan Setting: Sélectionnez cette option pour choisir de rechercher uniquement les stations les plus fortes (stations fortes) ou toutes les stations (toutes les stations)
- Audio Setting: Sélectionnez cette option pour choisir d'utiliser seulement MONO (en mono forcé) ou d'autoriser ou non l'utilisation de STEREO.

PRESET

Voir les instructions pour le DAB PRESET.

À PROPOS FM

Appuyez sur INFO (12) (18 sur la télécommande) pour afficher les informations suivantes: TYPE DE PROGRAMME / FRÉQUENCE / AUDIO / DATE / HEURE.

ÉCOUTE DE TAPE

1. Appuyez sur MODE (8) (5 sur la télécommande) pour sélectionner le mode TAPE.
2. Insérez une cassette dans l'appareil. Le dispositif va commencer à jouer la cassette lorsqu'elle est insérée.
3. Presse FFD/EJ (27) jusqu'à la moitié pendant la lecture. La bande avance rapide. Appuyez doucement FFD/EJ (27) pour reprendre la lecture.
4. Presse FFD/EJ (27) à fond pour retirer la cassette du BOITES MÉCANISME (26).

LECTURE CD

1. Appuyez sur MODE (8) (5 sur la télécommande) pour sélectionner le mode CD.
 2. Appuyez sur TASTE OPEN CLOSE CD (19) (2 sur le télécommande) pour ouvrir le compartiment CD. Placez un CD avec la face imprimée vers le haut dans le compartiment, puis fermez-le. La première piste est lue automatiquement.
- Appuyez sur SKIP +/- (16/17) (12/13 sur le télécommande) pour sélectionner les pistes souhaitées. Si vous maintenez SKIP +/- (16/17) (10/11 sur le télécommande), la piste en cours de lecture circule rapidement dans la direction choisie jusqu'à ce que le bouton est relâché.
 - Appuyez sur PLAY/PAUSE (14) (9 sur le télécommande) pour interrompre la lecture. Le numéro de piste clignote. Appuyez PLAY/PAUSE (14) (9 sur le télécommande) à nouveau pour continuer à jouer
 - Appuyez sur STOP (15) (6 sur le télécommande) pour arrêter la lecture.

MODE REPEAT

Pendant la lecture, appuyez plusieurs fois (7) sur le télécommande sur la télécommande pour sélectionner:

- Repeat1: La piste en cours est lu en boucle.
- RepeatFolder: Le dossier en cours de lecture en continu.
- RepeatAll: Toutes les pistes seront lues en continu.

PROGRAMMATION CD

Vous pouvez programmer jusqu'à 99 pistes à jouer dans un ordre quelconque.

1. Insérez un CD et appuyez sur STOP (15) (6 sur le télécommande) quand il commence à jouer.
2. Appuyez sur (8) sur le télécommande. L'écran affiche "P01".
3. Appuyez sur SKIP +/- (16/17) (12/13 sur le télécommande) pour sélectionner les pistes souhaitées.
4. Appuyez sur (8) sur le télécommande pour accéder à la piste dans la ligne de programmation. L'écran affiche "P02".
5. Répétez les étapes 3-4 pour sélectionner et programmer toutes les pistes que vous voulez.
6. Appuyez sur PLAY/PAUSE (14) (9 sur le télécommande) pour démarrer la lecture du programme.
7. Appuyez sur STOP (15) (6 sur le télécommande) une fois pour arrêter la lecture du programme. Appuyez à nouveau sur STOP (15) (6 sur le télécommande) pour annuler le programme

en cours.

FONCTION JOUEUR RECORD

TRÈS IMPORTANT!

Pour prévenir les dommages causés par le transport, une vis de transport est placée dans le coin supérieur droit de la plaque tournante. Avant de commencer à jouer, utiliser un tournevis pour serrer la vis (dans le sens horaire). Dans le cas du transport n'oubliez pas de dévisser la vis (à gauche).

1. Appuyez sur MODE (8) (5 sur la télécommande) pour sélectionner le mode PHONO.
2. Ouvrez le couvercle de la platine. Retirez la clé de bras et le protecteur de stylet. Placez un disque sur la platine. Placez l'adaptateur dans le cas d'utilisation d'un disque de 17cm.
3. Situé SPEED SELECTOR 33/45/78 RPM (32) sur 33/45/78 rpm selon le disque à jouer.
4. Levez le bras à l'aide du levier. Déplacer le début du bras de disque, ou le début d'une piste particulière. Abaissez lentement l'aiguille sur le disque en utilisant le levier.
5. Lorsque la fin du disque, la lecture est interrompue et le bras revient automatiquement à la position de départ. Pour arrêter la lecture manuellement, soulever le bras du dossier et de le ramener à la position de départ.
6. Déplacer ou secouer l'appareil sans bloquer le bras pourrait endommager le mécanisme. Mettez le cap sur le stylet lorsqu'il ne sert pas.

AUX-IN

Cette unité est équipée d'un 3,5 mm entrée AUX permet de connecter des périphériques audio externes et écouter de la musique à travers les haut-parleurs de cet appareil.

1. Utilisez un câble audio aux prises RCA sur au moins une extrémité du câble. Branchez une extrémité dans la sortie audio de l'appareil externe et l'autre extrémité à l'entrée AUX de cet appareil.
2. Mettez cet appareil et le périphérique externe. Appuyez sur MODE (8) (5 sur la télécommande) pour sélectionner le mode AUX.
3. A commencé à jouer de la musique à partir du périphérique externe (voir le mode d'emploi de l'appareil).

FONCTION BLUETOOTH

1. Appuyez sur MODE (8) (5 sur la télécommande) pour sélectionner le mode BT.
2. Sélectionnez à partir de votre appareil mobile (Smartphone, tablette ...) le Bluetooth nom du périphérique HIF-1996D+BT, puis confirmer la connexion.
3. Lorsque la connexion est terminée, le voyant cesse de clignoter.
4. Maintenant, vous pouvez transférer de la musique sur votre HIF-1996D+BT et toutes les opérations peuvent être effectuées directement à partir de votre appareil.

LECTURE USB

1. Insérez le périphérique USB dans la prise.
2. Appuyez sur MODE (8) (5 sur la télécommande) pour sélectionner le mode USB.
3. Le dispositif de lecture démarre automatiquement après la connexion.
4. Utilisez les mêmes étapes pour afficher le CD pour jouer un périphérique USB.

SUPPRESSION USB

1. Pendant la lecture, maintenez la touche REC (18) (4 sur le télécommande). L'écran affiche "DEL."
2. Appuyez plusieurs fois sur SKIP +/- (16/17) (12/13 sur le télécommande) pour choisir entre ONE / FOL / ALL.
3. Appuyez à nouveau sur REC (18) (4 sur le télécommande) pour confirmer.

ENREGISTREMENT

1. Pendant la lecture PHONO/TAPE/BLUETOOTH/AUX-IN, appuyez sur REC (18) (4 sur le télécommande). L'écran affiche "REC". Le témoin s'allume. L'inscription est maintenant en cours. A noter que la vitesse d'enregistrement est de 1: 1.
2. Appuyez sur STOP (15) (6 sur le télécommande) pour arrêter l'enregistrement.
3. L'unité va créer un dossier dans le périphérique USB contenant toutes les pistes enregistrées.

CD

1. Appuyez sur REC (18) (3 sur le télécommande).
2. Appuyez sur SKIP +/- (16/17) (12/13 sur le télécommande) pour sélectionner entre ONE / FOLDER / ALL.
3. Appuyez sur REC (18) (3 sur le télécommande) à nouveau

CARACTERISTIQUES TECHNIQUES

CA:	230V ~ 50Hz
FM:	87.5 - 108 MHz
DAB:	Band III

Les spécifications peuvent être modifiées sans avis préalable.

ATTENTION



Le symbole "point d'exclamation" à l'intérieur d'un triangle avertit l'utilisateur que d'importantes instructions d'utilisation et de maintenance sont contenues dans le mode d'emploi.



Le symbole "éclair" à l'intérieur d'un triangle sert à avertir l'utilisateur de la présence du courant à l'intérieur de l'appareil qui pourrait constituer un risque.



Afin de minimiser les risques, ne pas ouvrir le boîtier ni ôter le dos de l'appareil. En case de panne, faites appel aux techniciens qualifiés pour les réparations. L'appareil ne renferme aucune pièce réparable par l'utilisateur.

230v~



Cet appareil a été conçu pour une tension d'alimentation de 230V ~ 50Hz. Débranchez la prise de courant quand on prévoit de ne pas utiliser l'appareil pendant un certain temps.



Mettez l'appareil sous tension seulement après avoir vérifié que tous les raccordements soient corrects.



L'unité ne doit pas être exposée à l'humidité ou à la pluie.

L'appareil doit être gardé dans un endroit suffisamment ventilé. Ne le gardez jamais par exemple près des rideaux, sur un tapis ou dans des meubles, tels qu'une bibliothèque.



L'unité ne doit pas être exposée à la lumière directe du soleil ou à des sources de chaleur.

COMMENT ÉLIMINER CE PRODUIT

(déchets d'équipements électriques et électroniques)



Ce symbole sur le produit ou sa documentation indique qu'il ne doit pas être éliminé en fin de vie avec les autres déchets ménagers. L'élimination incontrôlée des déchets pouvant porter préjudice à l'environnement ou à la santé humaine, veuillez le séparer des autres types de déchets et le recycler de façon responsable. Vous favoriserez ainsi la réutilisation durable des ressources matérielles. Les particuliers sont invités à contacter le distributeur leur ayant vendu le produit ou à se renseigner auprès de leur mairie pour savoir où et comment ils peuvent se débarrasser de ce produit afin qu'il soit recyclé en respectant l'environnement. Les entreprises sont invitées à contacter leurs fournisseurs et à consulter les conditions de leur contrat de vente. Ce produit ne doit pas être éliminé avec les autres déchets commerciaux.

POSIZIONE DEI COMANDI

1. MANOPOLA VOLUME
2. DISPLAY LCD
3. COPERCHIO ANTI-POLVERE
4. INGRESSO USB
5. INGRESSO CD
6. SCALA DI FREQUENZE
7. REGOLATORE DI FREQUENZA
8. MODE
9. ENTER
10. SCAN
11. PRESET
12. INFO
13. MENU
14. TASTO PLAY/PAUSA
15. TASTO STOP
16. TASTO SKIP-
17. TASTO SKIP+
18. REGISTRAZIONE
19. APRI/CHIUDI PORTA CD
20. FORO DI SERVIZIO
21. USCITA CUFFIE
22. INGRESSO AUX-IN
23. ANTENNA FM
24. INTERRUTTORE ON/OFF
25. CAVO DI ALIMENTAZIONE
26. MECCANISMO CASSETTE
27. FFD/EJ
28. TRANSIT SCREW
29. ADATTATORE DISCO
30. GIRADISCHI
31. BRACCIO GIRADISCHI
32. SELETTORE DI VELOCITÀ 33/45/78 RPM

TELECOMANDO

1. INTERRUTTORE ACCESO/SPENTO
2. APRI/CHIUDI PORTA CD
3. REGISTRAZIONE
4. TASTO CANCELLAZIONE
5. TASTO MODALITÀ
6. TASTO STOP
7. TASTO REPEAT
8. TASTO PROGRAMMA
9. TASTO PLAY/PAUSA
10. TASTO AVANTI VELOCE
11. TASTO RIAVVOLGI
12. TASTO SKIP-
13. TASTO SKIP+
14. TASTIERA NUMERICA
15. +10
16. ENTER
17. MENU
18. INFO
19. PRESET

20. TIMER

Premere (5) sul telecomando ripetutamente per scegliere la modalità DAB / FM / BT / CD / USB / AUX / PHONO / TAPE.

ALIMENTAZIONE

Questa unità utilizza un'alimentazione da 230V ~ 50Hz. Inserire la spina in una presa di corrente, assicurandosi che il voltaggio sia lo stesso indicato sull'etichetta.

Connettere l'unità all'alimentazione. Posizionare INTERRUTTORE ON/OFF (24) in posizione ON per accendere l'unità. Posizionare INTERRUTTORE ON/OFF (24) in posizione OFF per spegnere l'unità.

Questa unità ha due modalità di funzionamento:

Modalità STANDBY: il display mostra l'orario corrente e gli altoparlanti sono spenti.

Modalità PLAYBACK: il display è attivo e si può ascoltare la musica.

Quando nessun suono viene riprodotto, l'unità passa in modalità STANDBY automaticamente dopo 15 minuti.

IMPOSTARE L'ORARIO

In modalità standby:

1. Tenere premuto STOP (15) (6 sul telecomando). Le cifre 12/24 lampeggeranno sul display. Premere ripetutamente SKIP+/- (16/17) (12/13 sul telecomando) per selezionare l'ora corretta. Premere STOP (15) (6 sul telecomando) di nuovo per confermare.
2. Le cifre dell'ora lampeggeranno sul display. Premere ripetutamente SKIP+/- (16/17) (12/13 sul telecomando) per selezionare l'ora corretta. Premere STOP (15) (6 sul telecomando) di nuovo per confermare.
3. Le cifre dei minuti lampeggeranno sul display. Premere ripetutamente SKIP+/- (16/17) (12/13 sul telecomando) per selezionare i minuti corretti. Premere STOP (15) (6 sul telecomando) di nuovo per confermare.
4. Le cifre dell'anno lampeggeranno sul display. Premere ripetutamente SKIP+/- (16/17) (12/13 sul telecomando) per selezionare l'anno corretto. Premere STOP (15) (6 sul telecomando) di nuovo per confermare.
5. Le cifre del mese lampeggeranno sul display. Premere ripetutamente SKIP+/- (16/17) (12/13 sul telecomando) per selezionare il mese corretto. Premere STOP (15) (6 sul telecomando) di nuovo per confermare.
6. Le cifre del giorno lampeggeranno sul display. Premere ripetutamente SKIP+/- (16/17) (12/13 sul telecomando) per selezionare il giorno corretto. Premere STOP (15) (6 sul telecomando) di nuovo per confermare.

IMPOSTARE LA SVEGLIA

In modalità STANDBY:

1. Tenere premuto TIMER (20 sul telecomando). Le cifre dell'ora lampeggeranno sul display. Premere ripetutamente SKIP+/- (16/17) (12/13 sul telecomando) per selezionare l'ora corretta. Premere TIMER (20 sul telecomando) di nuovo per confermare.
2. Le cifre dei minuti lampeggeranno sul display. Premere ripetutamente SKIP+/- (16/17) (12/13 sul telecomando) per selezionare i minuti corretti. Premere TIMER (20 sul telecomando) di nuovo per confermare.
3. Premere SKIP+/- (16/17) (12/13 sul telecomando) ripetutamente per scegliere la modalità di allarme: DAB / FM / CD / USB / TAPE. Premere TIMER (20 sul telecomando) di nuovo per confermare.
4. Premere TIMER (20 sul telecomando) per attivare l'allarme. L'icona della sveglia apparirà sul display. Una volta che l'orario di allarme viene raggiunto l'unità inizia a riprodurre musica nella modalità prescelta.
5. Press TIMER (20 sul telecomando) in modalità standby per disattivare l'allarme. L'icona di al-

larme scompare dal display.

SLEEP

1. Questa funzione permette di andare a dormire ascoltando la musica.
2. Mentre si ascolta la musica, premere TIMER (20 sul telecomando) ripetutamente per selezionare tra OFF/15/30/45/60/75/90.
3. Il dispositivo si spegnerà automaticamente dopo il periodo di tempo selezionato.

NAVIGAZIONE DEL MENU

In modalità FM/DAB è presente un menu di opzioni:

1. Premere MENU (13) (17 sul telecomando) per accedere al menu.
2. Premere SKIP+/- (16/17) (12/13 sul telecomando) per scorrere tra le opzioni.
3. Premere ENTER (9) (16 sul telecomando) per selezionare una voce.
4. Premere di nuovo MENU (13) (17 sul telecomando) per uscire dal menu.

IMPOSTAZIONI

In modalità FM/DAB, premere MENU (13) (17 sul telecomando) e selezionare SYSTEM:

- Language: selezionare questa opzione per cambiare la lingua del sistema.
- Factory reset: selezionare questa opzione per resettare il dispositivo alle impostazioni di fabbrica.
- Software Upgrade: selezionare questa opzione per installare il nuovo software.
- SW version: selezionare questa opzione per visualizzare l'attuale versione del software.

MODALITÀ DAB

Premere MODE (8) (5 sul telecomando) ripetutamente fino a selezionare la modalità DAB.
Premere SKIP+/- (16/17) (12/13 sul telecomando) per selezionare un programma.

MENU DAB

Premere MENU (13) (17 sul telecomando) per accedere alle seguenti opzioni:

- Full Scan: selezionare questa opzione per avviare una scansione completa dei programmi DAB disponibili. Si può premere SCAN (10) per effettuare la medesima azione.
- Manual Tune: selezionare questa opzione per selezionare manualmente la frequenza.
- DRC: selezionare questa opzione per scegliere tra le opzioni DRC.
- Prune: selezionare questa opzione per scegliere se attivare o meno le stazioni PRUNE.

PRESET

Si possono programmare fino a un massimo di 20 stazioni preimpostate.

1. Tenere premuto PRESET (11) (19 sul telecomando). Sullo schermo comparirà PRESET STORE. Premere SKIP+/- (16/17) (12/13 sul telecomando) per selezionare il numero di pre-selezione. Premere ENTER (9) (16 sul telecomando) per confermare.
2. Premere PRESET (11) (19 sul telecomando) per navigare attraverso le stazioni preselezionate.

DAB INFO

Premere ripetutamente INFO (12) (18 sul telecomando) per visualizzare le seguenti informazioni: NOME DEL PROGRAMMA / KBPS / DATE / TIME.

MODALITÀ FM

Premere MODE (8) (5 sul telecomando) ripetutamente fino a selezionare la modalità FM.
Ruotare il REGOLATORE DI FREQUENZA (7) per selezionare manualmente la frequenza.

MENU FM

Premere MENU (13) (17 sul telecomando) per accedere alle seguenti opzioni:

- Scan Setting: selezionare questa opzione per scegliere se ricercare solo le stazioni più forti (strong stations) o tutte le stazioni (all stations)
- Audio Setting: selezionare questa opzione per scegliere se utilizzare solo MONO (forced mono) o se permettere l'utilizzo dello STEREO.

PRESET

Vedere le istruzioni per il DAB PRESET.

FM INFO

Premere ripetutamente INFO (12) (18 sul telecomando) per visualizzare le seguenti informazioni: TIPOLOGIA DEL PROGRAMMA / FREQUENZA / AUDIO / DATE / TIME.

ASCOLTO DELLE CASSETTE

1. Premere MODE (8) (5 sul telecomando) ripetutamente fino a selezionare la modalità TAPE.
2. Inserire una cassetta nell'unità. Il dispositivo inizierà a riprodurre la cassetta non appena questa viene inserita.
3. Premere FFD/EJ (27) fino a metà durante la riproduzione. La cassetta andrà avanti velocemente. Premere di nuovo FFD/EJ (27) delicatamente per riprendere la riproduzione.
4. Premere FFD/EJ (27) fino in fondo per estrarre la cassetta dal MECCANISMO CASSETTE (26).

RIPRODUZIONE DA CD

1. Premere MODE (8) (5 sul telecomando) ripetutamente fino a selezionare la modalità CD.
2. Premere APRI/CHIUDI PORTA CD (19) (2 sul telecomando) per aprire lo scompartimento CD. Posizionare un CD con il lato stampato rivolto verso l'alto all'interno dello scompartimento, quindi chiuderlo. La prima traccia verrà riprodotta in automatico.
- Premere SKIP -/+ (16/17) (12/13 sul telecomando) per selezionare le tracce desiderate. Se si tiene premuto SKIP -/+ (16/17) (10/11 sul telecomando), la traccia in riproduzione scorrerà velocemente nella direzione selezionata fino a che non si rilascia il tasto.
- Premere PLAY/PAUSE (14) (9 sul telecomando) per mettere in pausa la riproduzione. Il numero di traccia inizierà a lampeggiare. Premere nuovamente PLAY/PAUSE (14) (9 sul telecomando) per continuare la riproduzione
- Premere STOP (15) (6 sul telecomando) per interrompere la riproduzione.

MODALITÀ RIPETIZIONE

Durante la riproduzione, premere ripetutamente (7) sul telecomando sul telecomando per selezionare:

- Repeat1: La traccia corrente sarà riprodotta continuamente.
- RepeatFolder: La cartella corrente sarà riprodotta continuamente.
- RepeatAll: Tutte le tracce saranno riprodotte continuamente.

PROGRAMMAZIONE CD

Si possono programmare fino a 99 tracce da riprodurre in qualsiasi ordine.

1. Inserire un CD e premere STOP (15) (6 sul telecomando) quando inizia la riproduzione.
2. Premere (8) sul telecomando. Sul display viene visualizzato "P01".
3. Premere SKIP -/+ (16/17) (12/13 sul telecomando) per selezionare le tracce desiderate.
4. Premere (8) sul telecomando per inserire la traccia nella linea di programmazione. Sul display viene visualizzato "P02".
5. Ripetere i passaggi 3-4 per selezionare e programmare tutte le tracce desiderate.
6. Premere PLAY/PAUSE (14) (9 sul telecomando) per iniziare la riproduzione programmata.
7. Premere STOP (15) (6 sul telecomando) una volta per interrompere la riproduzione program-

mata. Premere STOP (15) (6 sul telecomando) di nuovo per cancellare la programmazione attuale.

FUNZIONE GIRADISCHI

MOLTO IMPORTANTE!

Per evitare danni causati dal trasporto, una vite di trasporto è posta nella parte in alto a destra del giradischi. Prima di iniziare la riproduzione, utilizzare un cacciavite per avvitarla completamente la vite (in senso orario). In caso di trasporto ricordarsi di svitarla completamente la vite (senso antiorario).

1. Premere MODE (8) (5 sul telecomando) ripetutamente fino a selezionare la modalità PHONO.
2. Aprire il coperchio del giradischi. Rimuovere il blocco del braccio e la protezione della puntina. Posizionare un disco sul giradischi. Posizionare l'adattatore nel caso di utilizzo di un disco da 17cm.
3. Impostare SELETTORE DI VELOCITÀ 33/45/78 RPM (32) su 33 / 45 / 78 giri a seconda del disco da riprodurre.
4. Sollevare il braccio utilizzando l'apposita leva. Spostare il braccio all'inizio del disco, o all'inizio di una traccia particolare. Abbassare lentamente la puntina sul disco utilizzando l'apposita leva.
5. Quando il disco terminerà, la riproduzione si fermerà e il braccio ritornerà in automatico alla posizione di partenza. Per fermare la riproduzione manualmente, sollevare il braccio dal disco e riportarlo alla posizione di partenza.
6. Spostare o scuotere il dispositivo senza bloccare il braccio potrebbe danneggiare il meccanismo. Rimettere la protezione sulla puntina quando non viene utilizzata.

AUX-IN

Questa unità è dotata di un ingresso AUX da 3,5 mm che consente di connettere dispositivi audio esterni e riprodurre la musica tramite le casse di questa unità.

1. Utilizzare un cavo audio con degli spinotti RCA su almeno un estremo del cavo. Connettere un'estremità nell'uscita audio del dispositivo esterno e l'altra estremità nell'ingresso AUX di questa unità.
2. Accendere questa unità e il dispositivo esterno. Premere MODE (8) (5 sul telecomando) ripetutamente fino a selezionare la modalità AUX.
3. Iniziare a riprodurre musica dal dispositivo esterno (vedi manuale d'uso del dispositivo).

FUNZIONE BLUETOOTH

1. Premere MODE (8) (5 sul telecomando) ripetutamente fino a selezionare la modalità BT.
2. Selezionare dal vostro dispositivo portatile (Smartphone, Tablet...) il dispositivo Bluetooth con nome HIF-1996D+BT, quindi confermare la connessione.
3. Quando la connessione è completata il LED smetterà di lampeggiare.
4. Adesso potrete trasferire musica al vostro HIF-1996D+BT e tutte le operazioni potranno essere realizzate direttamente dal vostro dispositivo.

RIPRODUZIONE DA USB

1. Inserire il dispositivo USB nell'apposita presa.
2. Premere MODE (8) (5 sul telecomando) ripetutamente fino a selezionare la modalità USB.
3. La lettura del dispositivo inizierà automaticamente in seguito alla connessione.
4. Utilizzare le stesse procedure viste per il CD per riprodurre un dispositivo USB.

CANCELLAZIONE USB

1. Durante la riproduzione, tenere premuto REC (18) (4 sul telecomando). Sul display viene visualizzato "DEL".

2. Premere SKIP +/- (16/17) (12/13 sul telecomando) ripetutamente per selezionare tra ONE/FOL/ALL.
3. Premere REC (18) (4 sul telecomando) di nuovo per confermare.

REGISTRAZIONE

1. Durante la riproduzione di PHONO/TAPE/BLUETOOTH/AUX-IN/DAB, premere REC (18) (4 sul telecomando). Sul display viene visualizzato "REC". L'indicatore relativo si illuminerà. La registrazione è ora in corso. Notare che la velocità di registrazione è 1:1.
2. Premere STOP (15) (6 sul telecomando) per interrompere la registrazione.
3. L'unità creerà una cartella nel dispositivo USB, contenente tutte le tracce registrate.

CD

1. Premere REC (18) (3 sul telecomando).
2. Premere SKIP +/- (16/17) (12/13 sul telecomando) ripetutamente per selezionare tra ONE/FOLDER/ALL.
3. Premere REC (18) (3 sul telecomando) di nuovo per iniziare la registrazione.

SPECIFICHE TECNICHE

AC:	230V ~ 50 Hz
FM:	87.5 - 108 MHz
DAB:	Band III

Caratteristiche soggette a variazioni senza preavviso.

ATTENZIONE



Il punto esclamativo all'interno di un triangolo avverte l'utente che il libretto d'istruzioni contiene delle importanti istruzioni per l'uso e la manutenzione.



Il simbolo del fulmine all'interno di un triangolo avverte l'utente della presenza di una pericolosa tensione all'interno dell'apparecchio.



Per ridurre i rischi di scosse elettriche, non aprire l'apparecchio. L'apparecchio non contiene parti riparabili dall'utente. In caso di guasto fare appello a tecnici qualificati per le riparazioni.



Questo apparecchio è stato progettato per funzionare a 230V ~ 50Hz. Se non si intende utilizzare l'apparecchio per un lungo periodo di tempo, rimuovere la spina dalla presa di corrente.



Utilizzare l'apparecchio solo dopo aver verificato che tutte le connessioni siano state eseguite correttamente.



Non esporre l'apparecchio alla pioggia o all'umidità.



Posizionare l'apparecchio in un luogo sufficientemente ventilato. Evitare di sistemarlo vicino a tende, sul tappeto o all'interno di un mobile quale, ad esempio, una libreria.

Non esporre l'apparecchio alla luce diretta del sole o a fonti di calore.

CORRETTO SMALTIMENTO DEL PRODOTTO (rifiuti elettrici ed elettronici)



Il marchio riportato sul prodotto e sulla sua documentazione indica che il prodotto non deve essere smaltito con altri rifiuti domestici al termine del ciclo di vita. Per evitare eventuali danni all'ambiente o alla salute causati dall'inopportuno smaltimento dei rifiuti, si invita l'utente a separare questo prodotto da altri tipi di rifiuti e di riciclarlo in maniera responsabile per favorire il riutilizzo sostenibile delle risorse materiali. Gli utenti domestici sono invitati a contattare il rivenditore presso il quale è stato acquistato il prodotto a l'ufficio locale preposto per tutte le informazioni relative alla raccolta differenziata e al riciclaggio per questo tipo di prodotto. Gli utenti aziendali sono invitati a contattare il proprio fornitore e verificare i termini e le condizioni del contratto di acquisto. Questo prodotto non deve essere smaltito unitamente ad altri rifiuti commerciali.

EL CONTROL DE POSICIÓN

1. BOTÓN DE VOLUMEN
2. PANTALLA LCD
3. ANTI-DUST COVER
4. ENTRADA USB
5. CD ENTRADA
6. GAMA DE FRECUENCIAS
7. REGULADOR DE FRECUENCIA
8. MODE
9. ENTER
10. SCAN
11. PRESET
12. INFO
13. MENU
14. JUGADA CLAVE / PAUSA
15. TECLA STOP
16. BOTÓN SKIP-
17. BOTÓN DE SALTO +
18. REGISTRO
19. SOPORTE DE CD OPEN / CLOSE
20. FORO DE SERVICIO
21. SALIDA DE AURICULARES
22. AUX-IN
23. ANTENA FM
24. SWITCH ON / OFF
25. CABLE DE ALIMENTACIÓN
26. TAPE MECANISMOS
27. FFD / EJ
28. TRÁNSITO SCREW
29. ADAPTADOR DE DISCO
30. TOCADISCOS
31. ARM TOCADISCO
32. SELECTOR DE VELOCIDAD 33/45/78 RPM

CONTROL REMOTO

1. SWITCH ON / OFF
2. SOPORTE DE CD OPEN / CLOSE
3. REGISTRO
4. CANCELACIÓN CLAVE
5. BOTÓN DE MODO
6. TECLA STOP
7. BOTÓN DE REPETICIÓN
8. PROGRAMA CLAVE
9. CLAVE PLAY/ PAUSA
10. BOTÓN DE AVANCE RÁPIDO
11. BOTÓN DE REBOBINADO
12. BOTÓN SKIP-
13. BOTÓN DE SALTO +
14. TECLADO NUMÉRICO
15. +10
16. ENTER
17. MENU
18. INFO
19. PRESET
20. TIMER

Pulse (5) en el control remoto varias veces para seleccionar el modo / FM / MW / CD USB / AUX / Bluetooth / TAPE / PHONO.

POTENCIA

Esta unidad utiliza una fuente de alimentación de 230 V ~ 50 Hz. Enchufe en una toma de corriente, asegurándose de que la tensión es tal como se indica en la etiqueta.

Conecte la unidad a la corriente. Lugar SWITCH ON / OFF (24) en la posición ON para encender la unidad. Colocar SWITCH ON / OFF (24) en posición OFF para apagar la unidad.

Si no hay sonido durante 15 minutos, la unidad se apagará automáticamente.

Esta unidad tiene dos modos de funcionamiento:

Modo de espera: la pantalla muestra la hora actual y los altavoces están apagados.

Modo de reproducción: la pantalla está activa y puede escuchar música.

Cuando se reproduce ningún sonido, la unidad entrará en el modo de espera automáticamente después de 15 minutos.

Para cambiar del modo de espera para el modo de reproducción, mantenga pulsada la tecla PLAY/PAUSA (14), o pulse el botón ON/OFF (1) en el control remoto.

TIME SET

En modo standby:

1. Sostenga STOP (15) (6 en el control remoto). Las figuras 12/24 parpadeará en la pantalla. Pulse SKIP +/- (16/17) (12/13 en el control remoto) para seleccionar la hora correcta. Pulse STOP (15) (6 en el control remoto) de nuevo para confirmar.
2. Los dígitos de la hora parpadean en la pantalla. Pulse SKIP +/- (16/17) (12/13 en el control remoto) para seleccionar la hora correcta. Pulse STOP (15) (6 en el control remoto) de nuevo para confirmar.
3. Los dígitos de los minutos parpadean en la pantalla. Pulse SKIP +/- (16/17) (12/13 en el control remoto) para seleccionar los minutos correctos. Pulse STOP (15) (6 en el control remoto) de nuevo para confirmar.
4. Los dígitos del año parpadean en la pantalla. Pulse SKIP +/- (16/17) (12/13 en el control remoto) para seleccionar el año correcto. Pulse STOP (15) (6 en el control remoto) de nuevo para confirmar.
5. Las cifras del mes parpadean en la pantalla. Pulse SKIP +/- (16/17) (12/13 en el control remoto) para seleccionar el mes correcto. Pulse STOP (15) (6 en el control remoto) de nuevo para confirmar.
6. Las cifras del día parpadean en la pantalla. Pulse SKIP +/- (16/17) (12/13 en el control remoto) para seleccionar el día correcto. Pulse STOP (15) (6 en el control remoto) de nuevo para confirmar.

AJUSTAR LA ALARMA

En modo standby:

1. Sostenga TIMER (20 en el control remoto). Los dígitos de la hora parpadean en la pantalla. Pulse SKIP +/- (16/17) (12/13 en el control remoto) para seleccionar la hora correcta. Pulse TIMER (20 en el control remoto) de nuevo para confirmar.
2. Los dígitos de los minutos parpadean en la pantalla. Pulse SKIP +/- (16/17) (12/13 en el control remoto) para seleccionar los minutos correctos. Pulse TIMER (20 en el control remoto) de nuevo para confirmar.
3. Pulse SKIP +/- (16/17) (12/13 en el control remoto) repetidamente para elegir el modo de alarma: DAB / FM / CD / USB / TAPE. Pulse TIMER (20 en el control remoto) de nuevo para confirmar.
4. Pulse TIMER (20 en el control remoto) para activar la alarma. El icono de alarma aparecerá en la pantalla. Una vez alcanzada la hora de alarma, la unidad comenzará a reproducirse en el modo elegido.
5. Pulse TIMER (20 en el control remoto) en el modo de espera para desactivar la alarma. El icono de alarma desaparecerá de la pantalla.

SLEEP

1. Esta función hace que sea posible ir a dormir escuchando la radio.
2. Mientras escucha música, pulse TIMER (20 en el control remoto) varias veces para seleccionar entre OFF / 15/30/45/60/75/90.
3. La radio se enciende y apaga automáticamente después del tiempo seleccionado.

NAVEGACIÓN POR EL MENÚ

En el modo FM / DAB es un menú de opciones:

1. Presione MENU (13) (17 en el control remoto) para acceder al menú.
2. Pulse SKIP +/- (16/17) (12/13 en el control remoto) para desplazarse por las opciones.
3. Pulse ENTER (9) (16 en el control remoto) para seleccionar un elemento.
4. Presione MENU (13) (17 en el control remoto) para salir del menú.

AJUSTES

En el modo FM / DAB, pulse MENU (13) (17 en el mando) y seleccione SYSTEM:

- Language: seleccione esta opción para cambiar el idioma del sistema.
- Factory Reset: seleccione esta opción para restablecer el dispositivo a la configuración de fábrica.
- Software Upgrade: seleccione esta opción para instalar el nuevo software.
- SW version: seleccione esta opción para mostrar la versión actual del software.

MODO DAB

Pulse MODE (8) (5 en el mando a distancia) para seleccionar el modo DAB.

Pulse SKIP +/- (16/17) (12/13 en el control remoto) para seleccionar un programa.

MENÚ DAB

Presione MENU (13) (17 en el mando a distancia) para acceder a las siguientes opciones:

- Full scan: seleccione esta opción para iniciar un análisis completo de los programas DAB disponibles. Puede pulsar SCAN (10) para realizar la misma acción.
- Manual Tune: seleccione esta opción para seleccionar manualmente la frecuencia.
- DRC: Seleccione esta opción para elegir entre las opciones de la RDC.
- Prune: seleccione esta opción para elegir si desea o no activar las estaciones de ciruela pasa.

PREAJUSTE

Se pueden programar hasta un máximo de 20 presintonías.

1. Mantenga pulsada la tecla PRESET (11) (19 en el control remoto). Aparecerá en la pantalla grabará el preset. Pulse SKIP +/- (16/17) (12/13 en el control remoto) para seleccionar el número de memorización. Pulse ENTER (9) (16 en el control remoto) para confirmar.
2. Pulse PRESET (11) (19 en el mando a distancia) para navegar a través de las emisoras memorizadas.

INFO DAB

Pulse INFO (12) (18 en el control remoto) para ver la siguiente información: NOMBRE DEL PROGRAMA / KBPS / fecha / hora.

MODO FM

Pulse MODE (8) (5 en el mando a distancia) para seleccionar el modo FM.

Gire el control de frecuencia (7) para seleccionar manualmente la frecuencia.

MENÚ FM

Presione MENU (13) (17 en el mando a distancia) para acceder a las siguientes opciones:

- Scan Setting: Seleccione esta opción para elegir si desea buscar sólo las emisoras más poten-

tes (estaciones fuertes) o todas las estaciones (todas las estaciones)

- Audio Setting: seleccione esta opción para elegir si desea utilizar solamente MONO (mono forzado) o si se debe permitir el uso de STEREO.

PREAJUSTE

Vea las instrucciones para la DAB PRESET.

INFO FM

Pulse INFO (12) (18 en el control remoto) para ver la siguiente información: Tipo de programa / FRECUENCIA / AUDIO / fecha / hora.

ESCUCHA LA CINTA

1. Pulse MODE (8) (5 en el mando a distancia) para seleccionar el modo TAPE.
2. Inserte una cinta en la unidad. El dispositivo se iniciará la reproducción del videocasete cuando se inserta.
3. Presione FFD/EJ (27) hasta la mitad durante la reproducción. La cinta avanzará rápidamente. Presione suavemente FFD/EJ (27) para reanudar la reproducción.
4. Pulse FFD/EJ (27) a fondo para quitar el cassette de la TAPE MECANISMOS (26).

LA REPRODUCCIÓN DE CD

1. Pulse MODE (8) (5 en el mando a distancia) para seleccionar el modo CD.
2. Presione SOPORTE DE CD OPEN / CLOSE (19) (2 en el control remoto) para abrir la bandeja del CD. Coloque un CD con la cara impresa hacia arriba en el interior del compartimento, a continuación, cerrarla. La primera pista se reproducirá automáticamente.
- Presione SKIP +/- (16/17) (12/13 en el control remoto) para seleccionar las pistas deseadas. Si mantiene pulsado SKIP +/- (16/17) (10/11 en el control remoto), la pista que se está reproduciendo fluirá rápidamente en la dirección seleccionada hasta que se suelta el botón.
- Presione PLAY/PAUSE (14) (9 en el control remoto) para pausar la reproducción. El número de pista parpadeará. Pulse de nuevo PLAY/PAUSE (14) (9 en el control remoto) para continuar el juego
- Presione STOP (15) (6 en el control remoto) para detener la reproducción.

MODO REPETICIÓN

Durante la reproducción, presione repetidamente (7) en el control remoto en el mando a distancia para seleccionar:

- REPEAT1: La pista actual se reproducirá repetidamente.
- RepeatFolder: La carpeta actual se reproducirá continuamente.
- RepeatAll: Todas las pistas se reproducirá continuamente.

PROGRAMACIÓN DE CD

Puede programar hasta 99 pistas para reproducirlas en cualquier orden.

1. Inserte un CD y pulse STOP (15) (6 en el control remoto) cuando se inicia la reproducción.
2. Prensa (8) en el control remoto. En la pantalla aparece "P01".
3. Presione SKIP +/- (16/17) (12/13 en el control remoto) para seleccionar las pistas deseadas.
4. Prensa (8) en el control remoto para entrar en la pista en la línea de programación. En la pantalla aparece "P02".
5. Repita los pasos 3-4 para seleccionar y programar todas las pistas que desee.
6. Presione PLAY/PAUSE (14) (9 en el control remoto) para iniciar la reproducción del programa.
7. Presione STOP (15) (6 en el control remoto) una vez para detener la reproducción del programa. Presione STOP (15) (6 en el control remoto) de nuevo para cancelar la programación actual.

FUNCIÓN TOCADISCOS

MUY IMPORTANTE!

Para evitar daños causados por el transporte, un tornillo de transporte se coloca en la esquina superior derecha de la mesa giratoria. Antes de empezar a jugar, utilizar un destornillador para apretar completamente el tornillo (en sentido horario). En el caso del transporte recordar que desatornillar el tornillo (hacia la izquierda).

1. Pulse MODE (8) (5 en el mando a distancia) para seleccionar el modo CD.
2. Abra la cubierta de la torreta. Retire la llave de brazo y el protector de la aguja. Coloque un disco en el plato. Coloque el adaptador en el caso de utilizar un disco de 17 cm.
3. Ubicado SELECTOR DE VELOCIDAD 33/45/78 RPM (32) en 33/45/78 rpm dependiendo del disco para jugar.
4. Levantar el brazo con la palanca. Mueva el principio del brazo del disco, o el comienzo de una pista particular. Lentamente baje la aguja en el disco mediante el uso de la palanca.
5. Cuando al final del disco, la reproducción se detendrá y el brazo volverá automáticamente a la posición inicial. Para detener la reproducción manualmente, levante el brazo del registro y traerlo de vuelta a la posición inicial.
6. Mover o agitar el dispositivo sin bloquear el brazo podría dañar el mecanismo. Ponga la tapa en el lápiz cuando no esté en uso.

AUX-IN

Esta unidad está equipada con un 3,5 mm de entrada AUX permite conectar dispositivos externos de audio y reproducir música a través de los altavoces de esta unidad.

1. Utilice un cable de audio a las tomas RCA en al menos un extremo del cable. Conecte un extremo a la salida de audio del dispositivo externo y el otro extremo a la toma AUX de esta unidad.
2. Encienda esta unidad y el dispositivo externo. Pulse MODE (8) (5 en el mando a distancia) para seleccionar el modo AUX.
3. Iniciado la reproducción de música desde el dispositivo externo (consulte el manual del usuario del dispositivo).

FUNCIÓN BLUETOOTH

1. Pulse MODE (8) (5 en el mando a distancia) para seleccionar el modo BT.
2. Seleccionar desde su dispositivo móvil (smartphone, tablet ...) el nombre del dispositivo Bluetooth HIF-1996D+BT, a continuación, confirmar la conexión.
3. Cuando se complete la conexión, el LED deja de parpadear.
4. Ahora se puede transferir música al HIF-1996D+BT y todas las operaciones se pueden realizar directamente desde el dispositivo.

REPRODUCCIÓN DEL DISPOSITIVO USB

1. Inserte el dispositivo USB en la toma.
2. Pulse MODE (8) (5 en el mando a distancia) para seleccionar el modo USB.
3. El dispositivo de lectura se iniciará automáticamente después de la conexión.
4. Utilice los mismos pasos para ver el CD para reproducir un dispositivo USB.

CANCELACIÓN USB

1. Durante la reproducción, mantenga pulsado REC (18) (4 en el control remoto). En la pantalla aparece "DEL".
2. Presione SKIP +/- (16/17) (12/13 en el control remoto) varias veces para seleccionar entre uno / FOL / ALL.
3. Presione REC (18) (4 en el control remoto) de nuevo para confirmar.

REGISTRO

1. Durante la reproducción de PHONO/TAPE/BLUETOOTH/AUX-IN, presione REC (18) (4 en el control remoto). En la pantalla aparece "REC". El indicador se encenderá. Las inscripciones ya están en marcha. Tenga en cuenta que la velocidad de grabación es de 1: 1.
2. Presione STOP (15) (6 en el control remoto) para detener la grabación.
3. La unidad creará una carpeta en el dispositivo USB que contiene todas las pistas grabadas.

CD

1. Presione REC (18) (3 en el control remoto).
2. Presione SKIP +/- (16/17) (12/13 en el control remoto) varias veces para seleccionar entre uno / FOLDER / ALL.
3. Press REC (18) (3 en el control remoto) de nuevo para

ESPECIFICACIONES TÉCNICAS

AC:	230 V ~ 50 Hz
FM:	87.5 - 108 MHz
DAB:	Band III

Las características técnicas están sujetas a cambios sin aviso previo.

ATENCIÓN



El símbolo de exclamación dentro un triángulo tiene el objeto de advertir al usuario de la presencia de instrucciones importantes de funcionamiento y mantenimiento en la documentación adjunta con el equipo.



El símbolo del rayo con punta de flecha dentro de un triángulo advierte al usuario de la presencia de tensiones peligrosas en el equipo.



Para reducir los riesgos de descargas eléctricas, no retire la cubierta. La unidad no hay en su exterior componentes que pueda manipular el usuario. Encargue su reparación a personal cualificado.

230v~



Esta unidad funciona con 230V ~ 50Hz. Cuando el equipo vaya a estar un tiempo prolongado sin utilizarse, desenchufar el cable de alimentación.



No conecte la unidad hasta que no se hayan efectuado todas las otras conexiones.



La unidad no debería ser expuesta a lluvia o humedad.



La unidad se debe instalar de forma que su posición no le impida tener ventilación adecuada. Por ejemplo, el equipo no se debe colocar cerca de cortinas o sobre el tapete, ni en una instalación como puede ser un armario.

La unidad no debería ser expuesta a la luz solar directa ni a fuentes emisora de calor.

ELIMINACIÓN CORRECTA DE ESTE PRODUCTO (material eléctrico y electrónico de descarte)



La presencia de esta marca en el producto o en el material informativo que lo acompaña, indica que al finalizar su vida útil no deberá eliminarse junto con otros residuos domésticos. Para evitar los posibles daños al medio ambiente o a la salud humana que representa la eliminación incontrolada de residuos, separe este producto de otros tipos de residuos y reciclelo correctamente para promover la reutilización sostenible de recursos materiales. Los usuarios particulares pueden contactar con el establecimiento donde adquirieron el producto, o con las autoridades locales pertinentes, para informarse sobre cómo y dónde pueden llevarlo para que sea sometido a un reciclaje ecológico y seguro. Los usuarios comerciales pueden contactar con su proveedor y consultar las condiciones del contrato de compra. Este producto no debe eliminarse mezclado con otros residuos comerciales.

PLAATS VAN DE CONTROLES

1. VOLUMEKNOP
2. LCD DISPLAY
3. STOFKAP
4. USB POORT
5. CD GLEUF
6. KIESSCHAAL
7. AFSTELKNOP
8. MODE
9. ENTER
10. SCAN
11. PRESET
12. INFO
13. MENU
14. SPEEL/PAUSE KNOP
15. STOPKNOP
16. SKIP-
17. SKIP+
18. OPNAMEKNOP
19. CD GLEUF OPEN/DICHT KNOP
20. DIENST GAT
21. HOOFDTELEFOONUITGANG
22. AUX INPUT
23. FM ANTENNE
24. ON / OFF KNOP
25. AC SNOER
26. CASSETTE MECHANISME
27. FFD/EJ
28. TRANSIT SCREW
29. AS ADAPTOR
30. DRAAITAFEL
31. TONE ARM
32. 33/45/78 TOEREN KIEZER

AFSTANDBEDIENING

1. AAN/UIT
2. CD GLEUF OPEN/DICHT KNOP
3. OPNAMEKNOP
4. VERWIJDERKNOP
5. MODE KNOP
6. STOPKNOP
7. HERHAALKNOP
8. PROGRAMMEERKNOP
9. SPEEL/PAUSE KNOP
10. FFD BUTTON
11. REWIND-KNOP
12. SKIP-
13. SKIP+
14. NUMERIEKE TOETSENBLOK
15. +10
16. ENTER
17. MENU
18. INFO
19. PRESET
20. TIMER

Druk herhaaldelijk op (5) op de afstandsbediening om DAB / FM / BT / CD / USB / AUX / PHONO / TAPE mode te kiezen.

STROOMVOORZIENING

Deze eenheid opereert vanuit een van de belangrijkste levering van 230V ~ 50Hz. Sluit het netsnoer aan op de AC huishouden belangrijkste afzetmarkt. Zorg ervoor dat de spanning zoals aangegeven op het typeplaatje aan de achterzijde van het apparaat.

Sluit het apparaat aan op de voeding. Schakel ON / OFF KNOP (24) ON positie om het apparaat aan te zetten. Schakel ON / OFF KNOP (24) op OFF om het toestel uit te schakelen.

Dit toestel heeft twee modi:

Standby-modus: Het display toont de huidige tijd, de luidsprekers en de achtergrondverlichting is uitgeschakeld.

Playback mode: De blauwe achtergrondverlichting is ingeschakeld en u kunt luisteren naar muziek.

Als er geen geluid wordt geproduceerd, schakelt het toestel automatisch na 15 minuten in de standby-modus.

Om te schakelen tussen WEERGAVESTAND en standby-modus, drukt u op PLAY / PAUSE (14) of druk op ON / OFF (1) op de afstandsbediening.

HET INSTELLEN VAN DE JUISTE TIJD

In standby-modus:

1. Houd de STOP (15) (6 op de afstandsbediening) ingedrukt. 12/24 cijfers zullen knipperen op het display. Druk herhaaldelijk op SKIP+/- (16/17) (12/13 op de afstandsbediening) om de juiste tijd in te stellen. Druk opnieuw STOP (15) (6 op de afstandsbediening) om te bevestigen.
2. De vier cijfers zullen knipperen op het display. Druk herhaaldelijk op SKIP+/- (16/17) (12/13 op de afstandsbediening) om de juiste tijd in te stellen. Druk opnieuw STOP (15) (6 op de afstandsbediening) om te bevestigen.
3. De minutencijfers zullen knipperen op het display. Druk herhaaldelijk op SKIP+/- (16/17) (12/13 op de afstandsbediening) om de juiste minuut in te stellen. Druk opnieuw STOP (15) (6 op de afstandsbediening) om te bevestigen.
4. De jaarcijfers zullen knipperen op het display. Druk herhaaldelijk op SKIP+/- (16/17) (12/13 op de afstandsbediening) om het juiste jaar in te stellen. Druk opnieuw STOP (15) (6 op de afstandsbediening) om te bevestigen.
5. De maandcijfers zullen knipperen op het display. Druk herhaaldelijk op SKIP+/- (16/17) (12/13 op de afstandsbediening) om de juiste maand in te stellen. Druk opnieuw STOP (15) (6 op de afstandsbediening) om te bevestigen.
6. De dagcijfers zullen knipperen op het display. Druk herhaaldelijk op SKIP+/- (16/17) (12/13 op de afstandsbediening) om de juiste dag in te stellen. Druk opnieuw STOP (15) (6 op de afstandsbediening) om te bevestigen.

HET INSTELLEN VAN HET ALARM

In standby-modus:

1. Houd de TIMER (20 op de afstandsbediening) ingedrukt. De vier cijfers zullen knipperen op het display. Druk herhaaldelijk op SKIP+/- (16/17) (12/13 op de afstandsbediening) om de juiste tijd in te stellen. Druk opnieuw TIMER (20 op de afstandsbediening) om te bevestigen.
2. De minutencijfers zullen knipperen op het display. Druk herhaaldelijk op SKIP+/- (16/17) (12/13 op de afstandsbediening) om de juiste minuut in te stellen. Druk opnieuw TIMER (20 op de afstandsbediening) om te bevestigen.
3. Druk SKIP+/- (16/17) (12/13 op de afstandsbediening) herhaaldelijk op om het alarm te kiezen: DAB / FM / CD / USB / TAPE. Druk opnieuw TIMER (20 op de afstandsbediening) om te bevestigen.
4. Druk TIMER (20 op de afstandsbediening) om het alarm te activeren. Het alarm icoon verschijnt op het display. Zodra het alarm uur wordt bereikt zal het apparaat beginnen te spelen in de gekozen modus.
5. Druk TIMER (20 op de afstandsbediening) in de standby-modus om het alarm uit te schakelen. Het alarm icoon verdwijnt uit het display.

SLEEP

1. Door deze functie kun je gaan slapen terwijl je naar de Radio luistert.
2. Tijdens het luisteren naar muziek, druk herhaaldelijk op TIMER (20 op de afstandsbediening) om te kiezen uit OFF/15/30/45/60/75/90.
3. De Radio zal aan gaan en automatisch uitschakelen na de gekozen slaaptijd.

MENU NAVIGATIE

In FM/DAB-modus is er een opties-menu:

1. Druk op MENU (13) (17 op de afstandsbediening) om naar het menu te gaan.
2. Druk op SKIP+/- (16/17) (12/13 op de afstandsbediening) om tussen opties te rollen.
3. Druk op ENTER (9) (16 op de afstandsbediening) om een item te kiezen.
4. Opnieuw MENU indrukken (13) (17 op de afstandsbediening) om het menu te verlaten.

INSTELLINGEN

In FM/DAB-modus, druk op MENU (13) (17 op de afstandsbediening) en kies SYSTEM:

- Language: kies deze optie om een andere systeem-taal te kiezen.
- Factory reset: kies deze optie om het apparaat terug op de fabrieksinstellingen te zetten.
- Software Upgrade: kies deze optie om de nieuwe software te installeren.
- SW version: kies deze optie om de huidige software versie te krijgen.

DAB-MODUS

Druk herhaaldelijk op MODE (8) (5 op de afstandsbediening) om het DAB-modus te kiezen.
Druk op SKIP+/- (16/17) (12/13 op de afstandsbediening) om een programma te kiezen.

DAB MENU

Druk op MENU (13) (17 op de afstandsbediening) om naar de volgende opties te gaan:

- Full Scan: kies deze optie om een full scan van de beschikbare DAB-programma's te hebben.
Kan op SCAN (10) drukken voor dezelfde actie.
- Manual Tune: kies deze optie om handmatig de frequentie te kiezen.
- DRC: kies deze optie om een keuze tussen de DRC opties te maken.
- Prune: kies deze optie om de PRUNE stations in werking te stellen of niet te stellen.

PRESET

Kan worden geprogrammeerd tot hoogste 20 standaard stations.

- Houd ingedrukt PRESET (11) (19 op de afstandsbediening). PRESET STORE zal op het scherm verschijnen. Druk op SKIP+/- (16/17) (12/13 op de afstandsbediening) om het voorselectienummer te kiezen. Druk op ENTER (9) (16 op de afstandsbediening) om te bevestigen.
- Druk op PRESET (11) (19 op de afstandsbediening) om tussen de preselecteerde stations te surfen.

DAB INFO

Druk herhaaldelijk op INFO (12) (18 op de afstandsbediening) om de volgende informatie te bekijken: NAAM VAN HET PROGRAMMA / KBPS / DATE / TIME.

FM-MODUS

Druk herhaaldelijk op MODE (8) (5 op de afstandsbediening) om het FM-modus te kiezen.
Draai de FREQUENTIEREGELAAR (7) om handmatig de frequentie te kiezen.

FM-MENU

Druk op MENU (13) (17 op de afstandsbediening) om naar de volgende opties te gaan:

- Scan Setting: kies deze optie om alleen de sterke stations (strong stations) of alle stations (all stations) te kiezen.
- Audio Setting: kies deze optie om alleen MONO (forced mono) of STEREO modus te kiezen.

PRESET

Zie de DAB PRESET instructies.

FM INFO

Druk herhaaldelijk op INFO (12) (18 op de afstandsbediening) om de volgende informatie te bekijken: TYPE VAN HET PROGRAMMA / FREQUENTIE / AUDIO / DATE / TIME.

LUISTEREN NAAR TAPES

1. Druk herhaaldelijk op MODE (8) (5 op de afstandsbediening) om het TAPE-modus te kiezen.
2. Plaats een cassette in de machine. Het systeem start automatisch de weergave na het plaatsen van de cassette.
3. Druk op de FFD/EJ (27)-knop in de weergavestand tot de helft. De cassette wordt vervolgens snel doorgestuurd. Druk op de FFD/EJ (27) Tate weer iets om de weergave te hervatten.
4. Druk op de FFD/EJ (27)-knop helemaal in om de cartridge door de CASSETTE MECHANISME (26) te werpen.

CD'S

1. Druk herhaaldelijk op MODE (8) (5 op de afstandsbediening) om het CD-modus te kiezen.
2. Druk op de CD GLEUF OPEN/DICHT KNOP (19) (2 op de afstandsbediening) om de Cd lade te openen. Voer een Cd in met de bedrukte zijde naar boven gericht en sluit de lade. Het totale aantal tracks zal worden getoond op het display. De eerste track zal beginnen met afspelen.
- Druk op SKIP +/- (16/17) (12/13 op de afstandsbediening) om uw favoriete liedjes te selecteren. Als je SKIP +/- (16/17) (10/11 op de afstandsbediening) te houden, de huidige nummer zal snel vooruit of achteruit totdat u de toets loslaat.
- Druk PLAY/PAUSE (14) (9 op de afstandsbediening) om het afspelen te onderbreken. Het nummer begint te knipperen. Druk nogmaals op PLAY/PAUSE (14) (9 op de afstandsbediening) om de weergave te hervatten.
- Druk STOP (15) (6 op de afstandsbediening) om het afspelen te stoppen.

HERHAALFUNCTIE

Tijdens het afspelen drukt u herhaaldelijk op de REPEAT knop (7) op de afstandsbediening om het volgende in te stellen:

- Repeat1: Het huidige nummer wordt herhaald.
- Repeatmap: De huidige map wordt herhaaldelijk afgespeeld.
- RepeatAll: Alle nummers worden herhaald.

CD DISC PROGRAMMERING

U kunt tot 99 nummers programmeren zodat deze worden afgespeeld in elke gewenste volgorde.

1. Plaats een disk en druk op de STOP (15) (6 op de afstandsbediening) wanneer het afspelen start.
2. Druk op de (8) op de afstandsbediening. Zal het scherm het woord te geven P01.
3. Druk op SKIP +/- (16/17) (12/13 op de afstandsbediening) om uw favoriete liedjes te selecteren.
4. Druk (8) op de afstandsbediening om de track op te slaan in het programme geheugen. Zal het scherm het woord te geven P02.
5. Herhaal de stappen 3-4 en sla alle gewenste nummers op.
6. Druk op PLAY/PAUSE (14) (9 op de afstandsbediening) om het geprogrammeerde afspelen te starten.
7. Druk eenmaal op de STOP (15) (6 op de afstandsbediening) om het geprogrammeerde afspelen te stoppen. Druk tweemaal op de STOP (15) (6 op de afstandsbediening) om het programma te wissen.

LUISTER VERSLAGEN

ZEER BELANGRIJK!

Om schade bij transport te voorkomen, is er een transportschroef voorzien rechts bovenaan aan het draaibare deel. Alvorens u begint af te spelen, draai de schroef met een schroevendraaier volledig in wijzerzin (schroef gaat neerwaarts). Vergeet niet om bij transport de schroef opnieuw tegen de wijzerzin te schroeven om schade te voorkomen.

1. Druk herhaaldelijk op MODE (8) (5 op de afstandsbediening) om het PHONO-modus te kiezen.
2. Open de kap van de platenspeler. Draai de veiligheid-overbrengingsschroef, die zich bovenop de platenspeler bevindt, los. Plaats een plaat op de centrale as van de platenspeler. Plaats de EP-adapter op de centrale as bij het beluisteren van EP's van 17 cm (45 toeren).
3. Stel de 33/45/78 TOEREN KIEZER (32) af op 33/45 of op 78 toeren, in overeenkomst met de plaat die wordt afgespeeld.
4. Hef de afspeelarm op met de hendel van de arm. Plaats de afspeelarm aan het begin van de plaat of aan het begin van een bepaalde track. Laat de arm uiterst voorzichtig op de plaat zakken met de hendel van de arm om te beginnen met het afspelen.
5. Als de opname klaar is, zal de arm automatisch stoppen en automatisch terugdraaien naar de rustpositie. Om de plaat te stoppen tijdens het afspelen, hef de afspeelarm op en plaats deze op de steun.
6. Het verplaatsen of schudden van de platenspeler zonder de beschermkap van de punt en de sluiting van de afspeelarm, kan leiden tot schade aan het apparaat. Plaats de beschermkap op de punt, wanneer deze niet in gebruik is.

AUX-IN

Dit apparaat biedt ook een aanvullende audio-jackingang om externe apparaten zoals MP3-spelers of CD-spelers te kunnen aansluiten en door de systeemluidsprekers te kunnen afspelen.

1. Gebruik een audiokabel (niet meegeleverd) met een RCA stereo-stekkers aan het ene uiteinde van de kabel. Steek de ene kant van de kabel in de AUX-IN-ingang van het apparaat en de andere kant in de LINE OUT of HEADPHONE-uitgang van uw externe audioapparaat.
2. Zet het apparaat en uw externe audioapparaat aan. Druk herhaaldelijk op MODE (8) (5 op de afstandsbediening) om het AUX-modus te kiezen.
3. Start met afspelen vanaf het externe apparaat (zie de handleiding van het externe apparaat).

DE WERKING VAN BLUETOOTH

1. Druk herhaaldelijk op MODE (8) (5 op de afstandsbediening) om het BT-modus te kiezen.
2. Kies een van uw draagbare apparaten (smartphone, tablet, ...), selecteert u het Bluetooth-ID, die wordt aangeduid als HIF-1996D+BT en bevestig de verbinding.
3. Als de koppeling slaagt de LED stopt met knipperen.
4. Nu kun je de muziek over te zetten in het HIF-1996D+BT en het uitvoeren van alles gewoon vanaf uw mobiele apparaat.

AFSPELEN VANAF EEN USB-APPARAAT

1. Steek de stekker van het USB-apparaat in de USB aansluiting.
2. Druk herhaaldelijk op MODE (8) (5 op de afstandsbediening) om het USB-modus te kiezen.
3. Het apparaat start automatisch op het USB-apparaat te lezen nadat deze is aangesloten.
4. Gebruik dezelfde procedure als bij CD om naar uw USB-apparaat te luisteren.

VERWIJDEREN

1. Tijdens afspelen, houd de REC (18) (4 op de afstandsbediening) ingedrukt. Zal het scherm het woord te geven DEL.
2. Druk herhaaldelijk op SKIP +/- (16/17) (12/13 op de afstandsbediening) om te kiezen uit ONE/FOL/ALL.
3. Druk opnieuw REC (18) (4 op de afstandsbediening) om te bevestigen.

OPNAME

1. Tijdens het luisteren naar een PHONO/TAPE/BLUETOOTH/AUX-IN/DAB, drukt REC (18) (4 op de afstandsbediening). Zal het scherm het woord te geven REC. De REC-indicator licht. Codering wordt nu uitgevoerd. Let op: de coderingssnelheid is 1:1.
2. Druk STOP (15) (6 op de afstandsbediening) om de opname te stoppen.
3. De unit zal een map in het USB-apparaat aanmaken, die alle opgenomen tracks bevat.

CD

1. Druk op de REC (18) (3 op de afstandsbediening).
2. Druk herhaaldelijk op SKIP +/- (16/17) (12/13 op de afstandsbediening) om te kiezen uit ONE/FOLDER/ALL.
3. Druk REC (18) (3 op de afstandsbediening) nogmaals op om de opname te starten.

TECHNISCHE SPECIFICATIES

AC:	230V ~ 50 Hz
FM:	88 - 108 MHz
DAB:	Band III

Kenmerken zijn zonder voorafgaande kennisgeving onderhevig aan veranderingen.

WAARSCHUWING

Het uitroepteken in een gelijkzijdige driehoek is bedoeld om de gebruiker erop attent te maken dat de gebruikershandleiding belangrijke instructies bevat voor het gebruik en het onderhoud.



De bliksemschicht in een gelijkzijdige driehoek is bedoeld om de gebruiker te waarschuwen voor de aanwezigheid van gevaarlijke spanning binnen in het apparaat.



Om het risico op elektrische schokken te reduceren, dient het apparaat niet te worden geopend. Het apparaat bevat geen onderdelen die gerepareerd kunnen worden door de gebruiker. In het geval van een defect dient contact opgenomen te worden met een gekwalificeerde technicus voor de reparatie.

230v~



Dit apparaat is ontworpen om te werken op 230v~ 50Hz. Als het apparaat voor een langere tijd niet gebruikt gaat worden, dient de stekker uit het stopcontact te worden gehaald.



Stel het apparaat niet bloot aan regen of vocht.



Gebruik het apparaat uitsluitend nadat is gecontroleerd dat alle aansluitingen correct zijn uitgevoerd.



Plaats het apparaat op een voldoende geventileerde plek. Plaats het apparaat niet in de buurt van gordijnen, op het tapijt of in in een stuk meubilair, zoals bijvoorbeeld een boekenkast.

Stel het apparaat niet bloot aan direct zonlicht of aan warmtebronnen.

**CORRECTE AFVALVERWERKING VAN HET PRODUCT
(elektrisch en elektronisch afval)**

Dit symbool dat staat weergegeven op het product en in de documentatie ervan, duidt erop dat het product niet kan worden weggegooid met het gewone huisvuil aan het einde van de levensduur. Om schade aan het milieu of aan de gezondheid door ongepaste afvalverwijdering te voorkomen, dient de gebruiker dit product te scheiden van andere soorten afval op verantwoorde wijze ter bevordering van duurzaam hergebruik van de materiële hulpbronnen. De thuisgebruiker dient contact op te nemen met de verkoper van het apparaat of met de lokale gemeente voor informatie met betrekking tot het scheiden en recyclen van dit type product. Zakelijke gebruikers dienen contact op te nemen met hun leverancier en de algemene voorwaarden van de verkoopovereenkomst te raadplegen. Dit product dient niet te worden gemengd met ander bedrijfsafval voor de verwijdering.

ROZMÍSTĚNÍ OVLÁDÁNÍ

1. OVLÁDÁNÍ HLASITOSTI
2. LCD DISPLEJ
3. OBAL
4. USB PORT
5. CD DVÍŘKA
6. STUPNICE
7. KNOFLÍK LADĚNÍ
8. MODE
9. ENTER
10. SCAN
11. PRESET
12. INFO
13. MENU
14. TLAČÍTKO PŘEHRÁVÁNÍ/PAUSA
15. TLAČÍTKO STOP
16. TLAČÍTKO PŘESKOČIT -
17. TLAČÍTKO PŘESKOČIT +
18. TLAČÍTKO NAHRÁVÁNÍ
19. OTVÍRÁNÍ / ZAVÍRÁNÍ CD DVÍŘEK
20. SERVISNÍ OTVOR
21. VÝSTUP PRO SLUCHÁTKA
22. AUX VSTUP
23. FM ANTÉNA
24. ON/OFF PŘEPÍNAČ
25. AC CORD
26. KAZETOVÁ MECHANIKA
27. FFD/EJ
28. TRANSIT SCREW
29. ADAPTÉR PRO VYROVNÁNÍ JEHLY GRAMOFONU
30. TALÍŘ
31. RAMENO PŘENOSKY
32. 33/45/78 RPM VÝBĚR RYCHLOSTI

DÁLKOVÉ OVLÁDÁNÍ

1. ZAPNUTÍ / VYPNUTÍ
2. CD DOOR OPEN/CLOSE TLAČÍTKO
3. TLAČÍTKO NAHRÁVAT
4. TLAČÍTKO SMAZAT
5. TLAČÍTKO REŽIM
6. TLAČÍTKO STOP
7. TLAČÍTKO OPAKOVAT
8. TLAČÍTKO PROGRAM
9. TLAČÍTKO PLAY/PAUSE
10. TLAČÍTKO RYCHLE VPŘED
11. TLAČÍTKO PŘETOČIT
12. TLAČÍTKO PŘESKOČIT -
13. TLAČÍTKO PŘESKOČIT +
14. NUMERICKÁ KLÁVESNICE
15. +10
16. ENTER
17. MENU
18. INFO
19. PRESET

20. TIMER

Stiskněte opakovaně (5) na dálkovém ovladači a vyberte režim DAB / FM / BT / CD / USB / AUX / PHONO / TAPE.

NAPÁJENÍ

Tento přístroj je určen pro síť 230V ~ 50Hz. Připojte napájecí kabel k elektrické zásuvce. Ensure that the voltage is as indicated on the rating plate on the rear of the unit. Ujistěte se, že napětí je stejné, jak je uvedeno na typovém štítku na zadní straně přístroje.

Pro zapnutí přístroje přepněte přepínač ON/OFF PŘEPÍNAČ (24) do pozice ON. Pro vypnutí přístroje přepněte přepínač ON/OFF PŘEPÍNAČ (24) do pozice OFF.

Tento přístroj disponuje dvěma režimy:

Standby: Displej ukazuje aktuální čas. Reprodukční a osvětlení pozadí jsou vypnuty.

Přehrávání: Modré osvětlení pozadí je zapnuto, lze poslouchat hudbu.

Pokud není hudba přehrávána, přístroj se po 15 minutách automaticky přepne do režimu Standby.

Chcete-li přepínat mezi režim přehrávání a pohotovostním režimem stiskněte a podržte tlačítko PLAY/PAUSE (14) nebo tlačítko ON/OFF (1) na dálkovém ovladači.

NASTAVENÍ UKAZATELE ČASU

V pohotovostním režimu:

1. Stiskněte a podržte STOP (15) (6 na dálkovém ovladači). Na displeji bliká „24.12“. Stiskněte opakovaně tlačítko SKIP+/- (16/17) (12/13 na dálkovém ovladači), abyste nastavili správnou hodinu. Ještě jednou stiskněte STOP (15) (6 na dálkovém ovladači).
2. Na displeji bliká ukazatel hodin. Stiskněte opakovaně tlačítko SKIP+/- (16/17) (12/13 na dálkovém ovladači), abyste nastavili správnou hodinu. Ještě jednou stiskněte STOP (15) (6 na dálkovém ovladači).
3. Na displeji bliká ukazatel minuta. Stiskněte opakovaně tlačítko SKIP+/- (16/17) (12/13 na dálkovém ovladači), abyste nastavili správnou minutu. Ještě jednou stiskněte STOP (15) (6 na dálkovém ovladači).
4. Na displeji bliká ukazatel věk. Stiskněte opakovaně tlačítko SKIP+/- (16/17) (12/13 na dálkovém ovladači), abyste nastavili správnou věk. Ještě jednou stiskněte STOP (15) (6 na dálkovém ovladači).
5. Na displeji bliká ukazatel měsíce. Stiskněte opakovaně tlačítko SKIP+/- (16/17) (12/13 na dálkovém ovladači), abyste nastavili správnou měsíce. Ještě jednou stiskněte STOP (15) (6 na dálkovém ovladači).
6. Na displeji bliká ukazatel dny. Stiskněte opakovaně tlačítko SKIP+/- (16/17) (12/13 na dálkovém ovladači), abyste nastavili správnou dny. Ještě jednou stiskněte STOP (15) (6 na dálkovém ovladači).

NASTAVENÍ ALARMU

V pohotovostním režimu:

1. Stiskněte a podržte TIMER (20 na dálkovém ovladači). Na displeji bliká ukazatel hodin. Stiskněte opakovaně tlačítko SKIP+/- (16/17) (12/13 na dálkovém ovladači), abyste nastavili správnou hodinu. Ještě jednou stiskněte TIMER (20 na dálkovém ovladači).
2. Na displeji bliká ukazatel minuta. Stiskněte opakovaně tlačítko SKIP+/- (16/17) (12/13 na dálkovém ovladači), abyste nastavili správnou minutu. Ještě jednou stiskněte TIMER (20 na dálkovém ovladači).
3. Opakovaným stiskem tlačítka SKIP+/- (16/17) (12/13 na dálkovém ovladači) pro volbu režimu budíku: DAB / FM / CD / USB / magnetofon. Ještě jednou stiskněte TIMER (20 na dálkovém ovladači).
4. Stisknutím TIMER (20 na dálkovém ovladači) aktivovat alarm. Objeví se ikona budíku na displeji. Po dosažení alarm hodinový přístroj začne přehrávat ve zvoleném režimu.

5. Tisková TIMER (20 na dálkovém ovladači) v pohotovostním režimu pro vypnutí alarmu. Ikona budíku zmizí z displeje.

SLEEP

1. Díky této funkci můžete při poslechu reproduktoru usnout.
2. Při poslechu hudby, opakovaně stiskněte tlačítka TIMER (20 na dálkovém ovladači), čímž zvolíte mezi časem OFF/15/30/45/60/75/90.
3. Po Vámi zvoleném čase se pak sám vypne.

POHYB NABÍDKOU

V režimu FM / DAB je zde nabídka možností.

1. Stiskněte tlačítka MENU (13) (17 na dálkovém ovladači) pro přístup k volbám.
2. Stisknutím tlačítka SKIP +/- (16/17) (12/13 na dálkovém ovladači) pro vyhledání možností.
3. Stiskněte tlačítka ENTER (9) (16 na dálkovém ovladači) pro výběr volby.
4. Stisknutím tlačítka MENU (13) (17 na dálkovém ovladači) pro odchod z menu.

SYSTÉMOVÉ NASTAVENÍ

V režimu FM / DAB stiskněte tlačítka MENU (13) (17) na dálkovém ovladači a vyberte SYSTEM:

- Jazyk: Tato volba umožňuje změnit nastavení jazyka přístroje.
- Factory Reset: zvolte tuto možnost pro resetování zařízení do továrního nastavení.
- Software Upgrade: zvolte, pokud nová verze softwaru je zastaralá.
- SW version: zvolte tuto možnost pro náhled aktuální verze softwaru.

DAB REŽIM

Opakovaným stiskem tlačítka MODE (8) (5 na dálkovém ovladači) vyberete DAB režim. Stiskněte SKIP +/- (16/17) (12/13 na dálkovém ovladači) pro vyhledání programu.

DAB MENU (nabídka)

Stisknutím tlačítka MENU (13) (17 na dálkovém ovladači) pro přístup k nastavením.

- Full Scan: možnost provést úplnou kontrolu dostupných programů DAB. Můžete stisknout tlačítka SCAN (10) k provádění stejné akce.
- Manual Tune: manuální ladění DAB frekvencí.
- DRC: vyberte mezi DRC low (nízká), DRC high (vysoká) a DRC off (vypnout).
- Prune – omezený výběr: tato volba umožňuje zapnout (ON) nebo vypnout (OFF) omezený výběr stanic

DAB PRESET (přednastavení)

Naprogramovat lze maximálně 20 předvoleb rádiových stanic.

- Stisknutím a podržením PRESET (11) (19 na dálkovém ovladači) se zobrazí PRESET STORE na displeji. Stiskněte SKIP +/- (16/17) (12/13 na dálkovém ovladači) vyberte číslo předvolby. Stiskněte ENTER (9) (16 na dálkovém ovladači) pro potvrzení.
- Stisknutím tlačítka PRESET (11) (19 na dálkovém ovládání) procházejte předvolby.

DAB INFO

Opakovaně stiskněte tlačítka INFO (12) (18 na dálkovém ovladači) a zobrazí se následující informace: NAME /KBPS / DATE / TIME (jméno/KBPS/datum/ čas).

FM LADĚNÍ

Stiskněte tlačítka MODE (8) (5 na dálkovém ovladači) vyberte režim FM.

Manuálním otáčením knoflíku TUNING (7) nastavíte frekvenci.

FM MENU

Stisknutím tlačítka MENU (13) (17 na dálkovém ovladači) aktivujete přístup k nastavením

- Scan Setting –Nastavení snímání: zvolte možnost mezi laděním všech stanic nebo jen silné signálem.
- Audio Setting - Nastavení zvuku: zvolte mezi mono audio nebo allowing stereo zvuky.

FM PRESET

Viz DAB PRESET pokyny.

FM INFO

Opakovaně stiskněte tlačítka INFO (12) (18) na dálkovém ovladači, zobrazí se následující informace: KIND OF PROGRAM / FREQUENCY / AUDIO / DATE / TIME (typ programu / frekvence / audio / data / času)

PŘEHRÁVÁNÍ MAGNETOFONU

1. Stiskněte tlačítka MODE (8) (5 na dálkovém ovladači) vyberte režim TAPE.
2. Vložte kazetu do přístroje. Po zasunutí kazety začne systém automaticky přehrávat.
3. Stiskněte během přehrávání zpola tlačítka FFD/EJ (27). Páska se převíjí vpřed. Pro obnovení přehrávání lehce stiskněte tlačítka FFD/EJ (27) znovu.
4. Po úplném stisknutí tlačítka FFD/EJ (27) se kazeta vysune KAZETOVÁ MECHANIKA (26).

PŘEHRÁVÁNÍ KOMPAKTNÍHO DISKU

1. Stiskněte tlačítka MODE (8) (5 na dálkovém ovladači) vyberte režim CD.
2. Na displeji se zobrazí počet všech skladeb. Stisknutím OTVÍRÁNÍ / ZAVÍRÁNÍ CD DVÍŘEK (19) (2 na dálkovém ovladači) se otevřou dvířka cd přehrávače. Vložte CD potisknutou stranou vzhůru do podavače a zavřete dvířka. Začne se přehrávat první skladba.
- Pro výběr své oblíbené melodie stiskněte tlačítka SKIP +/- (16/17) (12/13 na dálkovém ovladači). Pokud držíte tlačítka SKIP +/- (16/17) (10/11 na dálkovém ovladači), přehrávaná skladba se rychle přetočí zpět či vpřed, dokud opět tlačítka nepustíte.
- Pro pozastavení přehrávání stiskněte PLAY/PAUSE (14) (9 na dálkovém ovladači). Číslo stopy začne blikat. Pro obnovení přehrávání stiskněte PLAY/PAUSE (14) (9 na dálkovém ovladači).
- Přehrávání zastavíte stisknutím STOP (15) (6 na dálkovém ovladači).

REŽIM OPAKOVÁNÍ

Pro výběr režimu stiskněte na dálkovém ovládání během přehrávání tlačítka (7) na dálkovém ovladači:

- Opakovat1: Aktuální skladba se bude přehrávat opakovaně.
- OpakovatAdresář: Aktuální složka se bude přehrávat opakovaně.
- OpakovatVše: Všechny skladby se budou přehrávat opakovaně.

PROGRAMOVÁNÍ CD

Pro přehrávání můžete naprogramovat až 99 skladeb v jakémkoliv požadovaném pořadí.

1. Vložte disk a zatím, co se začíná přehrávat, stiskněte STOP (15) (6 na dálkovém ovladači).
2. Stiskněte (8) na dálkovém ovladači. Na displeji se objeví "P01".
3. Pro výběr vašich oblíbených melodií stiskněte SKIP +/- (16/17) (12/13 na dálkovém ovladači).
4. Stiskněte (8) na dálkovém ovladači pro uložení stopy do paměti programu. Na displeji se objeví "P02".
5. Pro výběr všech vybraných skladeb opakujte kroky 3-4.
6. Program spustíte stiskem PLAY/PAUSE (14) (9 na dálkovém ovladači).
7. Pro zastavení programu stiskněte STOP (15) (6 na dálkovém ovladači) jednou. Pro smazání programu stiskněte STOP (15) (6 na dálkovém ovladači) dvakrát.

POSLECH GRAMOFONOVÝCH DESEK

VELMI DŮLEŽITÉ!

Na horní pravé straně točny platformy je pro zabránění poškození z přepravy umístěn tranzitní šroub.. Předtím, než začnete přehrávat, utáhněte ve směru hodinových ručiček pomocí šroubováku tranzitní šroub(šroub jde dolů). Aby se zabránilo škodám, nezapomeňte tento šroub v případě přepravy znovu otočit proti směru hodinových ručiček.

1. Stiskněte tlačítko MODE (8) (5 na dálkovém ovladači) vyberte režim PHONO.
2. Otevřete víko gramofonu. Uvolněte rameno přenosky a odstraňte kryt jehly. Položte desku na talíř přes středový trn. Pokud přehráváte 17cm EP desky, vložte na střed EP adaptér.
3. V závislosti na desce nastavte pomocí 33/45/78 RPM VÝBĚR RYCHLOSTI (32) na 33 / 45 / 78 ozm.
4. Zvedněte přenosku pomocí páčky. Položte přenosku na začátek desky, nebo na začátek určité skladby. Pro přehrávání jemně spusťte přenosku pomocí páčky na desku.
5. Po ukončení přehrávání se přenoska zastaví a automaticky vrátí na podstavec. Pro manuálním ukončení přehrávání zvedněte přenosku a dejte na podstavec.
6. Přesouvání nebo prudký pohyb talíře bez zajištění přenosky, může vést k poškození přenosky. Vraťte ochranný kryt na jehlu, pokud se nepoužívá.

AUX VSTUP

Do přístroje lze pomocí audio vstupu zapojit externí zařízení, jako jsou MP3 přehrávače, CD přehrávače.

1. Umožňuje přehrávání externího zdroje prostřednictvím systému reproduktorů. Použijte audio kabel (není součástí dodávky) s RCA stereo zástrčkou na jednom konci kabelu. Zapojte jeden konec do zdířky AUX-IN na hlavní jednotce a druhý konec kabelu do LINE OUT nebo konektoru sluchátek externího audio zařízení.
2. Zapněte přístroj a externí audio zařízení. Stiskněte tlačítko MODE (8) (5 na dálkovém ovladači) vyberte režim AUX.
3. Spusťte přehrávání externího zařízení (viz uživatelská příručka externího zařízení).

BLUETOOTH

1. Stiskněte tlačítko MODE (8) (5 na dálkovém ovladači) vyberte režim BT.
2. Na vašem přenosném zařízení(chytrý telefon, tablet...) vyberte HIF-1996D+BT, potvrďte připojení.
3. Je-li párování úspěšné, LED přestane blikat.
4. Nyní můžete přenést hudbu do HIF-1996D+BT. Veškeré operace lze ovládat pouze z mobilního zařízení.

PŘEHŘÁVÁNÍ Z USB

1. Vložte konektor USB zařízení do portu USB.
2. Stiskněte tlačítko MODE (8) (5 na dálkovém ovladači) vyberte režim USB.
3. Přístroj automaticky jednotku načte ihned po zapojení.
4. Použijte stejný postup jako u CD poslechu USB / SD zařízení.

SMAZÁNÍ USB

1. Zmačkněte a držte během přehrávání REC (18) (4 na dálkovém ovladači). "DEL" will be shown on the display.
2. Stiskněte SKIP +/- (16/17) (12/13 na dálkovém ovladači) opakovaně pro výběr ONE/FOLDER/ALL.
3. Pro potvrzení stiskněte REC (18) (4 na dálkovém ovladači) znovu.

FUNKCE NAHRÁVÁNÍ

1. Během poslechu PHONO/TAPE/BLUETOOTH/AUX-IN/DAB, stiskněte REC (18) (4 na dálkovém ovladači). Na displeji se zobrazí "REC". Dioda nahrávání se rozsvítí. Kódování nyní probíhá. Mějte na paměti, že rychlost kódování je 1:1.
2. Pro zastavení nahrávání stiskněte STOP (15) (6 na dálkovém ovladači).
3. Přístroj vytvoří na USB zařízení adresář, který obsahuje všechny nahrané skladby.

CD

1. Stiskněte REC (18) (3 na dálkovém ovladači).
2. Pro výběr mezi ONE/FOLDER/ALL opakovaně stiskněte SKIP +/- (16/17) (12/13 na dálkovém ovladači).
3. Pro nahrávání stiskněte Press REC (18) (3 na dálkovém ovladači) ještě jednou.

TECHNICKÉ ÚDAJE

AC: 230V ~ 50 Hz

FM: 88 - 108 MHz

DAB: Band III

Změny designu a technických údajů vyhrazeny bez předchozího oznámení.

UPOZORNĚNÍ



Vykřičník uvnitř trojúhelníka na zadní straně skříňky přístroje upozorňuje uživatele na důležité pokyny pro obsluhu a ošetřování přístroje, uvedené v jeho doprovodné dokumentaci. čeština



Symbol blesku uvnitř trojúhelníka na zadní straně skříňky přístroje upozorňuje uživatele na existenci životu nebezpečného napětí na některých dílech uvnitř skříňky přístroje.



Nevyjímejte přístroj ze skříňky – riziko úrazu elektrickým proudem. Uvnitř skříňky nejsou díly, které by mohl opravit nebo seřídit jeho uživatel bez odpovídajícího vybavení a kvalifikace. Bude-li přístroj vyžadovat seřízení nebo opravu kontaktujte odborný servis. Zásahem do přístroje v době platnosti záruky se vystavujete riziku ztráty event. záručních plnění.

230v~



Přístroj je konstruován pro napájení střídavým napětím 230 V / 50 Hz z elektrické sítě. Pokud nebudete přístroj delší dobu používat odpojte jej od elektrické sítě vyjmutím vidlice síťového kabelu přístroje ze síťové zásuvky.



Chraňte přístroj před zmoknutím, postříkáním nebo politím jakoukoliv kapalinou.



Vypnutím přístroje není přístroj odpojen od elektrické sítě. Pro odpojení přístroje od elektrické sítě vyjměte vidlici síťového kabelu přístroje ze síťové zásuvky. Před zapnutím přístroje přezkontrolujte všechna připojení k přístroji.



Neumísťujte přístroj na přímém slunci nebo v blízkosti zdrojů tepla. Vysokými teplotami je významně zkracována životnost elektronických dílů přístroje.

POKYNY PRO SPRÁVNOU LIKVIDACI VÝROBKU (likvidaci použitých elektrických a elektronických zařízení)



Tento symbol na výrobku, jeho příslušenství nebo obalu označuje, že při pozdější likvidaci výrobku (z jakýchkoliv důvodů) nesmí být s výrobkem zacházeno jako s domovním odpadem. Výrobek zlikvidujte jeho předáním na sběrné místo pro likvidaci použitých elektrických a elektronických zařízení šetrnou k životnímu prostředí. Zajištěním jejich správné likvidace zabráníte vzniku potenciálních rizik pro životní prostředí a lidské zdraví, která by mohla vzniknout nesprávným zacházením s odpady. Kromě toho recyklace odpadových materiálů napomáhá udržení přírodních zdrojů surovin pro příští generace. Podrobné informace k likvidaci tohoto výrobku šetrné k životnímu prostředí získáte u pracovníka ochrany životního prostředí místního (městského nebo obvodního) úřadu nebo v prodejně, ve které jste výrobek zakoupili.

ROZMIESTNENIE OVLÁDANIA

1. OVLÁDANIE HLASITOSTI
2. LCD DISPLEJ
3. OBAL
4. USB PORT
5. CD DVIERKA
6. STUPNICA
7. GOMBÍK LADENIA
8. MODE
9. ENTER
10. SCAN
11. PRESET
12. INFO
13. MENU
14. TLAČIDLO PREHRÁVANIA / PAUSA
15. TLAČIDLO STOP
16. TLAČIDLO PRESKOČIŤ -
17. TLAČIDLO PRESKOČIŤ +
18. TLAČIDLO NAHRÁVANIA
19. OTVÁRANIE / ZATVÁRANIE CD DVIEROK
20. SERVISNÁ OTVOR
21. VÝSTUP PRE SLÚCHADLÁ
22. AUX VSTUP
23. FM ANTÉNA
24. ON / OFF PREPÍNAČ
25. AC CORD
26. KAZETOVÚ MECHANIKU
27. FFD / EJ
28. TRANSIT SCREW
29. ADAPTÉR VYROVNANIA IHLY GRAMOFÓNY
30. TALÍŘ
31. RAMENA PRENOSKY
32. 33/45/78 RPM VÝBER RÝCHLOSTI

DIAL'KOVÉ OVLÁDANIE

1. ZAPNUTIE / VYPNUTIE
2. CD DOOR OPEN / CLOSE TLAČIDLO
3. TLAČIDLA NAHRÁVAŤ
4. TLAČIDLO SMAZAT
5. TLAČIDLO REŽIM
6. TLAČIDLO STOP
7. TLAČIDLO OPAKOVAŤ
8. TLAČIDLO PROGRAM
9. TLAČIDLO PLAY / PAUSE
10. TLAČIDLO RÝCHLO VPRED
11. TLAČIDLO PRETOČIŤ
12. TLAČIDLO PRESKOČIŤ -
13. TLAČIDLO PRESKOČIŤ +
14. NUMERICKÉ KLÁVESNICA
15. +10
16. ENTER
17. MENU
18. INFO

- 19. PRESET
- 20. TIMER

Stlačte opakovane (5) na diaľkovom ovládači a vyberte režim DAB / FM / BT / CD / USB / AUX / PHONO / TAPE.

NAPÁJANIE

Tento prístroj je určený pre sieť 230V ~ 50Hz. Pripojte napájací kábel k elektrickej zásuvke. Ensure that the voltage is as indicated on the rating plate on the rear of the unit. Ujistěte sa, že napätie je rovnaké, ako je uvedené na štítku na zadnej strane prístroja.

Pre zapnutie prístroja prepnite prepínač ON / OFF PREPÍNAČ (24) do pozície ON. Pre vypnutie prístroja prepnite prepínač ON / OFF PREPÍNAČ (24) do pozície OFF.

Tento prístroj disponuje dvoma režimami:

Standby: Displej ukazuje aktuálny čas. Reproduktor a osvetlenie pozadia sú vypnuté.

Prehrávanie: Modré osvetlenie pozadia je zapnuté, je možné počúvať hudbu.

Pokiaľ nie je hudba prehrávaná, prístroj sa po 15 minútach automaticky prepne do režimu pohotovosti.

Ak chcete prepínať medzi režim prehrávania a pohotovostnom režime stlačte a podržte tlačidlo PLAY/PAUSE (14) alebo tlačidlo ON/OFF (1) na diaľkovom ovládači.

NASTAVENIE UKAZOVATELE ČASU

V pohotovostnom režime:

1. Stlačte a podržte STOP (15) (6 na diaľkovom ovládači). Na displeji bliká "24.12". Stláčaním SKIP +/- (16/17) (12/13 na diaľkovom ovládači) chcete nastaviť správnu hodinu. Ešte raz stlačte STOP (15) (6 na diaľkovom ovládači).
2. Na displeji bliká ukazovateľ hodín. Stláčaním SKIP +/- (16/17) (12/13 na diaľkovom ovládači) chcete nastaviť správnu hodinu. Ešte raz stlačte STOP (15) (6 na diaľkovom ovládači).
3. Na displeji bliká ukazovateľ minúta. Stláčaním SKIP +/- (16/17) (12/13 na diaľkovom ovládači) chcete nastaviť správnu minútu. Ešte raz stlačte STOP (15) (6 na diaľkovom ovládači).
4. Na displeji bliká ukazovateľ vek. Stláčaním SKIP +/- (16/17) (12/13 na diaľkovom ovládači) chcete nastaviť správnu vek. Ešte raz stlačte STOP (15) (6 na diaľkovom ovládači).
5. Na displeji bliká ukazovateľ mesiaca. Stláčaním SKIP +/- (16/17) (12/13 na diaľkovom ovládači) chcete nastaviť správnu mesiac. Ešte raz stlačte STOP (15) (6 na diaľkovom ovládači).
6. Na displeji bliká ukazovateľ dni. Stláčaním SKIP +/- (16/17) (12/13 na diaľkovom ovládači) chcete nastaviť správnu dni. Ešte raz stlačte STOP (15) (6 na diaľkovom ovládači).

NASTAVENIE ALARMU

V pohotovostnom režime:

1. Stlačte a podržte TIMER (20 na diaľkovom ovládači). Na displeji bliká ukazovateľ hodín. Stláčaním SKIP +/- (16/17) (12/13 na diaľkovom ovládači) chcete nastaviť správnu hodinu. Ešte raz stlačte TIMER (20 na diaľkovom ovládači).
2. Na displeji bliká ukazovateľ minúta. Stláčaním SKIP +/- (16/17) (12/13 na diaľkovom ovládači) chcete nastaviť správnu minútu. Ešte raz stlačte TIMER (20 na diaľkovom ovládači).
3. Stláčaním SKIP +/- (16/17) (12/13 na diaľkovom ovládači) pre voľbu režimu budíka: DAB / FM / CD / USB / magnetofón. Ešte raz stlačte TIMER (20 na diaľkovom ovládači).
4. Stláčením TIMER (20 na diaľkovom ovládači) aktivovať alarm. Objaví sa ikona budíka na displeji. Po dosiahnutí alarm hodinový prístroj začne prehrávať vo zvolenom režime.
5. Tlačová TIMER (20 na diaľkovom ovládači) v pohotovostnom režime pre vypnutie alarmu. Ikona budíka zmizne z displeja.

SLEEP

1. Vďaka tejto funkcii môžete pri počúvaní reproduktora zaspáť.
2. Pri počúvaní hudby, opakovane stlačte tlačidla TIMER (20 na diaľkovom ovládači), čím zvolíte medzi časom OFF / 15/30/45/60/75/90.
3. Po vami zvolenom čase sa potom sám vypne.

POHYB PONUKOU

V režime FM / DAB je tu ponuka možností.

1. Stlačte tlačidlo MENU (13) (17 na diaľkovom ovládači) pre prístup k voľbám.
2. Stlačením tlačidla SKIP +/- (16/17) (12/13 na diaľkovom ovládači) pre vyhľadanie možností.
3. Stlačte ENTER (9) (16 na diaľkovom ovládači) pre výber voľby.
4. Stlačením tlačidla MENU (13) (17 na diaľkovom ovládači) pre odchod z menu.

SYSTÉMOVÉ NASTAVENIA

V režime FM / DAB stlačte tlačidlo MENU (13) (17) na diaľkovom ovládači a vyberte SYSTEM:

- Jazyk: Táto voľba umožňuje zmeniť nastavenie jazyka prístroja.
- Factory Reset: vyberte túto možnosť pre resetovanie zariadenia do továrenského nastavenia.
- Softvér Upgrade: vyberte, ak nová verzia softvéru je zastaraná.
- SW version: vyberte túto možnosť pre zobrazenie aktuálnej verzie softvéru.

DAB REŽIM

Opakovaným stlačením tlačidla MODE (8) (5 na diaľkovom ovládači) vyberiete DAB režim. Stlačte SKIP +/- (16/17) (12/13 na diaľkovom ovládači) pre vyhľadanie programu.

DAB MENU (ponuka)

Stlačením tlačidla MENU (13) (17 na diaľkovom ovládači) pre prístup k nastaveniam.

- Full Scan: možnosť vykonať úplnú kontrolu dostupných programov DAB. Môžete stlačiť tlačidlo SCAN (10) na vykonanie tej istej akcie.
- Manual Tune: manuálne ladenie DAB frekvencií.
- DRC: vyberte medzi DRC low (nízka), DRC high (vysoká) a DRC off (vypnúť).
- Prune - obmedzený výber: táto voľba umožňuje zapnúť (ON) alebo vypnúť (OFF) obmedzený výber staníc

DAB PRESET (prednastavenie)

Naprogramovať maximálne 20 predvolieb rozhlasových staníc.

1. Stlačením a podržaním PRESET (11) (19 na diaľkovom ovládači) sa zobrazí PRESET STORE na displeji. Stlačte SKIP +/- (16/17) (12/13 na diaľkovom ovládači) vyberte číslo predvoľby. Stlačte ENTER (9) (16 na diaľkovom ovládači) pre potvrdenie.
2. Stlačením tlačidla PRESET (11) (19 na diaľkovom ovládaní) prechádzajte predvoľby.

DAB INFO

Opakovane stlačte tlačidlo INFO (12) (18 na diaľkovom ovládači) a zobrazí sa nasledujúce informácie: NAME / KBPS / DATE / TIME (meno / KBPS / dátum / čas).

FM LADENIE

Stlačte tlačidlo MODE (8) (5 na diaľkovom ovládači) vyberte režim FM. Manuálnym otáčaním gombíka TUNING (7) nastavíte frekvenciu.

FM MENU

Stlačením tlačidla MENU (13) (17 na diaľkovom ovládači) aktivujete prístup k nastaveniam

- Scan Setting -Nastavenie snímania: vyberte možnosť medzi ladením všetkých staníc alebo

len silné signálom.

- Audio Setting - Nastavenie zvuku: zvolíte medzi mono audio alebo allowing stereo zvuky.

FM PRESET

Pozri DAB PRESET pokyny.

FM INFO

Opakovane stlačte tlačidlo INFO (12) (18) na diaľkovom ovládači, zobrazí sa nasledujúce informácie: KIND OF PROGRAM / FREQUENCY / AUDIO / DATE / TIME (typ programu / frekvencia / audio / dátumu / času)

PREHRÁVANIE MAGNETOFÓNU

1. Stlačte tlačidlo MODE (8) (5 na diaľkovom ovládači) vyberte režim TAPE.
2. Vložte kazetu do prístroja. Po zasunutí kazety začne systém automaticky prehrávať.
3. Stlačte počas prehrávania spoločne tlačidlo FFD/EJ (27). Páska sa prevíja vpred. Pre obnovenie prehrávania zľahka stlačte tlačidlo FFD/EJ (27) znova.
4. Po úplnom stlačení tlačidla FFD/EJ (27) sa kazeta vysunie KAZETOVÚ MECHANIKU (26).

PREHRÁVANIE KOMPAKTNÉHO DISKU

1. Stlačte tlačidlo MODE (8) (5 na diaľkovom ovládači) vyberte režim CD.
 2. Na displeji sa zobrazí počet všetkých skladieb. Stlačením OTVÁRANIE / ZATVÁRANIE CD DVIEROK (19) (2 na diaľkovom ovládači) sa otvorí dvierka cd prehrávača. Vložte CD potlačenou stranou nahor do podávača a zatvorte dvierka. Začne sa prehrávať prvá skladba.
- Pre výber svojej obľúbenej melódie stlačte tlačidlá SKIP +/- (16/17) (12/13 na diaľkovom ovládači). Ak držíte tlačidlo SKIP +/- (16/17) (10/11 na diaľkovom ovládači), prehrávaná skladba sa rýchlo pretočí späť či vpred, kým opäť tlačidlo nepustíte.
 - Pre pozastavenie prehrávania stlačte PLAY/PAUSE (14) (9 na diaľkovom ovládači). Číslo stopy začne blikať. Pre obnovenie prehrávania stlačte PLAY/PAUSE (14) (9 na diaľkovom ovládači).
 - Prehrávanie zastavíte stlačením STOP (15) (6 na diaľkovom ovládači).

REŽIM OPAKOVANIA

Pre výber režimu stlačte na diaľkovom ovládaní počas prehrávania tlačidlo (7) na diaľkovom ovládači:

- Opakovať: Aktuálna skladba sa bude prehrávať opakovane.
- Opakovať Adresár: Aktuálna zložka sa bude prehrávať opakovane.
- Opakovať Vše: Všetky skladby sa budú prehrávať opakovane.

PROGRAMOVANIE CD

Pre prehrávanie môžete naprogramovať až 99 skladieb v akomkoľvek požadovanom poradí.

1. Vložte disk a zatiaľ, čo sa začína prehrávať, stlačte STOP (15) (6 na diaľkovom ovládači).
2. Stlačte (8) na diaľkovom ovládači. Na displeji sa objaví "P01".
3. Pre výber vašich obľúbených melódií stlačte SKIP +/- (16/17) (12/13 na diaľkovom ovládači).
4. Stlačte (8) na diaľkovom ovládači pre uloženie stopy do pamäti programu. Na displeji sa objaví "P02".
5. Pre výber všetkých vybraných skladieb opakujte kroky 3-4.
6. Program spustíte stlačením PLAY/PAUSE (14) (9 na diaľkovom ovládači).
7. Pre zastavenie programu stlačte STOP (15) (6 na diaľkovom ovládači) raz. Pre zmazanie programu stlačte STOP (15) (6 na diaľkovom ovládači) dvakrát.

POČÚVANIE GRAMOFÓNOVÝCH PLATNÍ

VEĽMI DÔLEŽITÉ!

Na hornej pravej strane točne platformy je pre zabránenie poškodenia z prepravy umiestnená tranzitná skrutka .. Predtým, než začnete prehrávať, utiahnite v smere hodinových ručičiek pomocou skrutkovača tranzitnú skrutku (skrutka ide dole). Aby sa zabránilo škodám, nezabudnite túto skrutku v prípade prepravy znova otočiť proti smeru hodinových ručičiek.

1. Stlačte tlačidlo MODE (8) (5 na diaľkovom ovládači) vyberte režim PHONO.
2. Otvorte veko gramofónu. Uvoľnite rameno prenosky a odstráňte kryt ihly. Položte dosku na tanier cez stredový trň. Ak prehrávate 17cm EP dosky, vložte na stred EP adaptér.
3. V závislosti na doske nastavte pomocou 33/45/78 RPM VÝBER RÝCHLOSTI (32) na 33/45/78 OzM.
4. Zdvihnite prenosku pomocou páčky. Položte prenosku na začiatok dosky, alebo na začiatok určitej skladby. Pre prehrávanie jemne spustíte prenosku pomocou páčky na dosku.
5. Po ukončení prehrávania sa prenoska zastaví a automaticky vráti na podstavec. Pre manuálnym ukončenie prehrávania zdvihnite prenosku a dajte na podstavec.
6. Presúvanie alebo prudký pohyb talírebez zaistenia prenosky, môže viesť k poškodeniu prenosky. Vráťte ochranný kryt na ihlu, ak sa nepoužíva.

AUX VSTUP

Do prístroja možno pomocou audio vstupu zapojiť externé zariadenia, ako jsouMP3 prehrávače, CD prehrávače.

1. Umožňuje prehrávanie externého zdroja prostredníctvom systému reproduktorov. Použite audio kábel (nie je súčasťou dodávky) s RCA stereo zástrčkou na jednom konci kábla. Zapojte jeden koniec do zásuvky AUX-IN na hlavnej jednotke a druhý koniec kábla do LINE OUT alebo konektoru slúchadiel externého audio zariadenia.
2. Zapnite prístroj a externé audio zariadenia. Stlačte tlačidlo MODE (8) (5 na diaľkovom ovládači) vyberte režim AUX.
3. Spustíte prehrávanie externého zariadenia (pozrite si návod externého zariadenia).

BLUETOOTH

1. Stlačte tlačidlo MODE (8) (5 na diaľkovom ovládači) vyberte režim BT.
2. Na vašom prenosnom zariadení (chytrý telefón, tablet ...) vyberte HIF-1996D+BT, potvrdte pripojenie.
3. Ak je párovanie úspešné, LED prestane blikať.
4. Teraz môžete preniesť hudbu do HIF-1996D+BT. Všetky operácie možno ovládať iba z mobilného zariadenia.

PREHRÁVANIE Z USB

1. Vložte konektor USB zariadenia do portu USB.
2. Stlačte tlačidlo MODE (8) (5 na diaľkovom ovládači) vyberte režim USB.
3. Prístroj automaticky jednotku načíta ihneď po zapojení.
4. Použite rovnaký postup ako pri CD počúvaní USB / SD zariadenia.

ZMAZANIE USB

1. Stlačte a držte počas prehrávania REC (18) (4 na diaľkovom ovládači). "DEL" will be shown on the display.
2. Stlačte SKIP +/- (16/17) (12/13 na diaľkovom ovládači) opakovane pre výber ONE/FOLDER/ALL.
3. Pre potvrdenie stlačte REC (18) (4 na diaľkovom ovládači) znova.

FUNKCIA NAHRÁVANIE

- Počas počúvania PHONO/TAPE/BLUETOOTH/AUX-IN/DAB, stlačte REC (18) (4 na diaľkovom ovládači). Na displeji sa zobrazí "REC". Dióda nahrávania sa rozsvieti. Kódovanie teraz prebieha. Majte na pamäti, že rýchlosť kódovania je 1: 1.
- Pre zastavenie nahrávania stlačte STOP (15) (6 na diaľkovom ovládači).
- Prístroj vytvorí na USB zariadenie adresár, ktorý obsahuje všetky nahraté skladby.

CD

- Stlačte REC (18) (3 na diaľkovom ovládači).
- Pre výber medzi ONE/FOLDER/ALL opakovane stlačte SKIP -/+ (16/17) (12/13 na diaľkovom ovládači).
- Pre nahrávanie stlačte Press REC (18) (3 na diaľkovom ovládači) ešte raz.

TECHNICKÉ ÚDAJE

AC:	230V ~ 50 Hz
FM:	88 - 108 MHz
DAB:	Band III

Zmeny dizajnu a technických údajov vyhradené bez predchádzajúceho oznámenia.

OPOZORILO



Výkričník vo vnútri trojuholníka na skrinke prístroja upozorňuje užívateľa na existenciu dôležitých pokynov pre jeho obsluhu uvedených v návode.



Symbol blesku vo vnútri trojuholníka upozorňuje užívateľa na nebezpečné napätie na niektorých dieľoch vo vnútri skrinky prístroja.



230v~

Nevyberajte prístroj zo skrinky - riziko úrazu elektrickým prúdom. Vo vnútri skrinky prístroja nie sú diely ktoré by mohol opraviť alebo nastaviť jeho užívateľ bez zodpovedajúceho vybavenia a kvalifikácie. Ak bude prístroj vyžadovať nastavenie alebo opravu kontaktujte odborný servis. Zásahom do prístroja v dobe platnosti záruky sa vystavujete riziku straty príp. záručných plnení.



Chráňte prístroj pred zmoknutím, postriekaním alebo poliatím akoukoľvek kvapalinou - riziko úrazu elektrickým prúdom. Nepoužívajte prístroj mimo miestnosti.



Pre odpojenie prístroja od elektrickej siete vyberte vidlicu sieťového kábla prístroja zo sieťovej zásuvky.



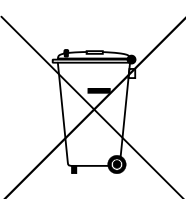
Prístroj umiestenie na dobre vetranom mieste. Nezakrývajte vetracie otvory skrinky prístroja - riziko jeho prehriatia a poškodenia.



Chráňte prístroj pred priamym slnkom, neumiestňujte prístroj v blízkosti zdrojov tepla. Vysokými teplotami je výrazne skracovaná životnosť elektronických komponentov prístroja.

POKYNY PRE SPRÁVNU LIKVIDÁCIU VÝROBKU


(likvidácii použitých elektrických a elektronických zariadení)



Tento symbol na výrobku, jeho príslušenstve alebo obale označuje, že pri naskoršej likvidácii výrobku (z akýchkoľvek dôvodov) nesmie byť s výrobkom zachádzané ako s domácim odpadom. Výrobok zlikvidujte jeho odovzdaním na zberné miesto pre likvidáciu použitých elektrických a elektronických zariadení šetrnú k životnému prostrediu. Zaistením ich správnej likvidácie zabránite vzniku potenciálnych rizík pre životné prostredie a ľudské zdravie, ktorá by mohla vzniknúť nesprávnym zachádzaním s odpadmi. Okrem toho recyklácia odpadových materiálov napomáha udržaniu prírodných zdrojov surovín pre budúce generácie. Podrobné informácie k likvidácii tohto výrobku šetrné k životnému prostrediu získate u pracovníka ochrany životného prostredia miestneho (mestského alebo obvodného) úradu alebo v predajni, v ktorej ste výrobok zakúpili.

VER.1

Roadstar Management SA, via Passeggiata 7 CH 6883 Novazzano (Switzerland)

 **Roadstar** is a registered Trademark of Roadstar S.A. - Switzerland. All rights reserved.