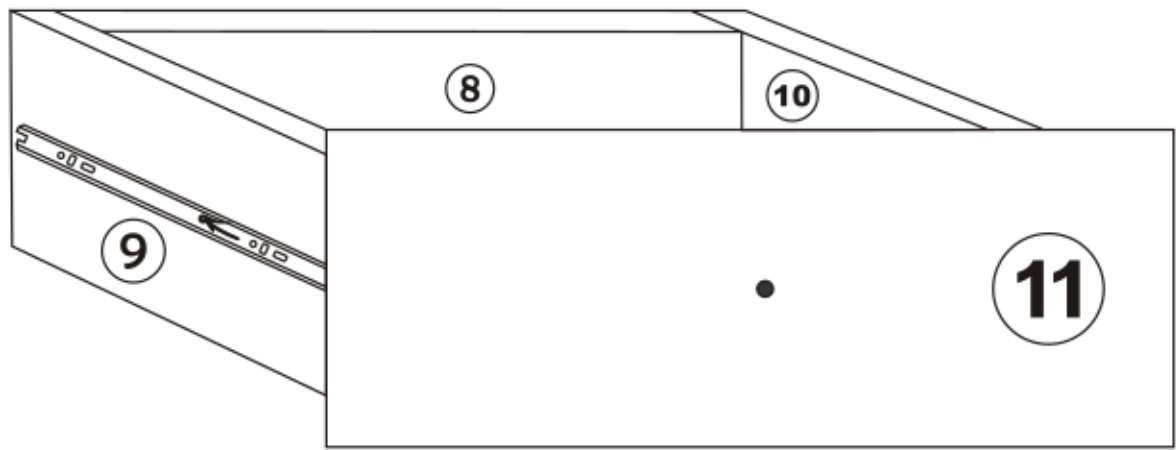
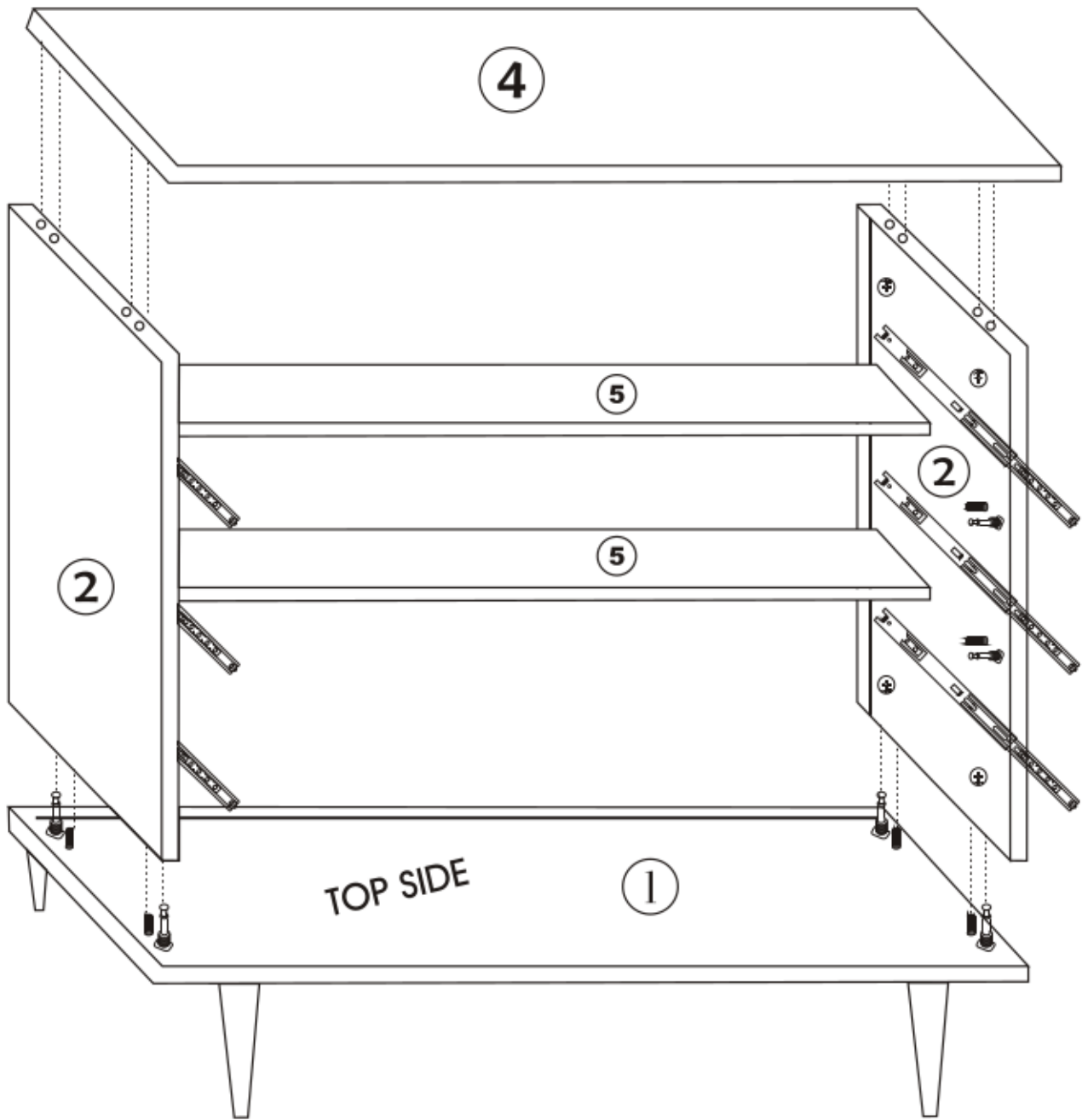

Assembly Manual

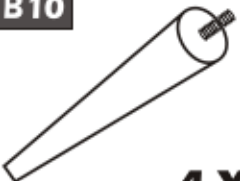


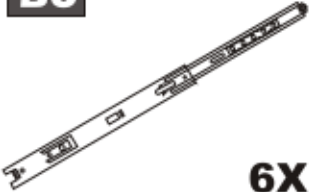









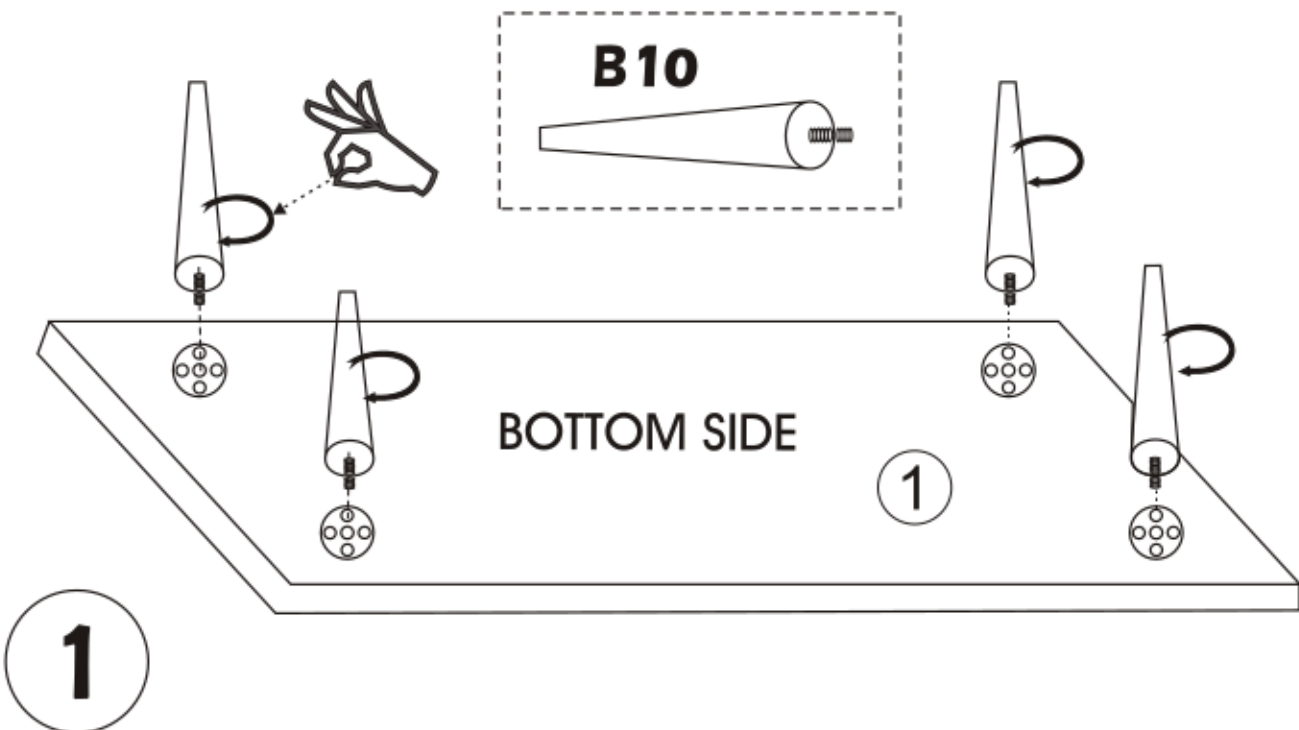
ATTENTION !!

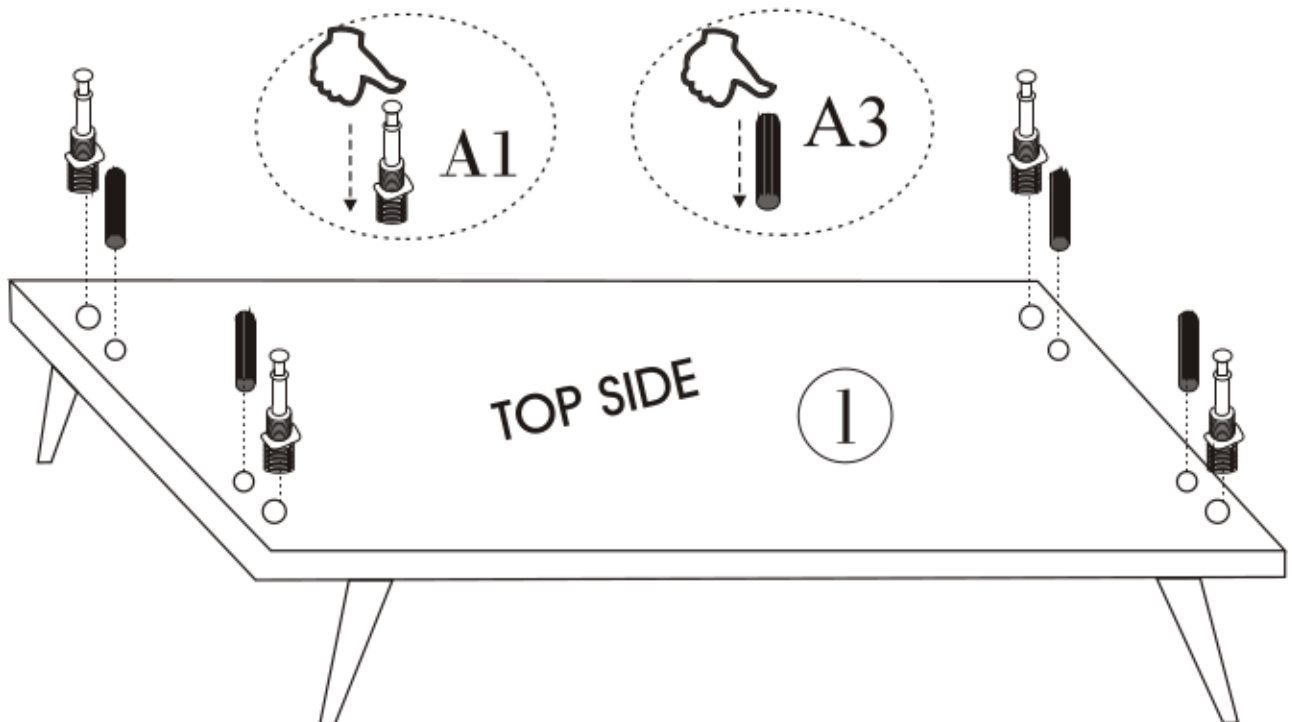
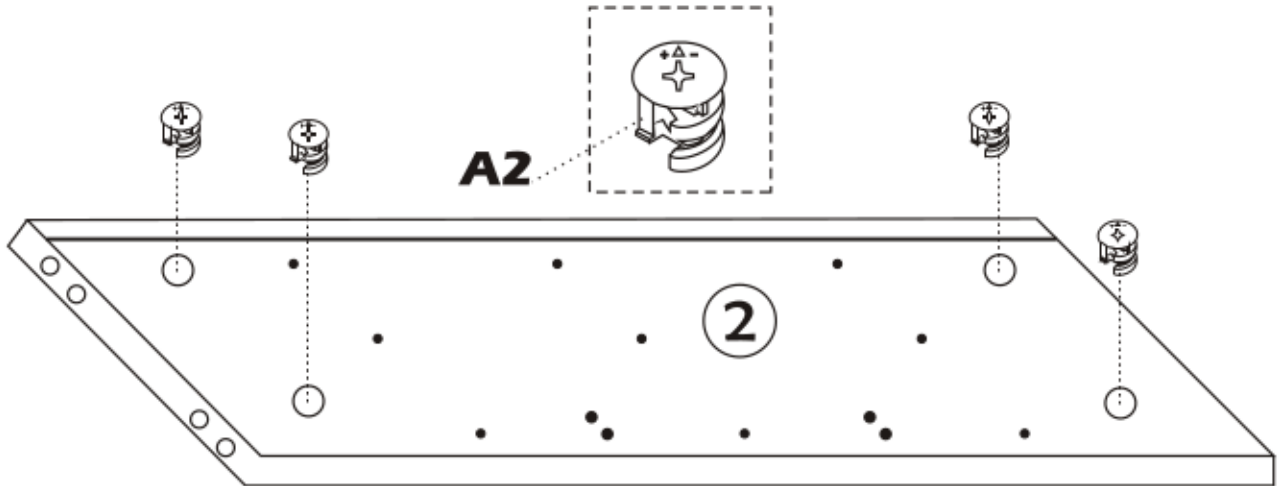
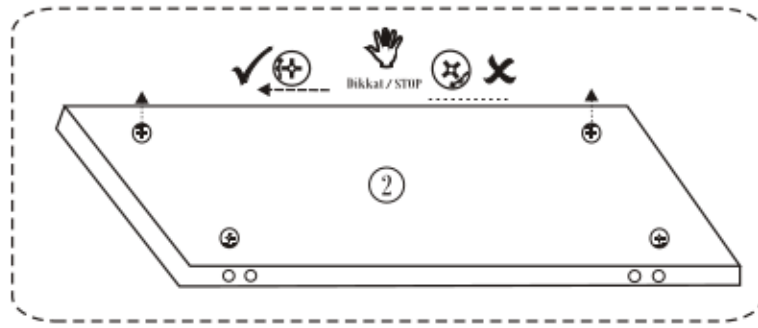
Minifix is the main connection material used in Decortile products ,
Before starting assembly , Please check the drawings below

Accessory List

B10  4 X	A1 Minifix  24 X	A2 Minifix  24 X	B6  6 X
Z15  3 X	A3  24 X	N20 18 x 3,5 m  36 X	 3 X
R25  1 X			

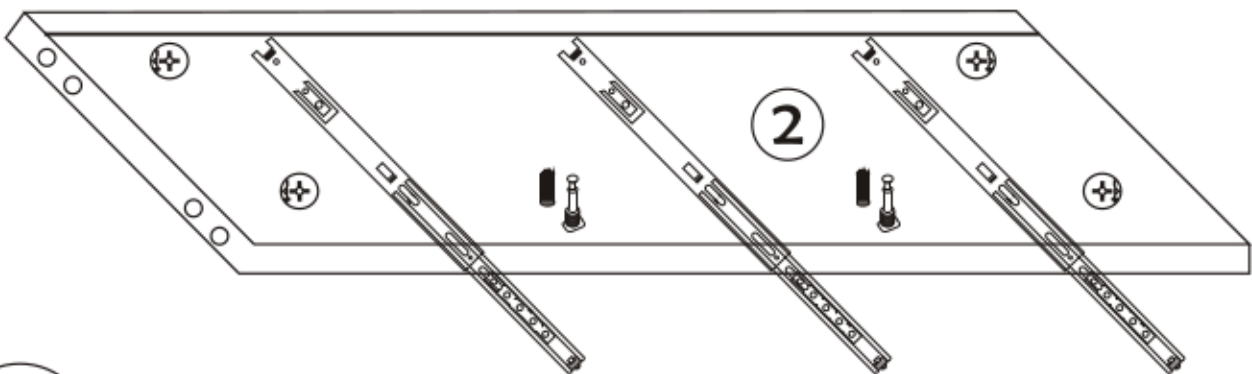
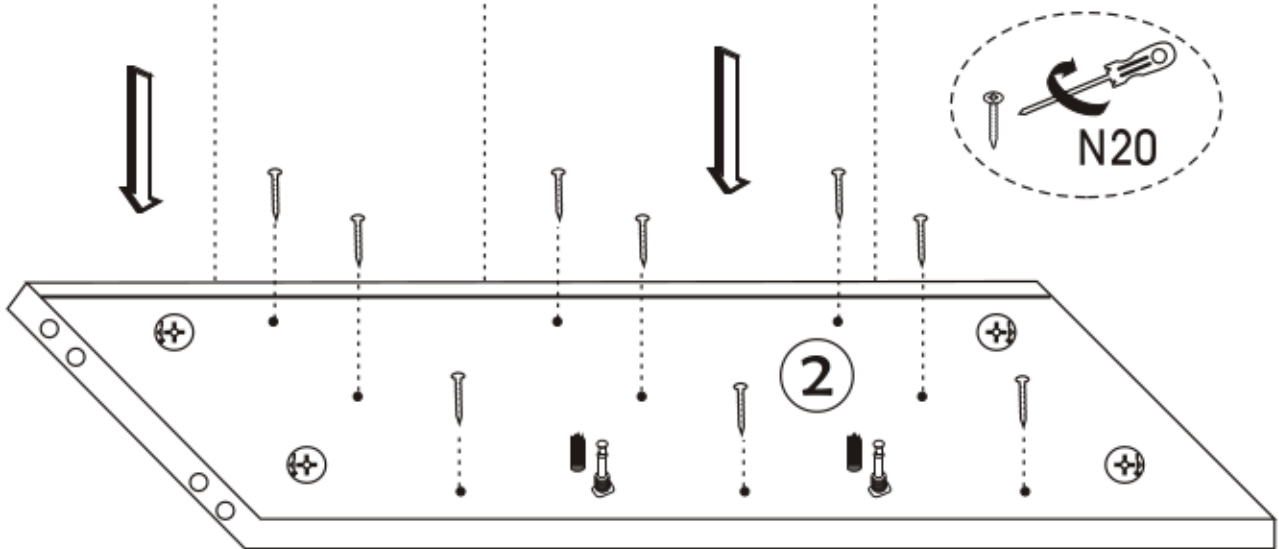
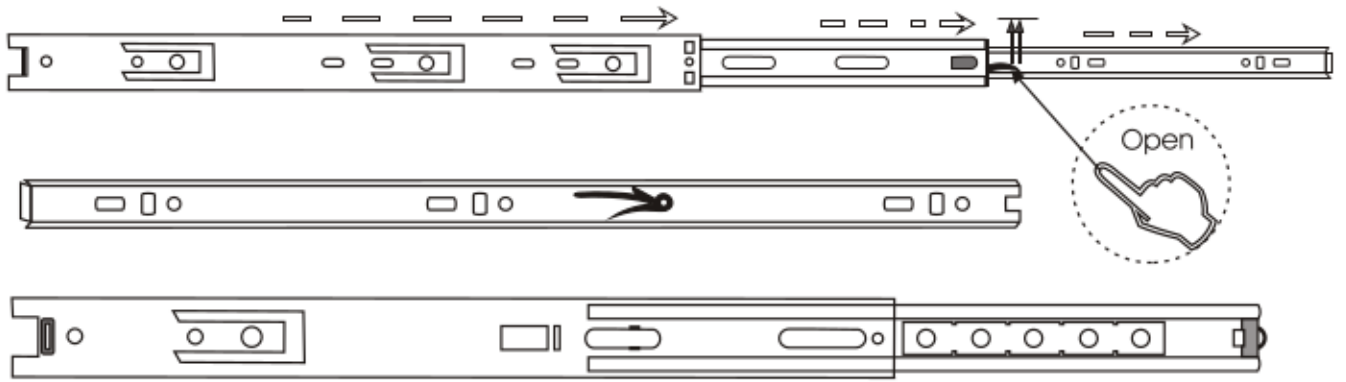
General view



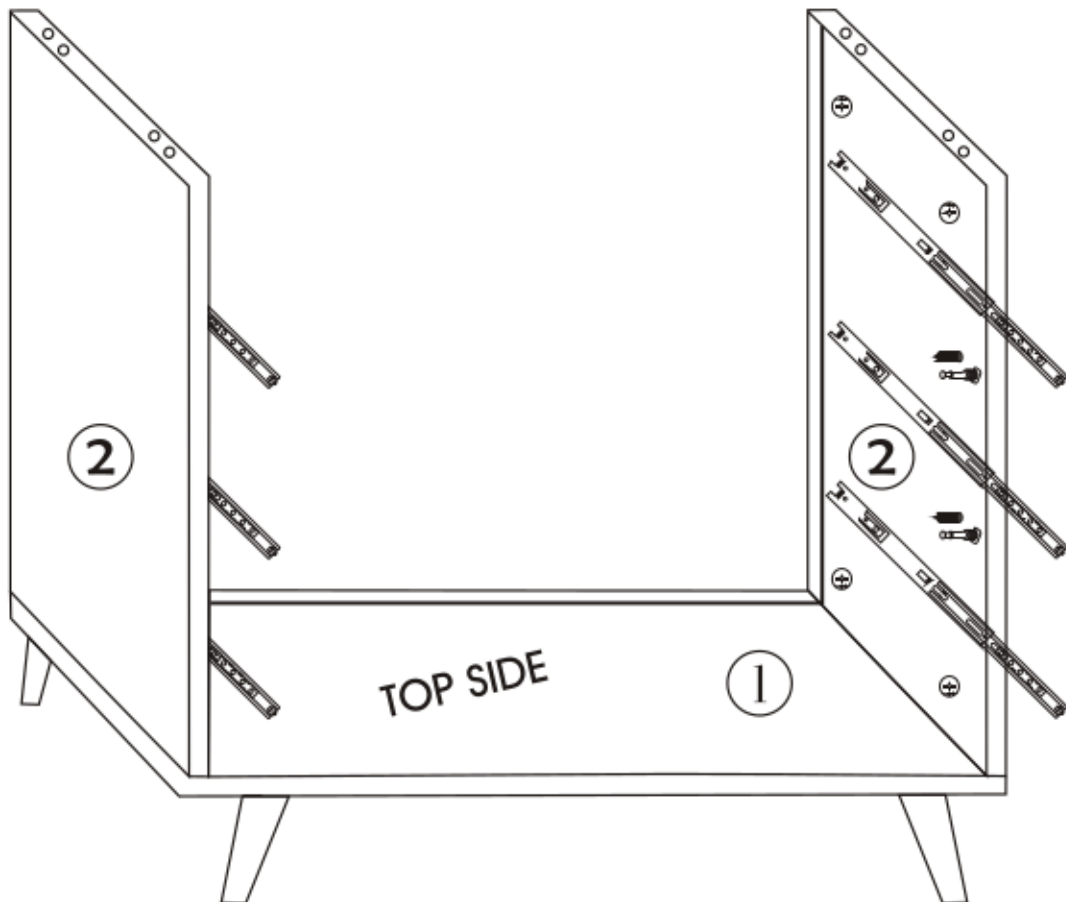
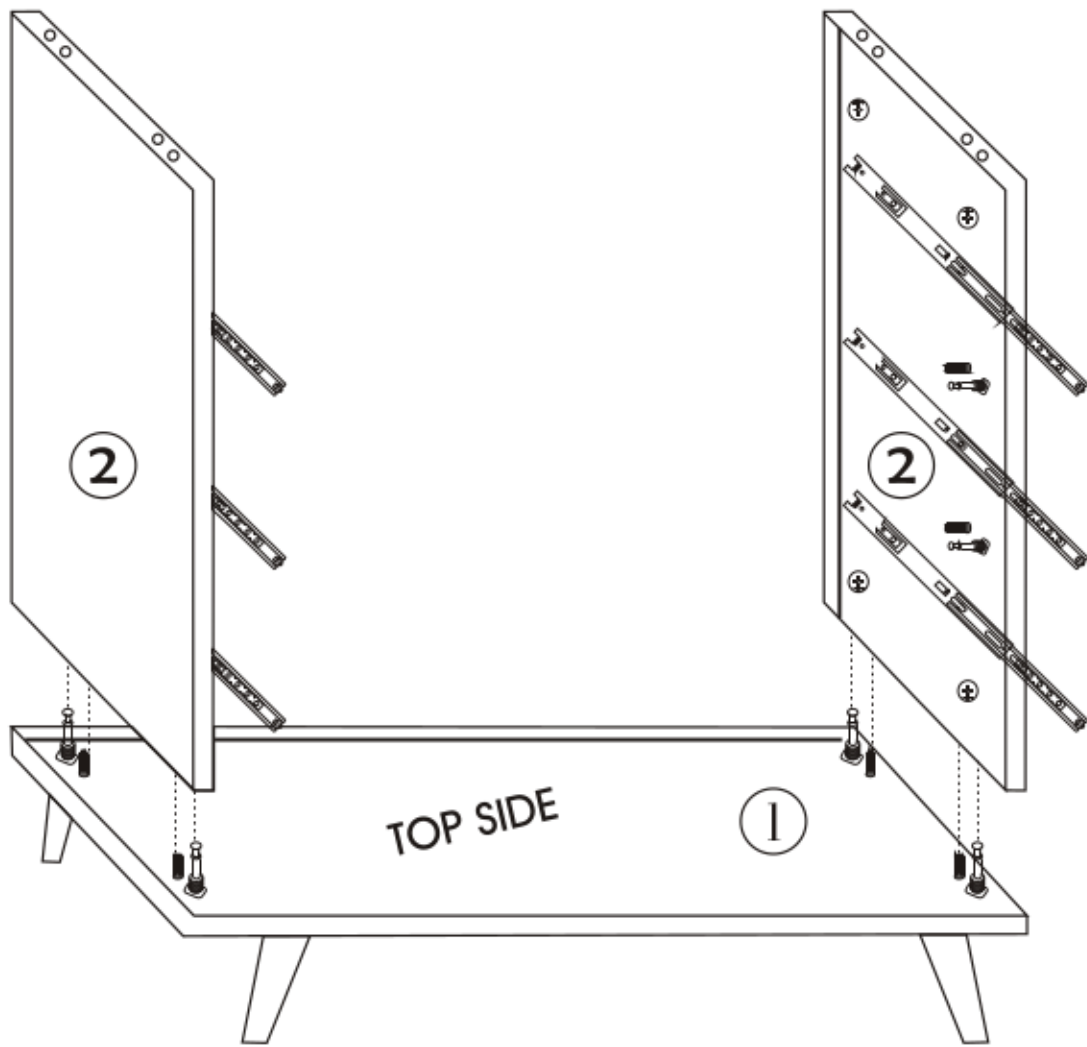


2

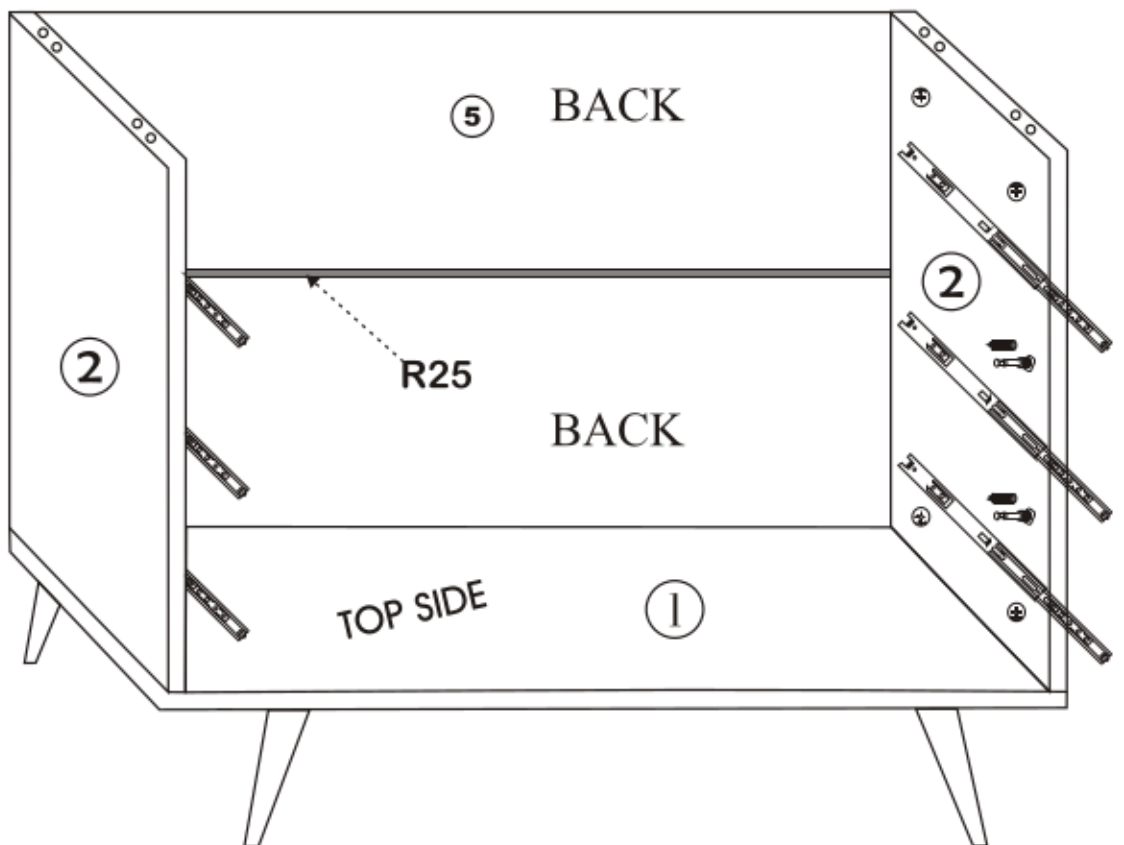
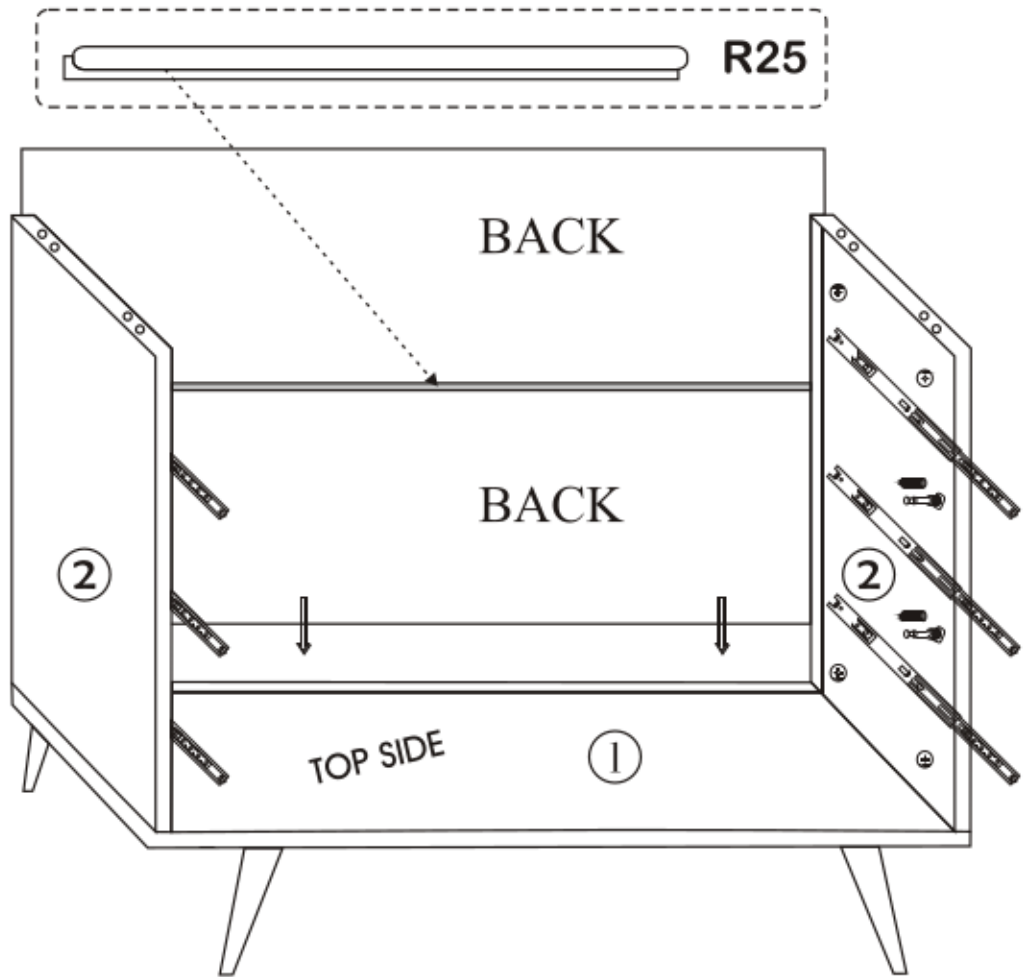




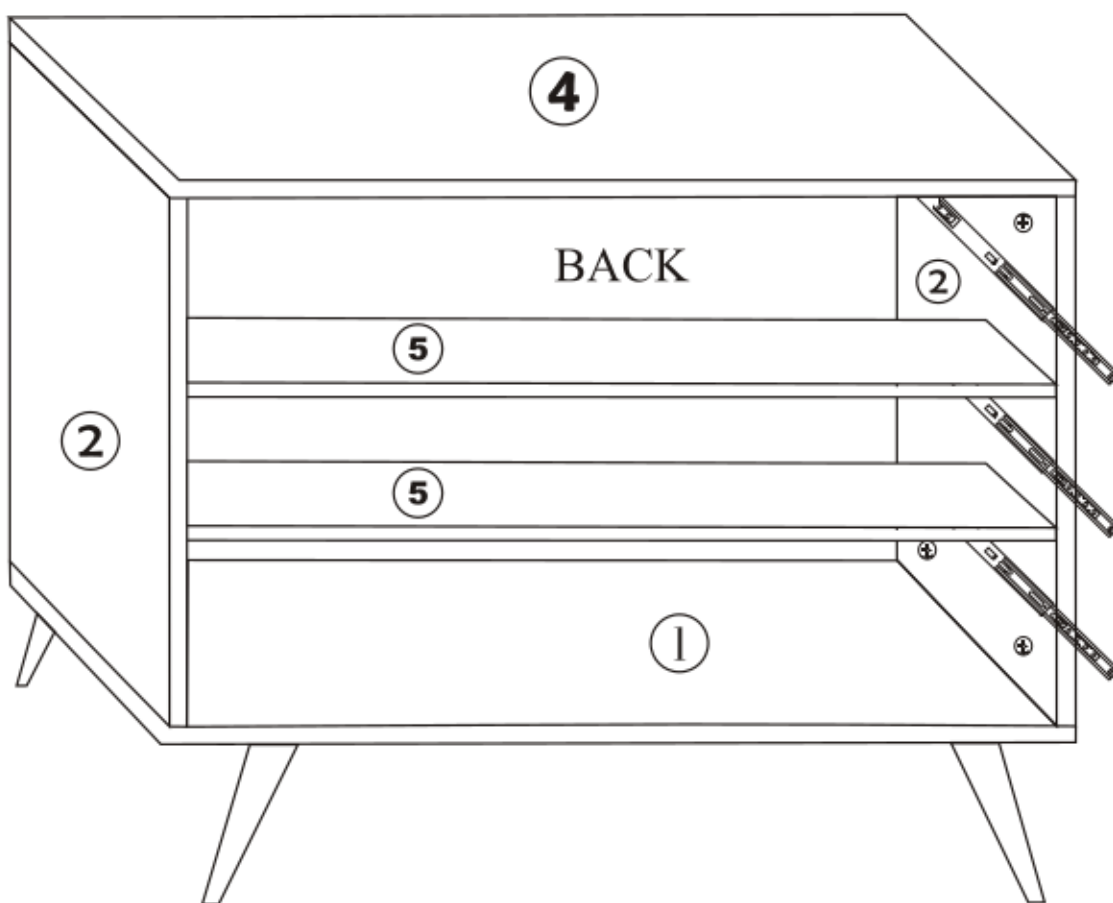
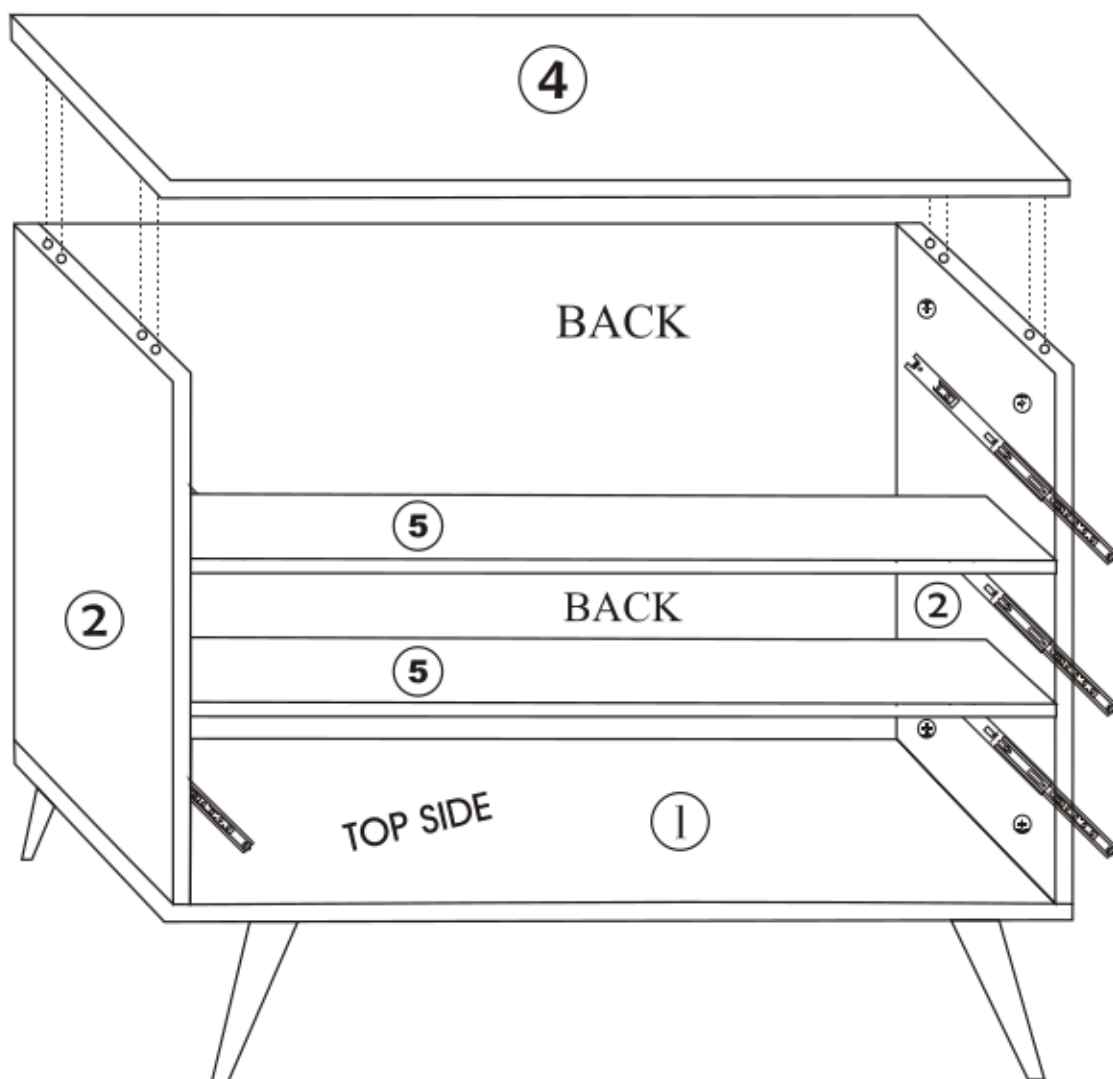
3



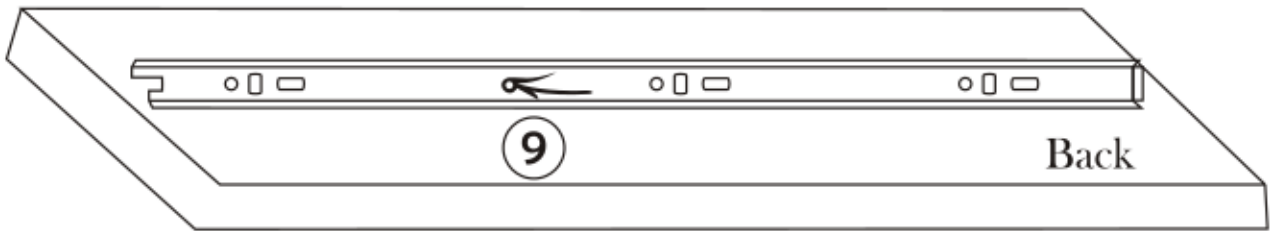
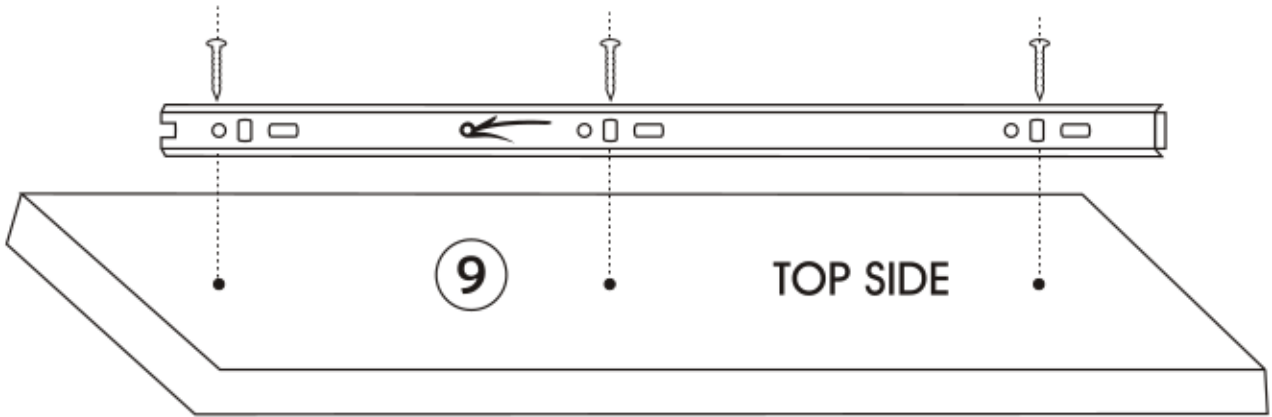
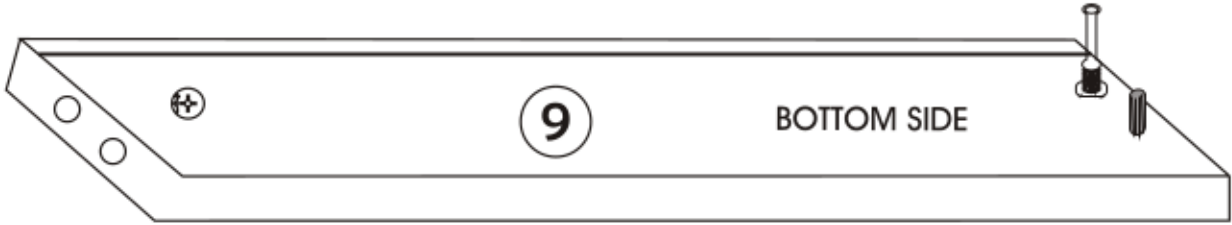
4



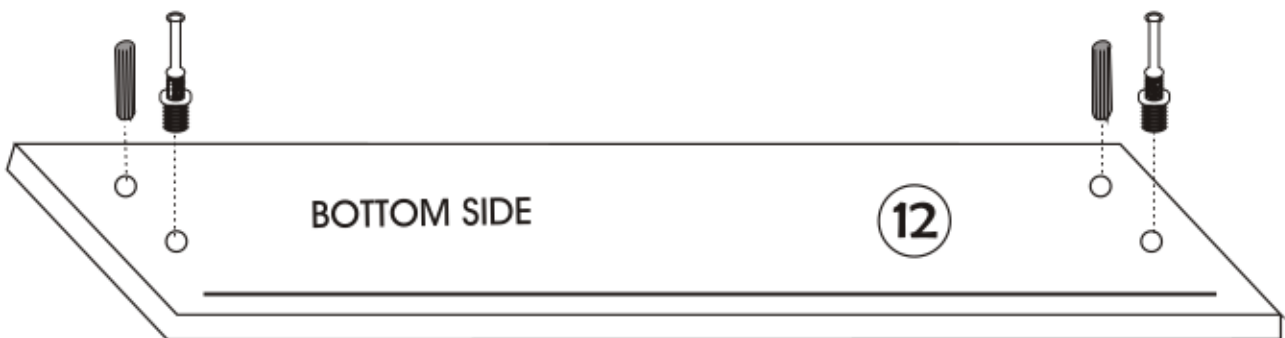
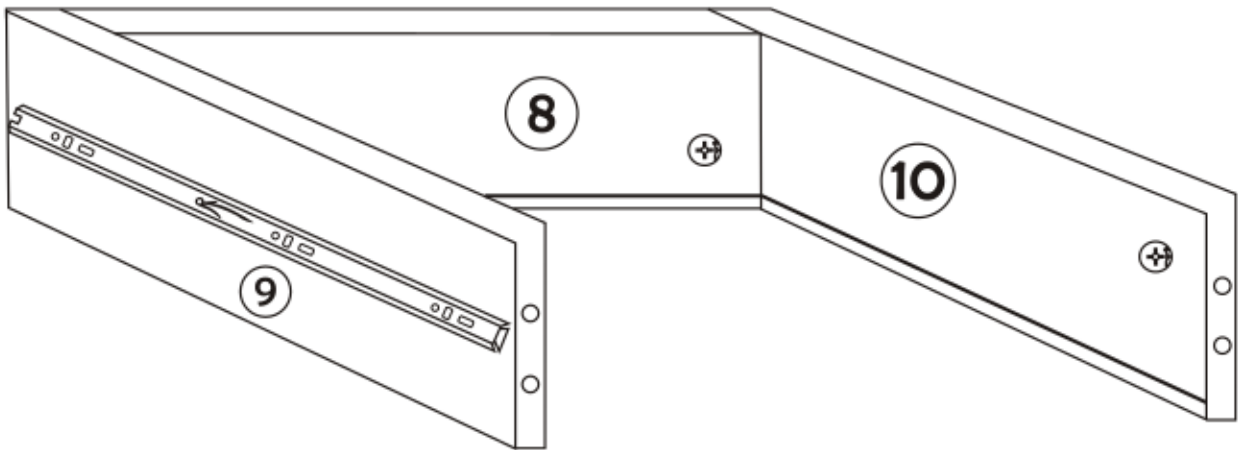
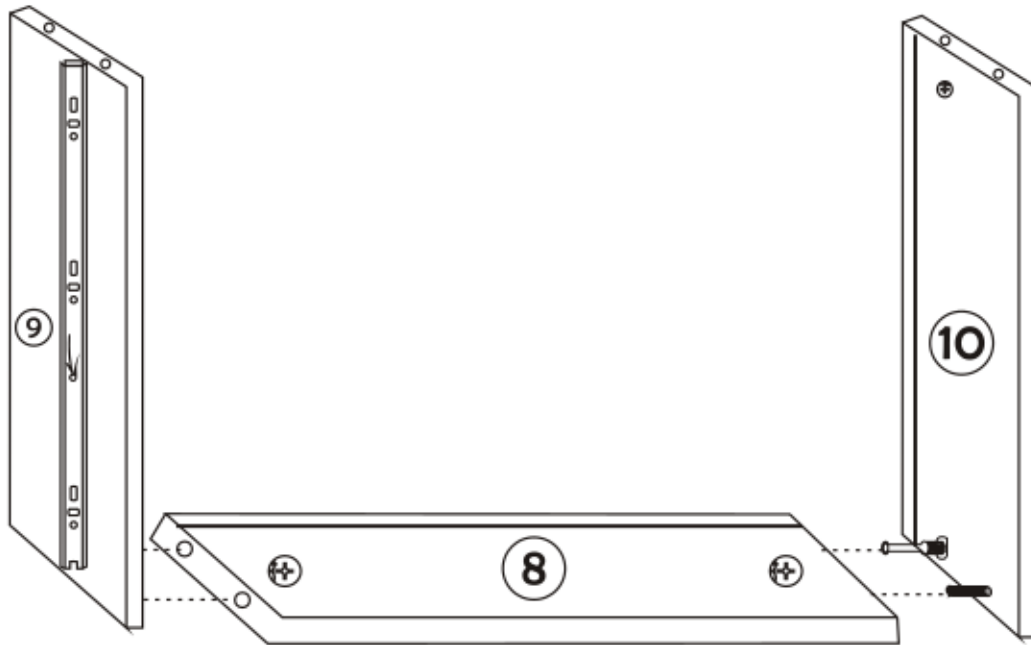
5



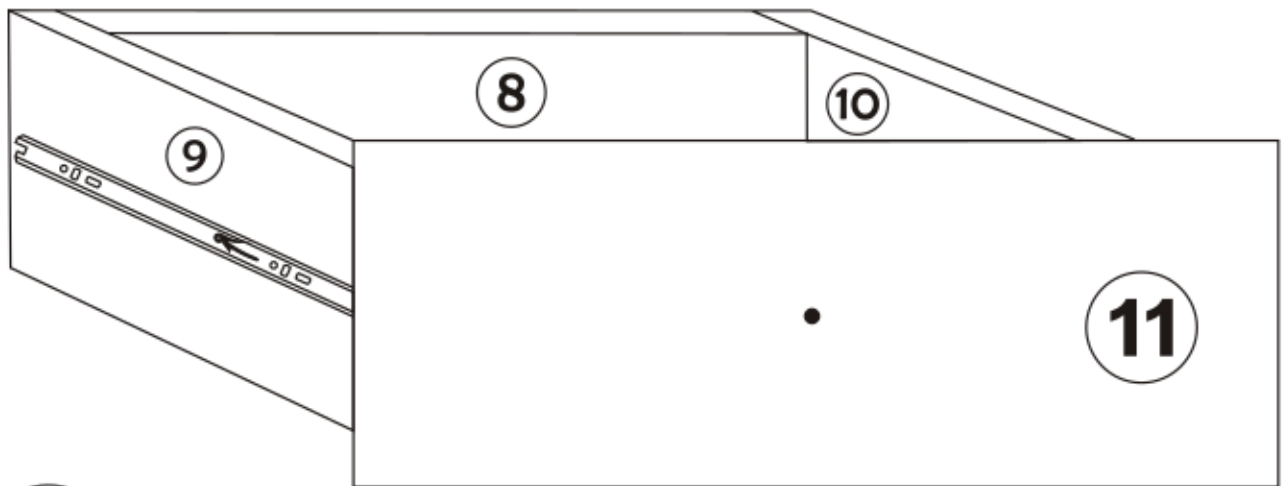
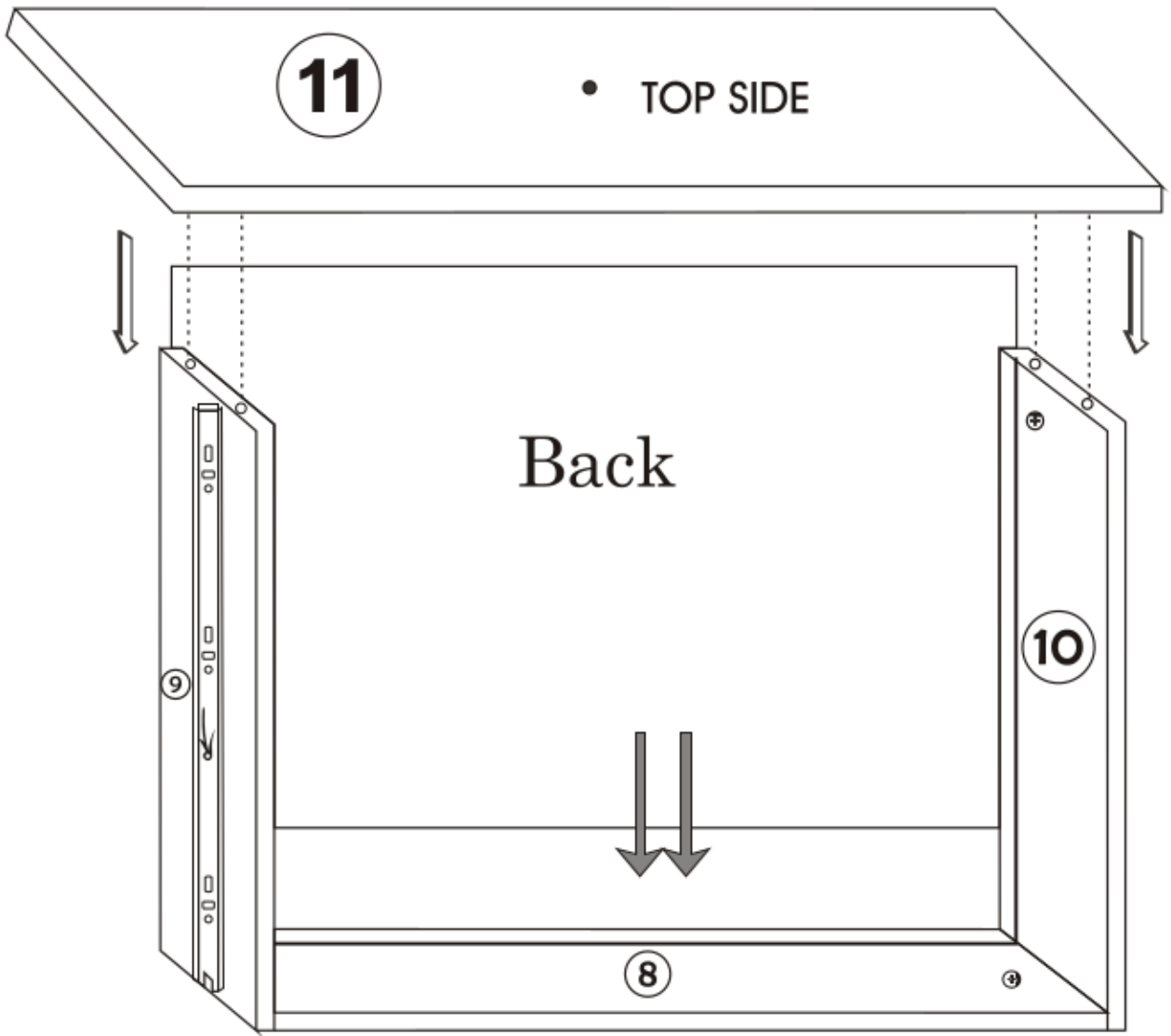
6



7



8



9