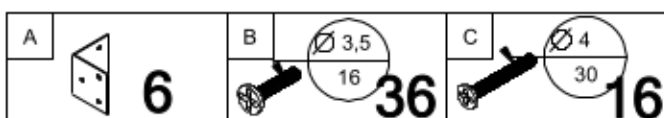
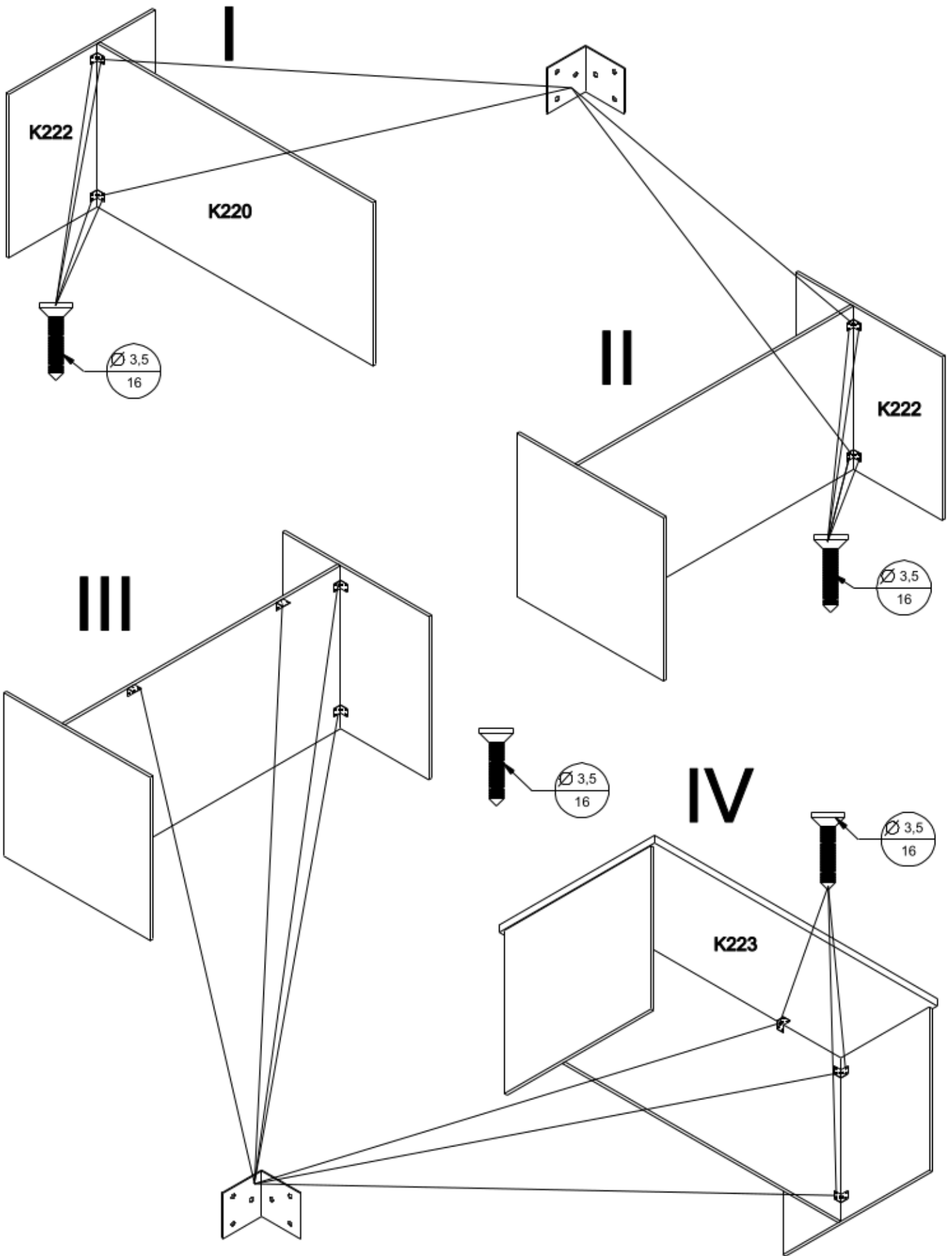
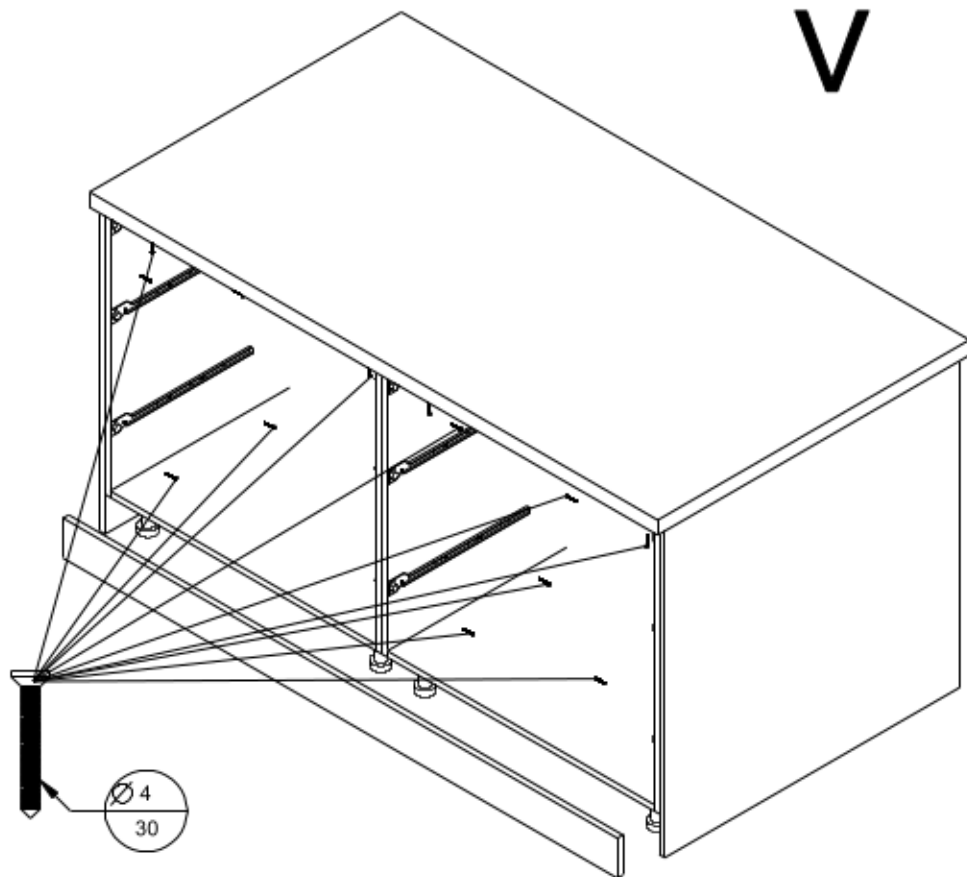
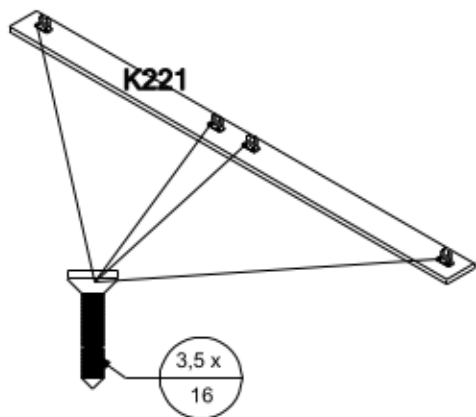


<b>K220</b>	<b>1200x820</b>
<b>K221</b>	<b>1200x100</b>
<b>K222</b>	<b>2x 880x820</b>
<b>K223</b>	<b>1240x90</b>





V



VI

