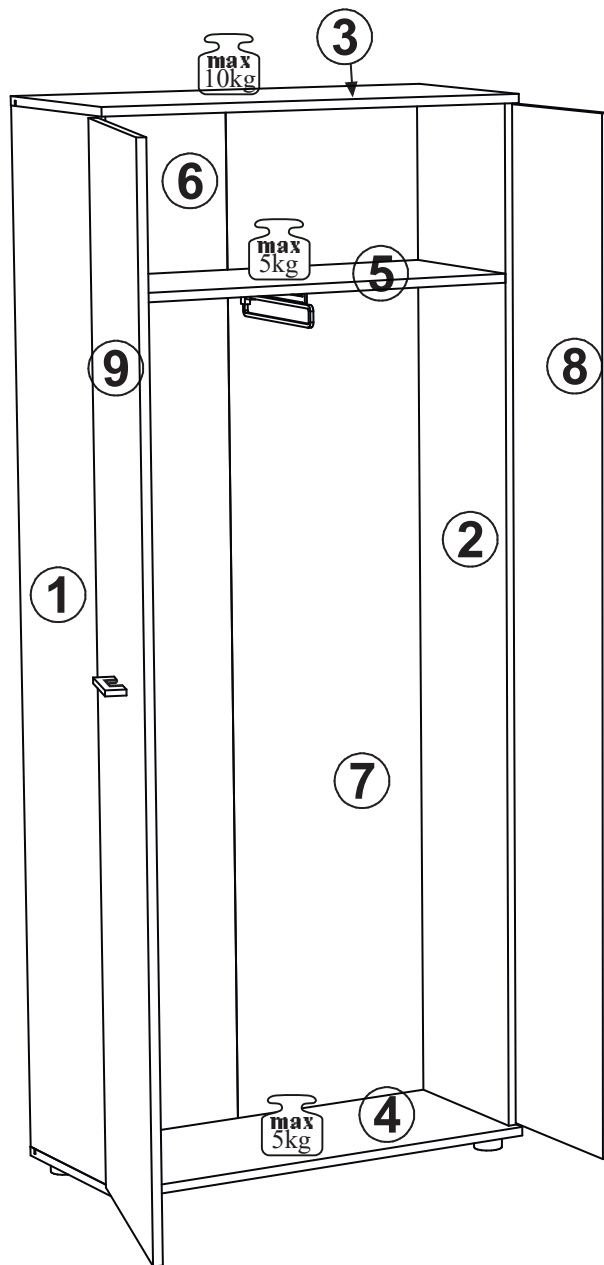
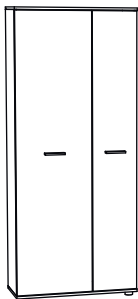
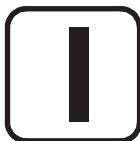


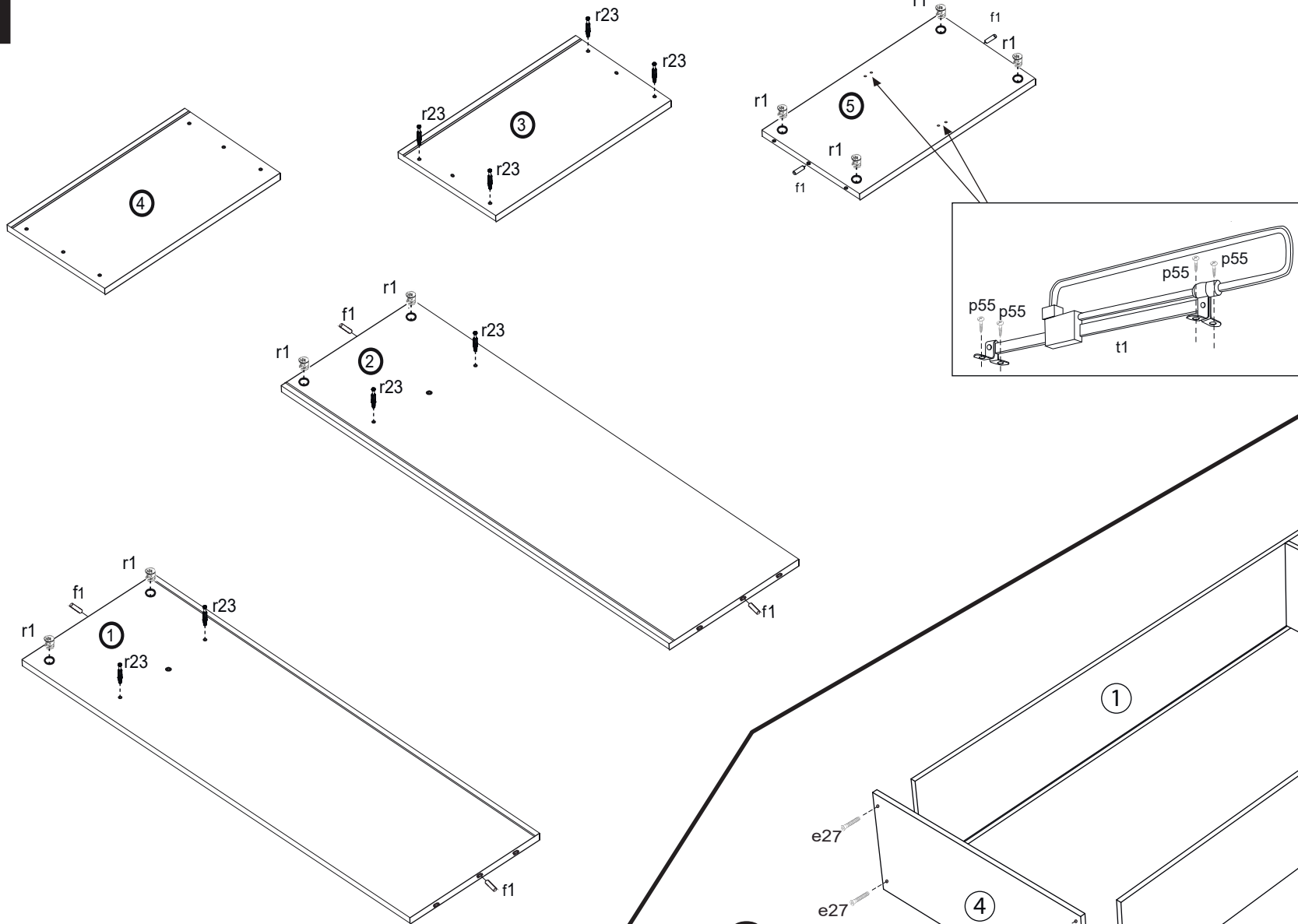
8x φ 8 x50 mm f35	16x K0 a99	16x D5 b19	1x s3	24x φ6.4x50 mm e27	1x L-300 t1	4x φ4x30 mm p10	1x 300 mm PR	1x 300 mm PL	1x 300 mm OR	1x 300 mm OL		
3x k1	13x φ48x10mm k43	44x l2	32x φ3.5x16 mm p51	1x φ5x60 mm p19	3x 81x21x151,5mm n14/2	1x v1	18x φ8x30 mm f1	32x φ 6.3x13 mm e3	4x s1	1x z1	7x L=128 mm c235	1x 4x30 mm p20
12x φ4x16 mm p38	58x φ3x16 mm p55	24x φ15x12mm r1	24x 30/11 r23	3x φ5x50 mm p18	4x φ5x50 mm p17	14x φ4x25 mm p8	13x φ4x25 mm p9	8x φ5x11 mm e5	20x s2	4x 6x13 mm e2	4x g2	12x f5mm d3



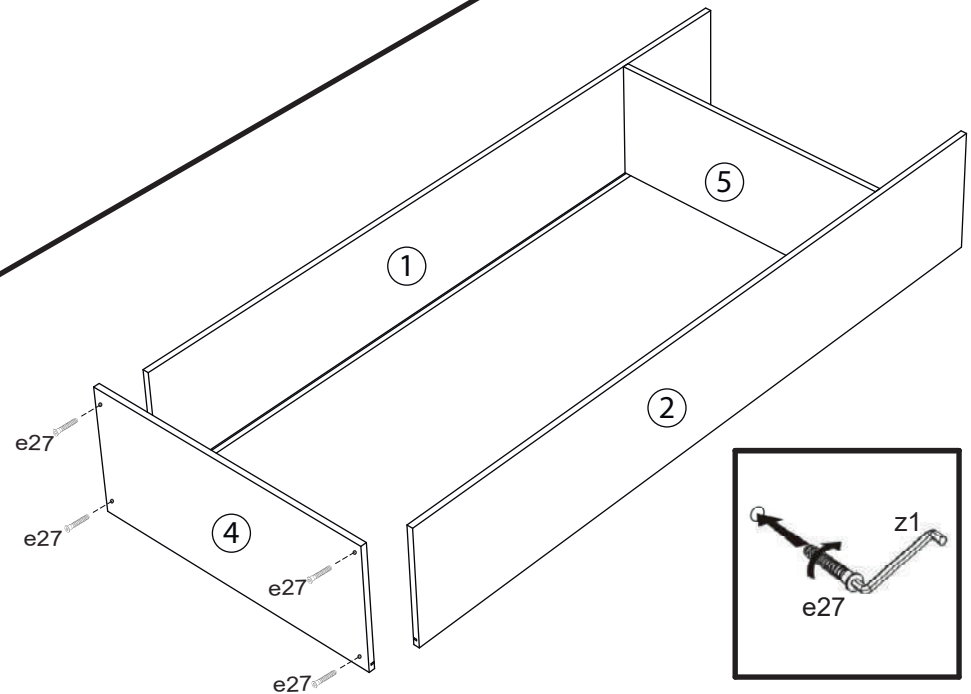
A	B	C	(mm)	Colli
1	1001	1843	330	1/2
2	1002	1843	330	1/2
3	1003	800	350	2/2
4	1004	800	350	2/2
5	1005	767	310	2/2
6	1006	1857	390	2/2
7	1007	1857	390	2/2
8	1008	1837	296	1/2
9	1009	1837	496	1/2



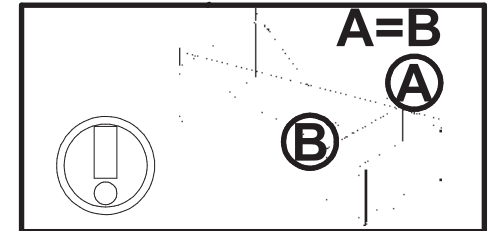
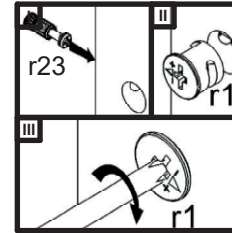
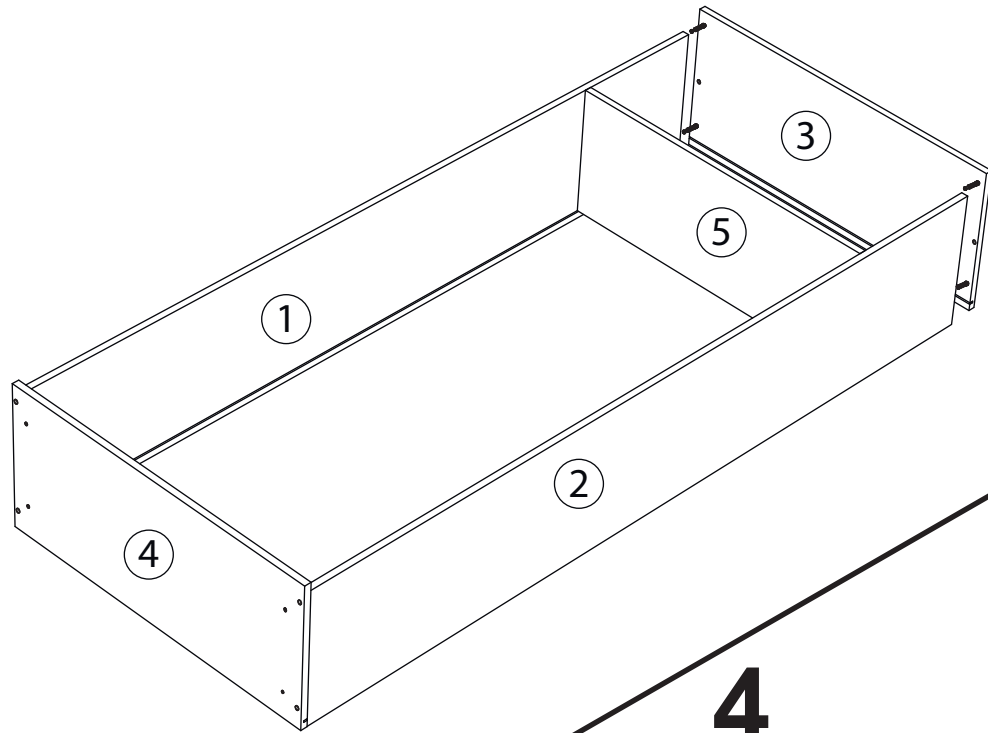
1



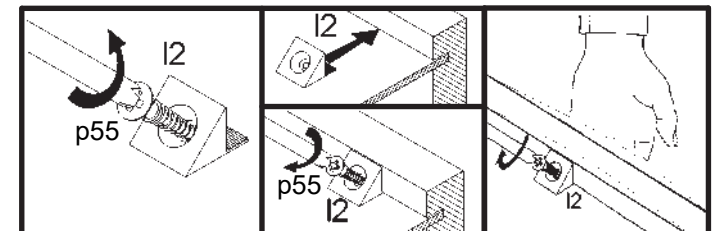
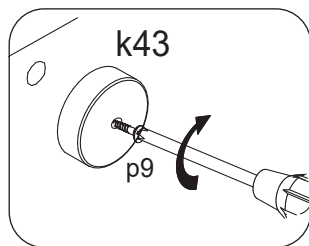
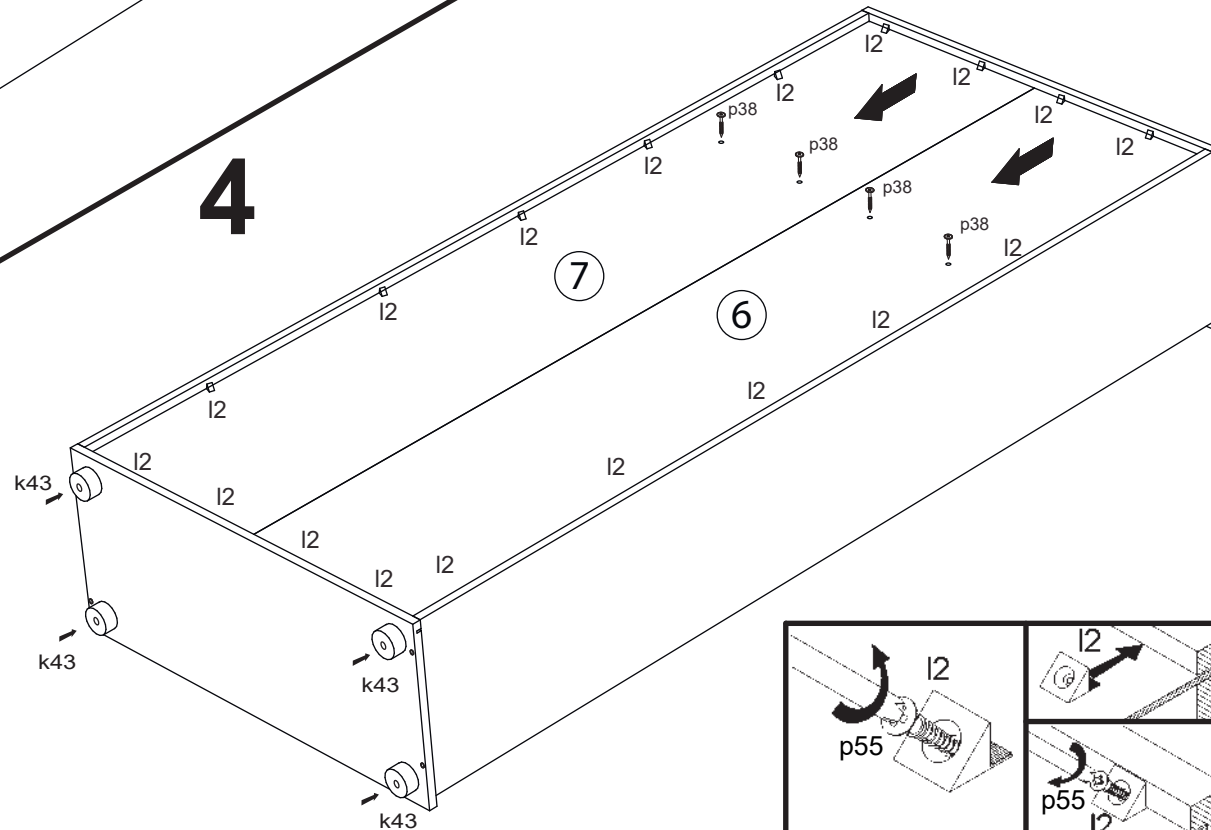
2



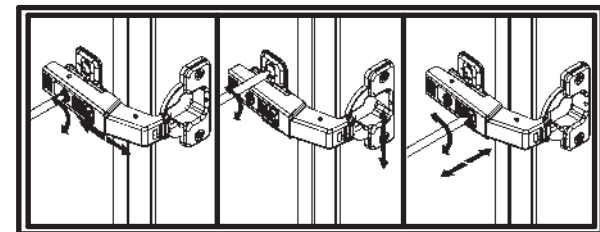
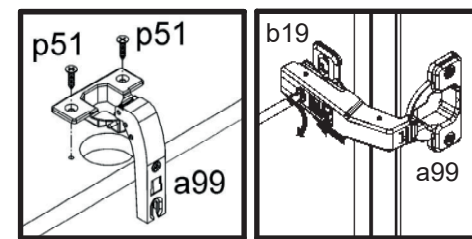
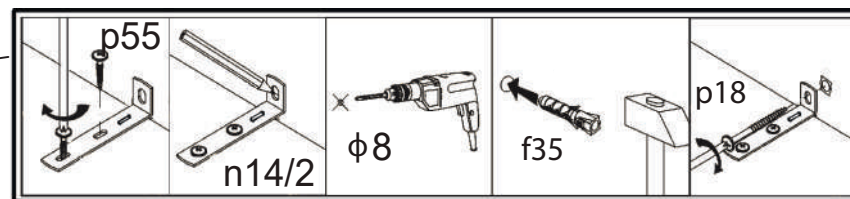
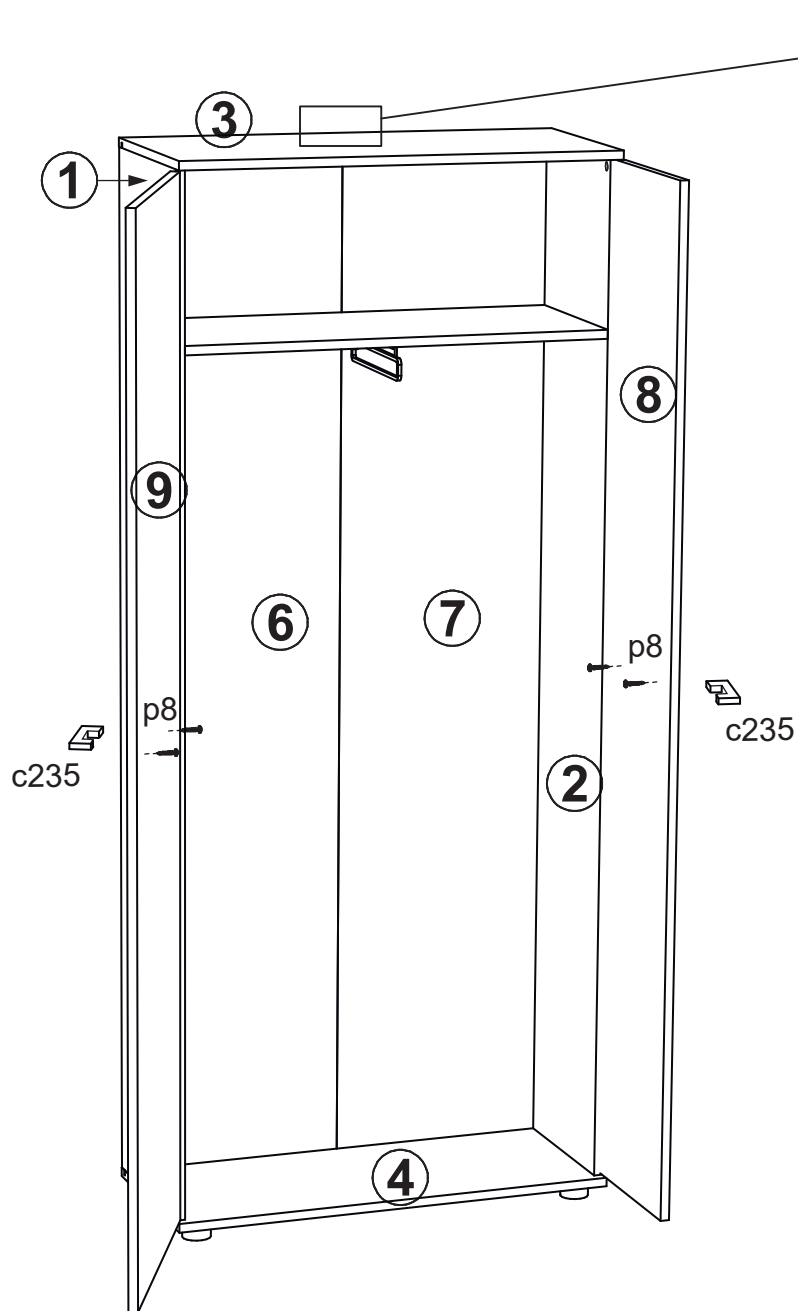
3

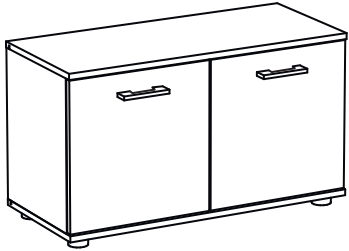


4

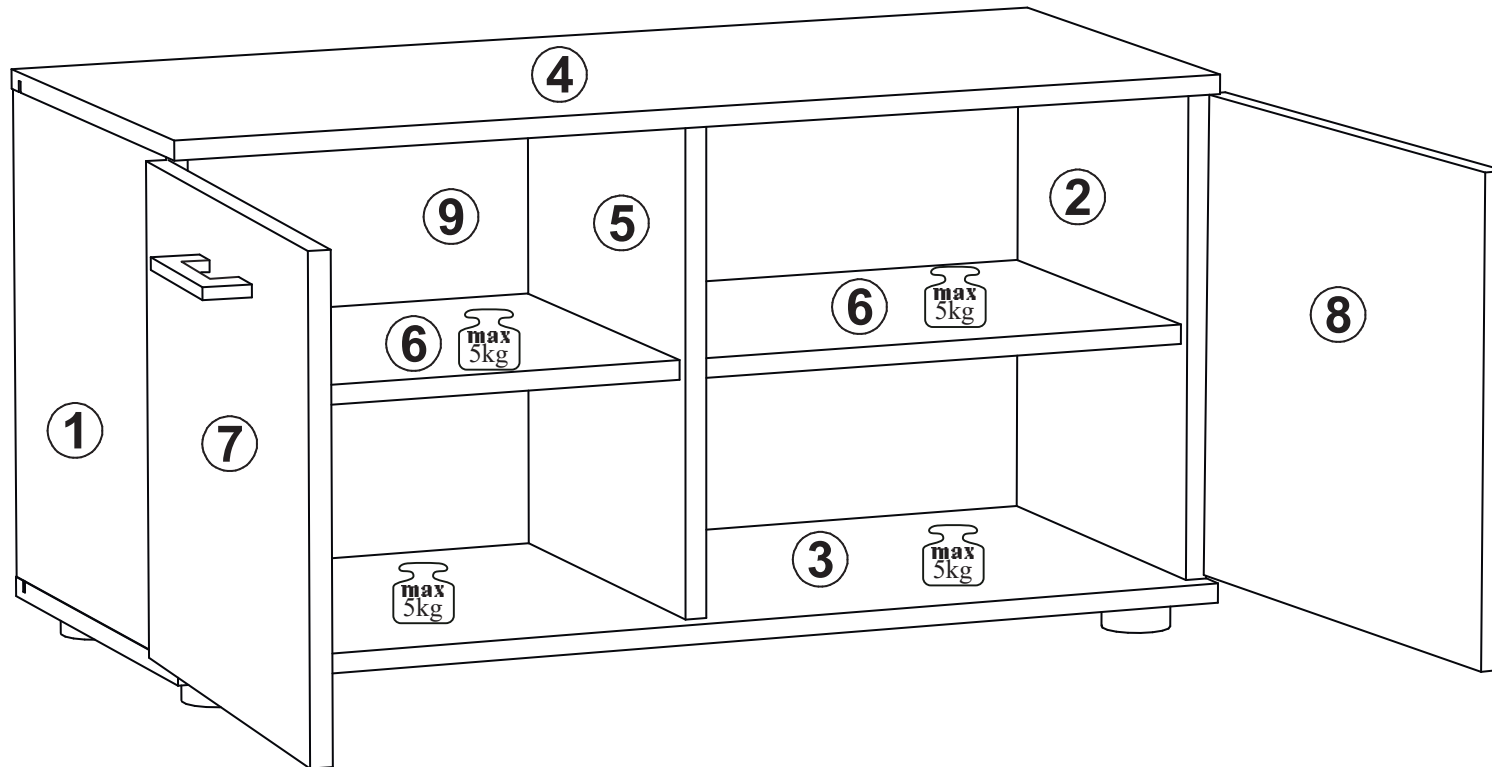


5

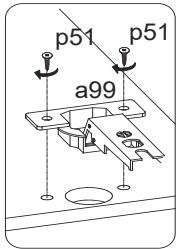
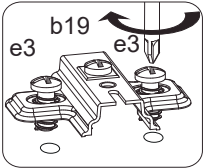
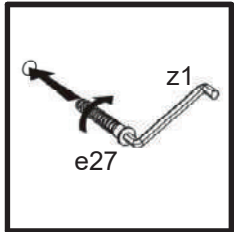
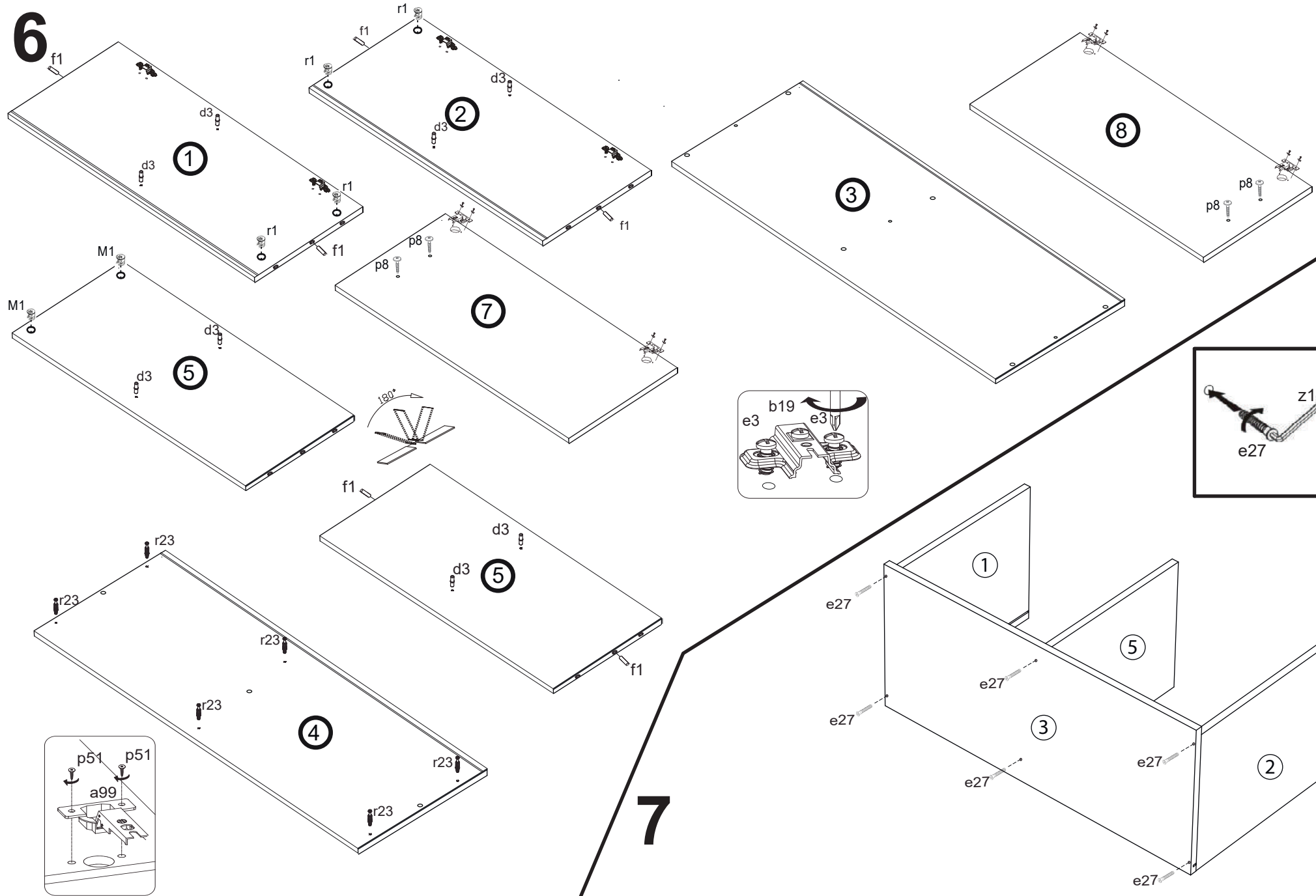




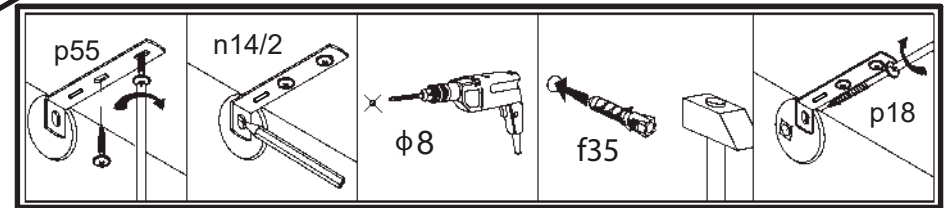
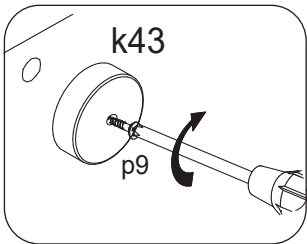
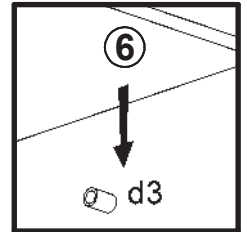
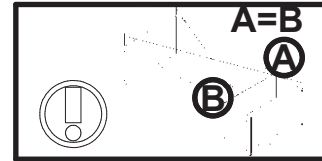
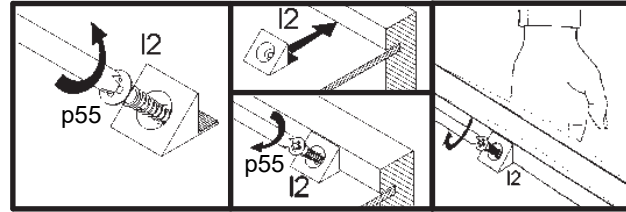
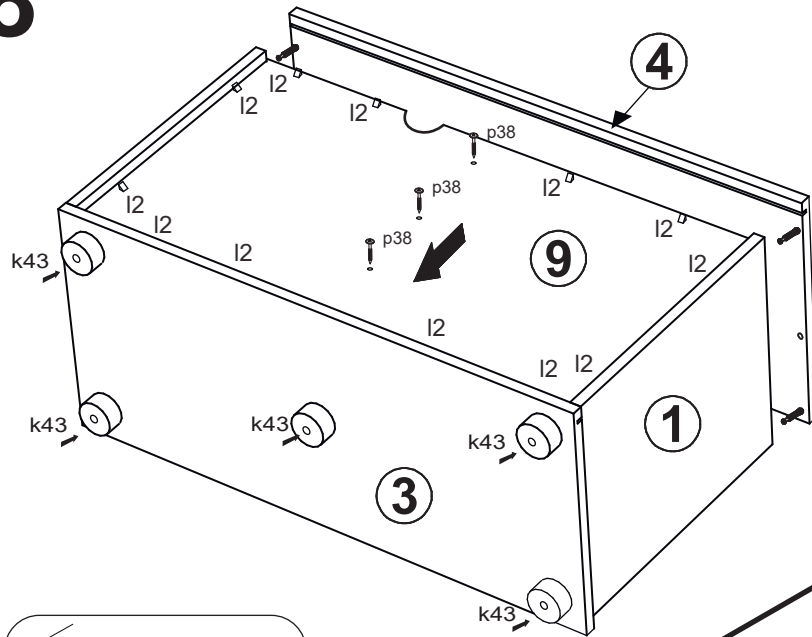
A	B	C	(mm)	Colli
1	2001	402	330	1/1
2	2002	402	330	1/1
3	2003	800	350	1/1
4	2004	800	350	1/1
5	2005	402	310	1/1
6	2006	375	300	1/1
7	2007	396	396	1/1
8	2008	396	396	1/1
9	2009	781	416	1/1



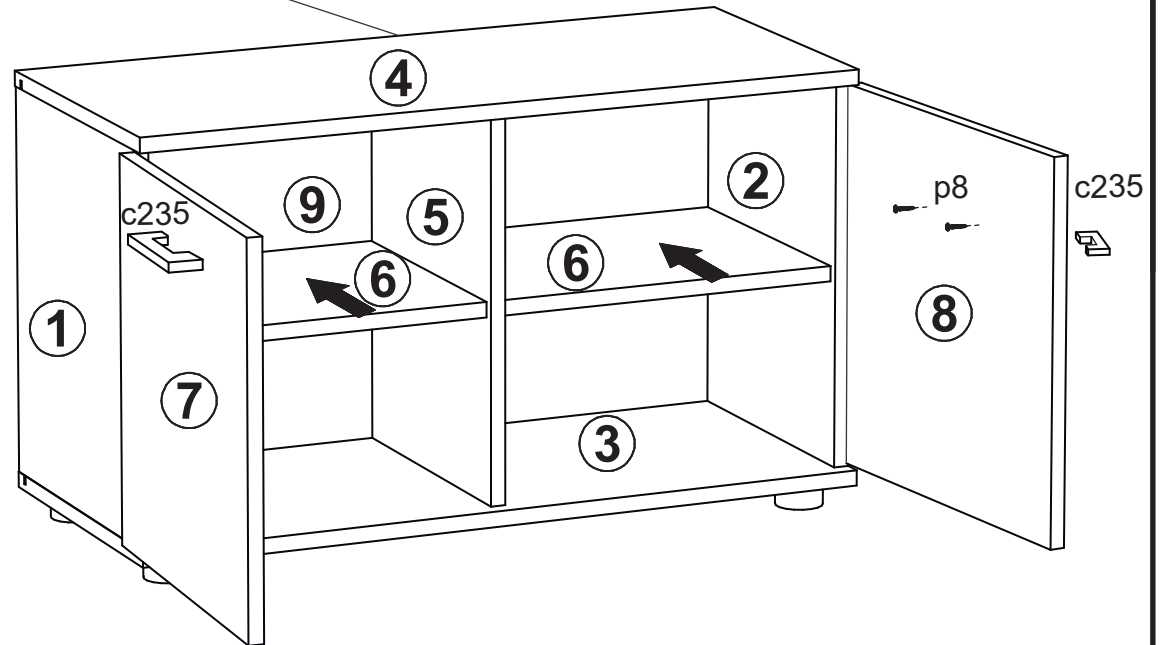
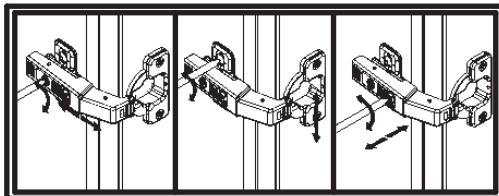
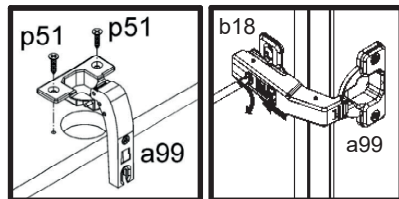
6

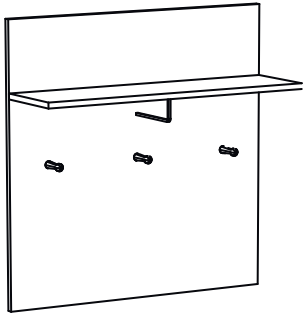


8

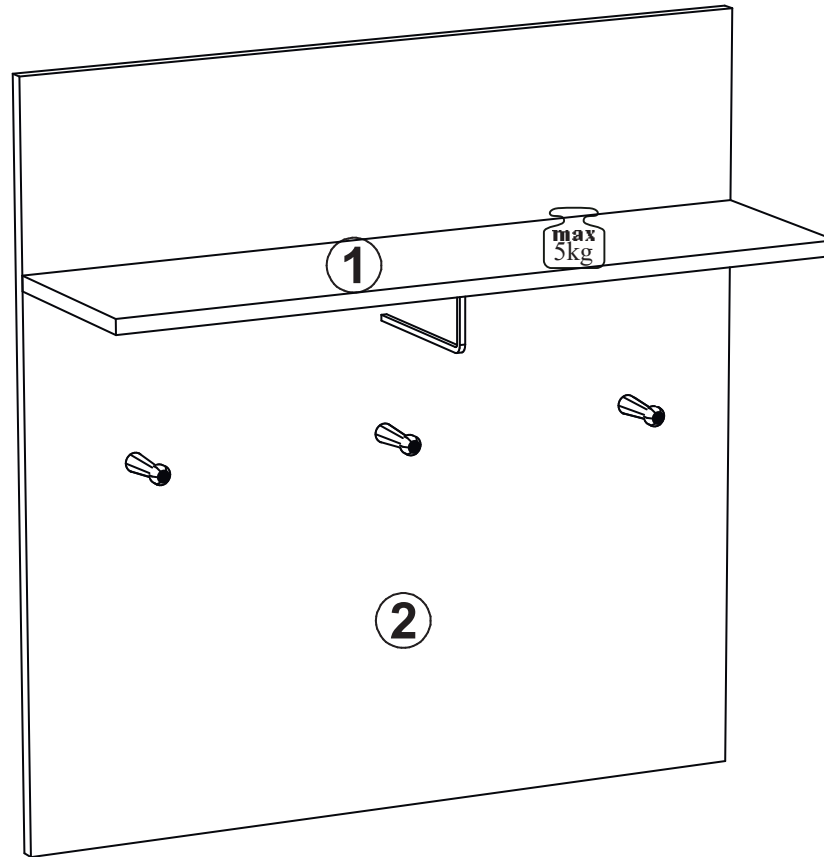


9

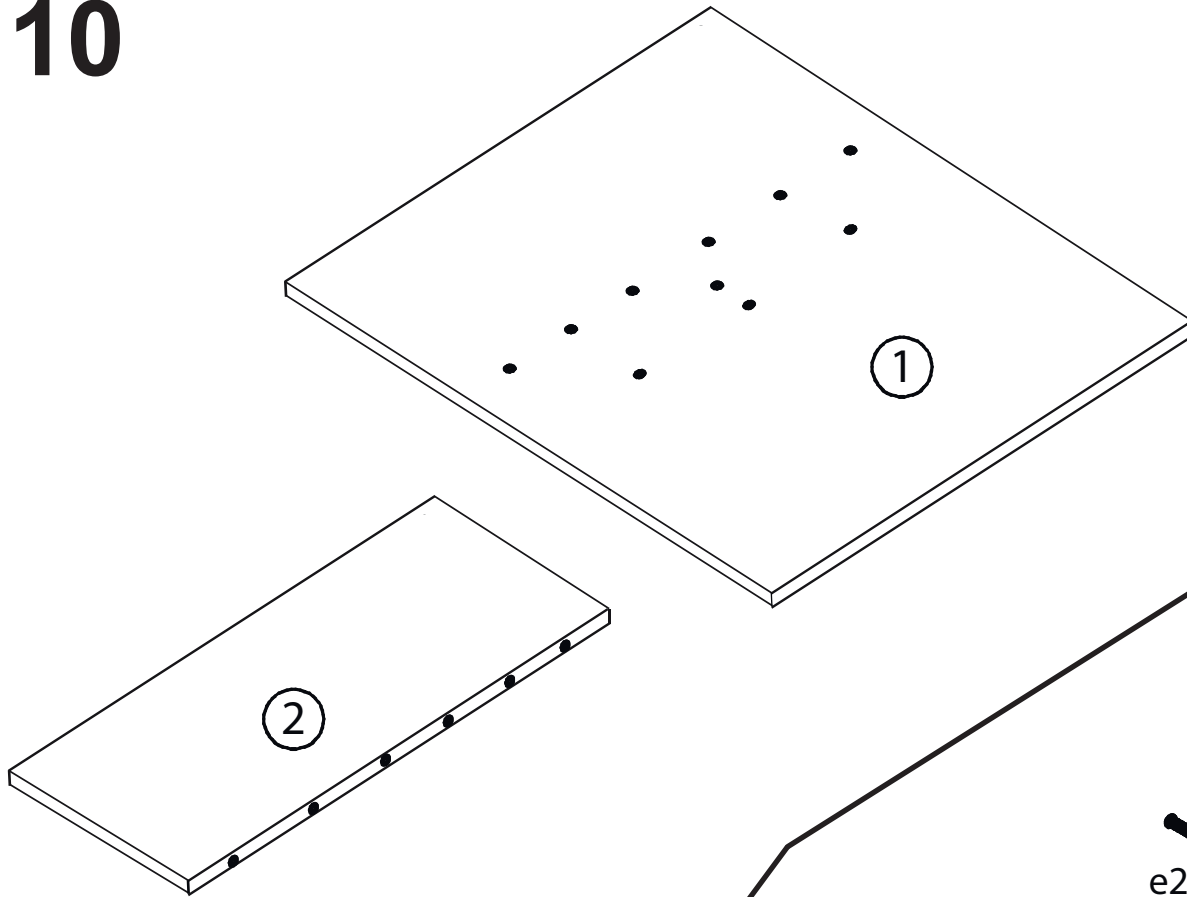




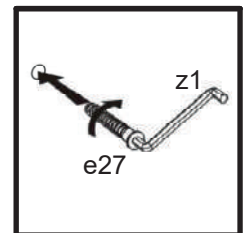
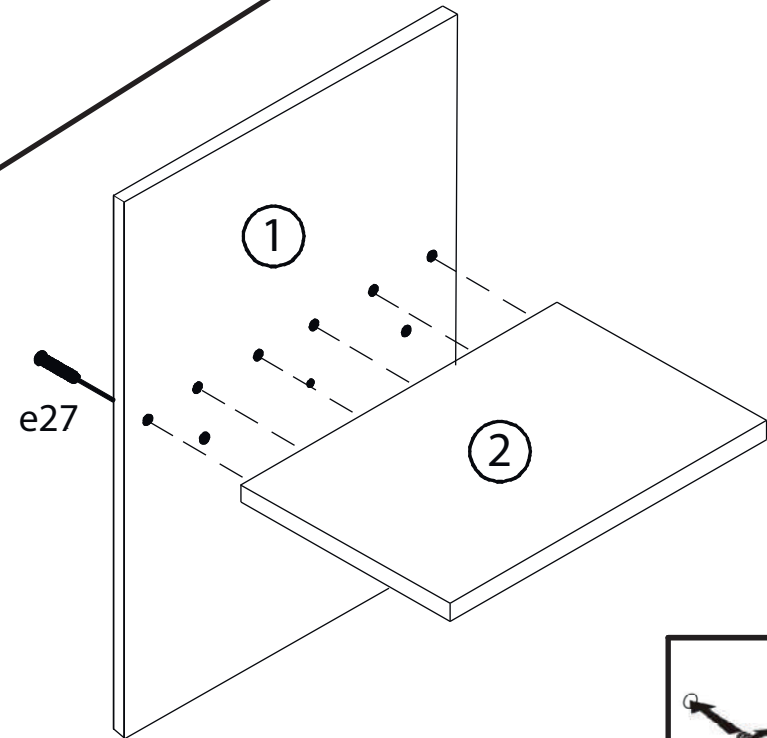
A	B	C	(mm)	Colli
1	3001	800	220	1/1
2	3002	800	800	1/1



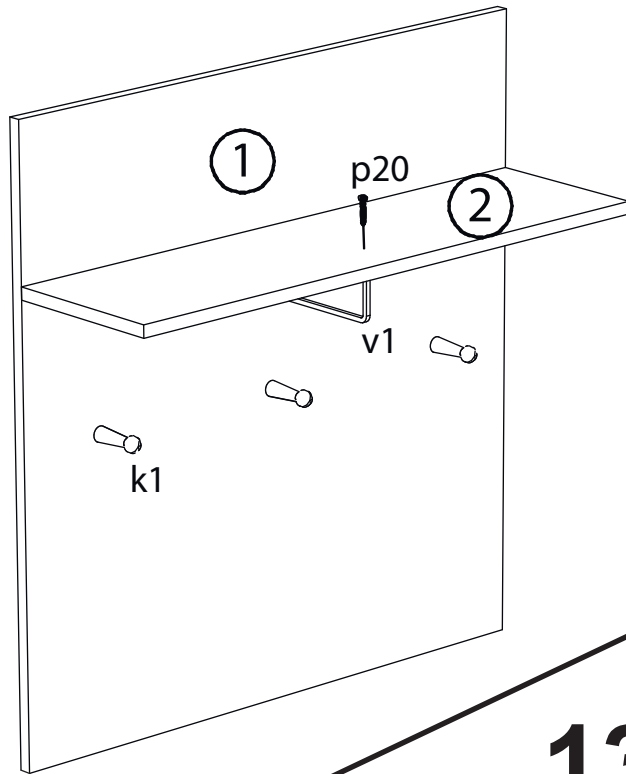
10



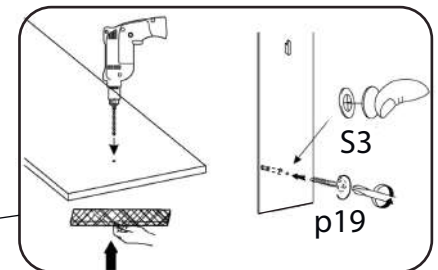
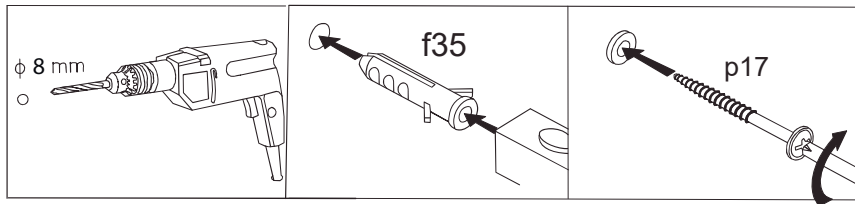
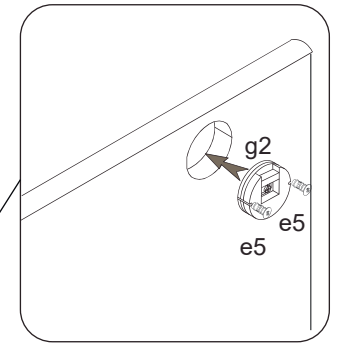
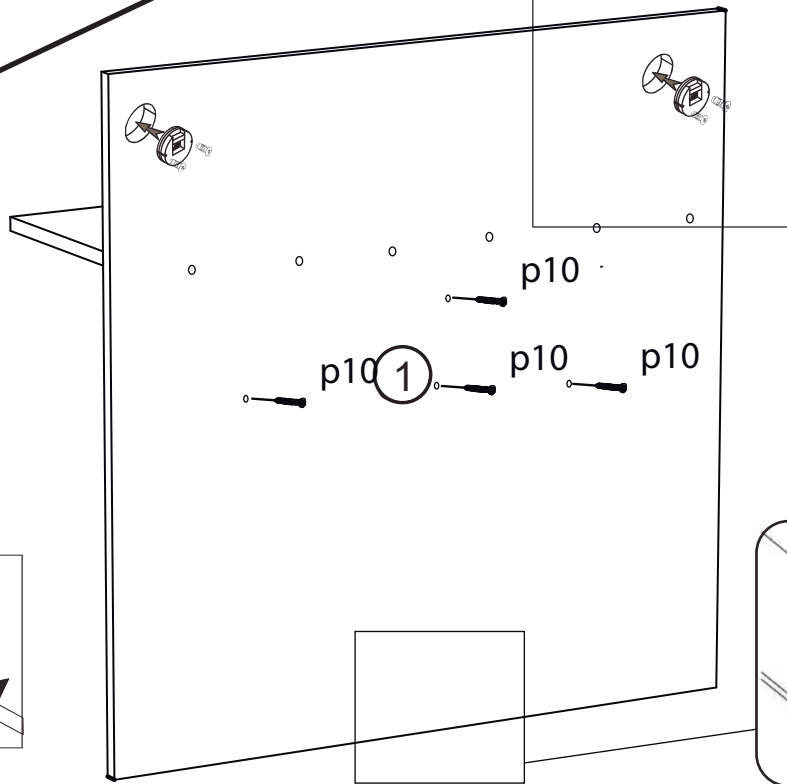
11

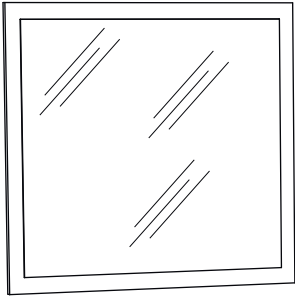


12

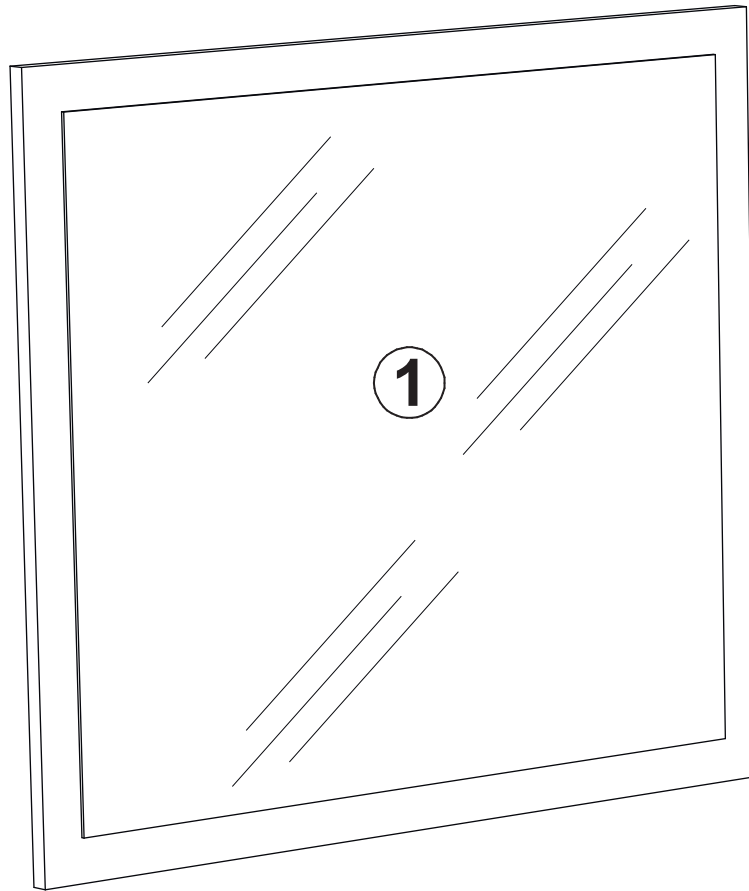


13

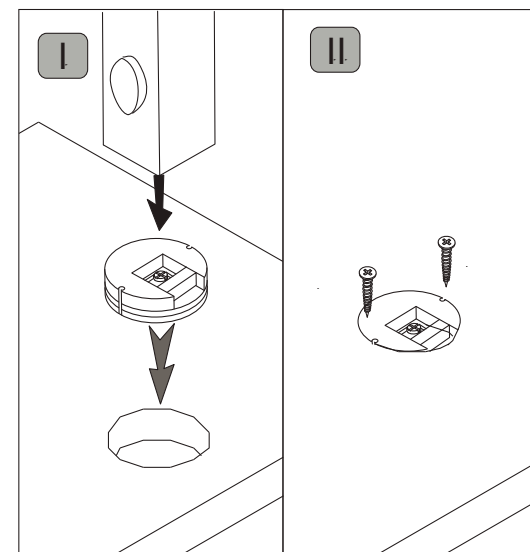
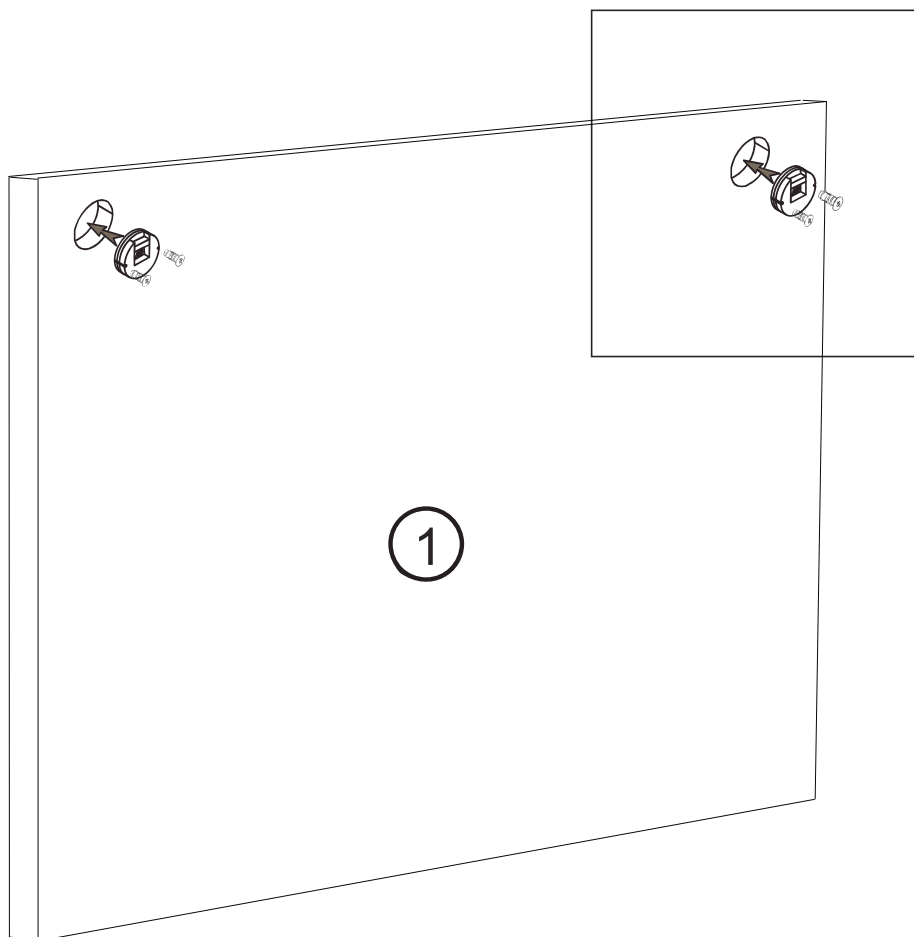
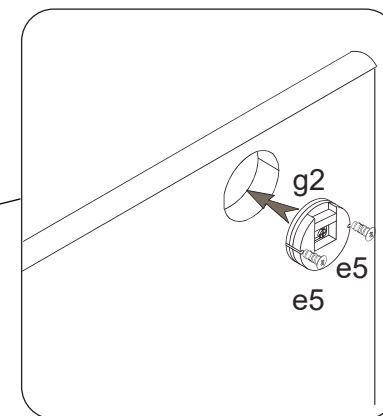
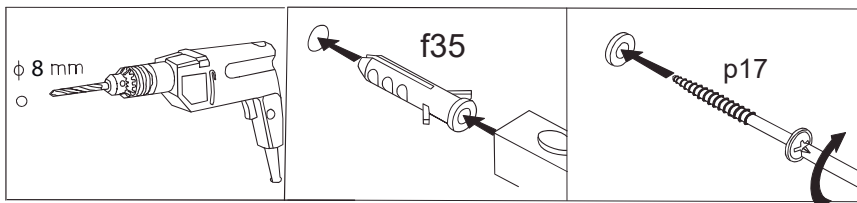




A	B	C	(mm)	Colli
1	4001	800	700	1/1

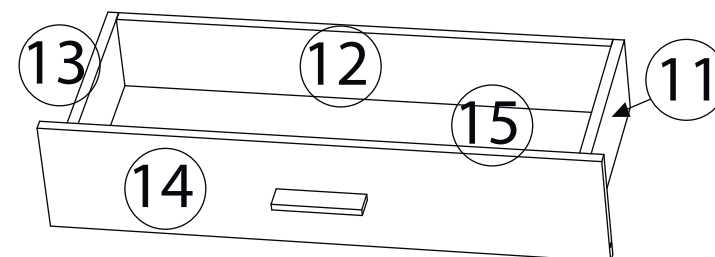
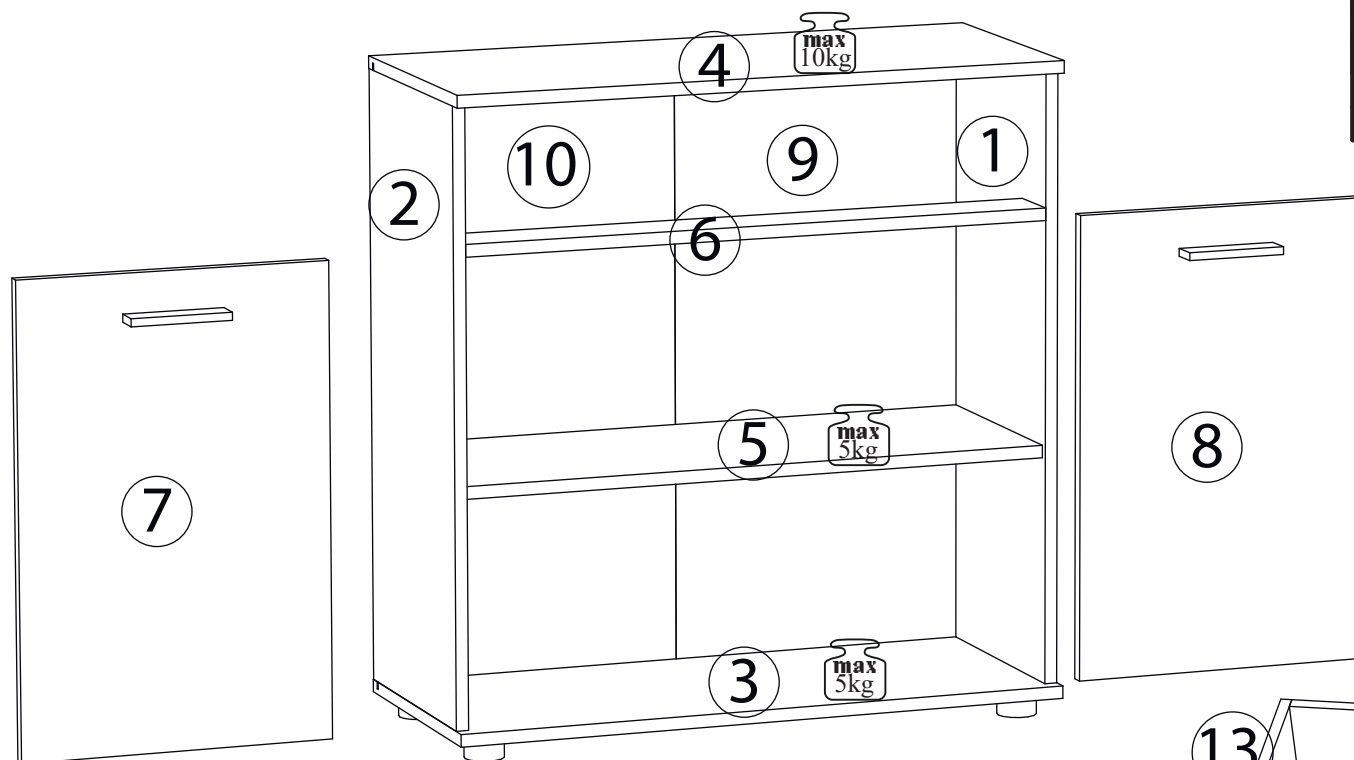


14

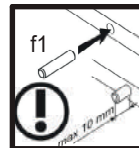
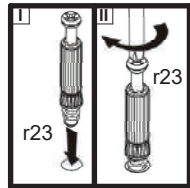
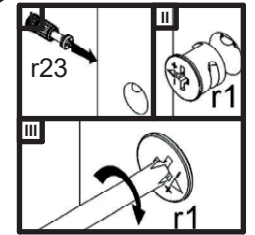
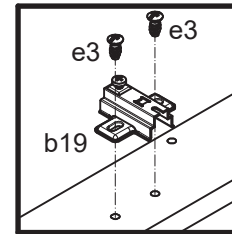
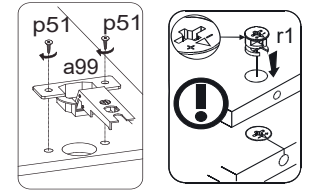
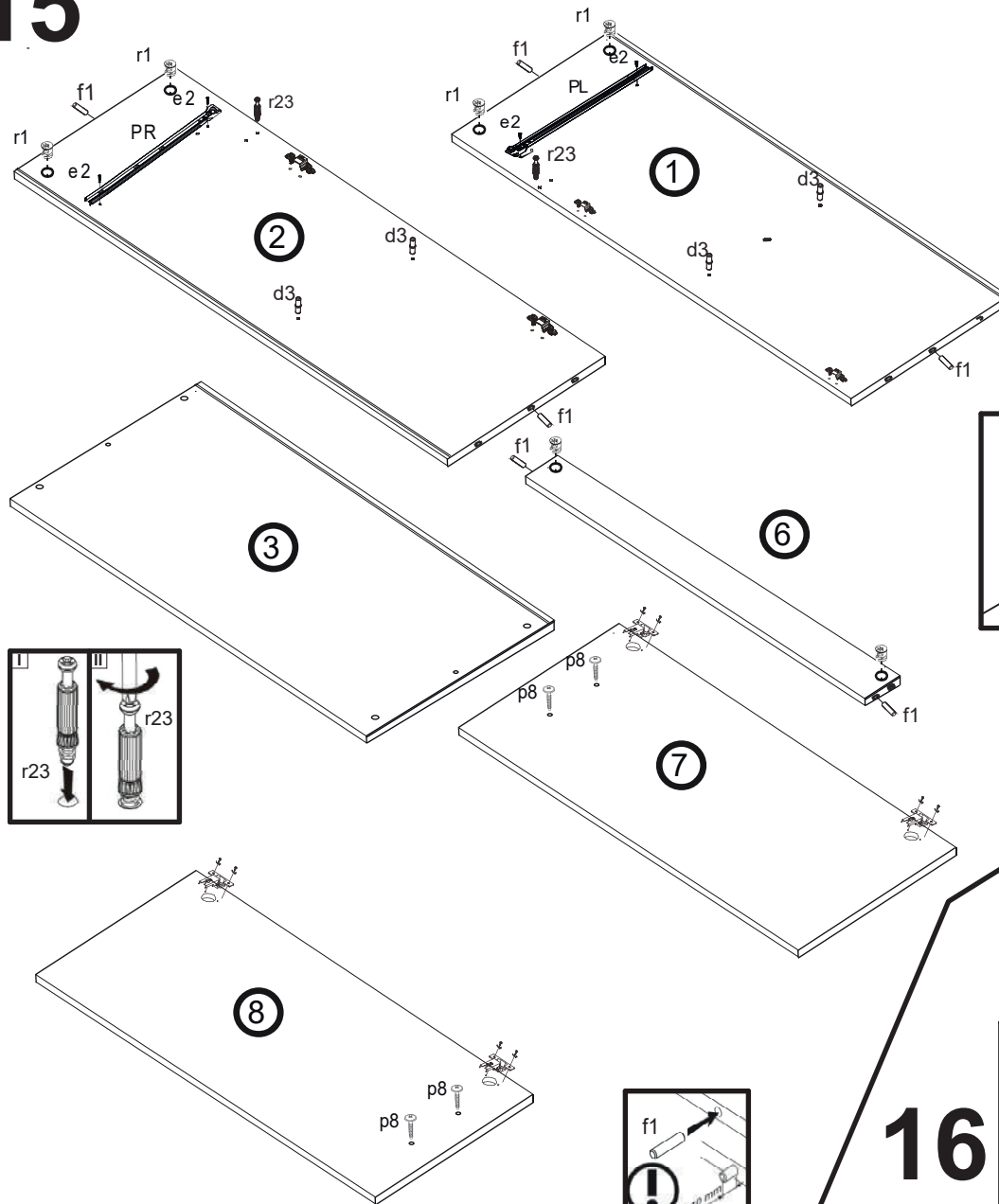




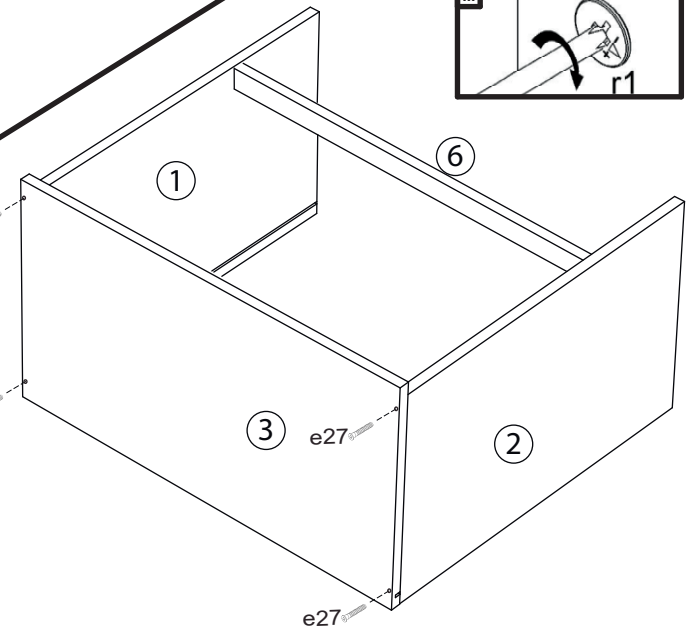
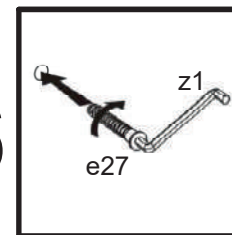
A	B	C	(mm)	Colli
1	5001	782	330	1/2
2	5002	782	330	1/2
3	5003	800	350	1/2
4	5004	800	350	1/2
5	5005	767	300	1/2
6	5006	767	300	1/2
7	5007	396	596	1/2
8	5008	396	596	2/2
9	5009	796	390	2/2
10	5010	796	390	2/2
11	5011	300	120	1/2
12	5012	710	120	1/2
13	5013	300	120	1/2
14	5014	796	176	2/2
15	5015	740	307	2/2



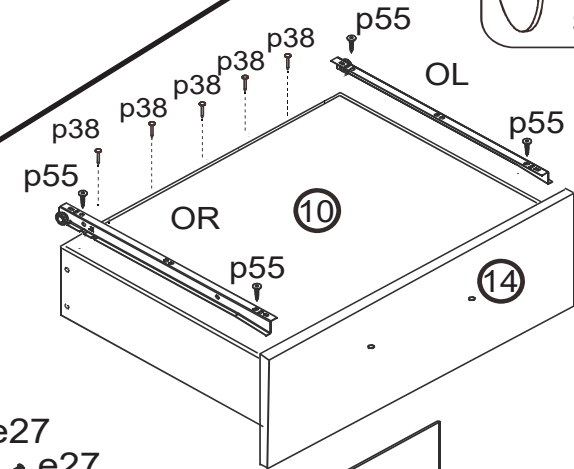
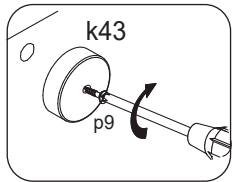
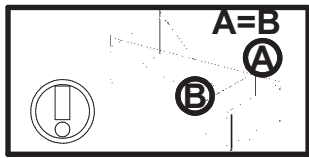
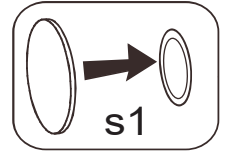
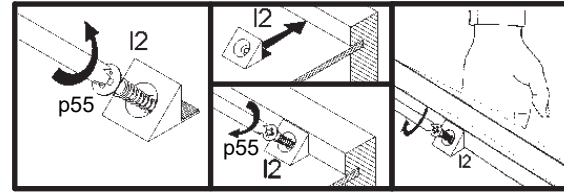
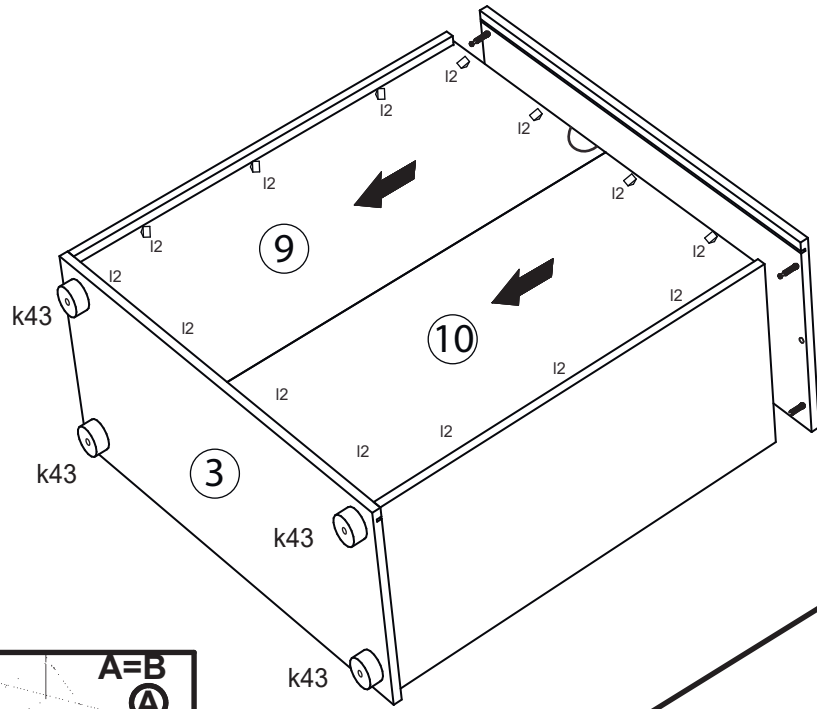
15



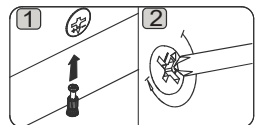
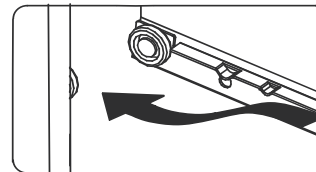
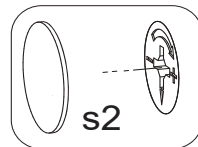
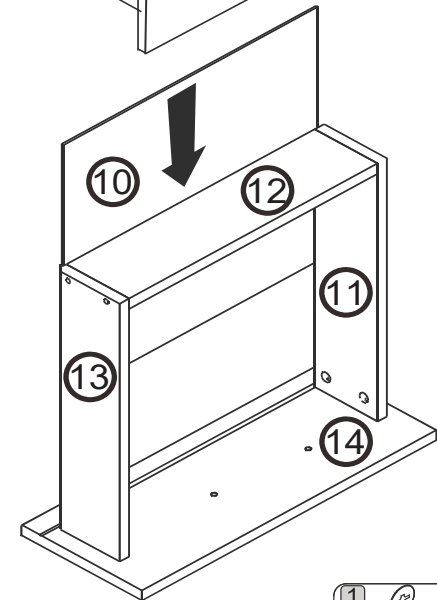
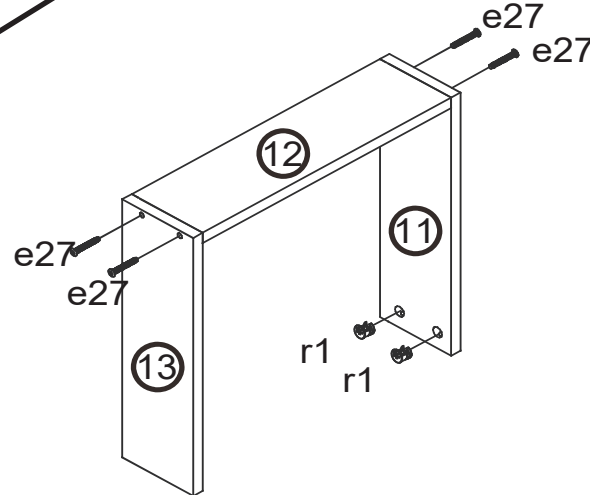
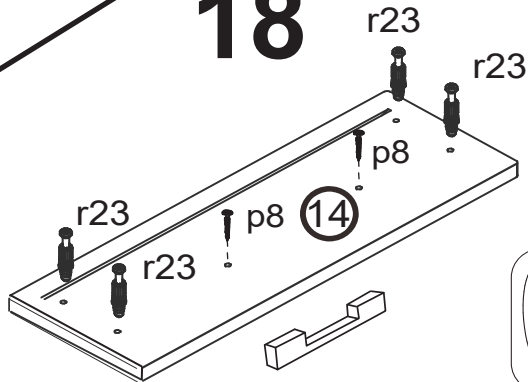
16



17



18



19

