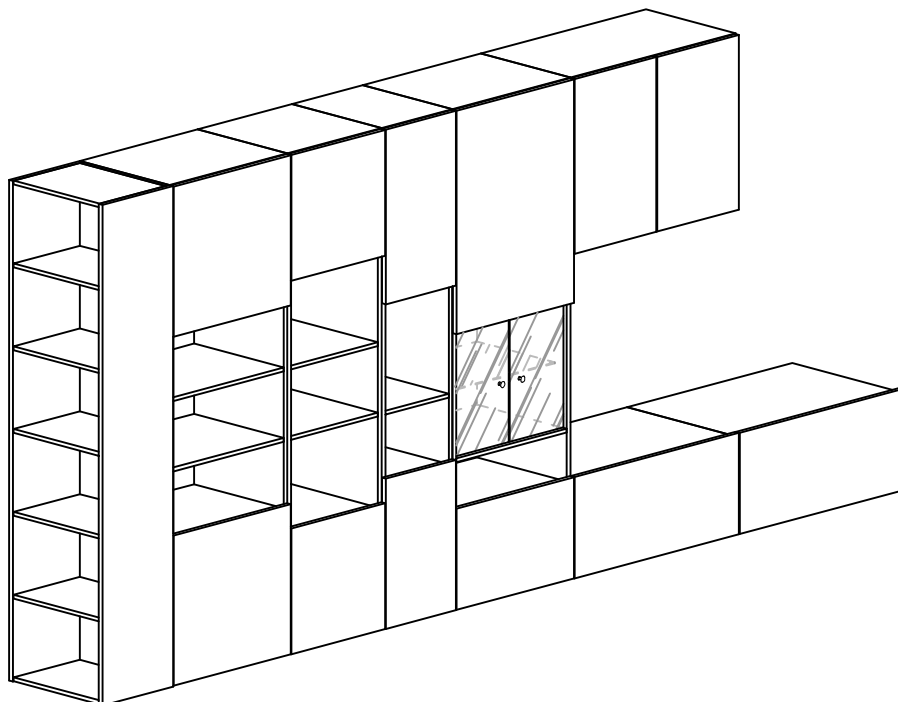
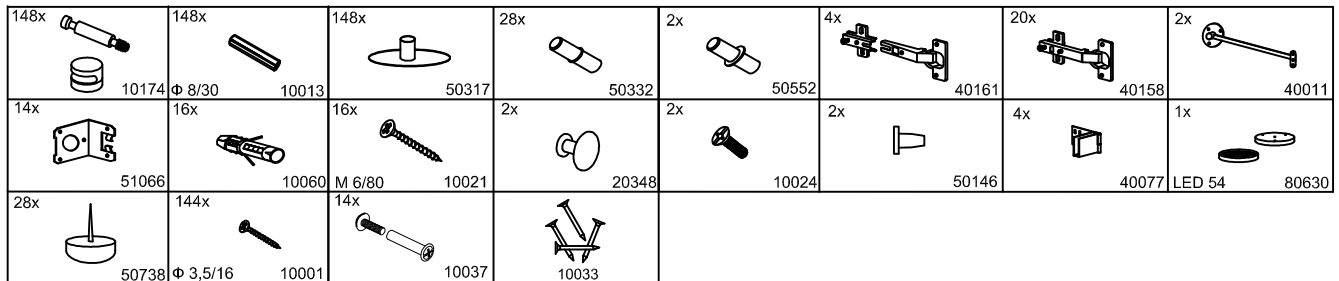
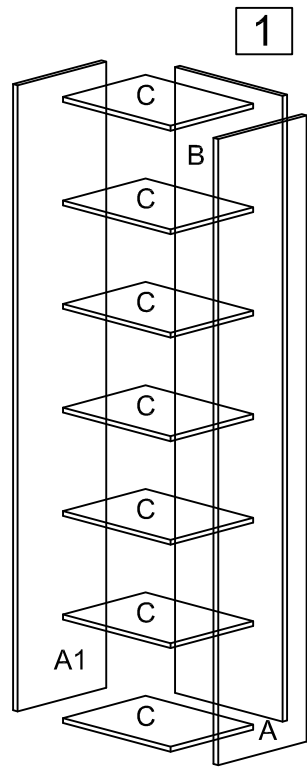


# Fluego

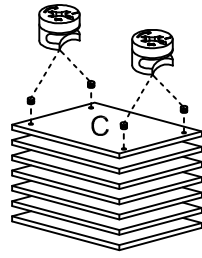
A, A1	2x 2050x300	1/11
B	2050x364	1/11
C	7x 280x364	1/11
D	2x 2018x380	2/11
E	4x 500x380	2,5/11
F	7x 468x380	2,5/11
G	3x 468x360	2,5/11
H	2x 590x495	10/11
I	863x495	10/11
J	2x 615x497	8/11
K	2x 2018x380	3/11
L	2x 400x380	5/11
M	4x 368x380	3/11
N	2x 880x395	10/11
O	287x395	10/11
P	2x 515x397	8/11
Q	2018x380	4/11
R	2018x380	4/11
S	2x 300x380	4/11
T	3x 268x380	4/11
U	2x 268x360	4/11
V	690x295	10/11

W	763x295	10/11
X	590x295	10/11
Y	715x297	9/11
Z	615x297	9/11
AA	2018x380	5/11
AB	2018x380	5/11
AC	466x330	11/11
AD	890x495	10/11
AE	548x495	10/11
AF	605x495	10/11
AG	915x497	10/11
AH	415x497	8/11
AI	2x 228x508	11/11
AJ	4x 368x460	6/11
AK	4x 700x460	6/11
AL	2x 395x695	10/11
AM	2x 415x697	9/11
AN	2x 668x380	7/11
AO	2x 700x380	7/11
AP	668x360	7/11
AQ	2x 347x695	10/11
AR	2x 715x347	9/11

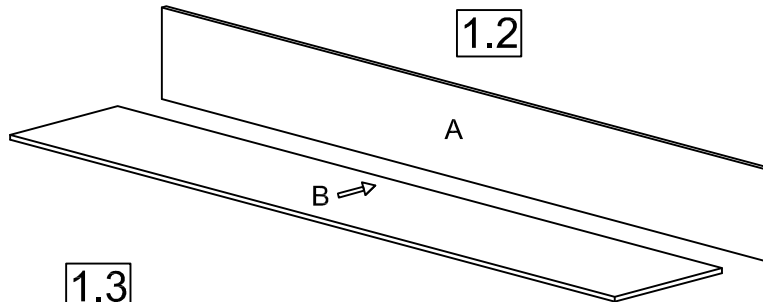
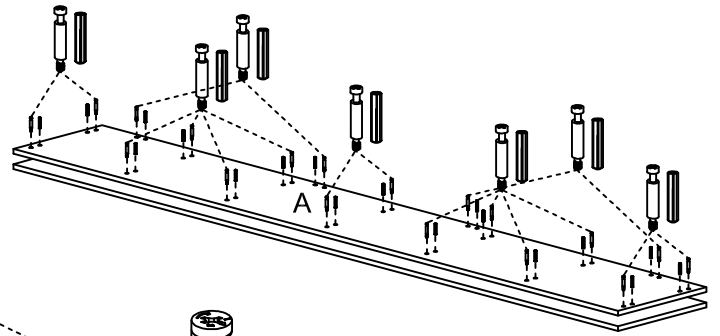
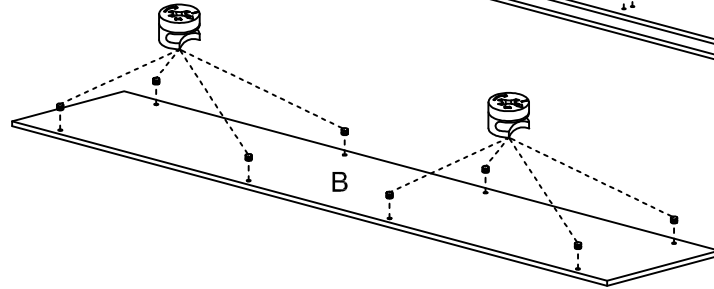
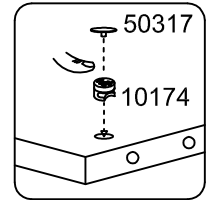
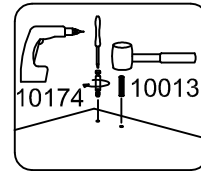




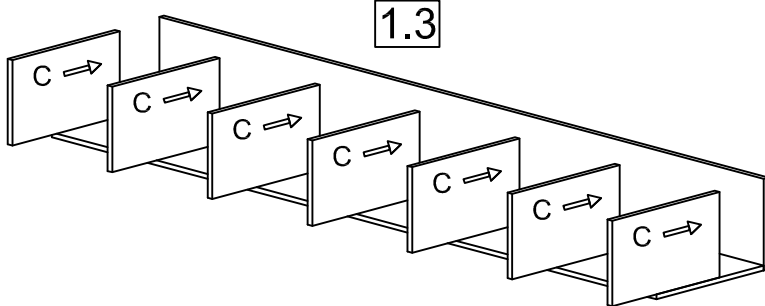
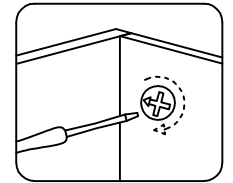
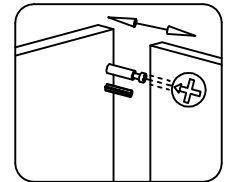
1



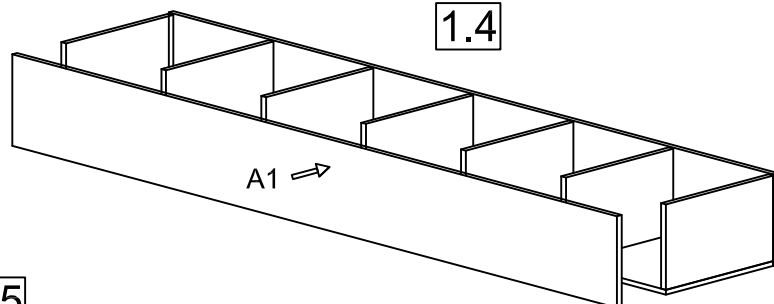
1.1



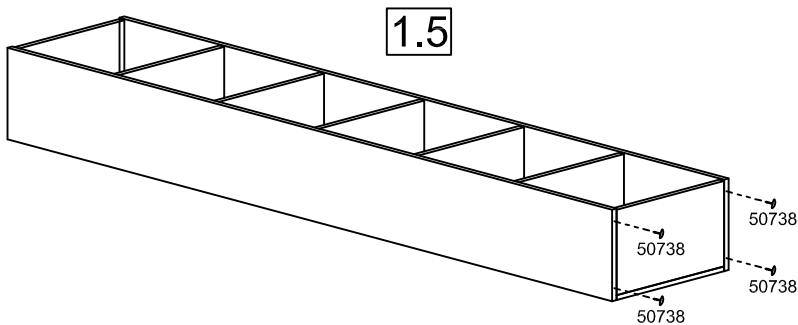
1.2



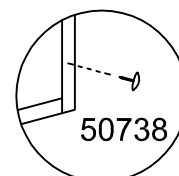
1.3



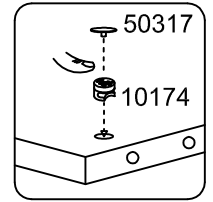
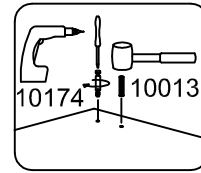
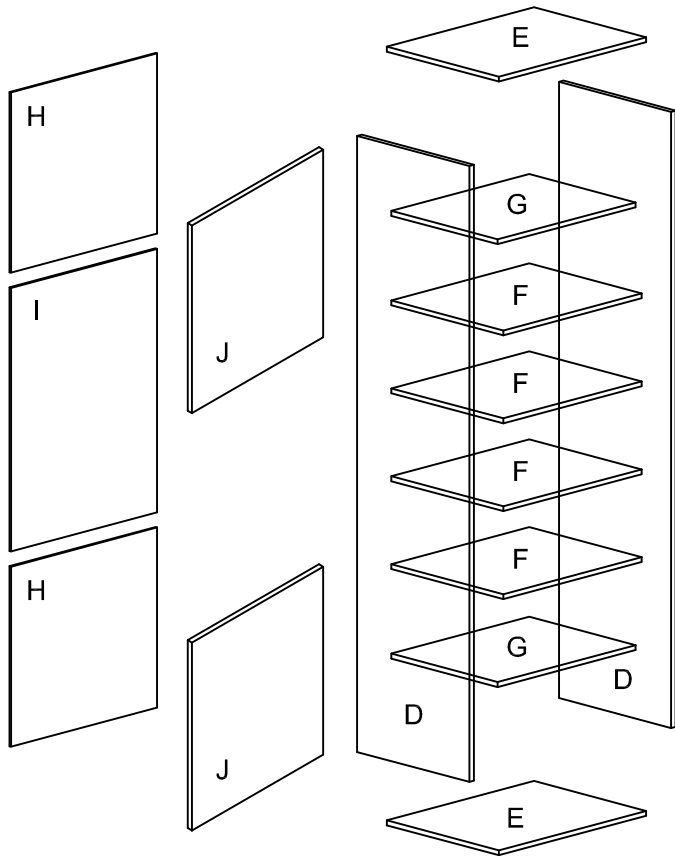
1.4



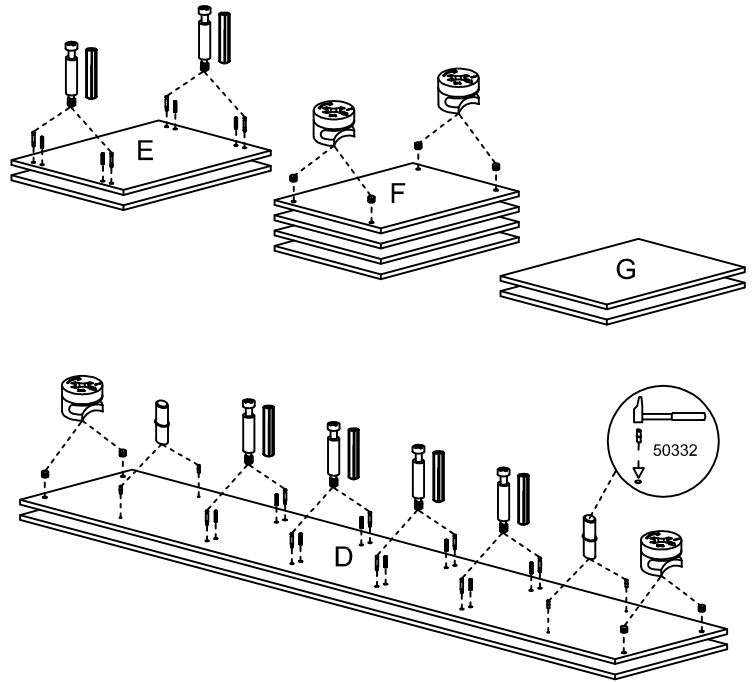
1.5



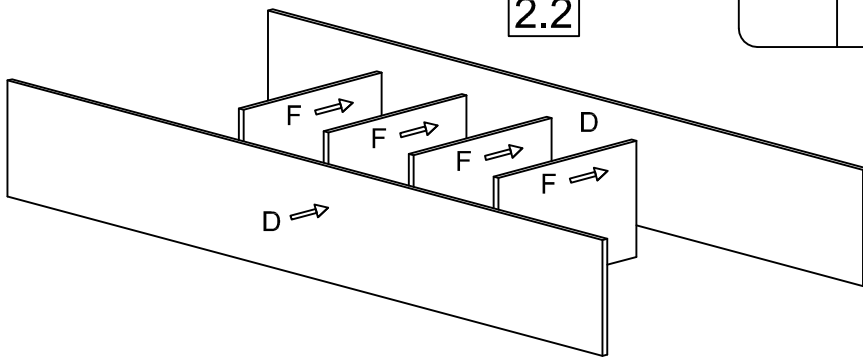
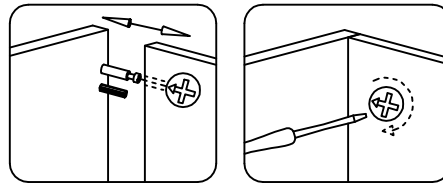
2



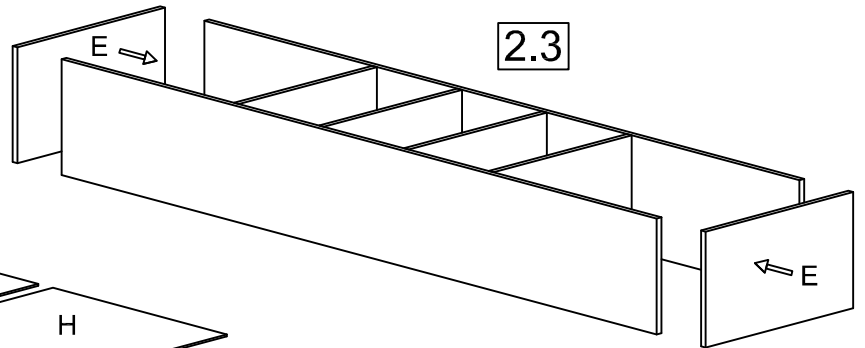
2.1



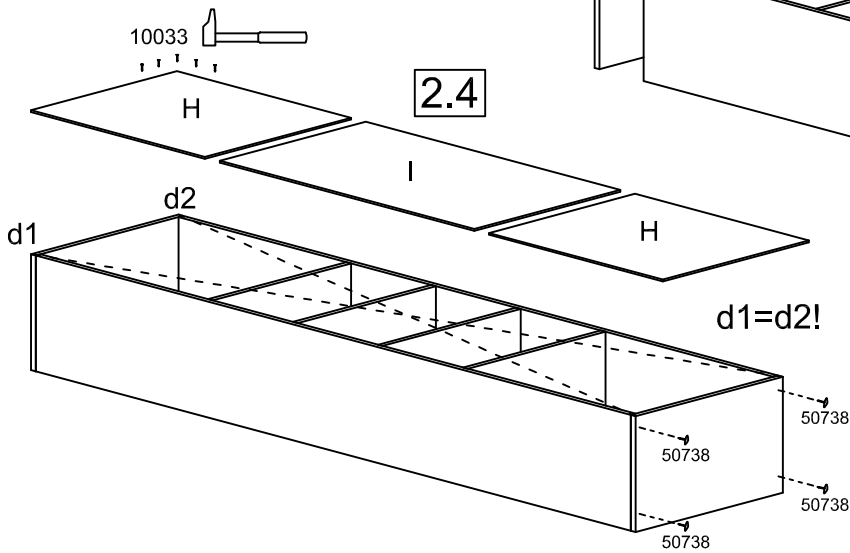
2.2

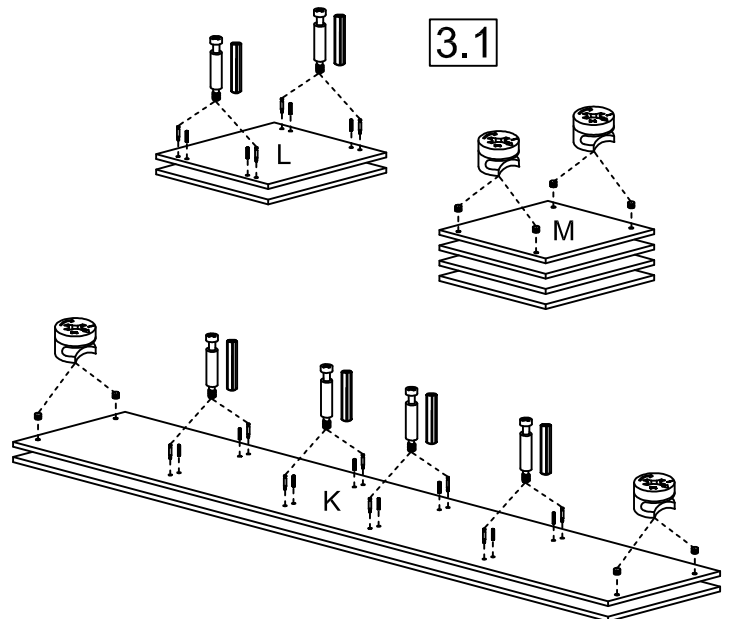
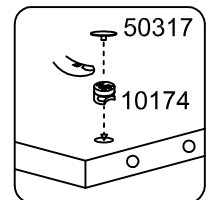
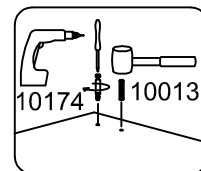
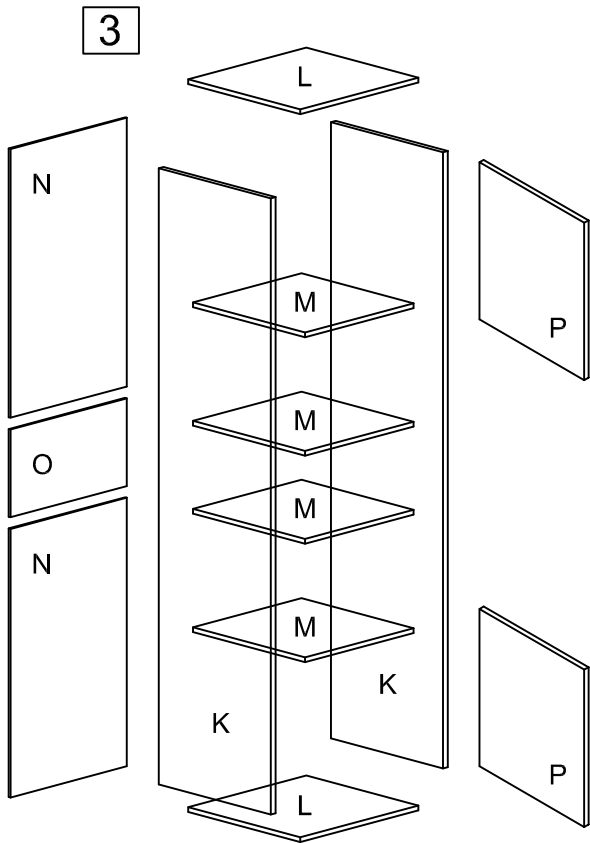
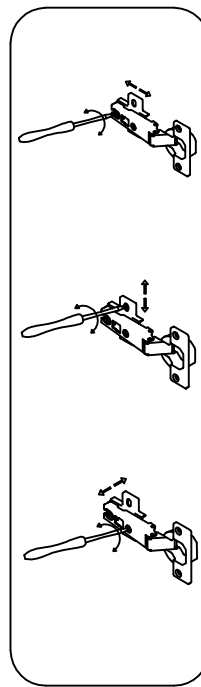
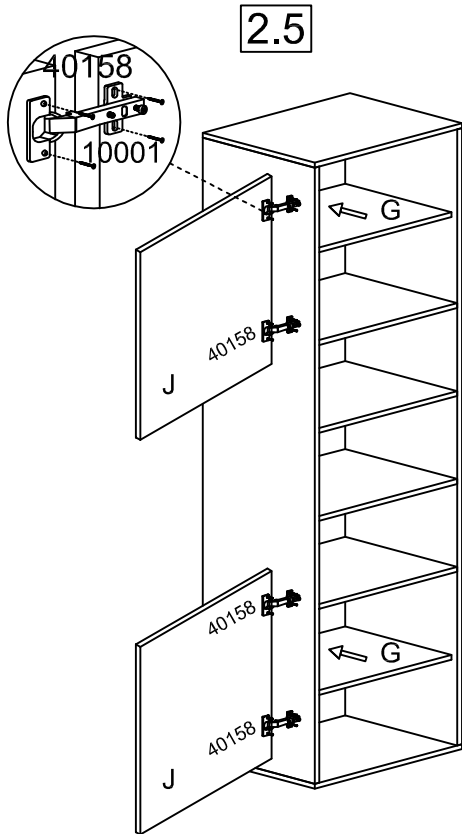


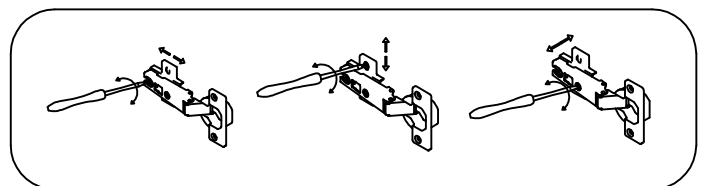
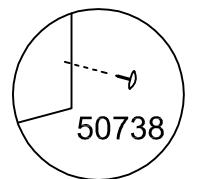
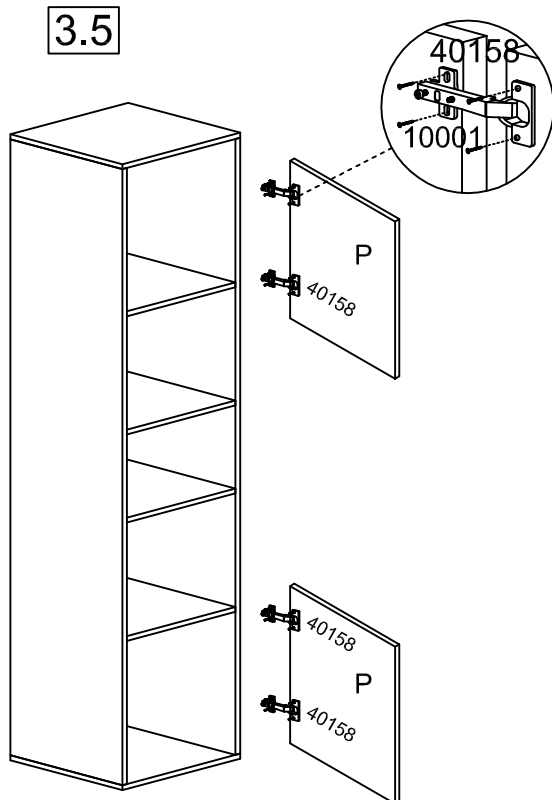
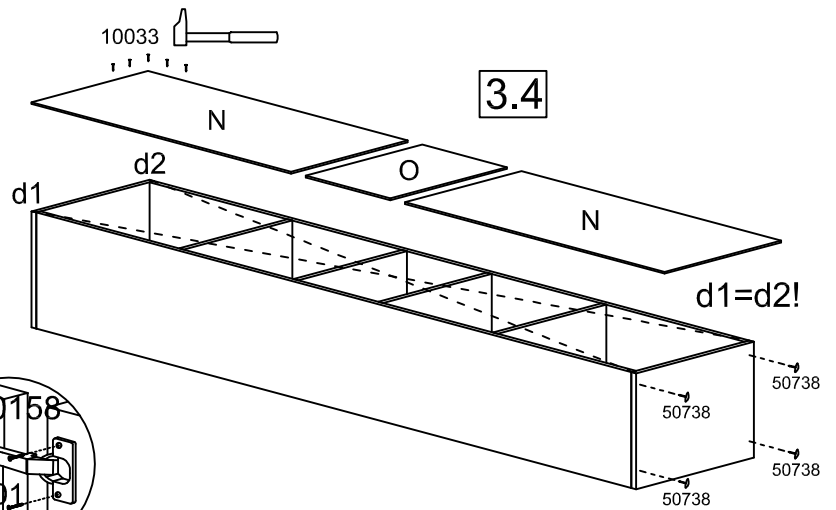
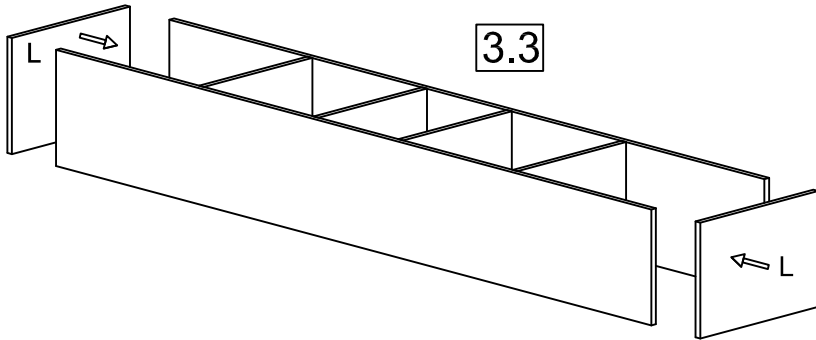
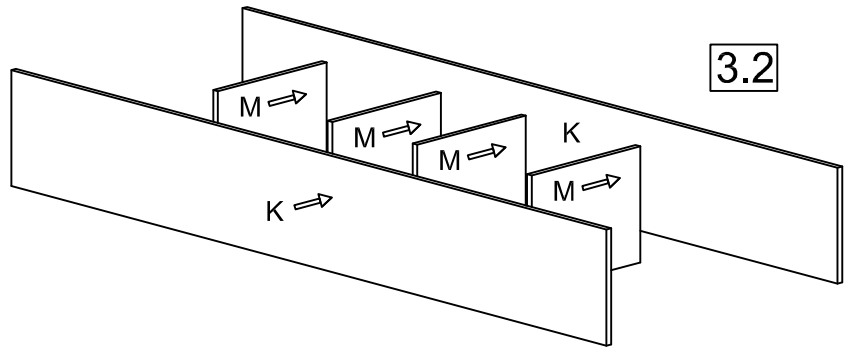
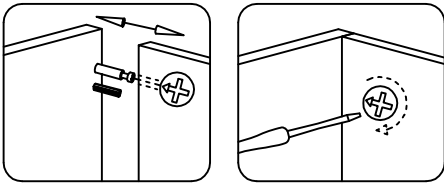
2.3



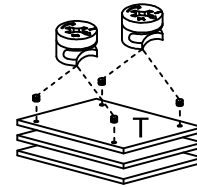
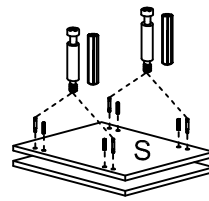
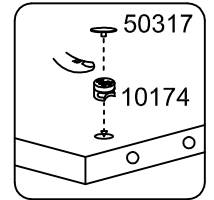
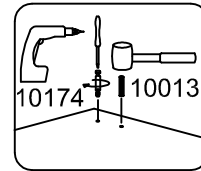
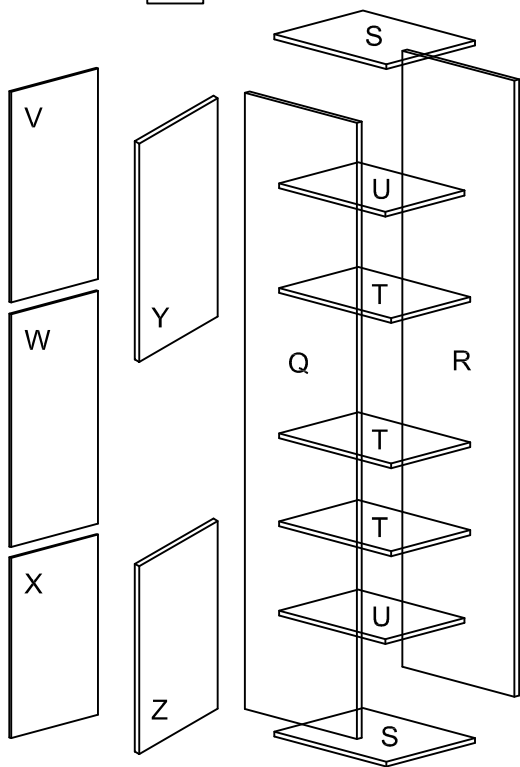
2.4



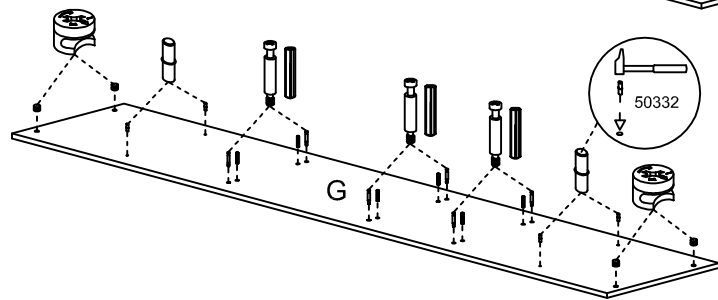
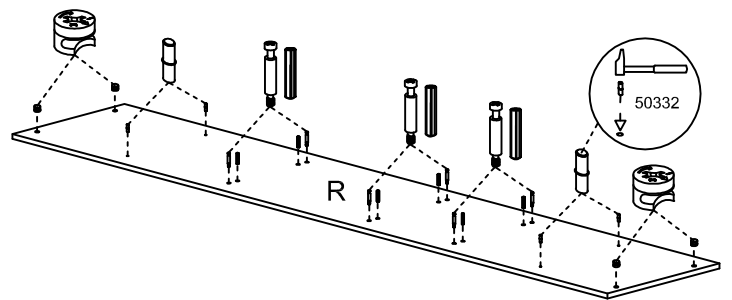




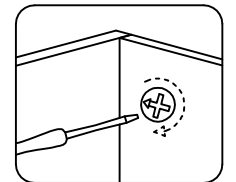
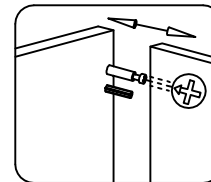
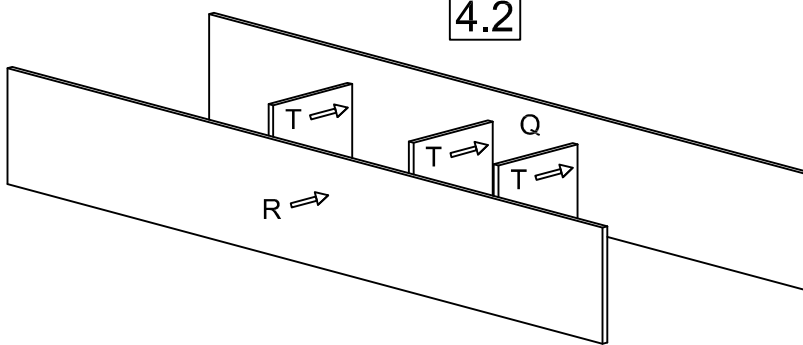
4



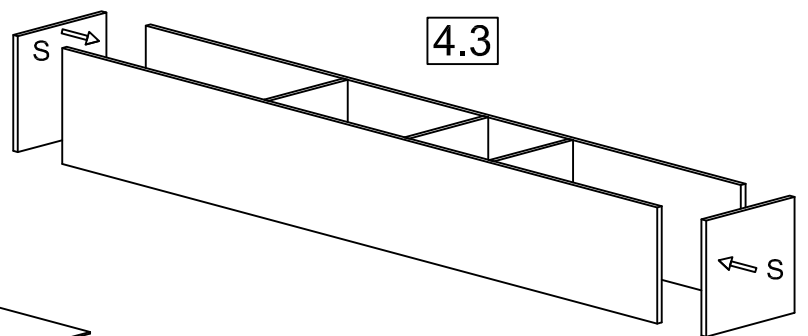
4.1



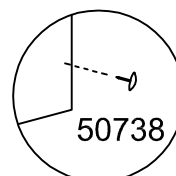
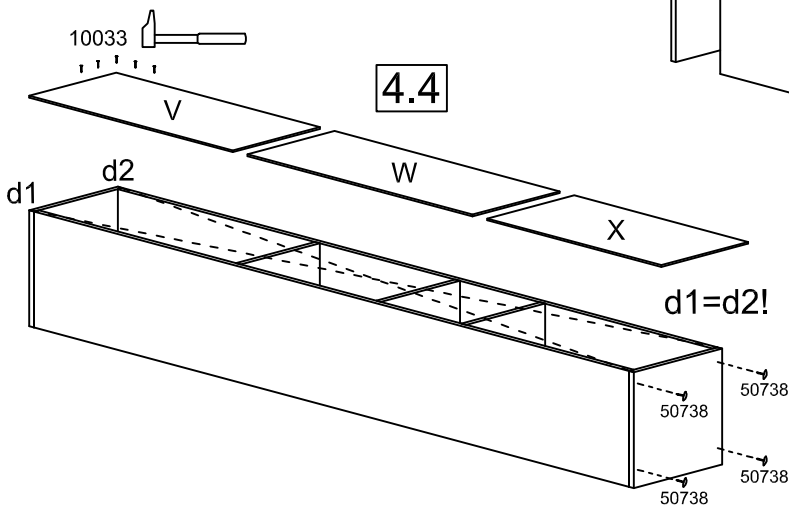
4.2

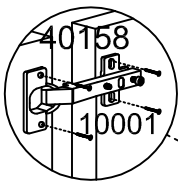


4.3

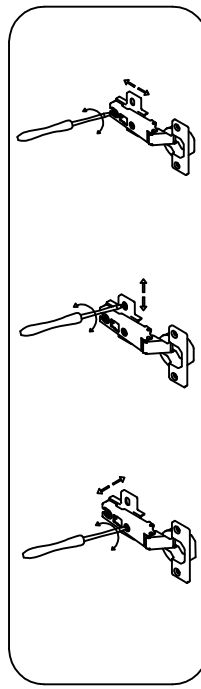
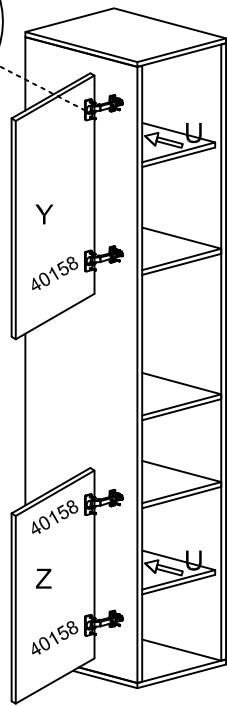


4.4

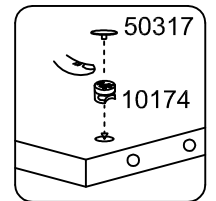
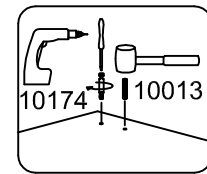
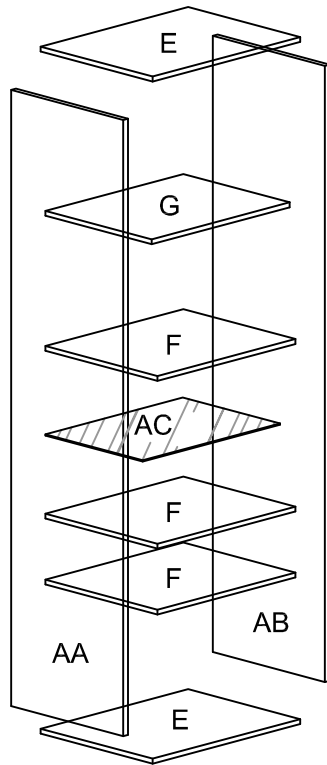
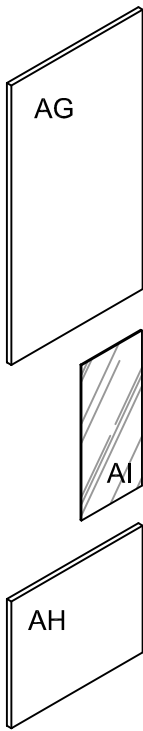
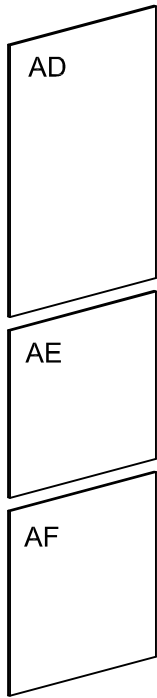




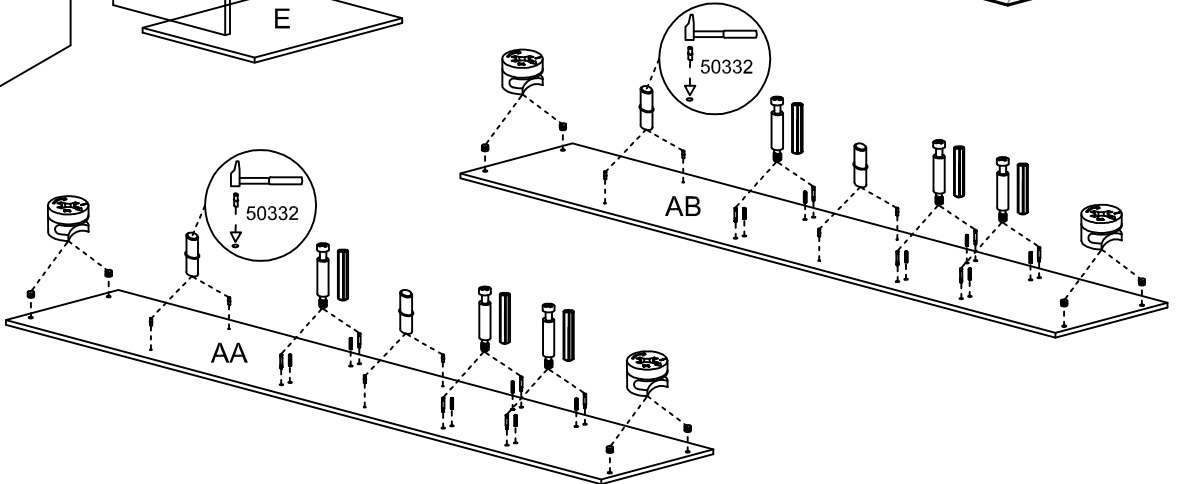
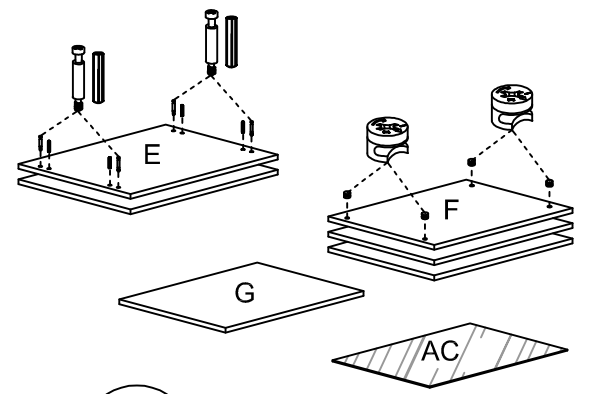
4.5

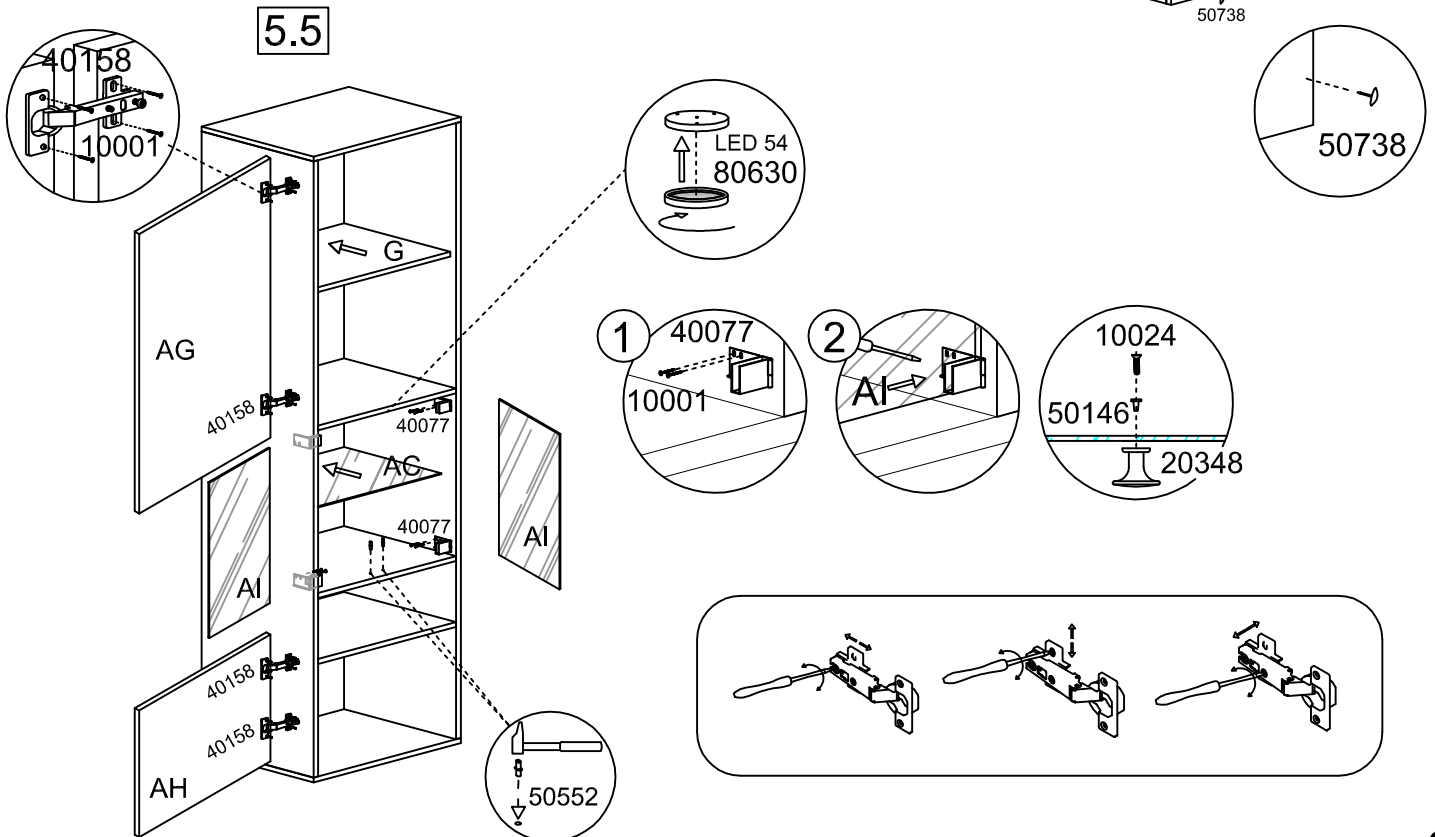
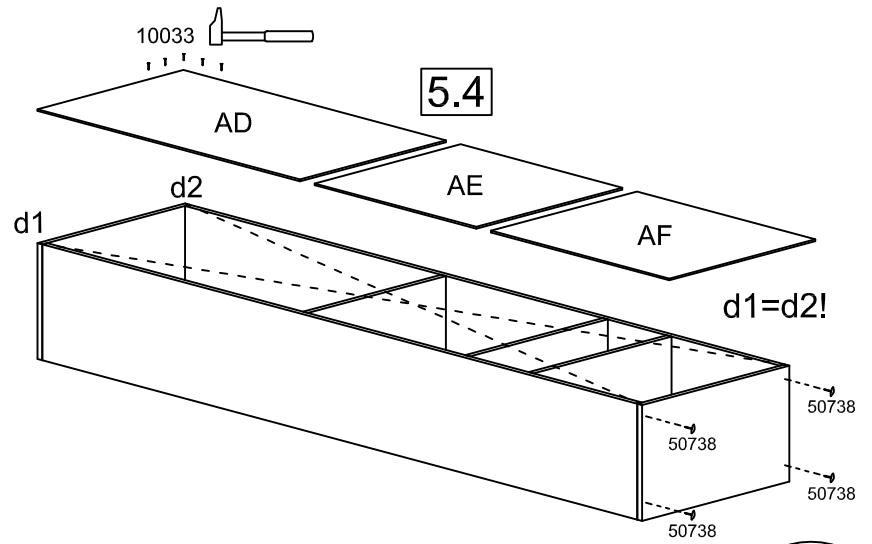
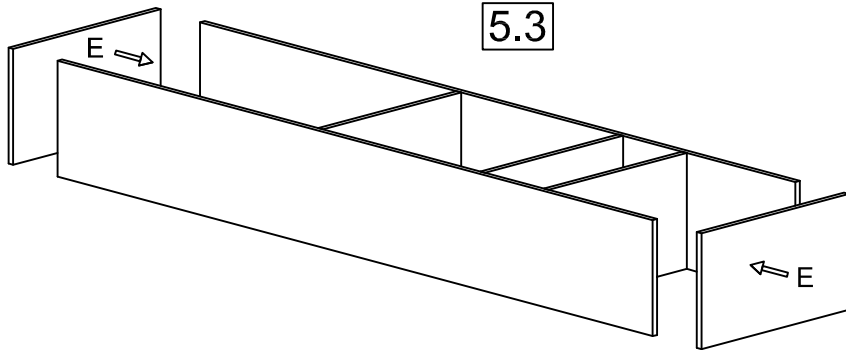
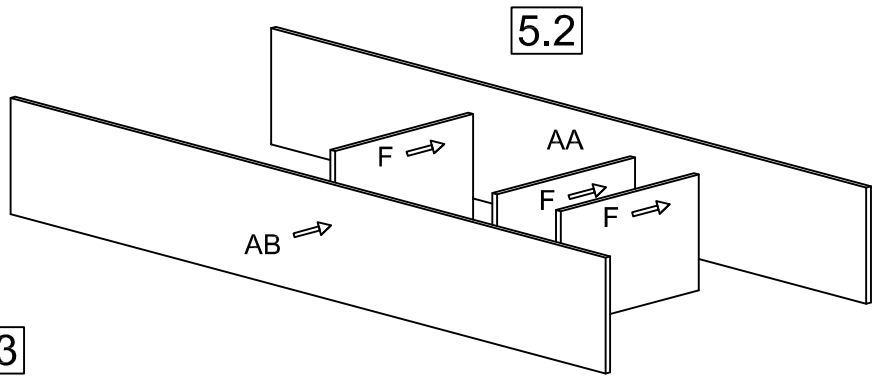
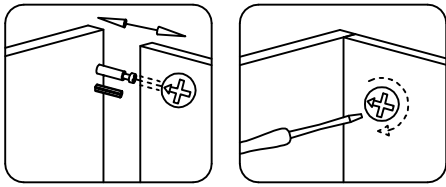


5



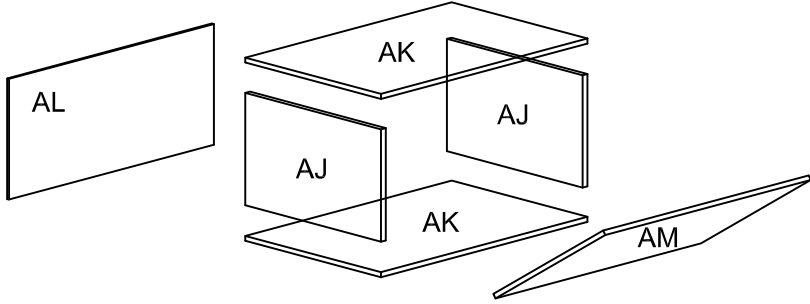
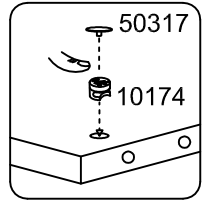
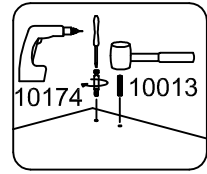
5.1



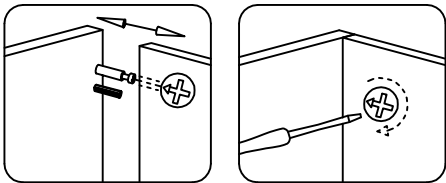
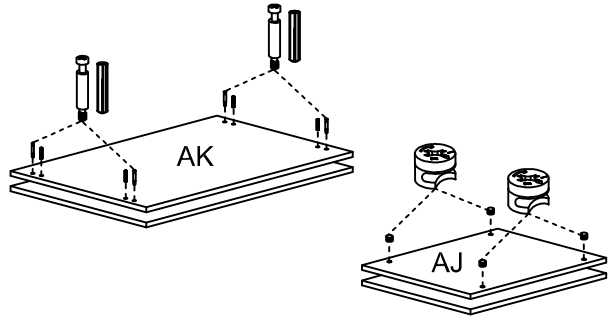




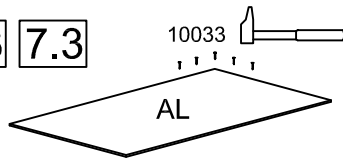
6 7



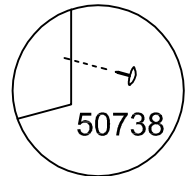
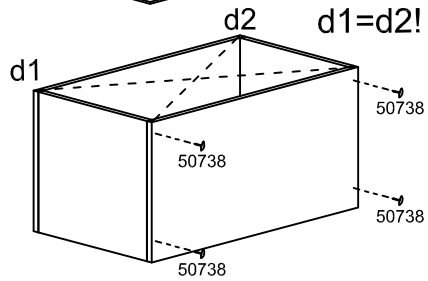
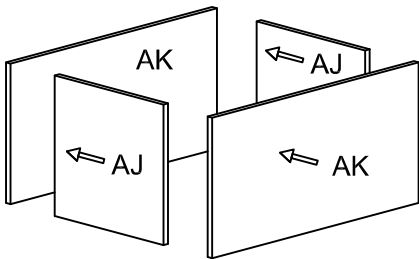
6.1 7.1



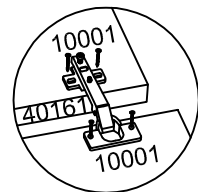
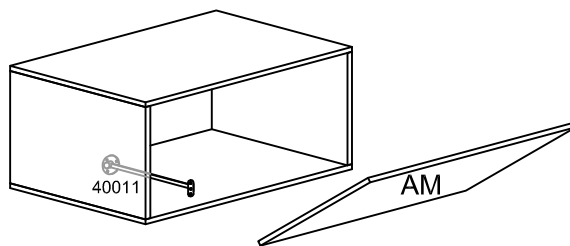
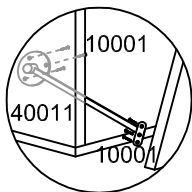
6.3 7.3



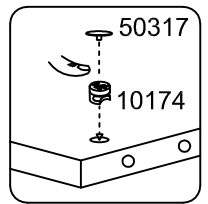
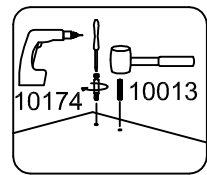
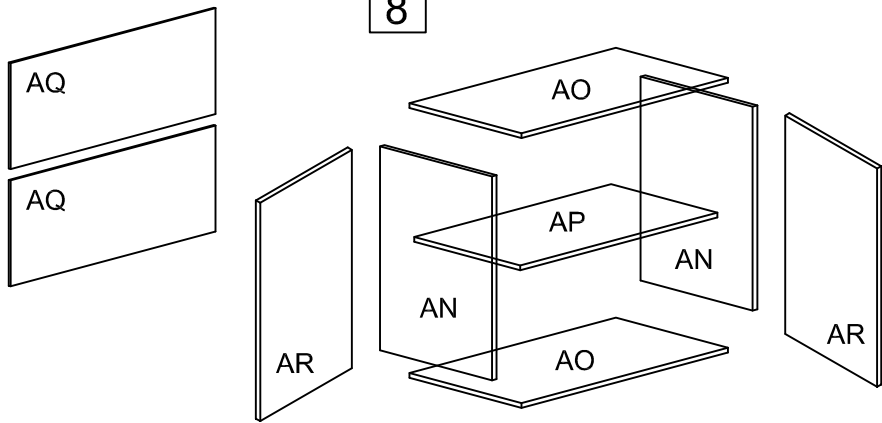
6.2 7.2



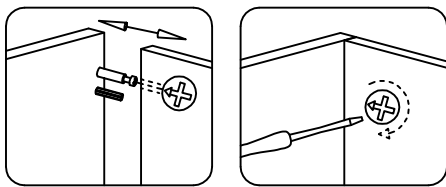
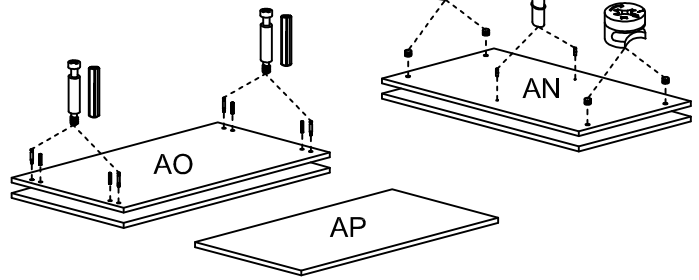
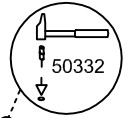
6.4 7.4



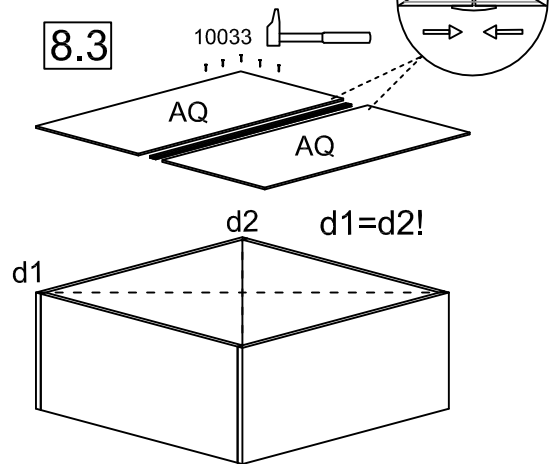
8



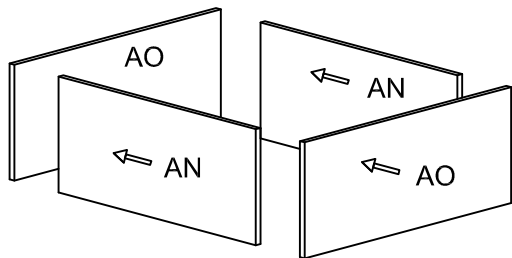
8.1



8.3



8.2



8.4

