



45 min



HDPE



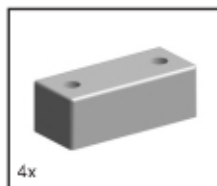
LDPE



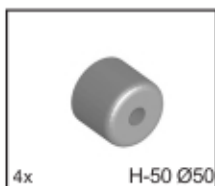
wer. P



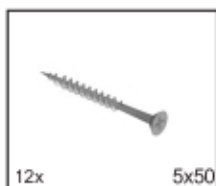
wer. L



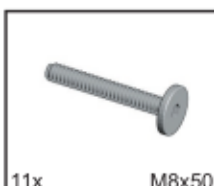
4x



4x H-50 Ø50



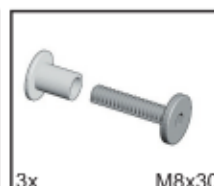
12x 5x50



11x M8x50



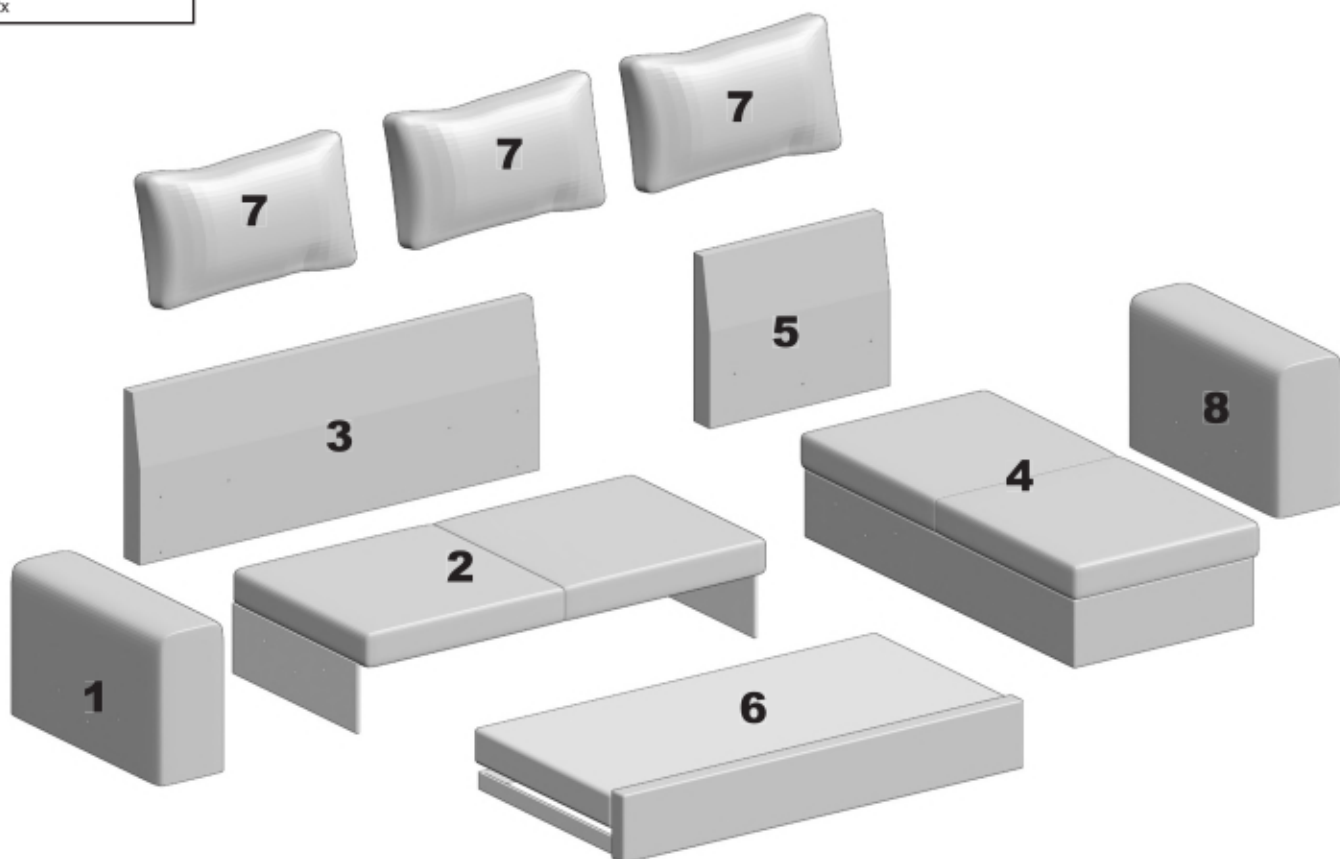
4x M8x70

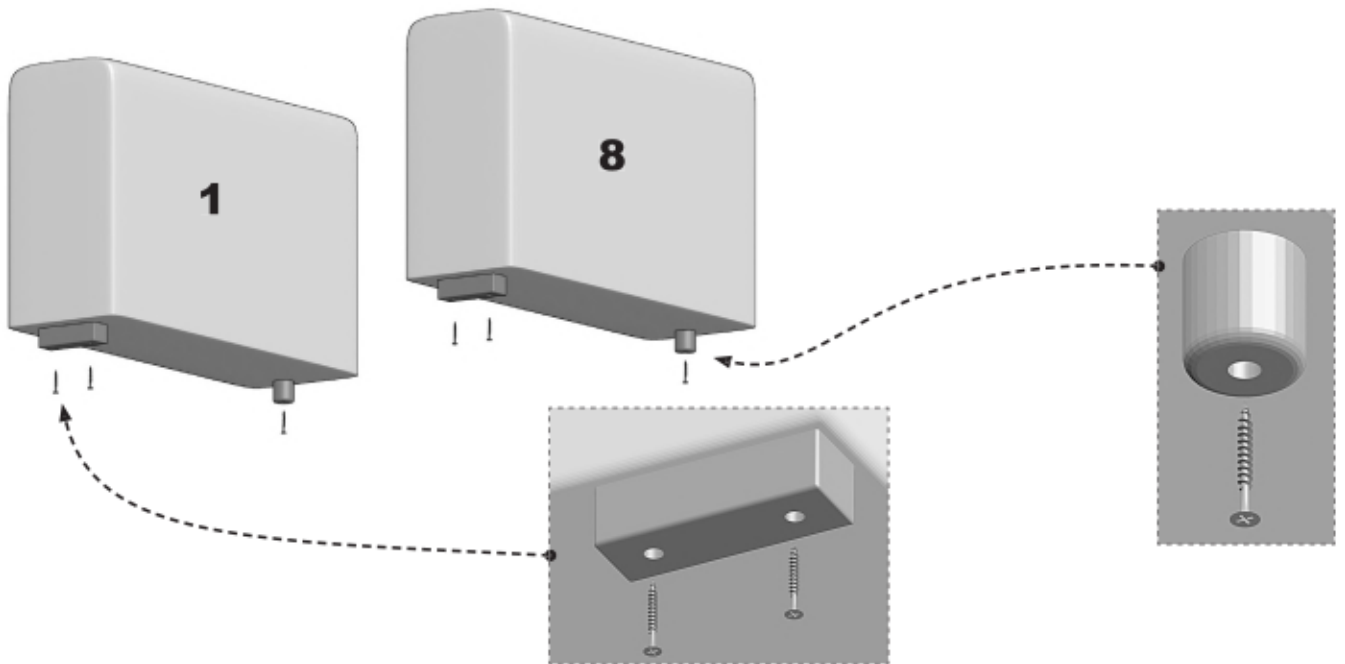
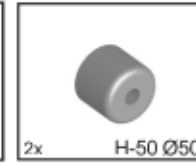
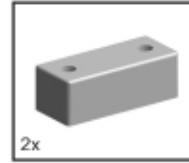
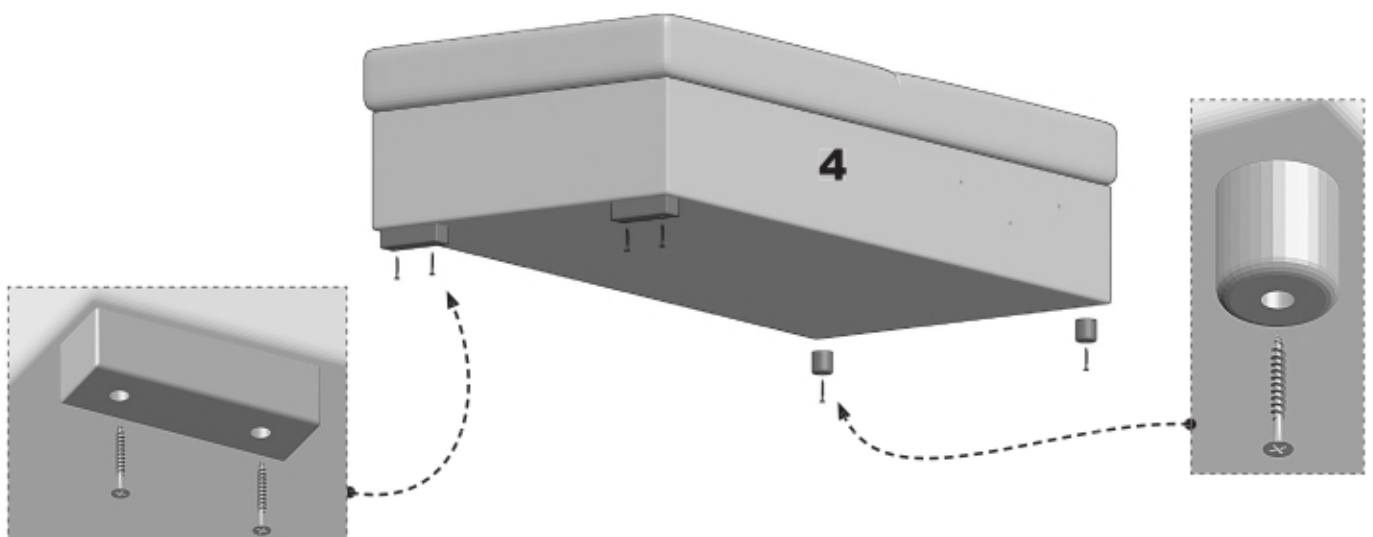
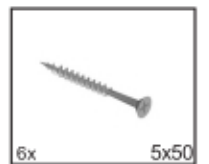
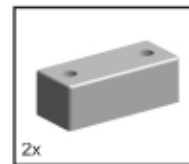


3x M8x30

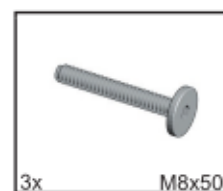
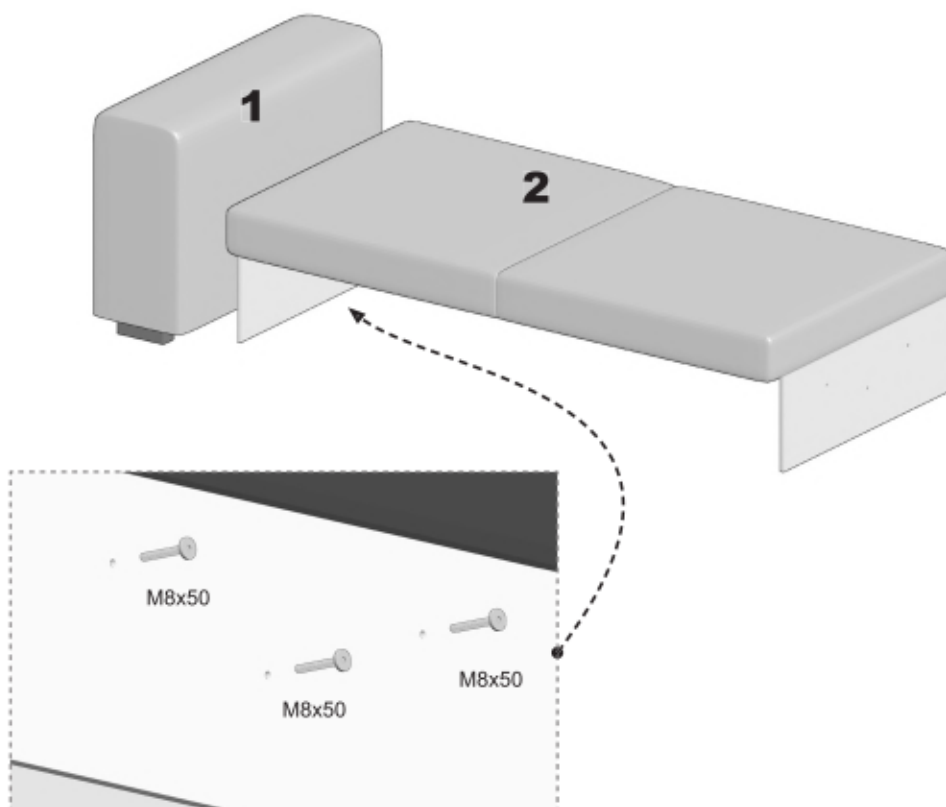


2x

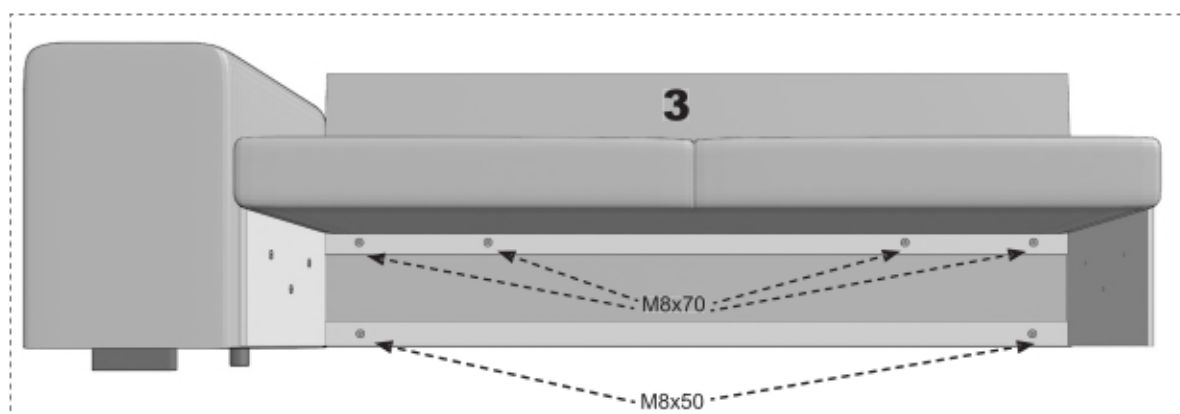
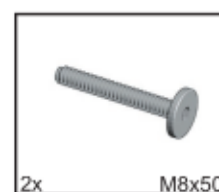
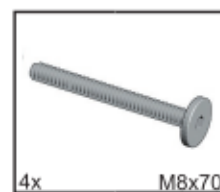
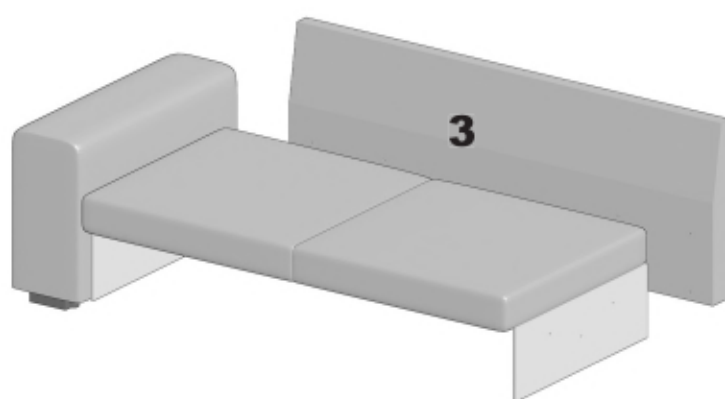


**1****2**

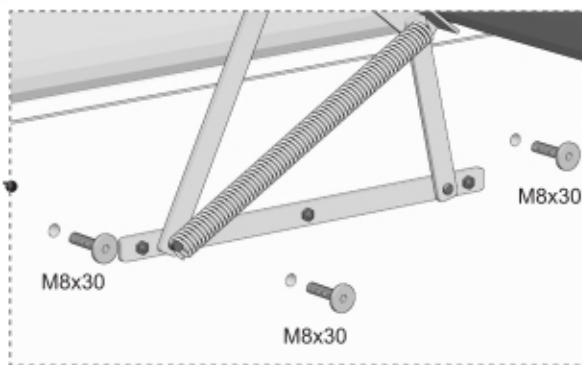
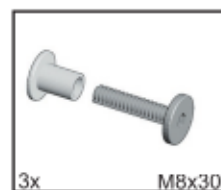
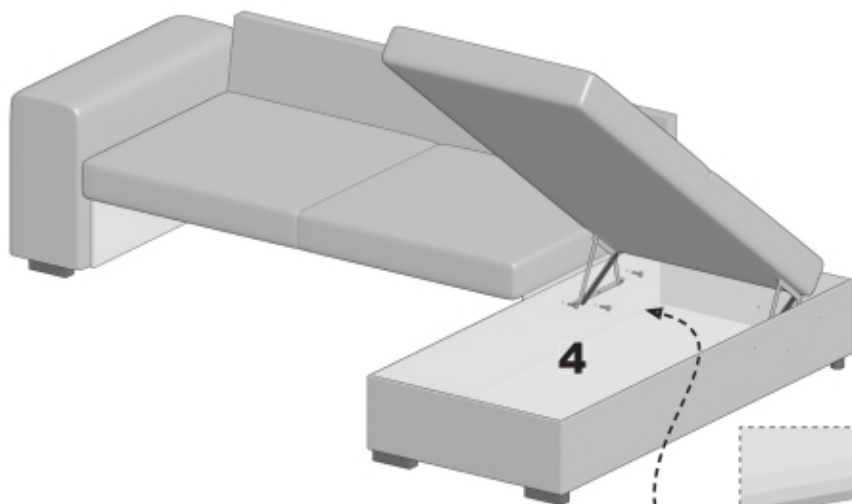
**3**



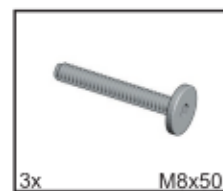
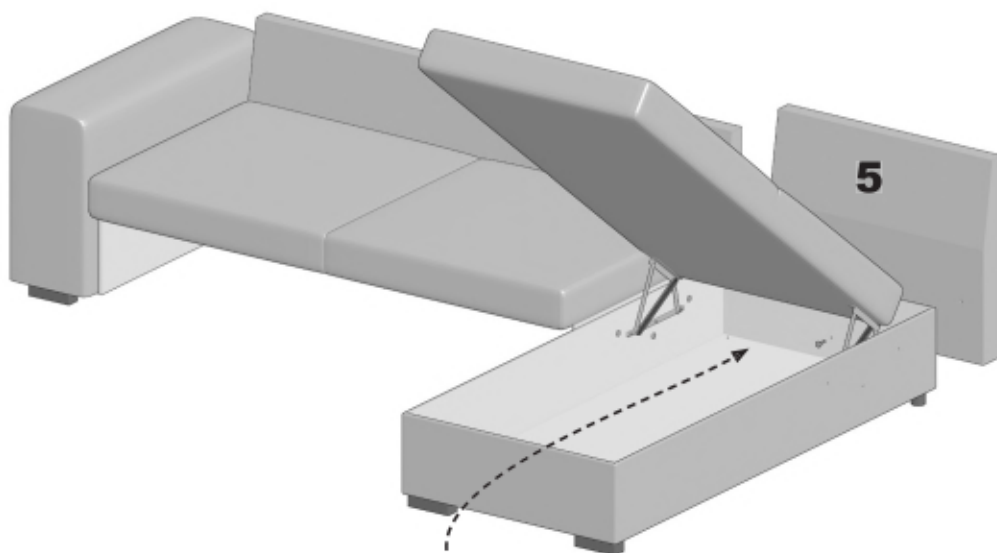
**4**



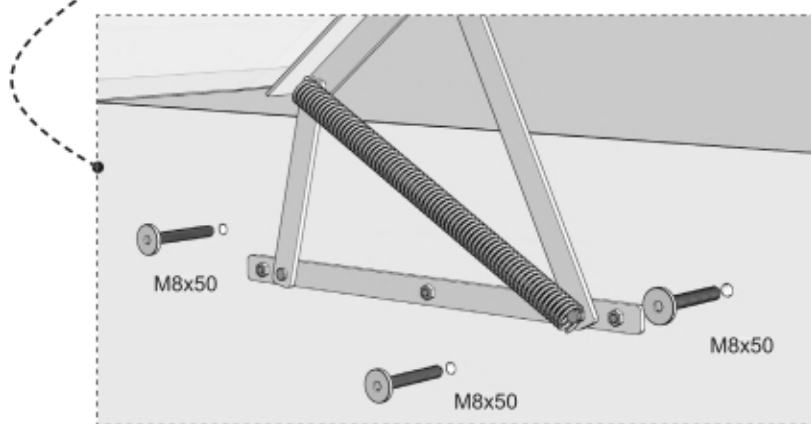
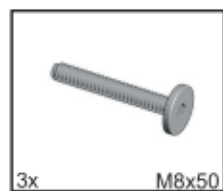
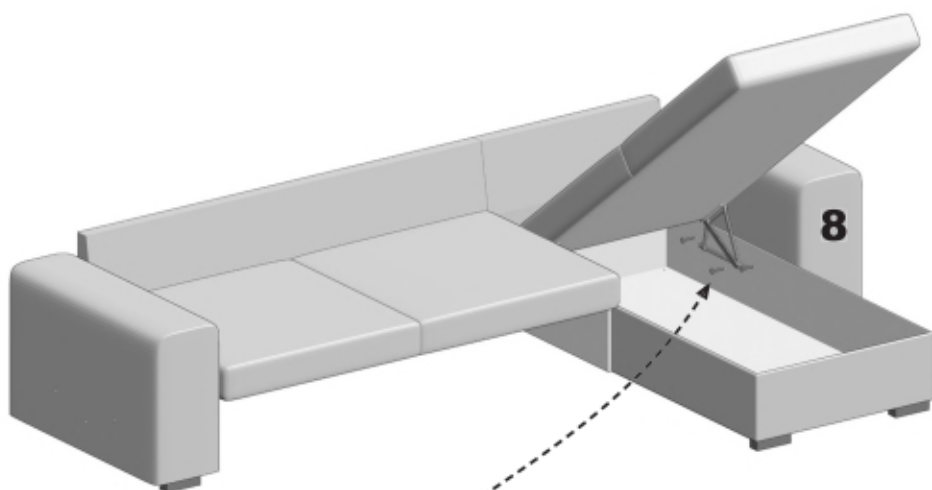
**5**



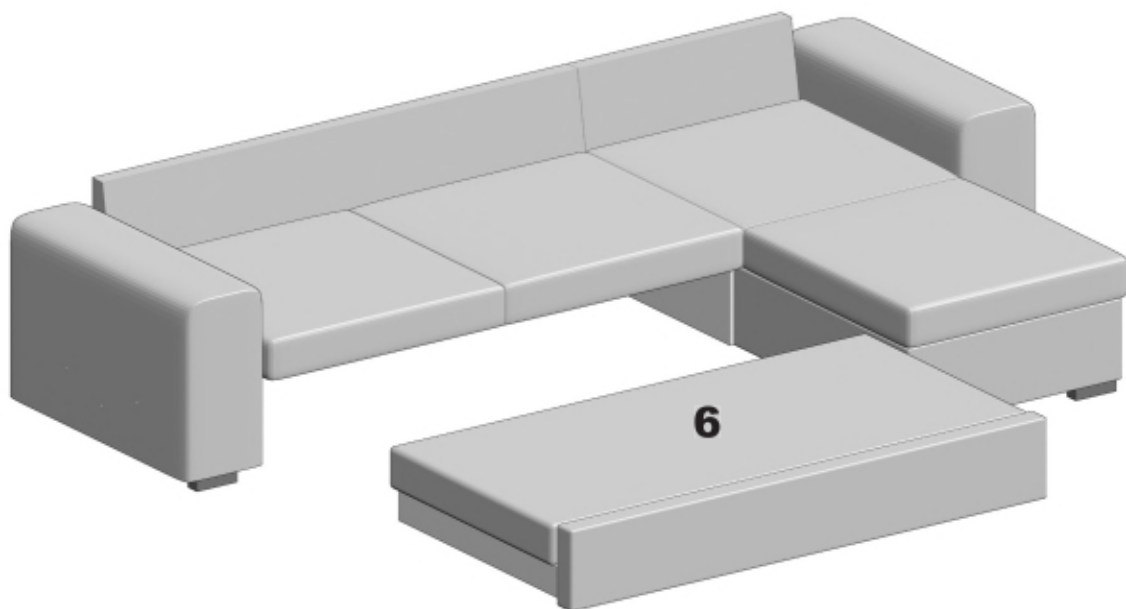
**6**



**7**



**8**



9

