



45 min



HDPE



LDPE



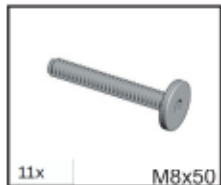
wer. PRAWY



wer. LEWY

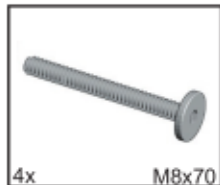


2x



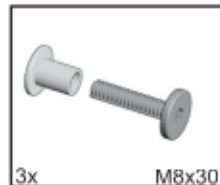
11x

M8x50



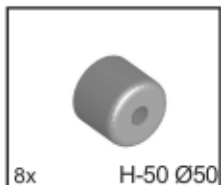
4x

M8x70



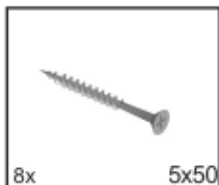
3x

M8x30



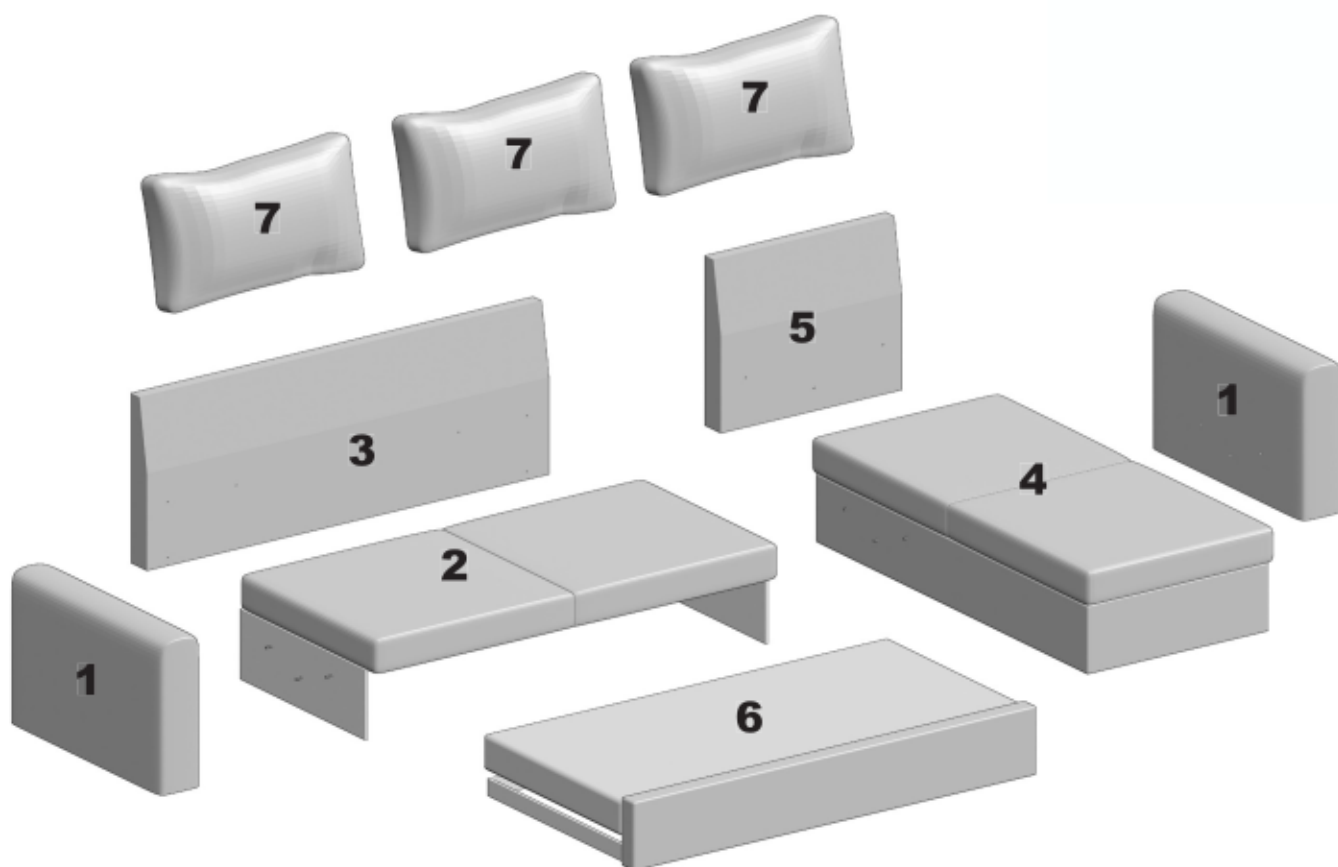
8x

H-50 Ø50

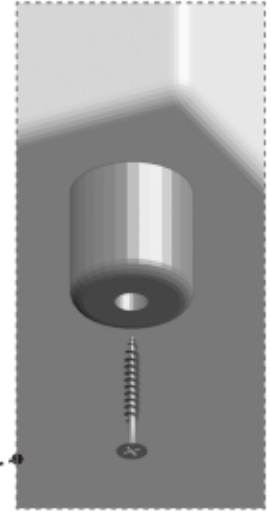
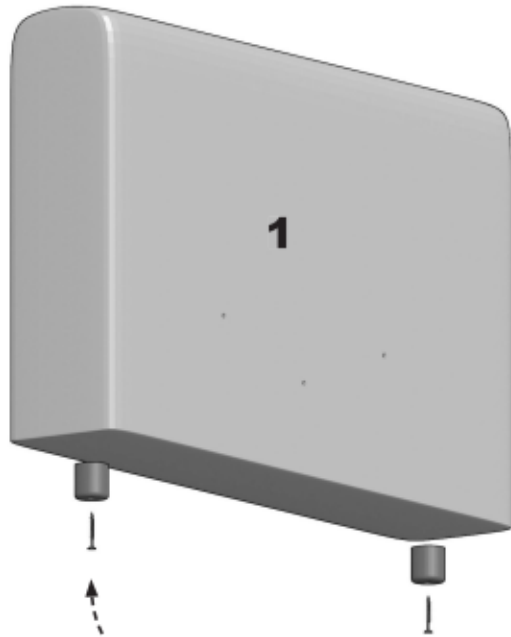
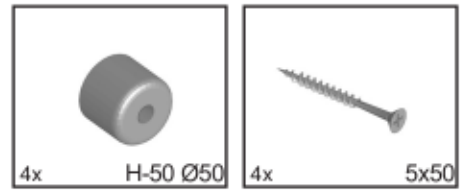


8x

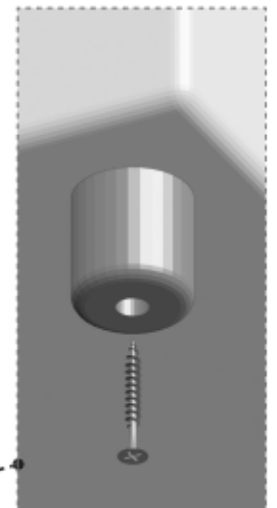
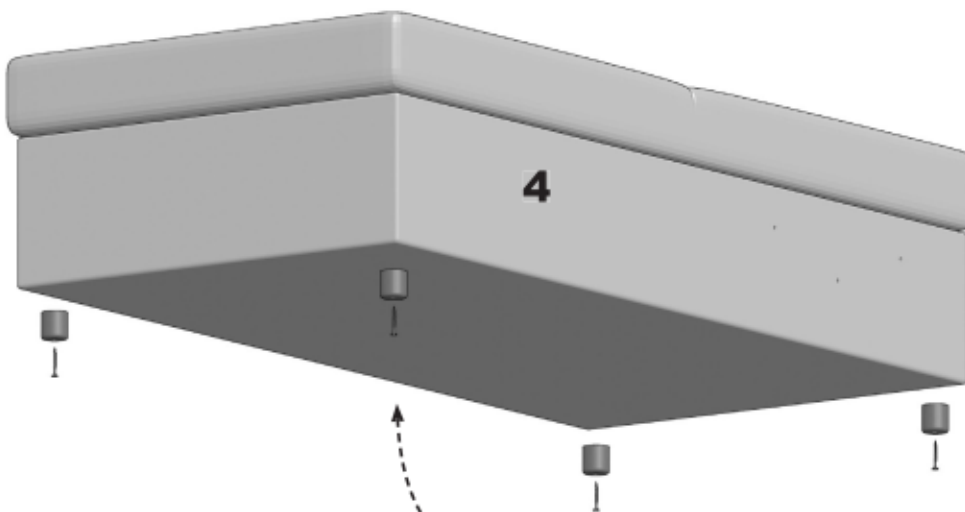
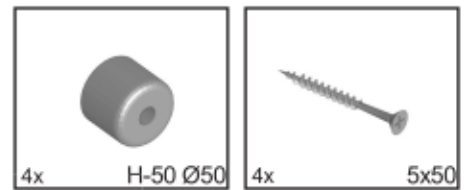
5x50



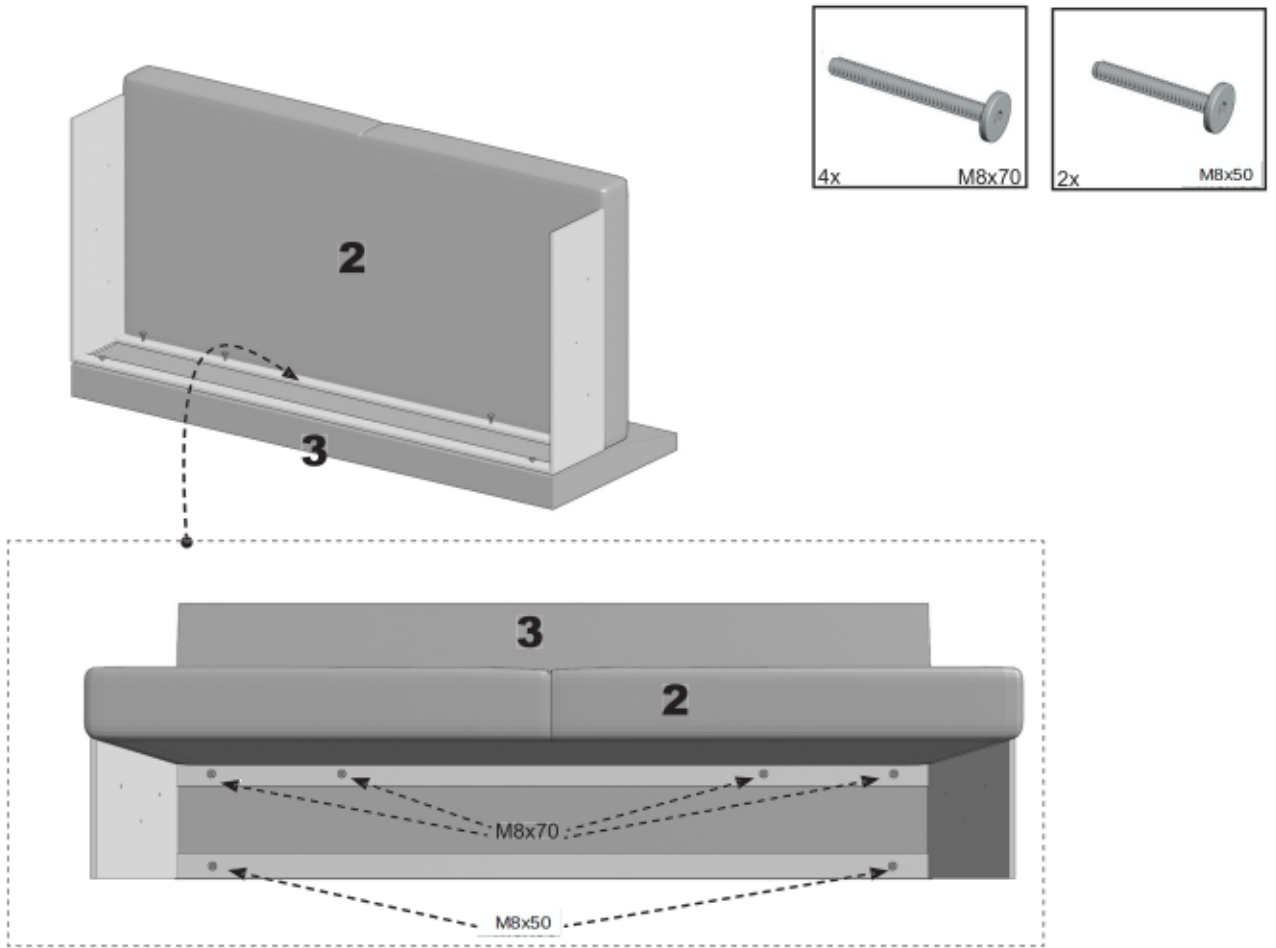
1 2x



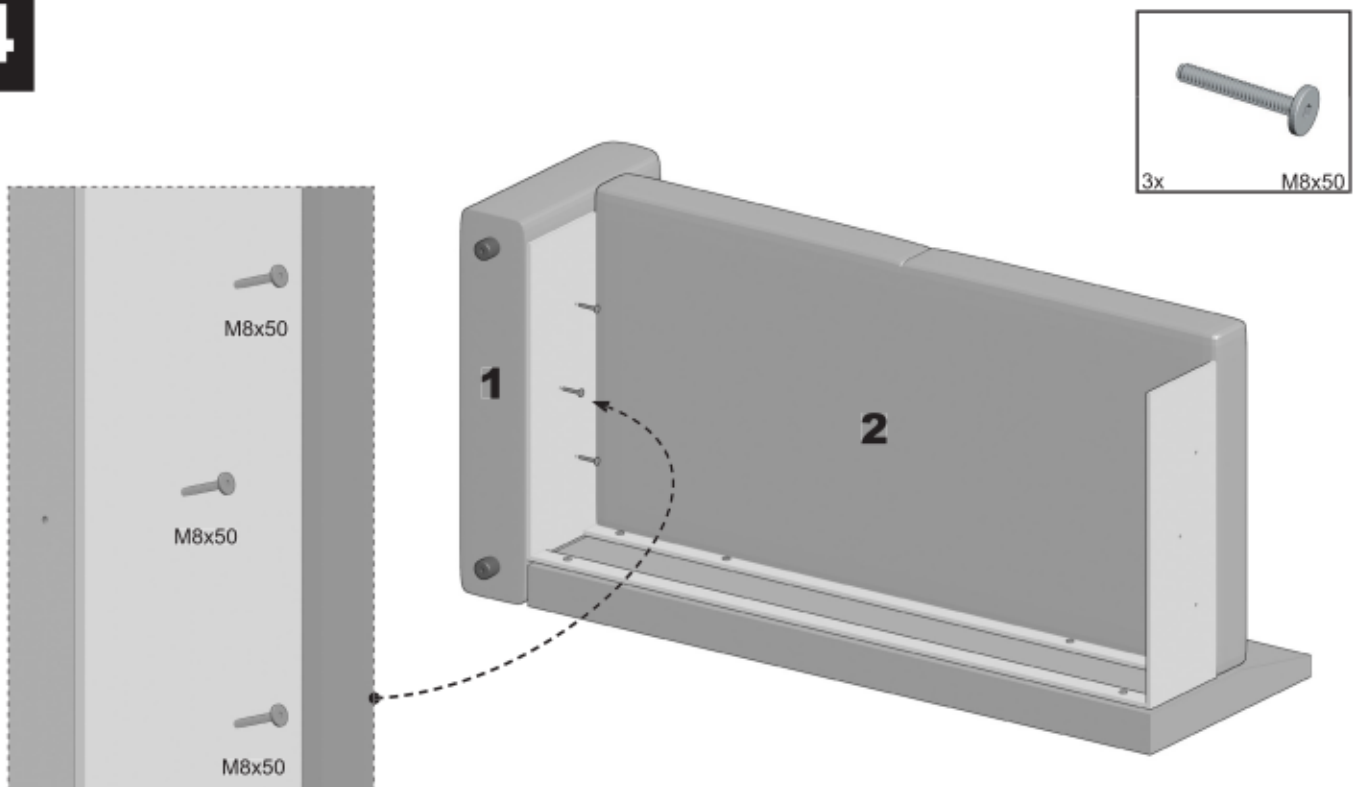
2



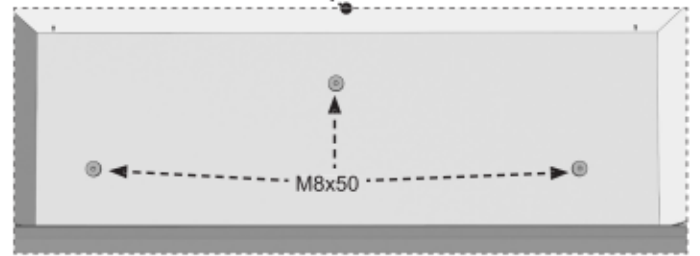
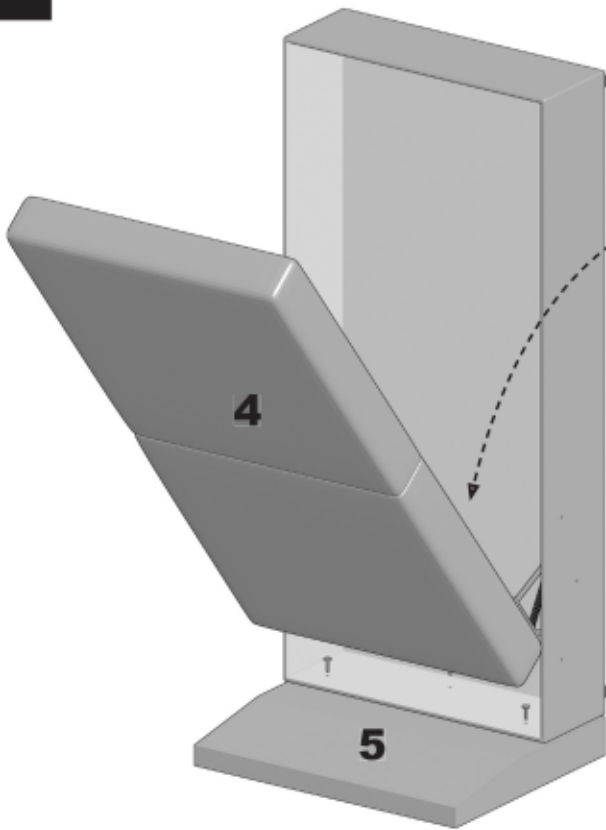
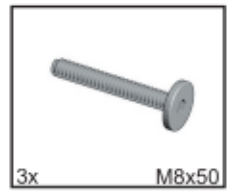
3



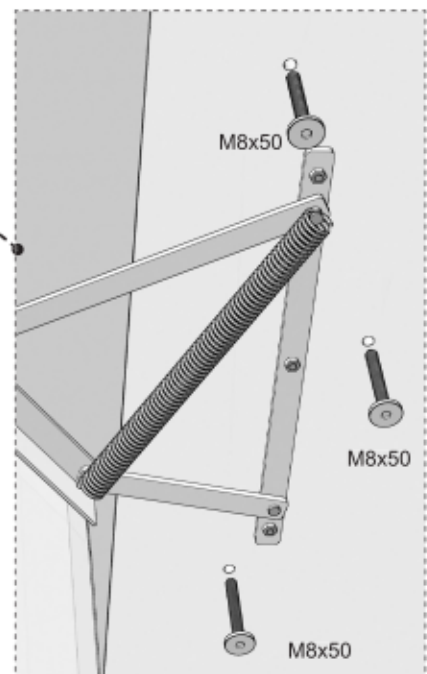
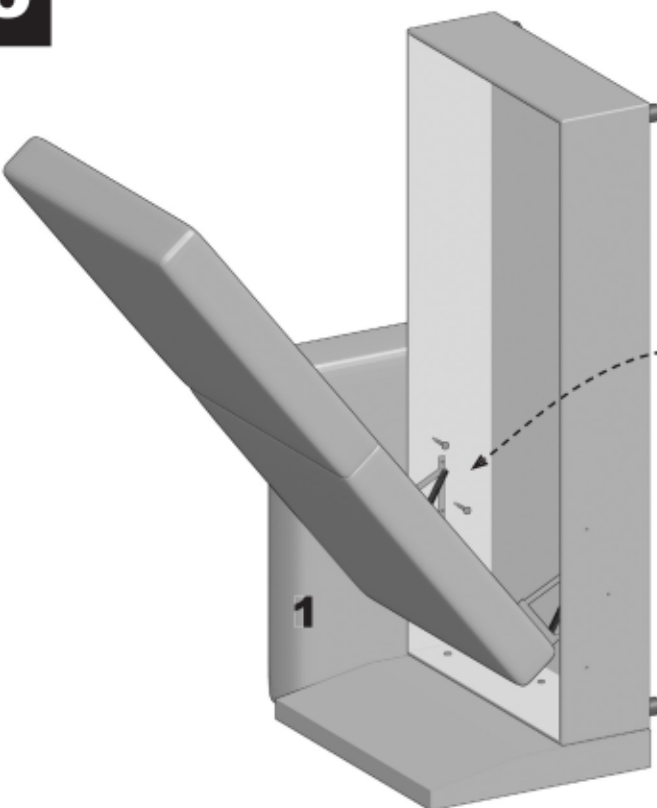
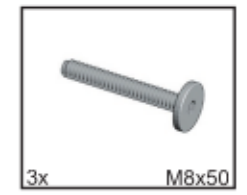
4



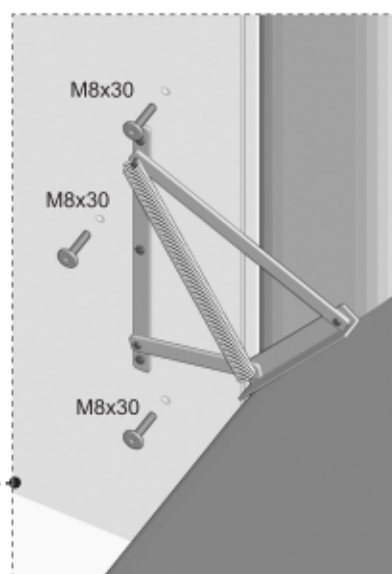
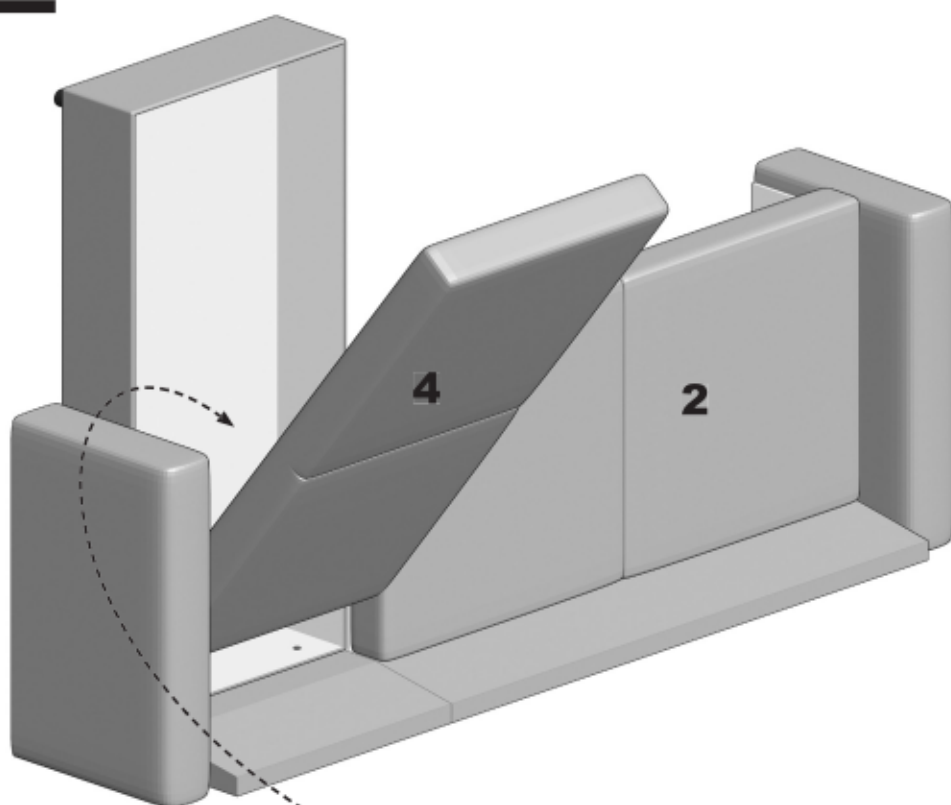
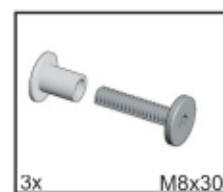
5



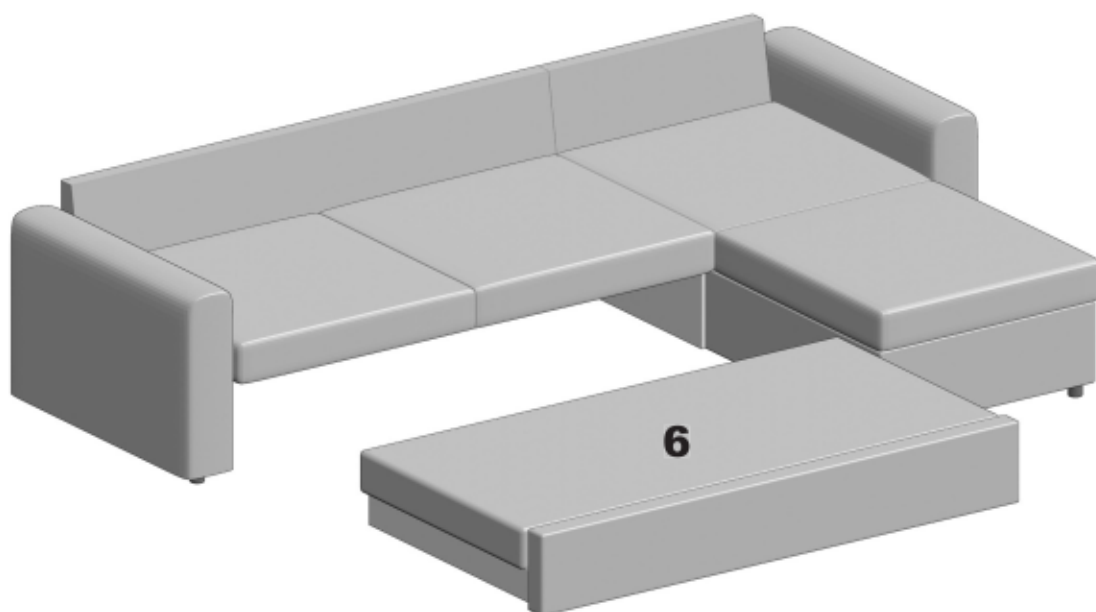
6



7



8



9

