












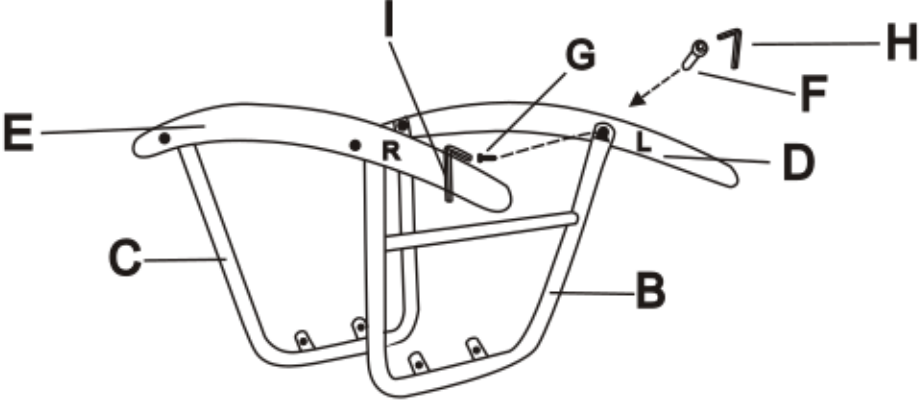




AX1 	BX1 	CX1 	DX1  L	EX1  R	FX4  M6X15	GX8  M6X16	HX1  M5	IX1  M6
--	---	---	--	--	--	--	---	---

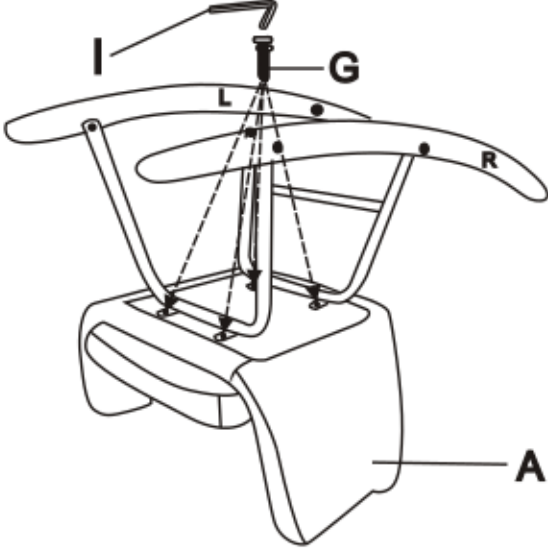
1

Fx4  M6X15	Gx4  M6X16	Hx1  M5	Ix1  M6
--	--	---	---



2

Gx4  M6X16	Ix1  M6
---	--



3

