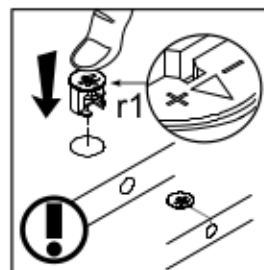
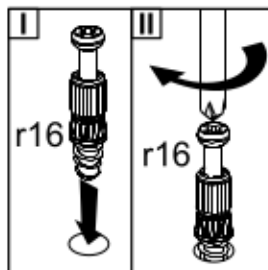
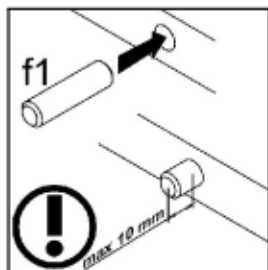
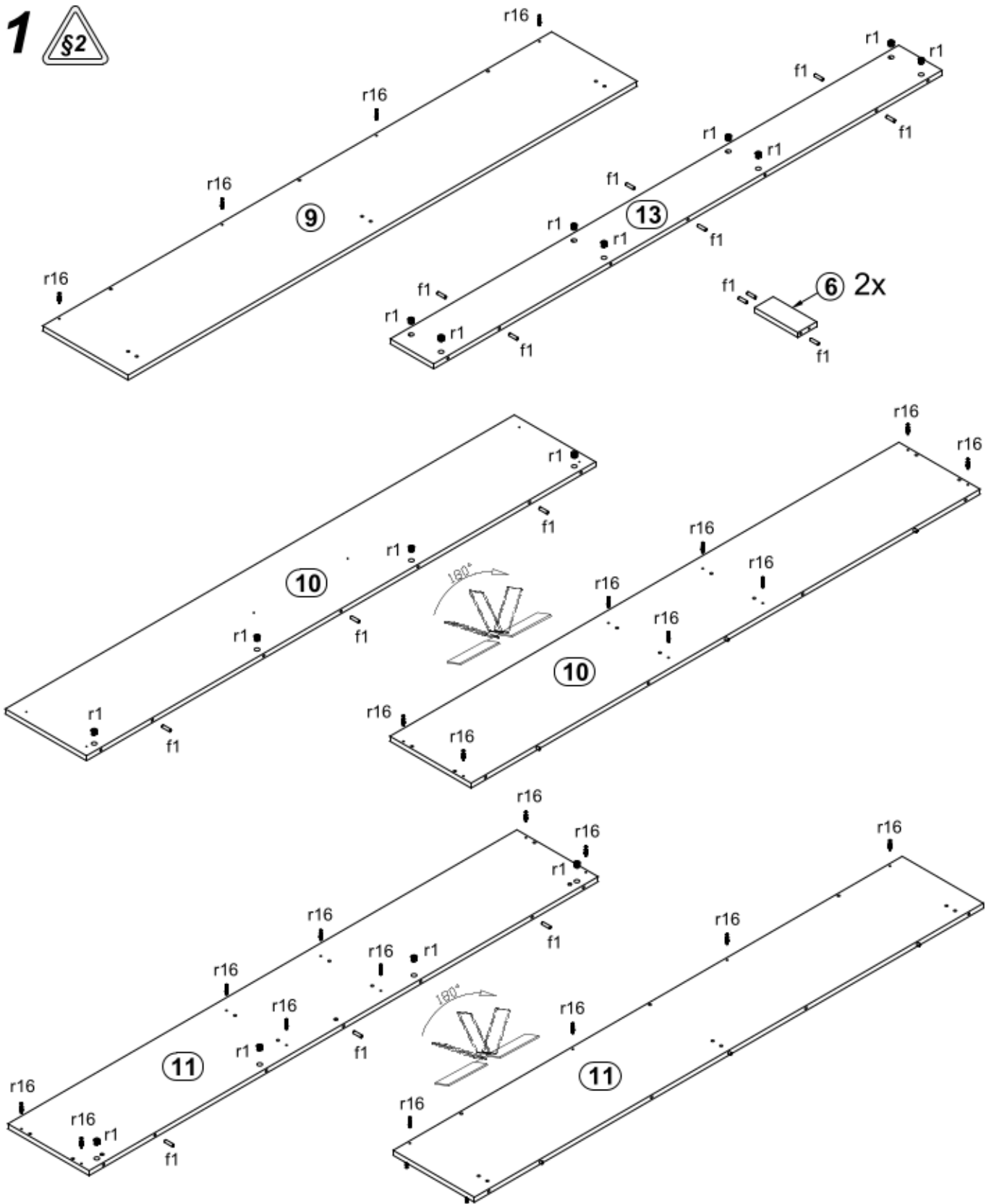


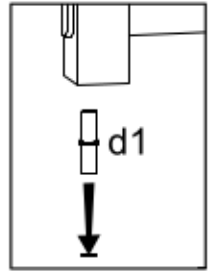
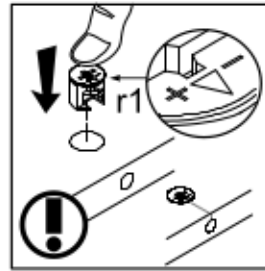
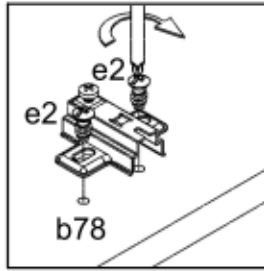
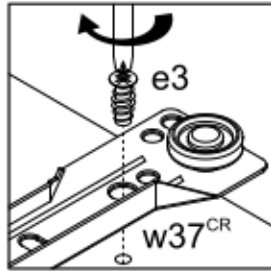
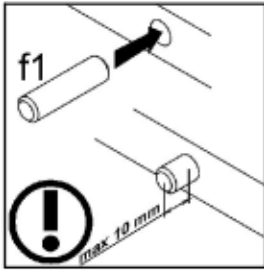
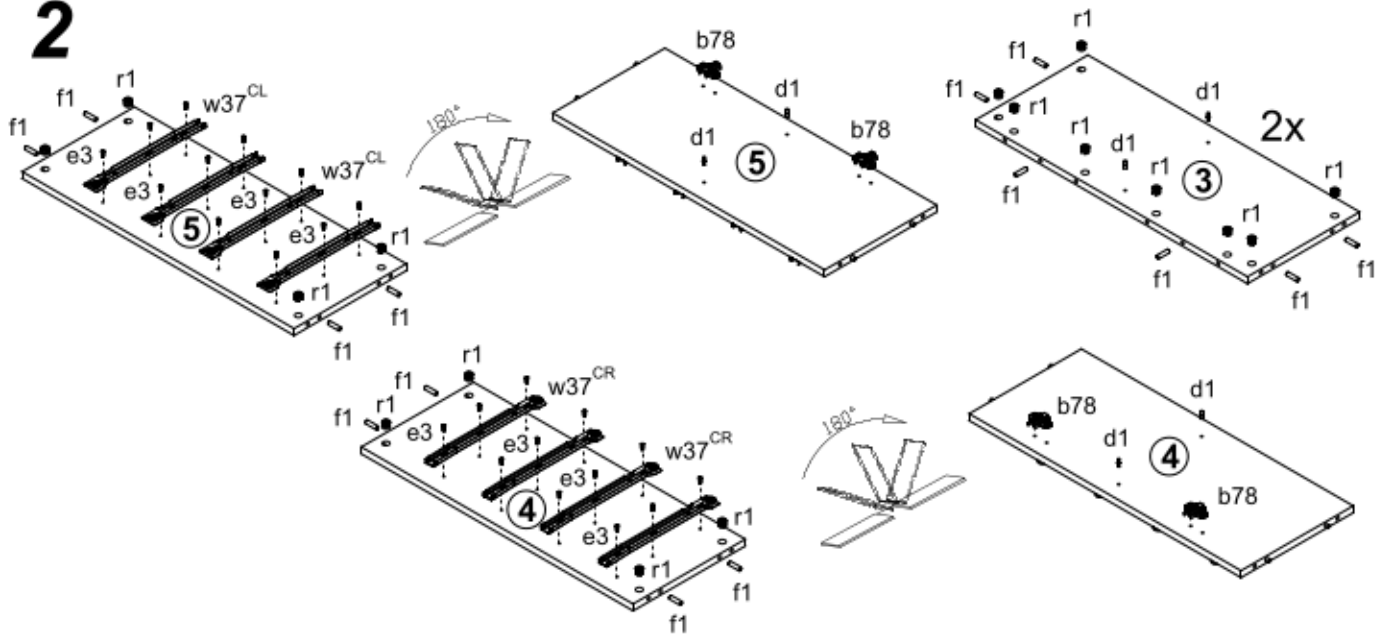
A	B	C	D
1	KA1-001	621	349
2	KA1-002	153	349
3	KA1-101	734	303
4	KA1-102	734	303
5	KA1-103	734	384
6	KA1-404	162	70
7	KA1-402	672	70
8	KA1-401	1901	70
9	KA1-201	1900	319
10	KA1-202	1900	303

A	B	C	D
11	KA1-203	1900	303
12	KA1-301	749	303
13	KA1-403	1900	303
14	KA1-551	300	120
15	KA1-552	300	120
16	KA1-553	279	120
17	KA1-901	294	299
18	KA1-902	380	1894
19	LH-1866	1866	14

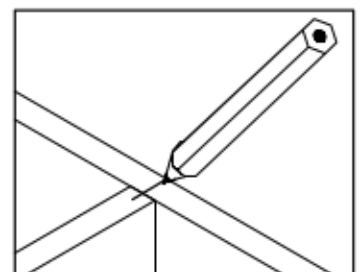
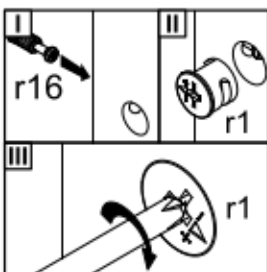
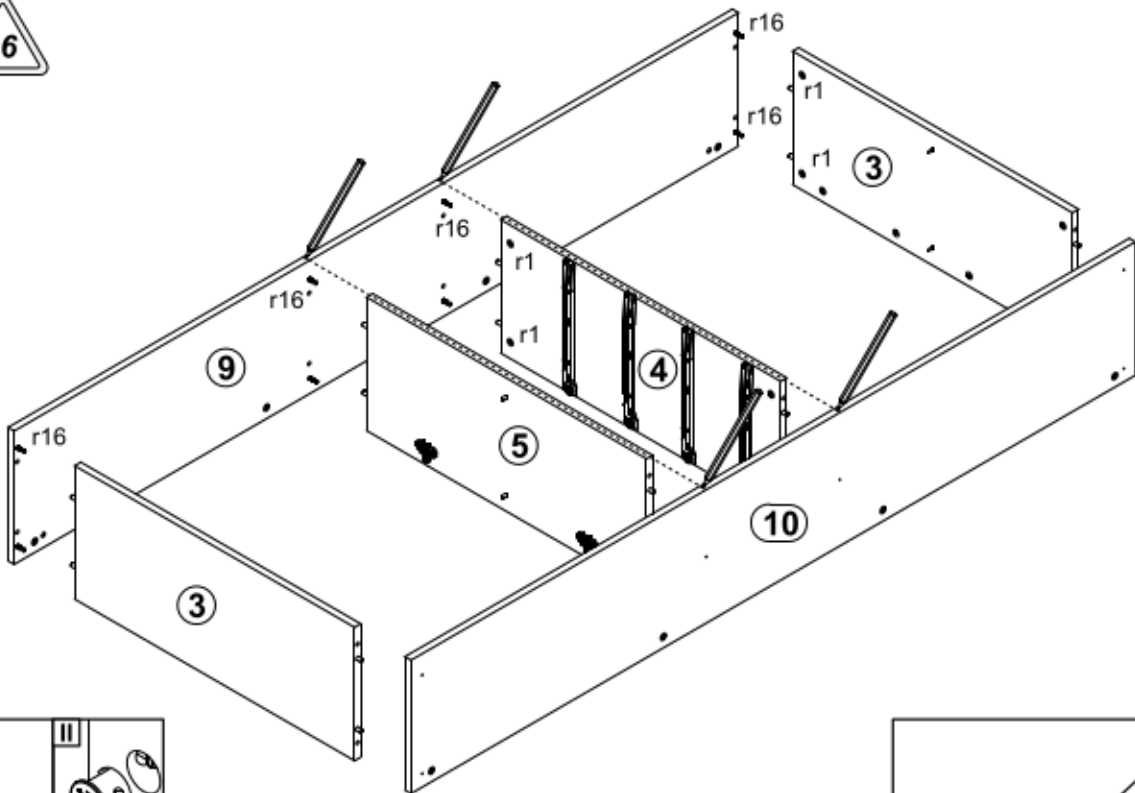


1

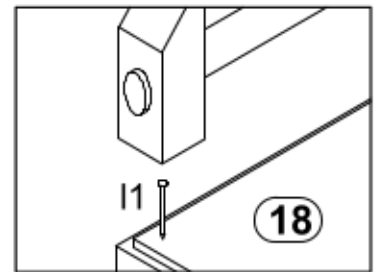
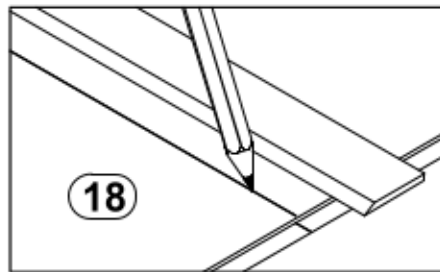
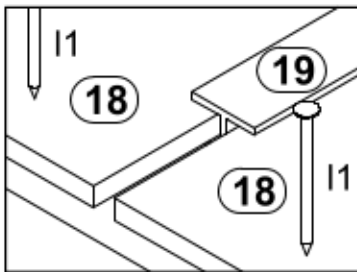
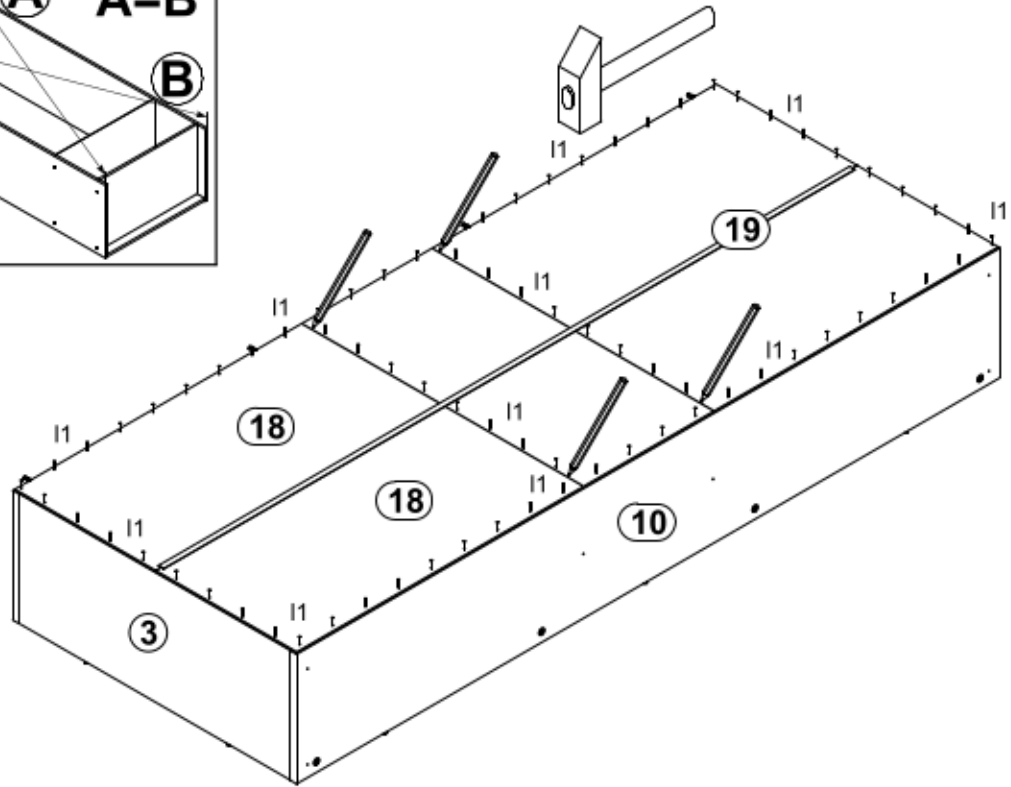
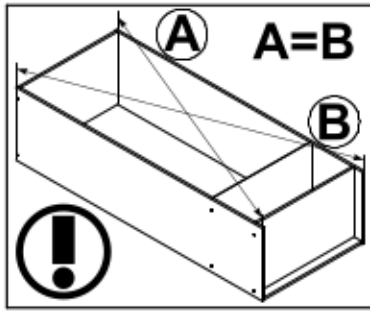
2



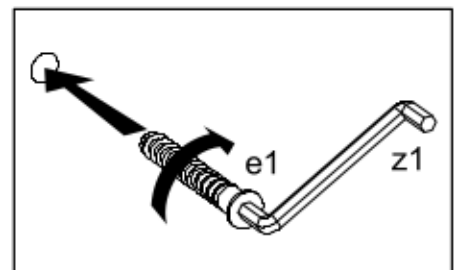
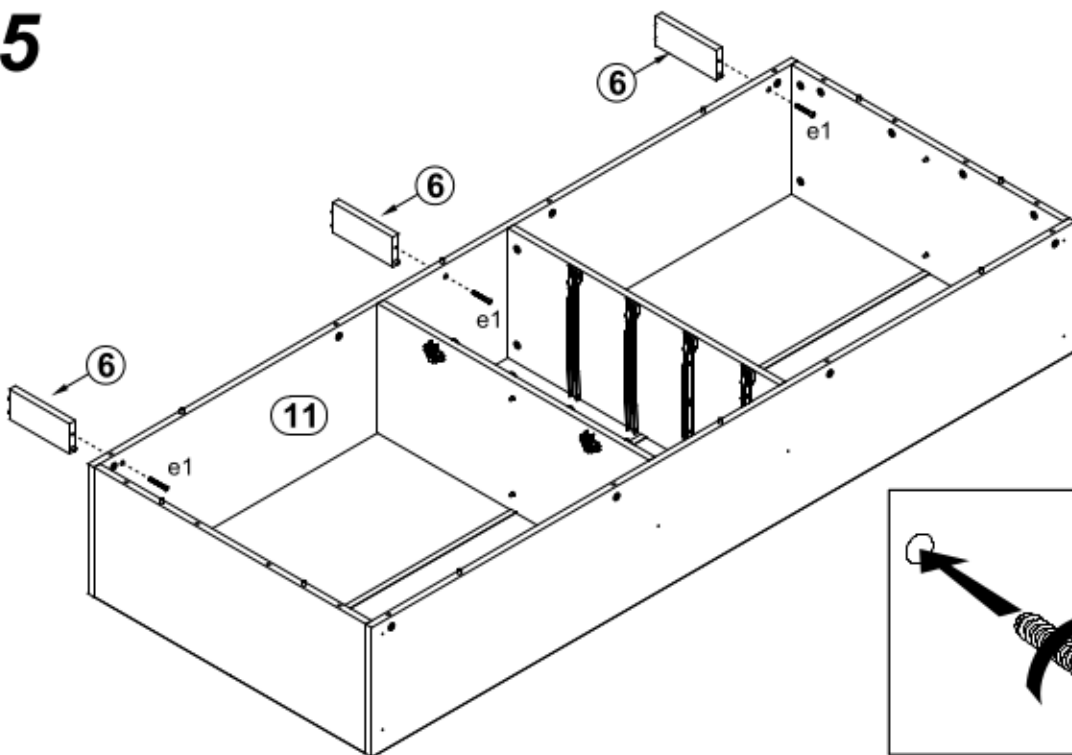
3



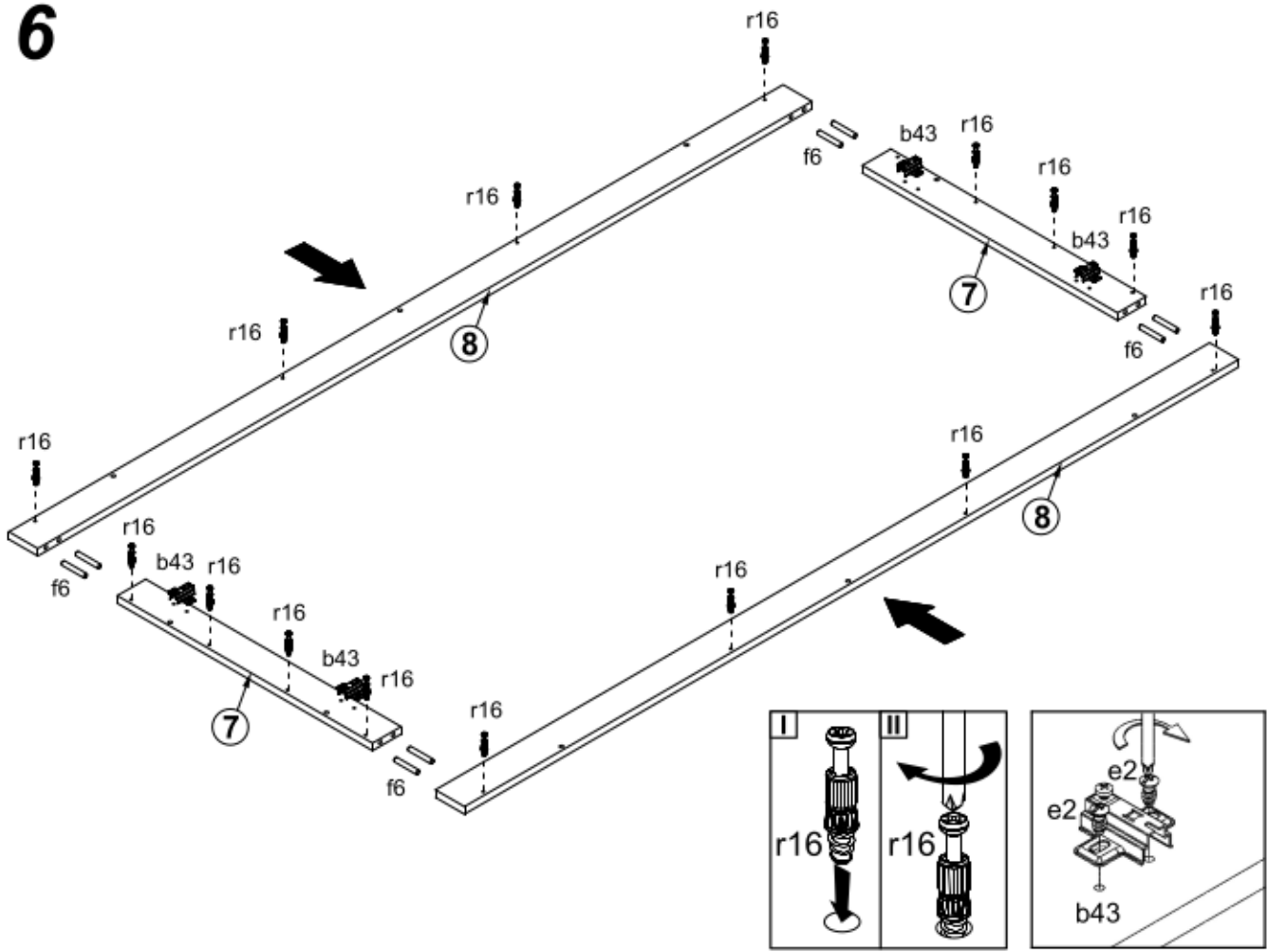
4



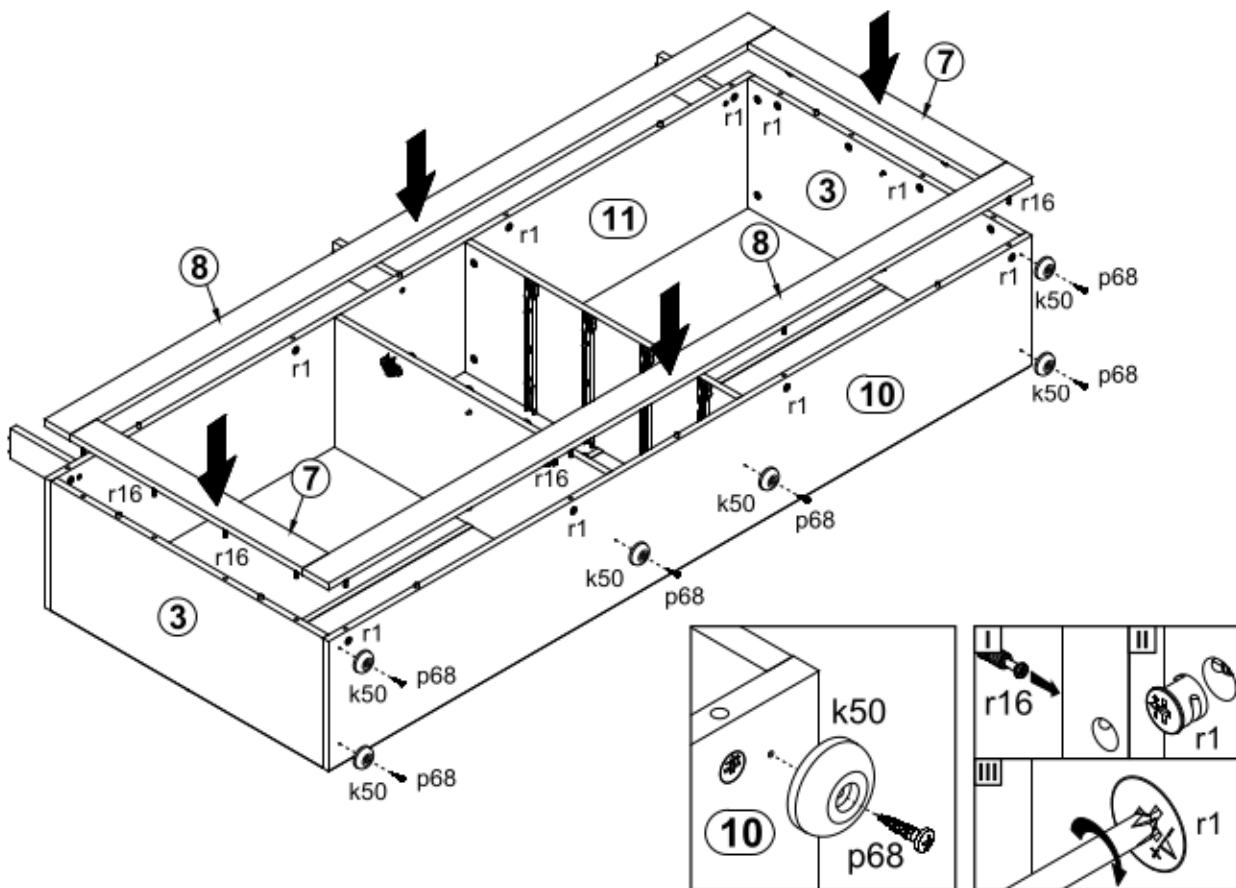
5



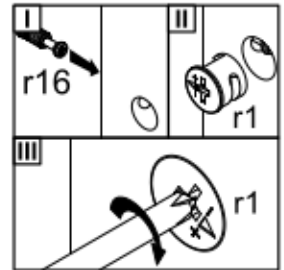
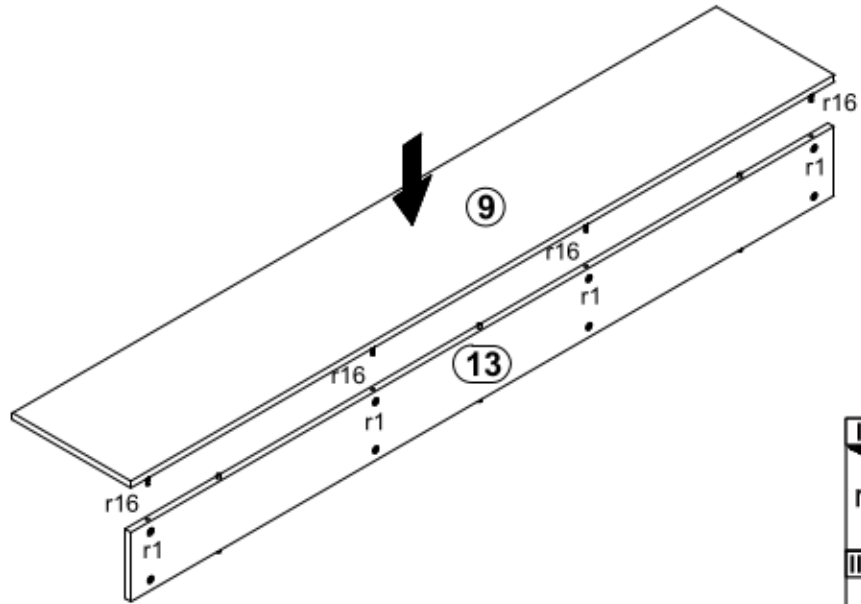
6



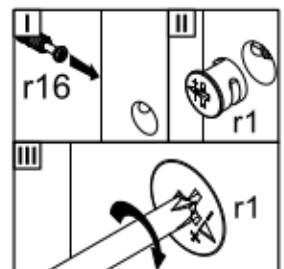
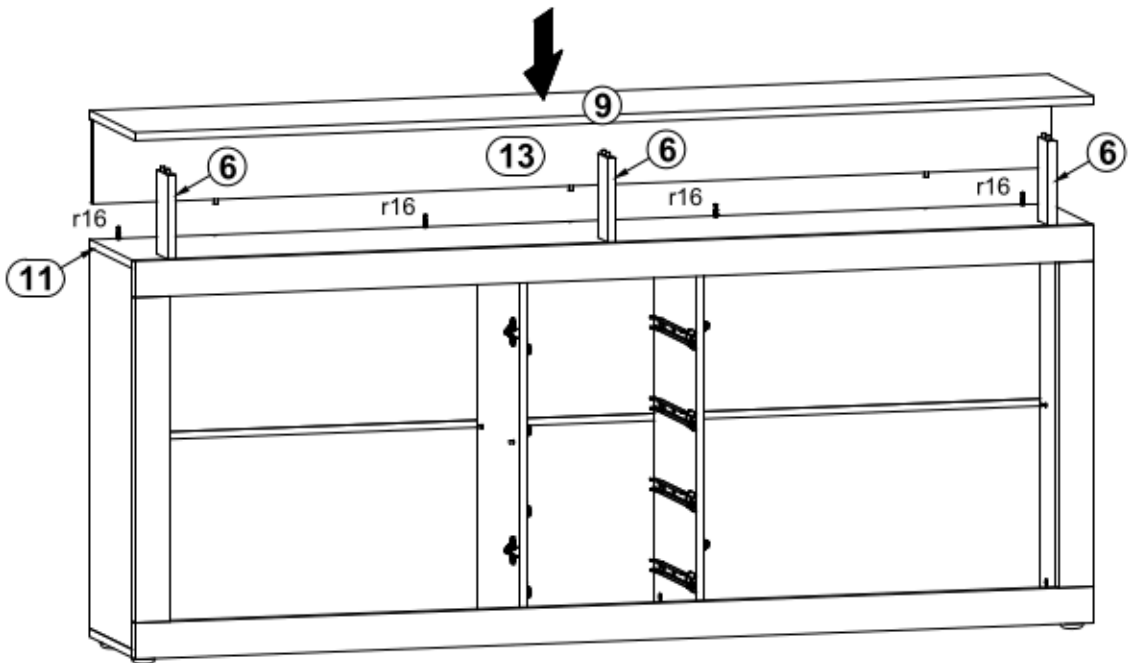
7



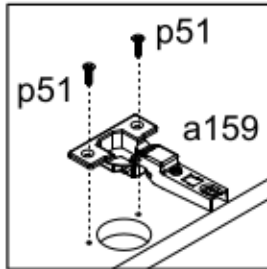
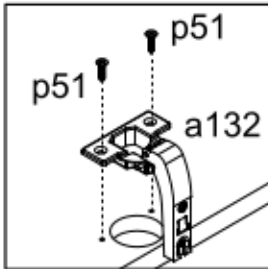
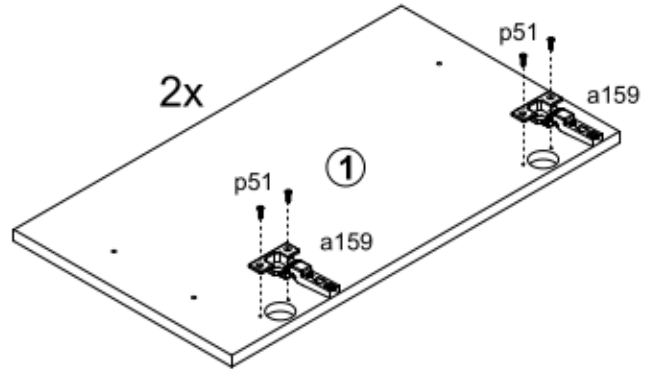
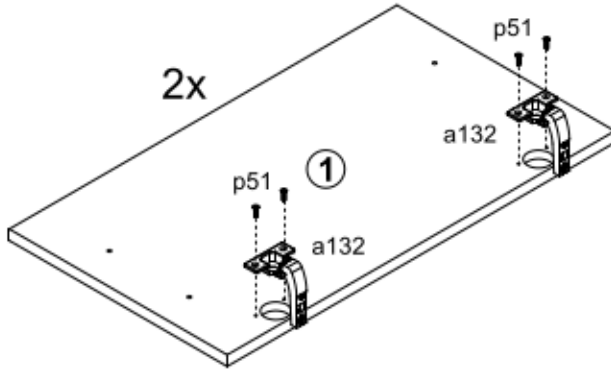
8



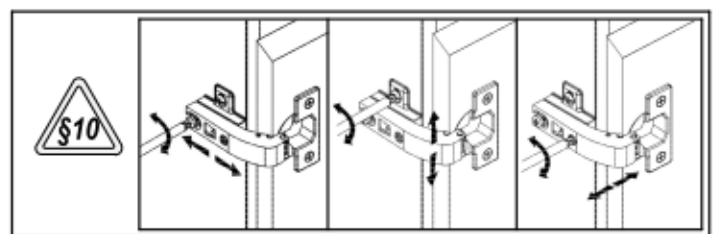
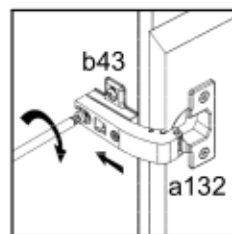
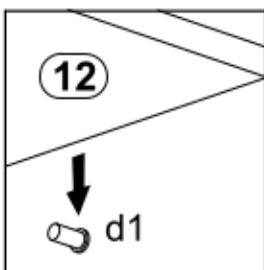
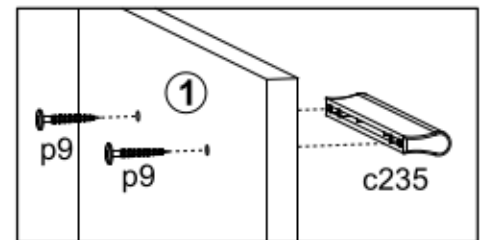
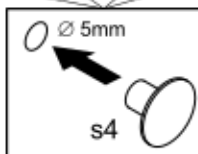
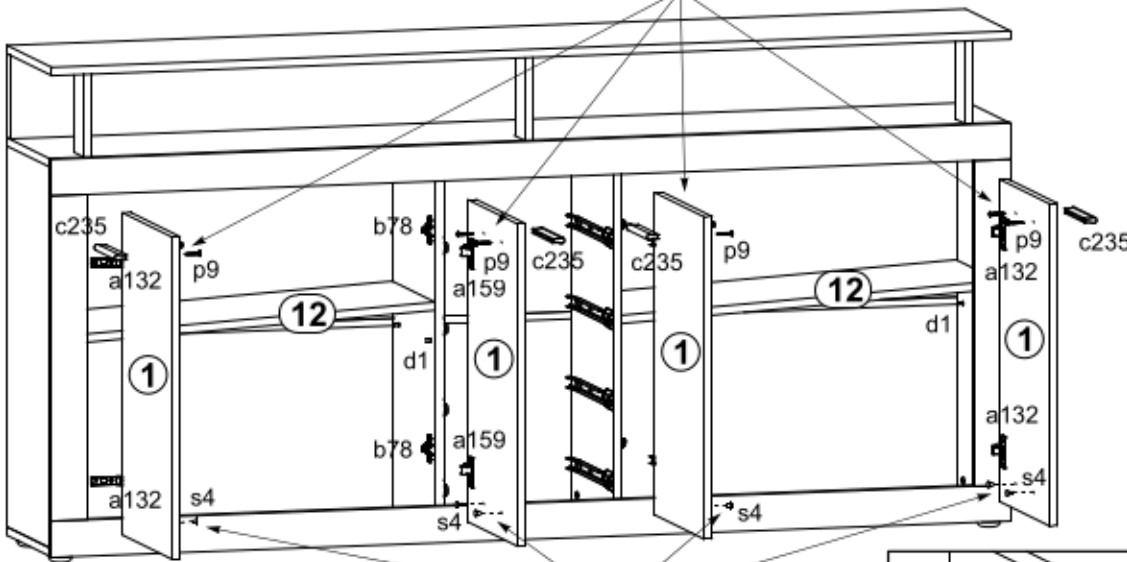
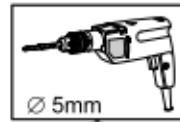
9



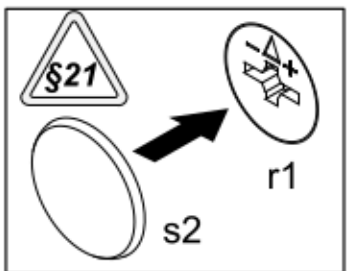
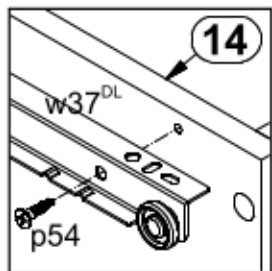
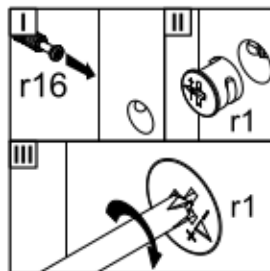
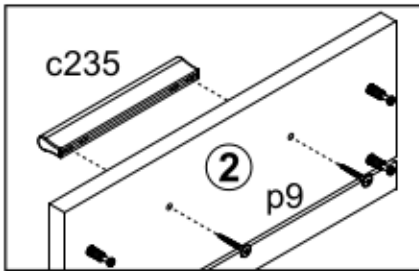
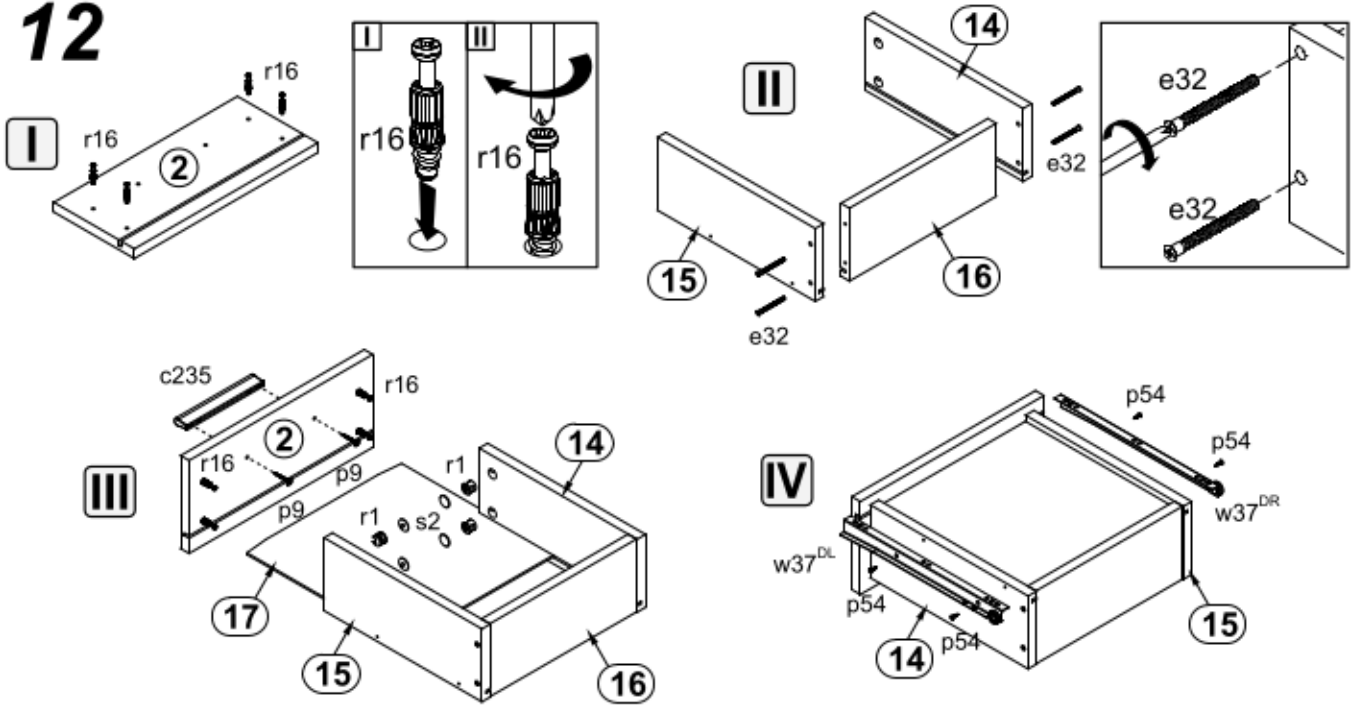
10



11



12



13

