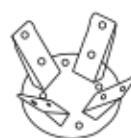




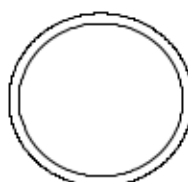
A × (1)



B × (1)



C × (4)



D × (1)

6*32

6*40

6*18

M6

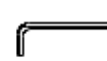
6*18*1.2

6*14*1.2

M6

M5

25*5



E × 8

F × 4

G × 4

H × 8

I × 12

J × 4

K × 1

L × 1

M × 4



E × 8



I × 8



K × 1



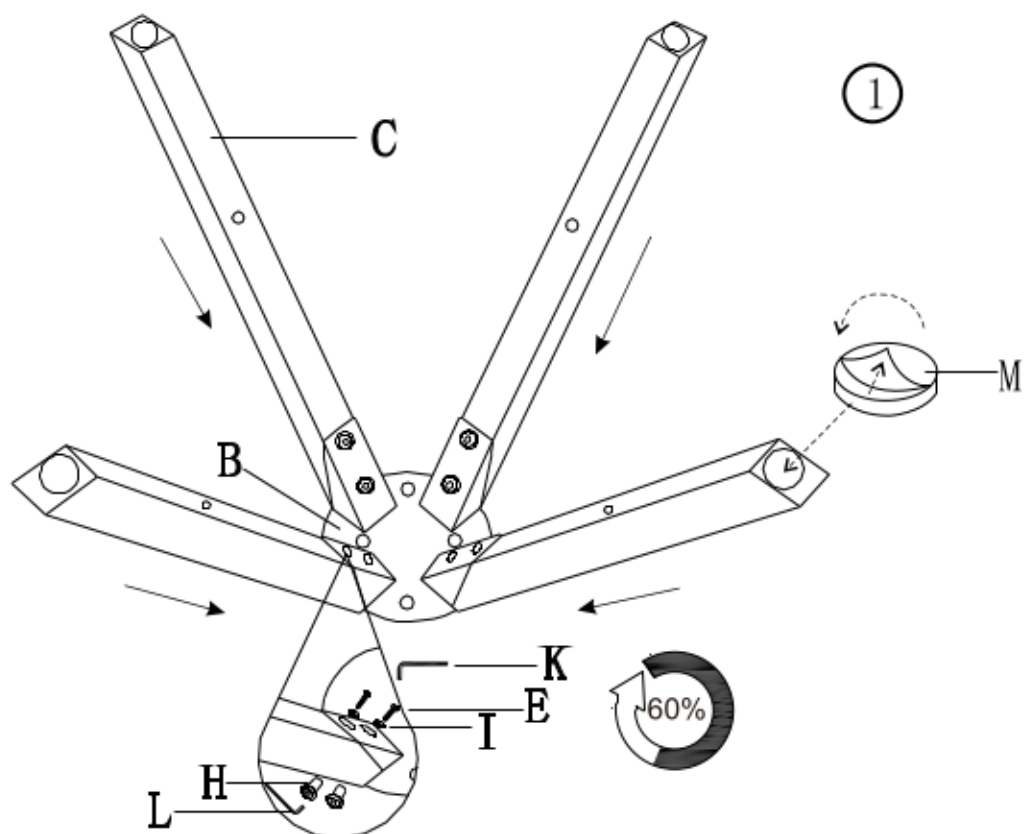
H × 8



L × 1



M × 4





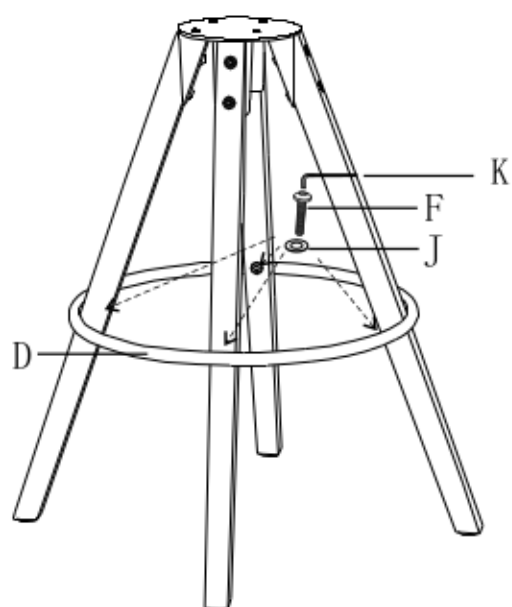
F×4PCS



J×4PCS



K×1PCS



2



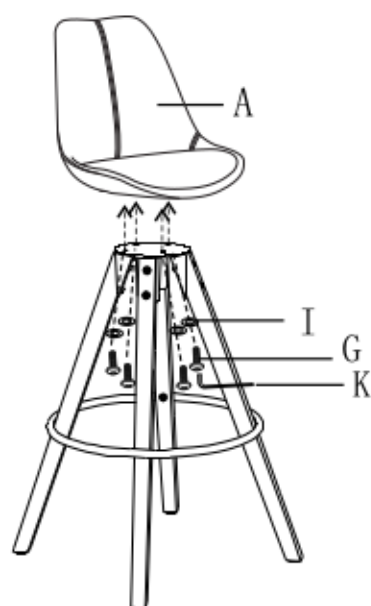
G×4PCS



I×4PCS



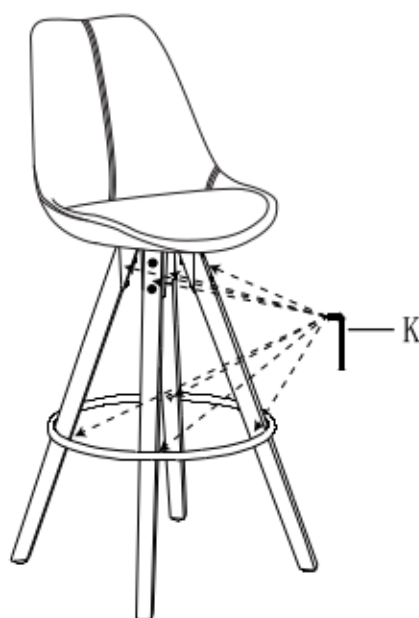
K×1PCS



3



K×1PCS



4

