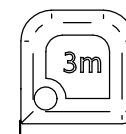
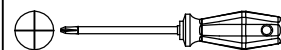
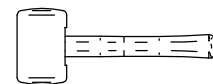
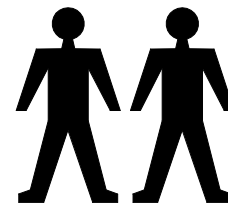
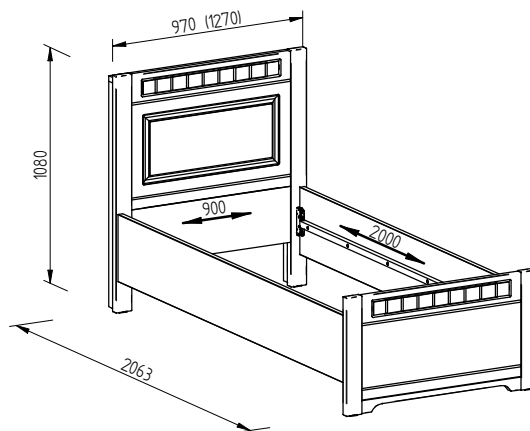


Montageanleitung / Montážny návod /
Assembly instructions

TIROL

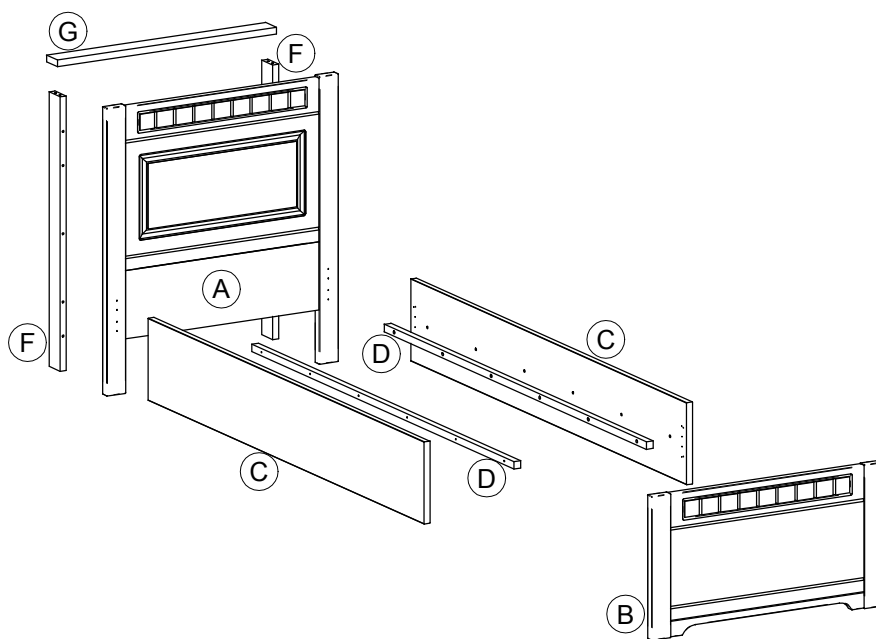
P 90 Comfort

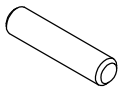
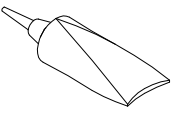
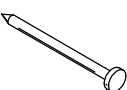


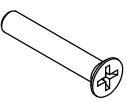
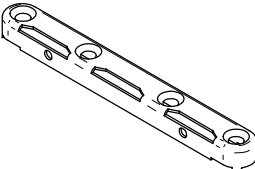
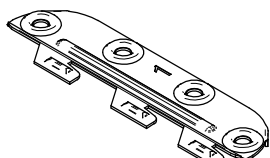
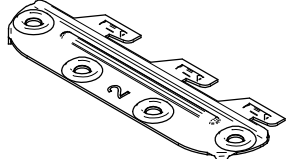
P 120 Comfort



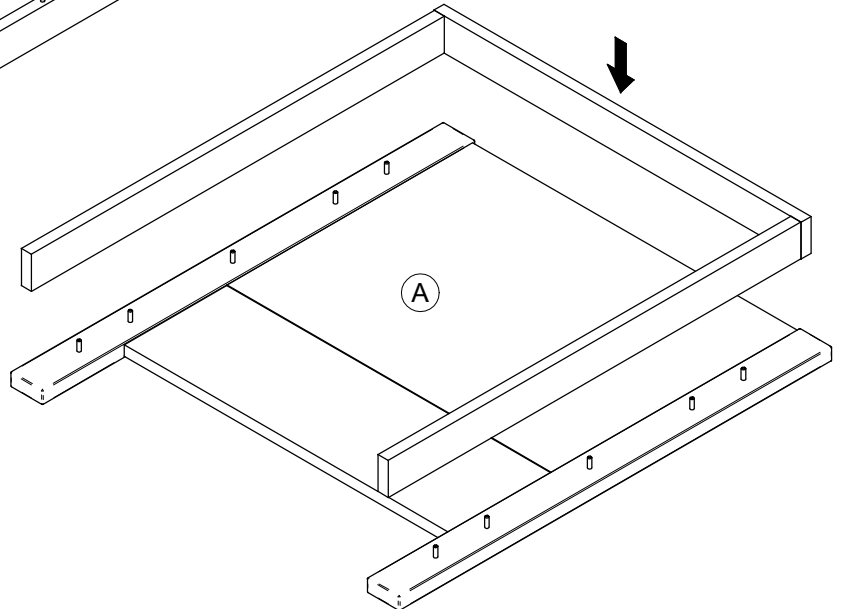
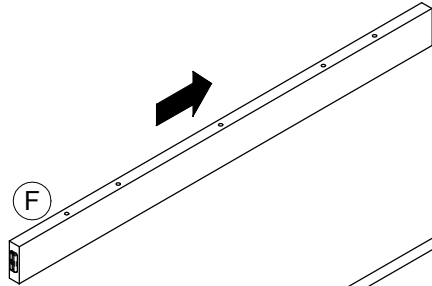
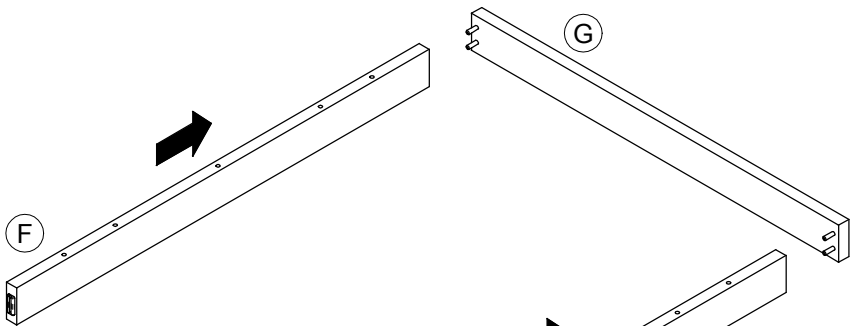
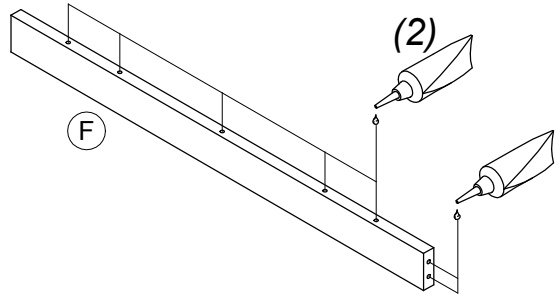
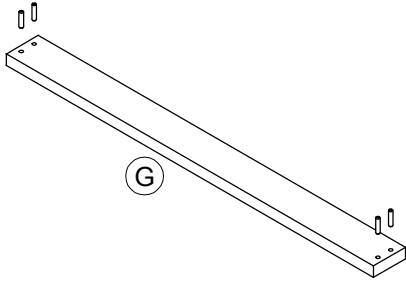
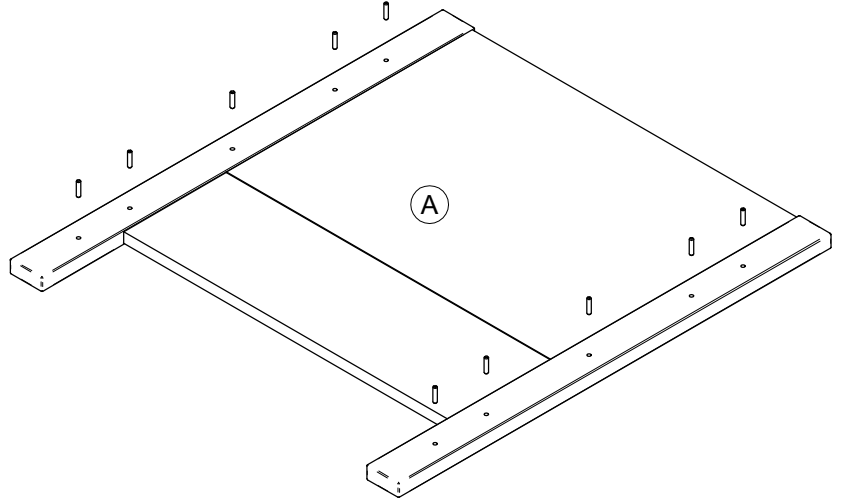
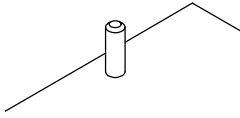
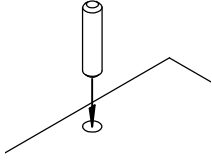
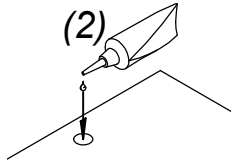
MN 163/10

SERVICEKARTE / SERVISNÁ KARTA / SERVICE CARD



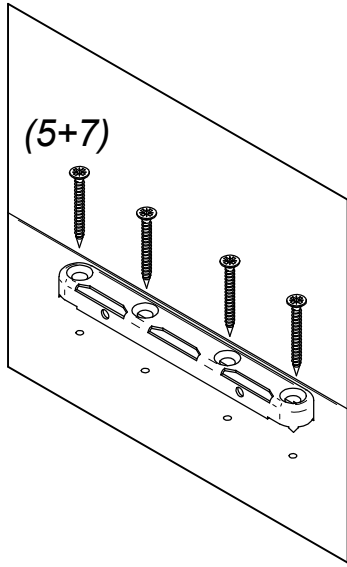
<p>1 $\varnothing 8 \times 30$ x19</p> 	<p>2 x2</p>  <p>Vor Gebrauch schütteln Shake before use Pred použitím zatrepat'</p>	<p>3 $\varnothing 1,2 \times 20$ x18</p> 	<p>4 $\varnothing 4 \times 25$ x16</p> 	<p>5 $\varnothing 4 \times 35$ x16</p> 
<p>6 M6x35 x12</p> 	<p>7 x4</p> 	<p>8 x2</p> 		
<p>9 x2</p> 				

1.

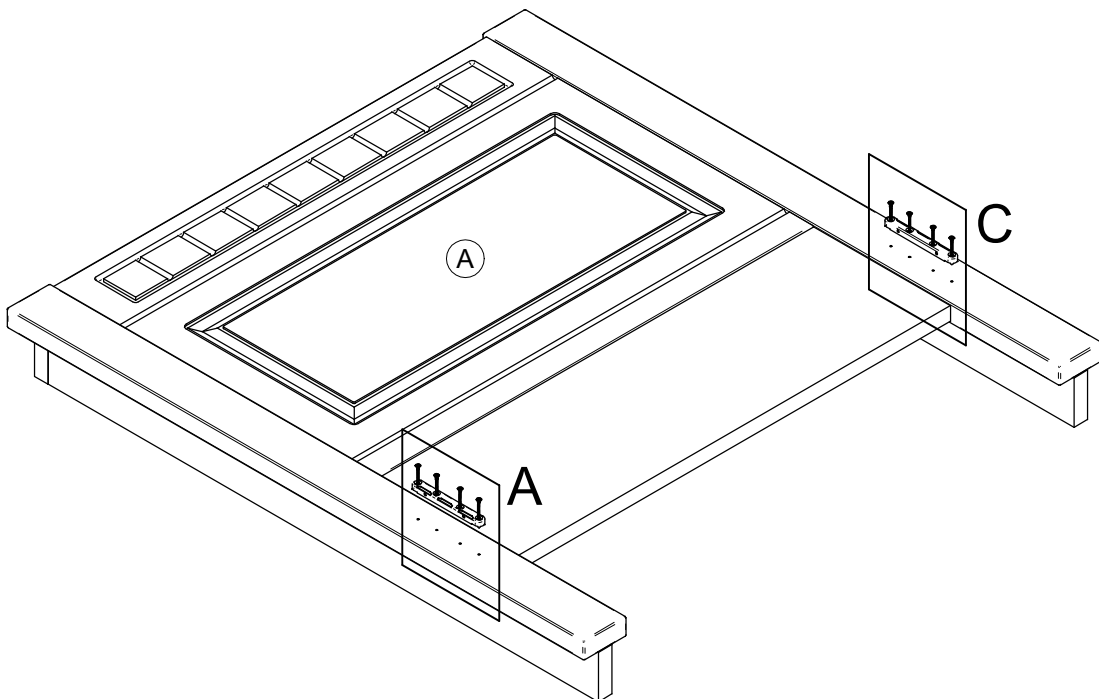
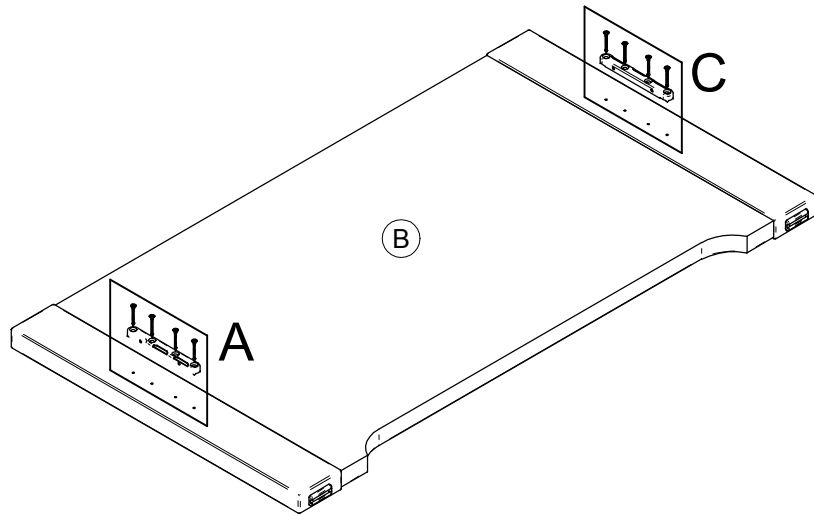
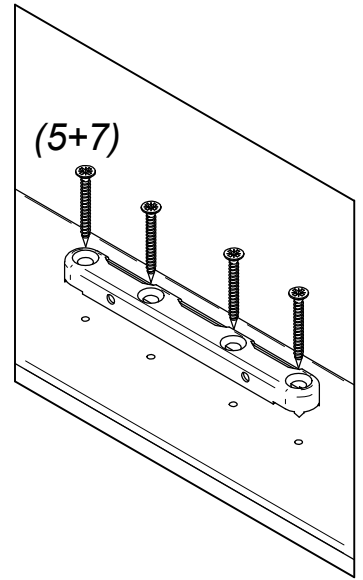


2.

A

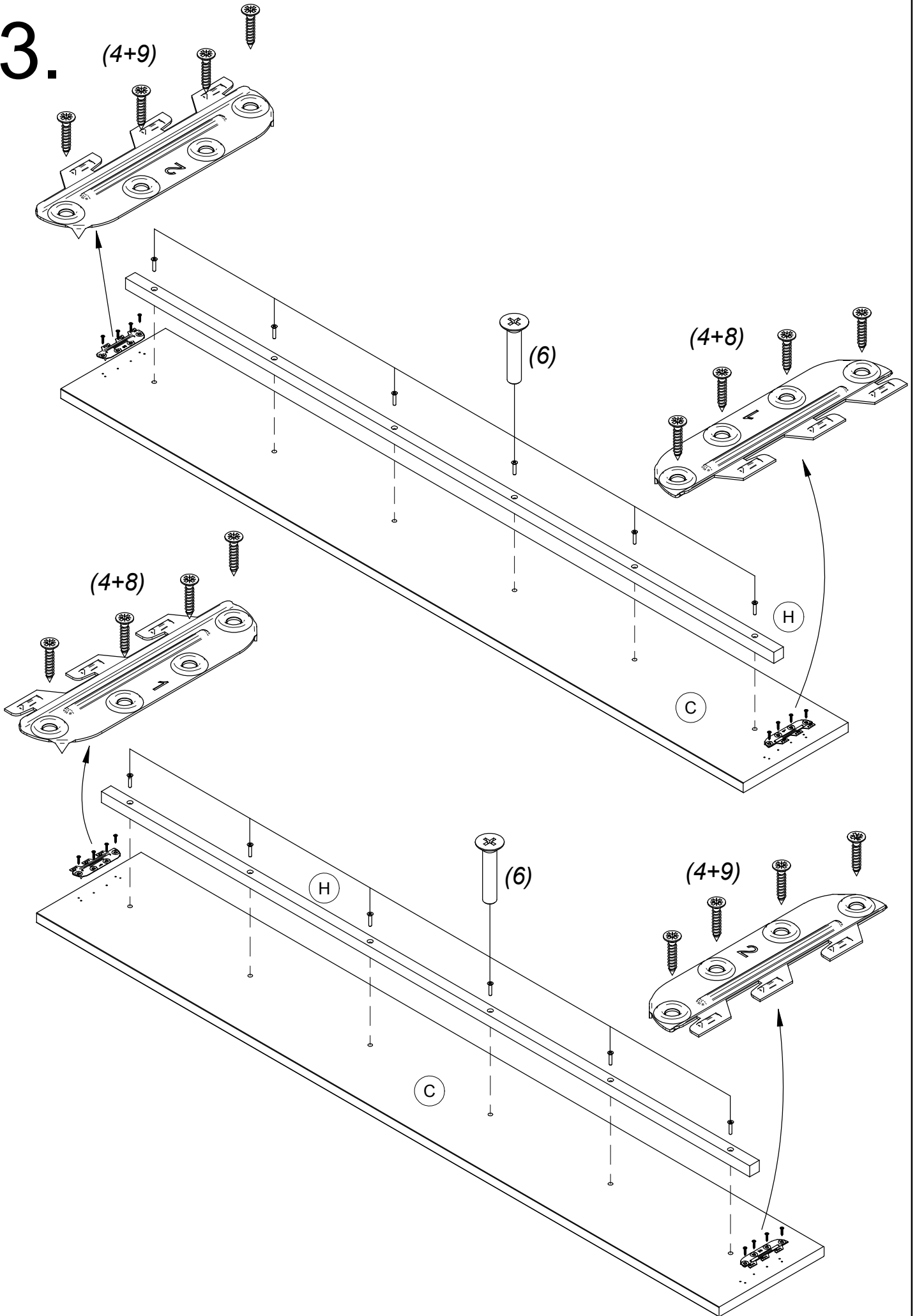


C

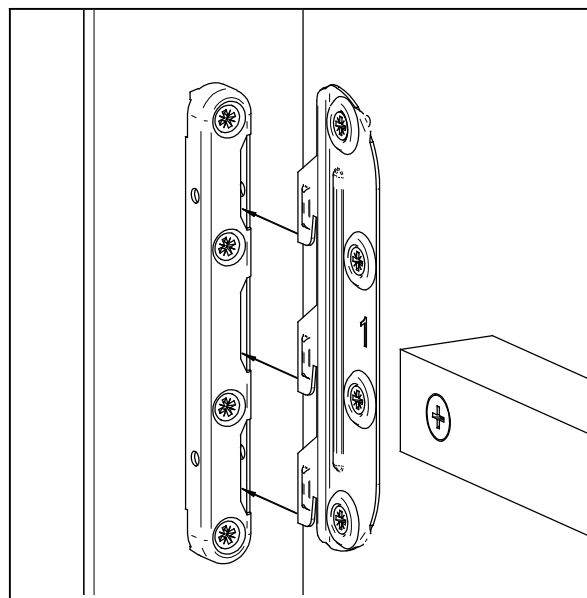
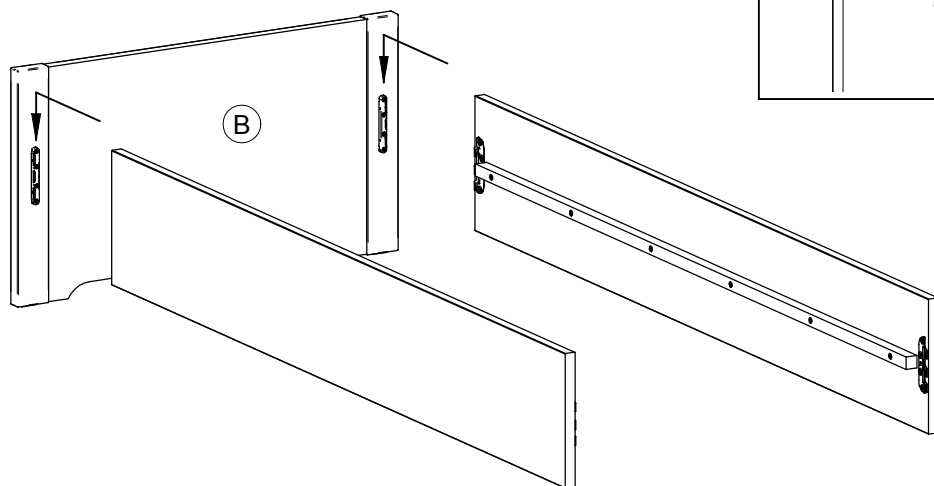


3.

(4+9)



4.



5.

