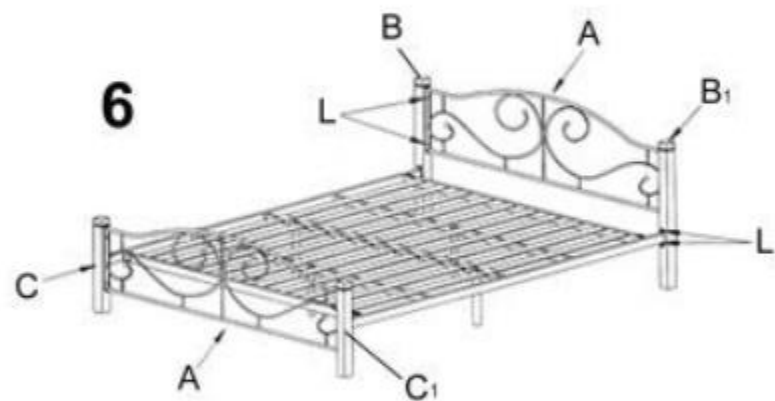
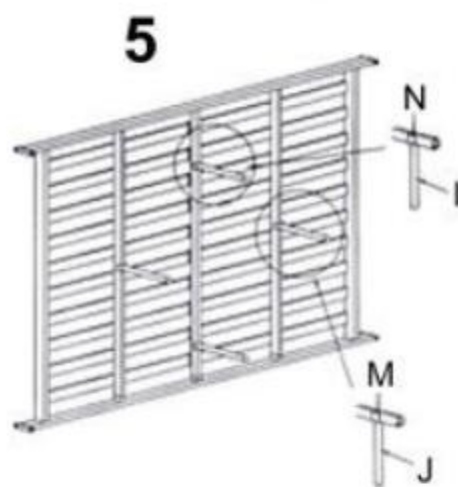
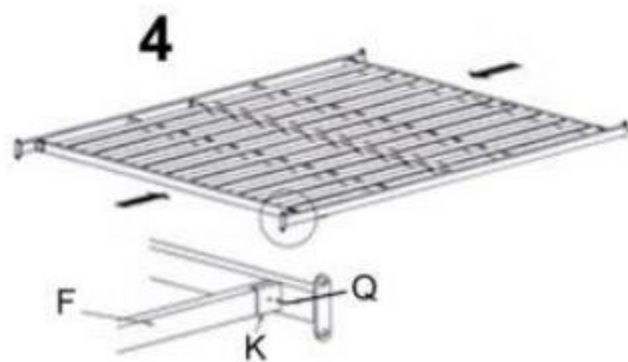
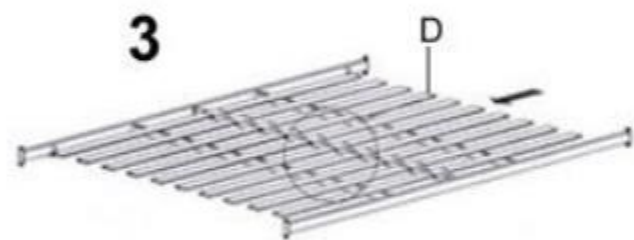
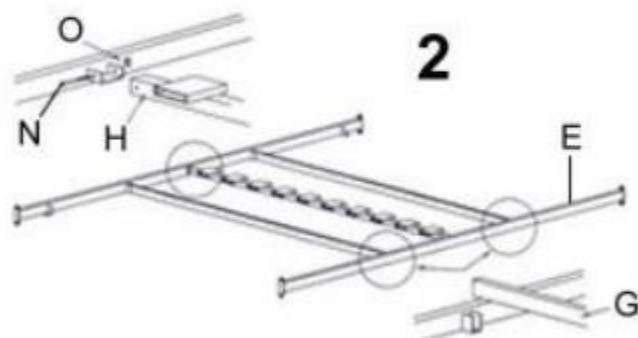
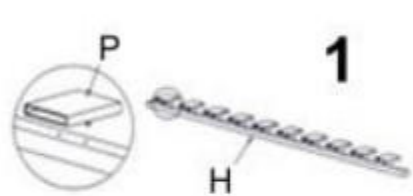


# SUSANNE



A		2	I	/	2
B		1	J	/	2
B <sub>1</sub>		1	K		4
C		1	L		16
C <sub>1</sub>		1	M		2
D		20	N		4
E		2	O		2
F		2	P		10
G		2	Q		4
H		1			