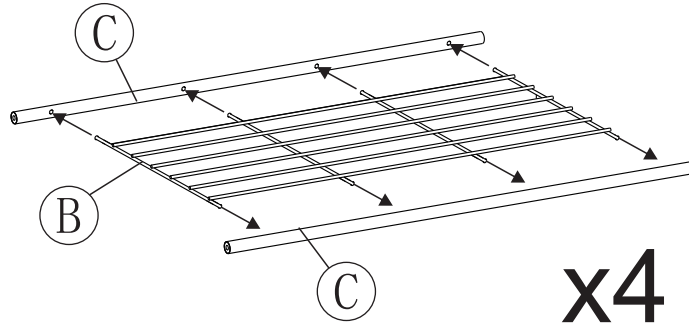
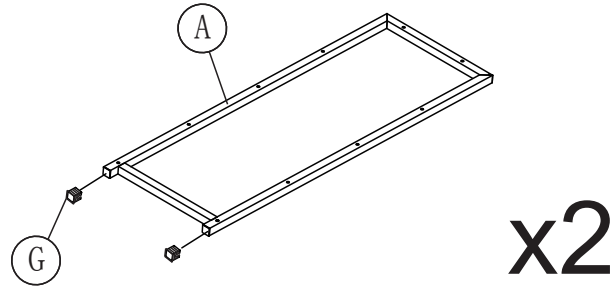


# XJ633083A

NO.	Qty	Sketch
A	2	
B	4	
C	8	
D	1	
E	16	 M6x25
F	4	 6. 3x40
G	4	
H	1	

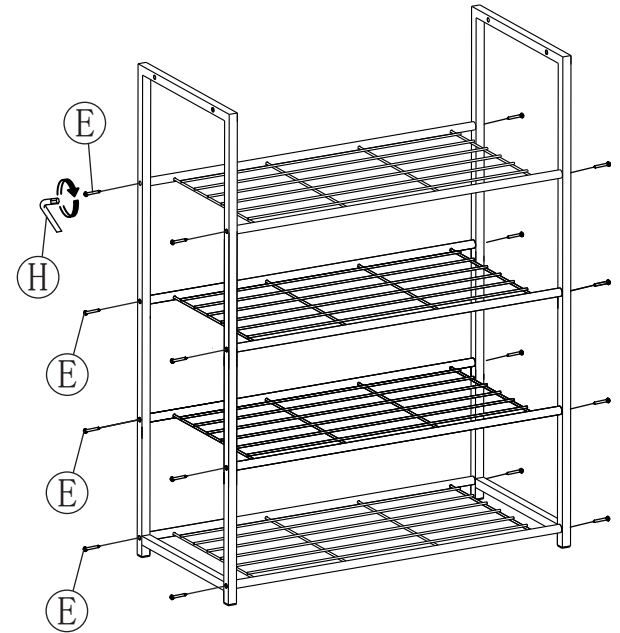
1

Ax2  
Gx4  
Bx4  
Cx8



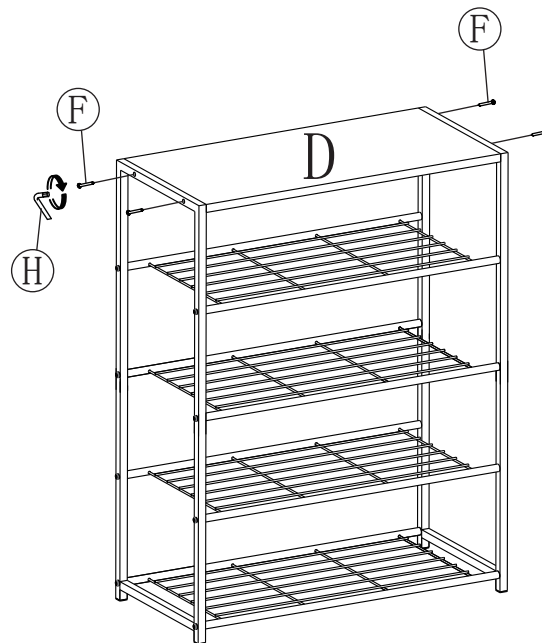
2

Ex16



3

Dx1  
Fx4



4

