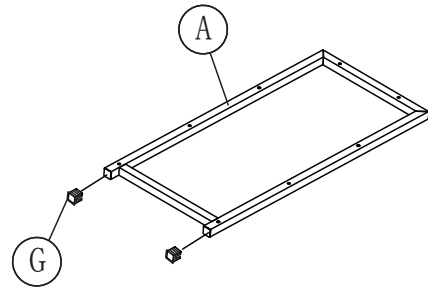


XJ633063A

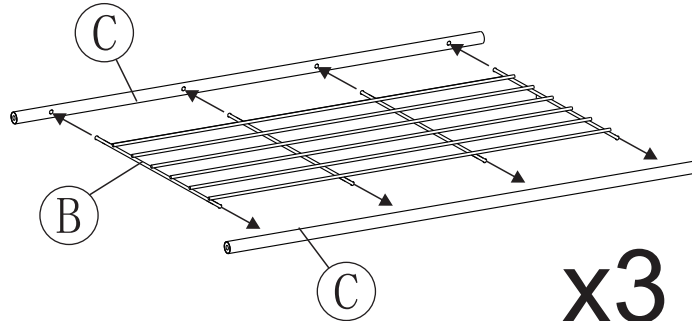
NO.	Qty	Sketch
A	2	
B	3	
C	6	
D	1	
E	12	 M6x25
F	4	 6. 3x40
G	4	
H	1	

1

Ax2
Gx4
Bx3
Cx6



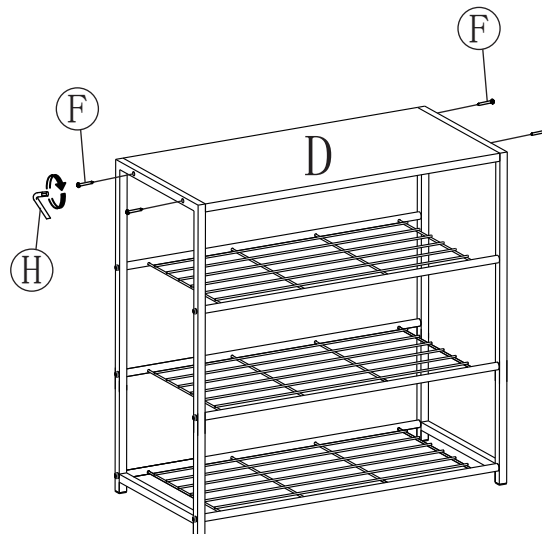
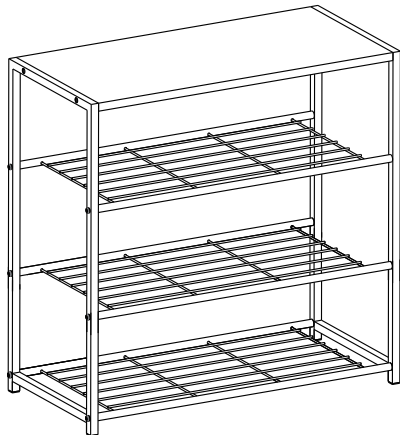
x2



x3

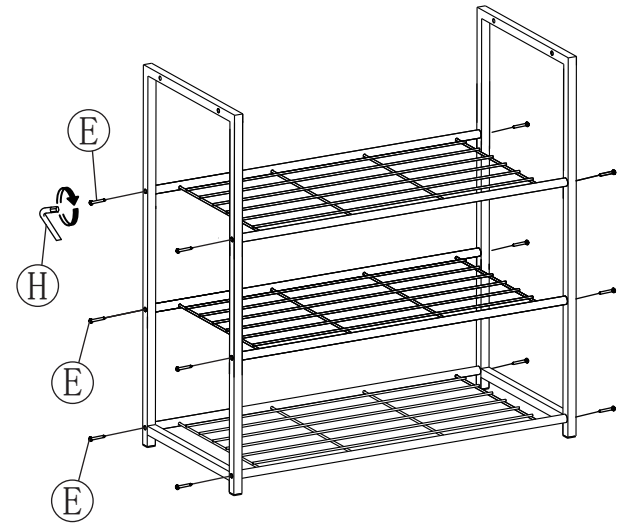
3

Dx1
Fx4



2

Ex12



4

