









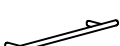




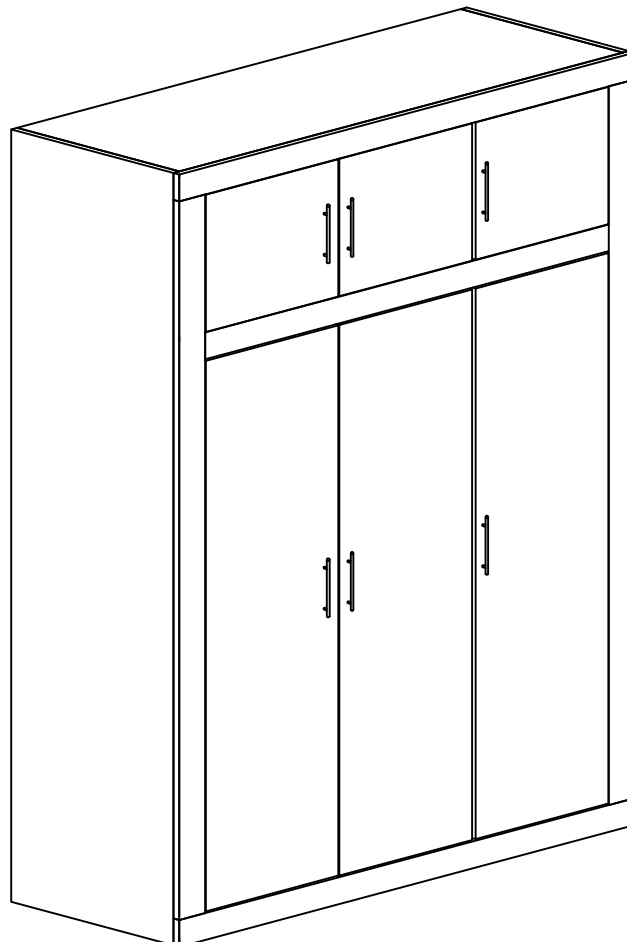
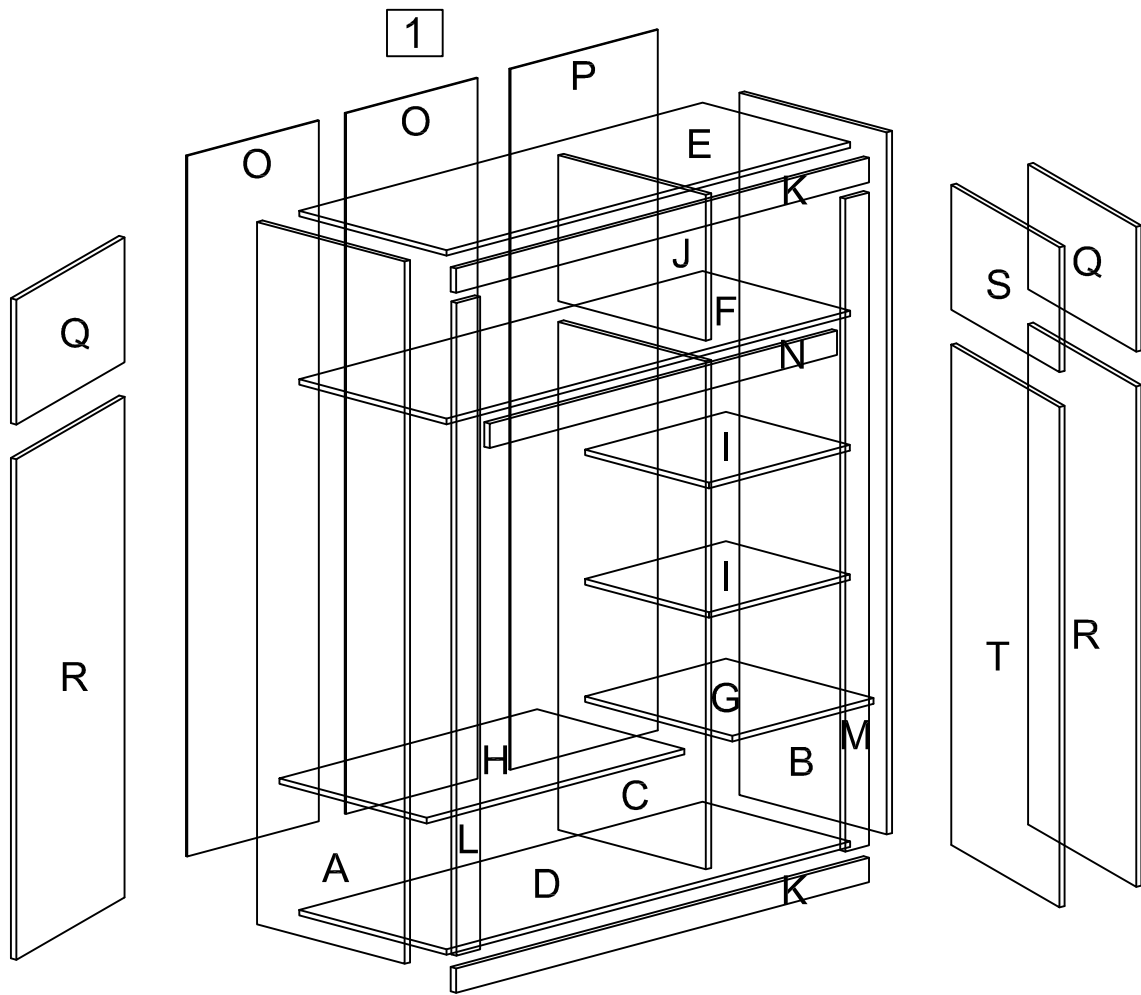


Latino

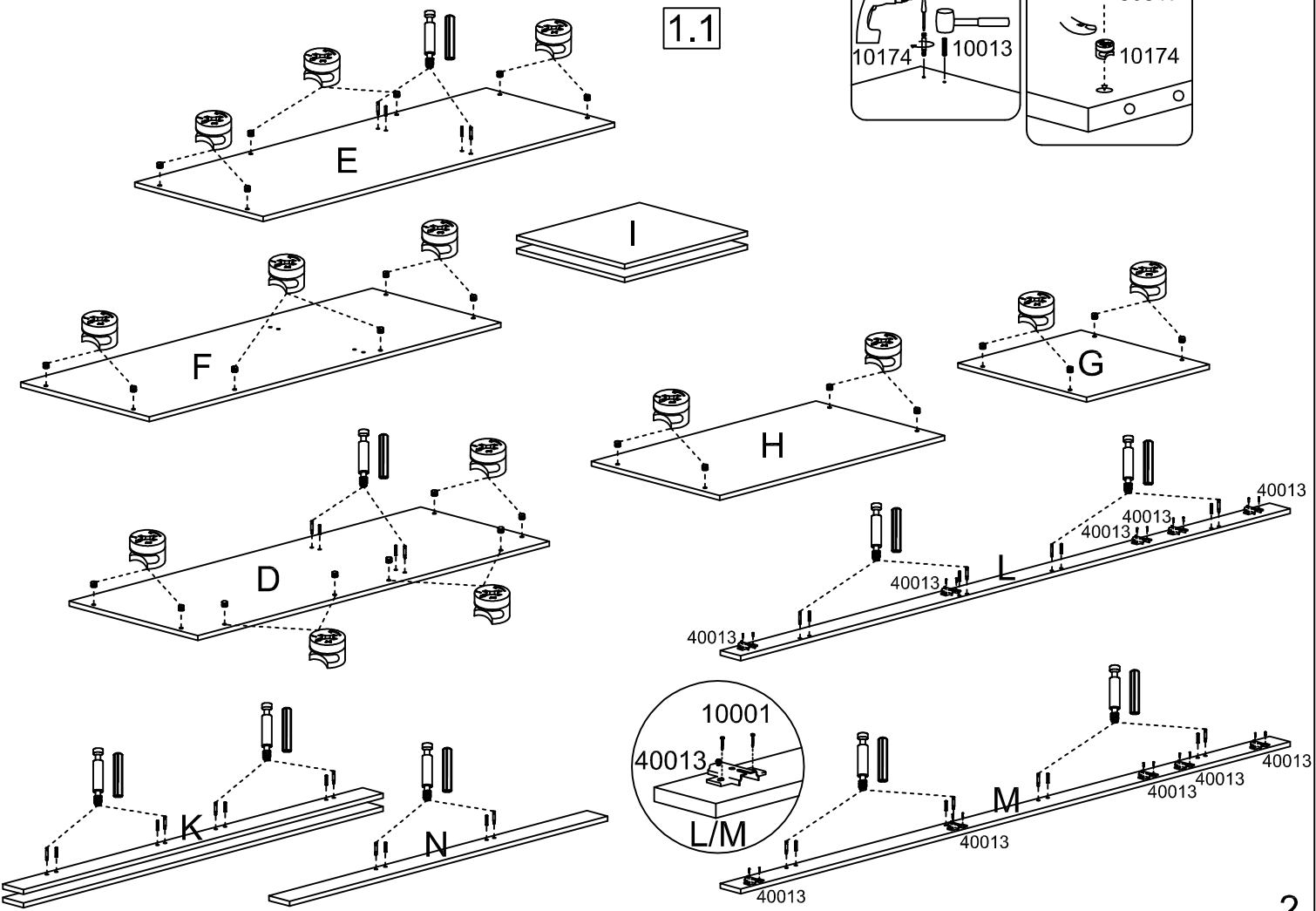
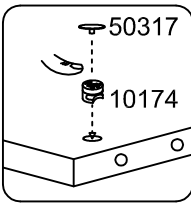
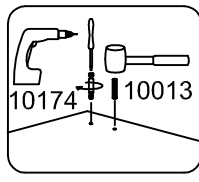
A	2300x500	1/5
B	2300x500	1/5
C	1773x500	2/5
D	1368x500	3/5
E	1368x500	3/5
F	1368x500	3/5
G	478x500	5/5
H	874x500	2/5
I	2x 478x420	2/5
J	478x500	5/5
K	2x 1400x80	1/5
L	2138x80	1/5
M	2138x80	1/5
N	1238x80	1/5
O	2x 2295x446	1/5
P	2295x500	1/5
Q	2x 409x409	5/5
R	2x 1639x409	4/5
S	409x409	5/5
T	1639x409	4/5

38x  10174	4x  10072	42x  Ø 8/30 10013	46x  50317	10x  40013	5x  40161	6x  50966	8x  50332
2x  50011	6x  50738	6x  20278	6x  50273	12x  M 4/18 10186	103x  Ø 3,5/16 10001	 10033	

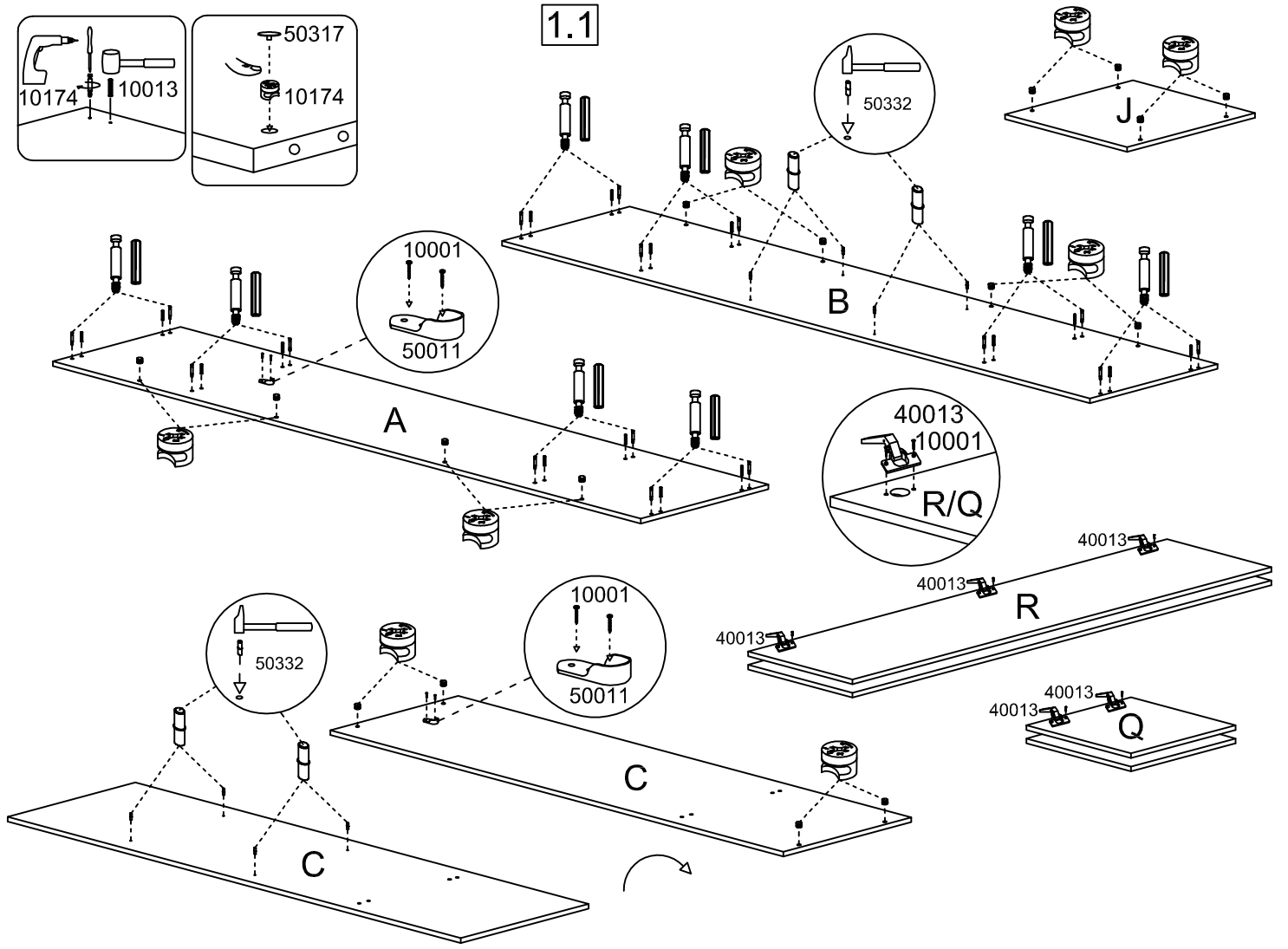




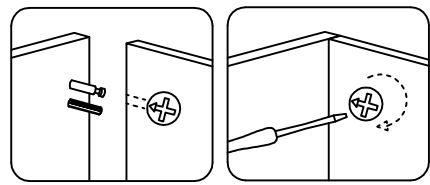
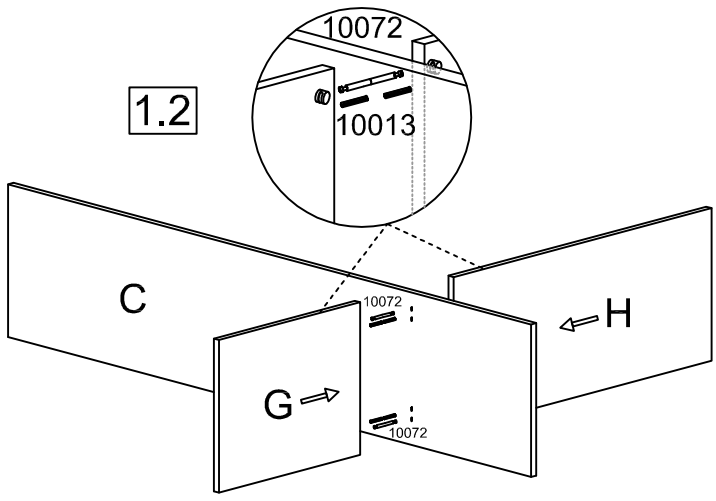
1.1



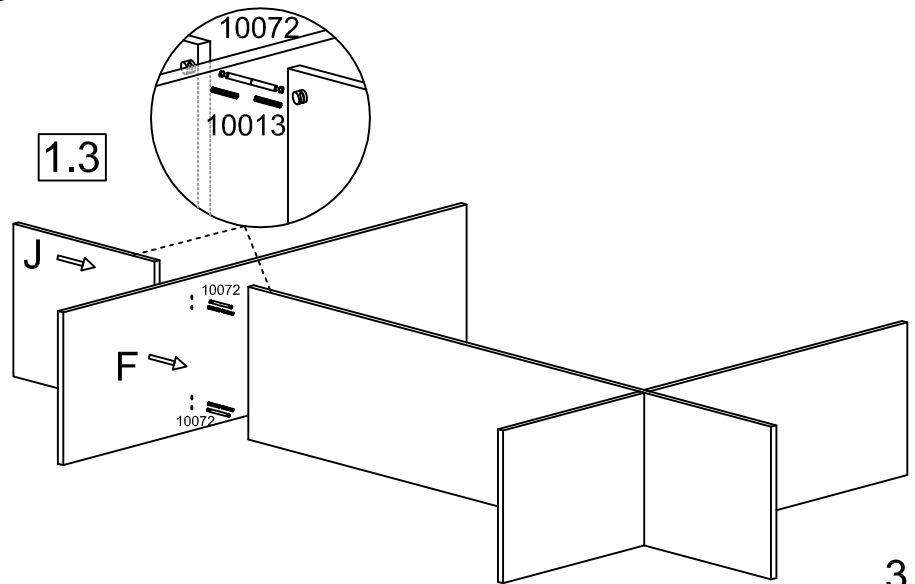
1.1



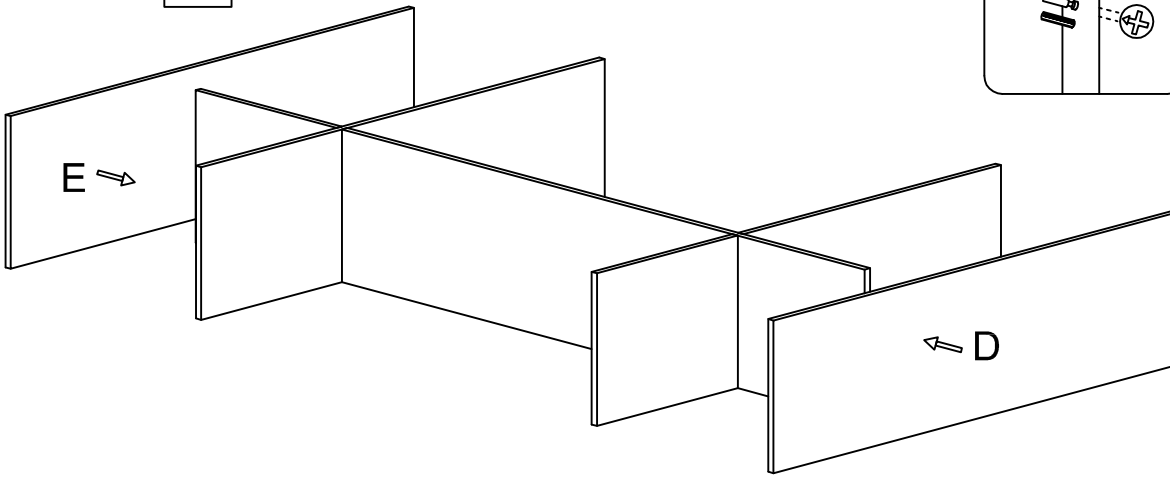
1.2



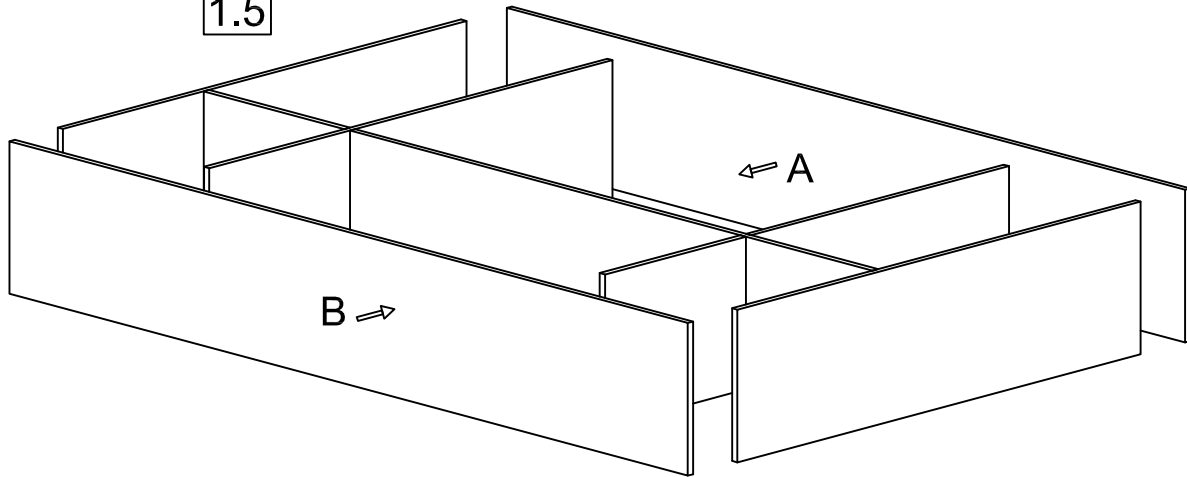
1.3



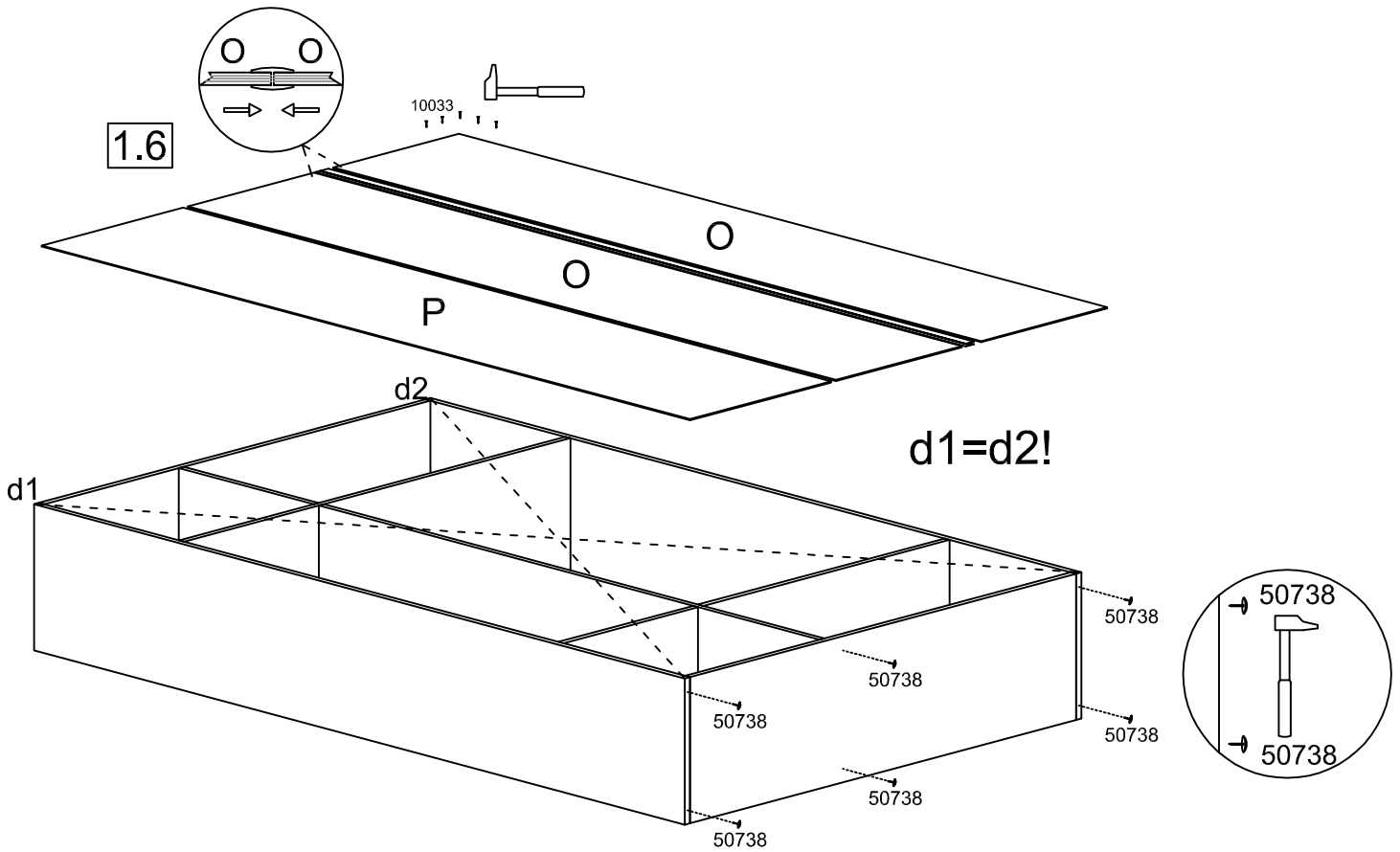
1.4



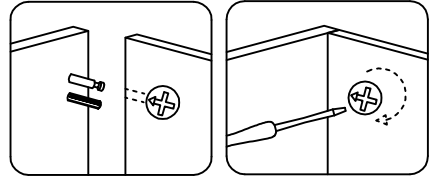
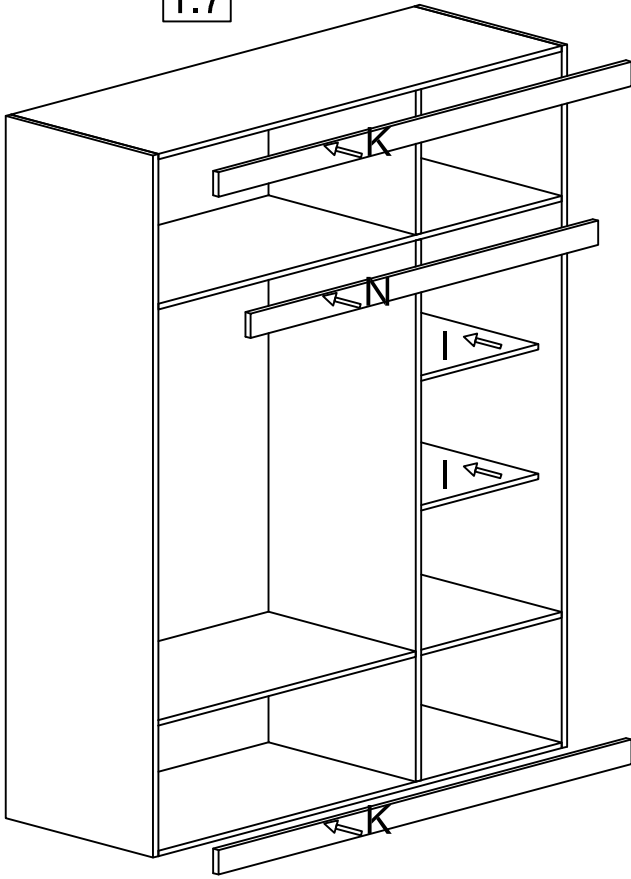
1.5



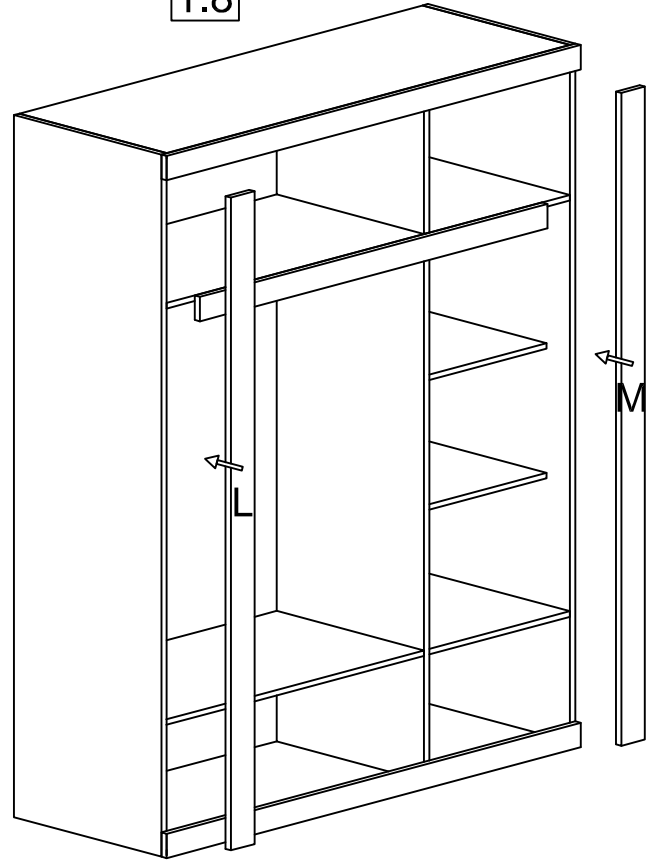
1.6



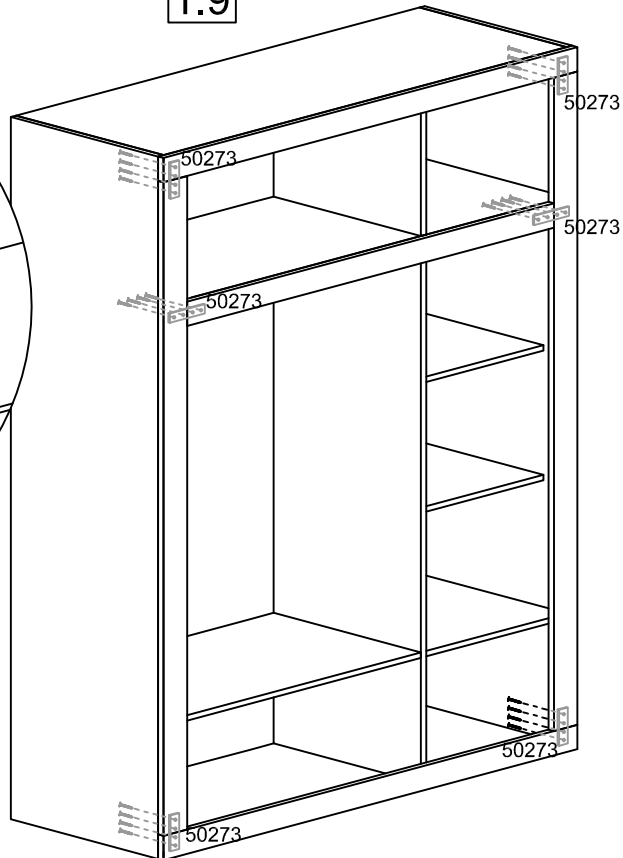
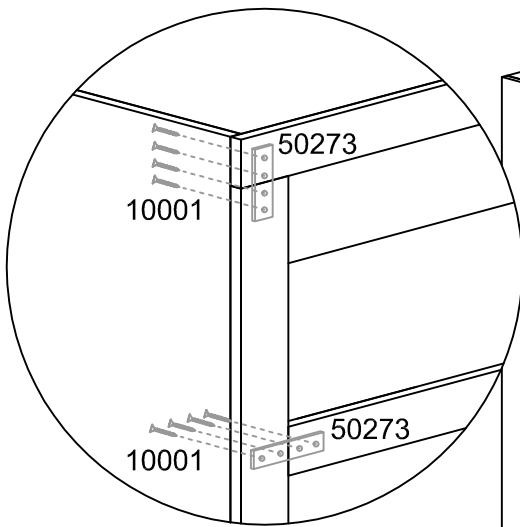
1.7



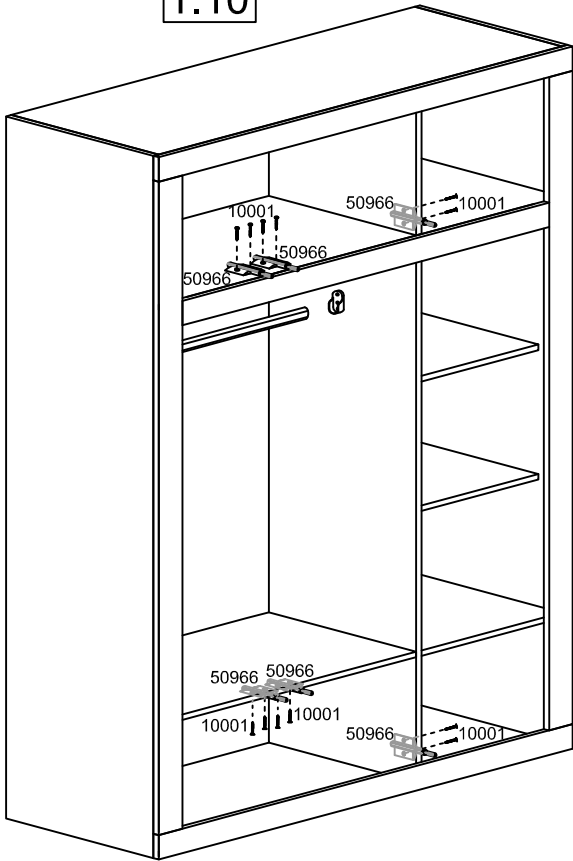
1.8



1.9



1.10



1.11

