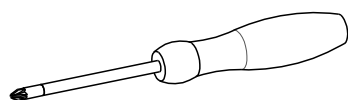
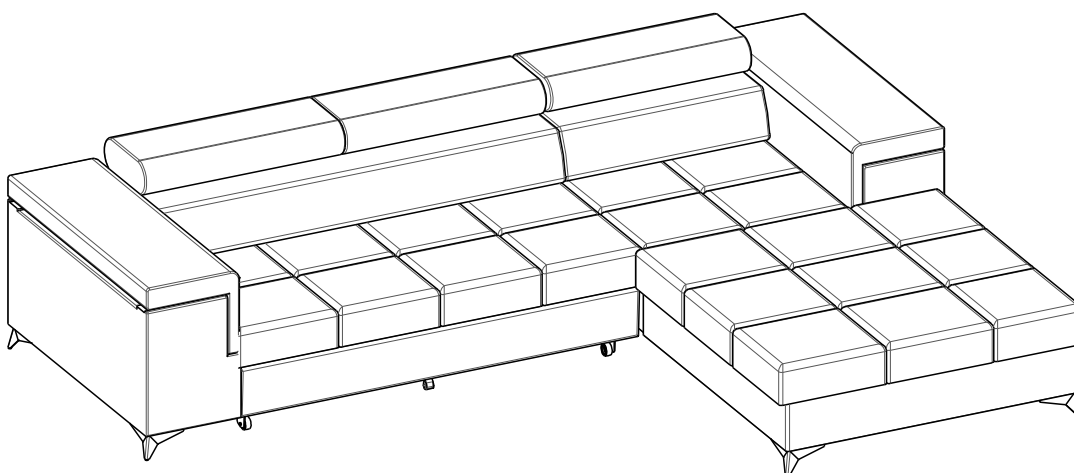
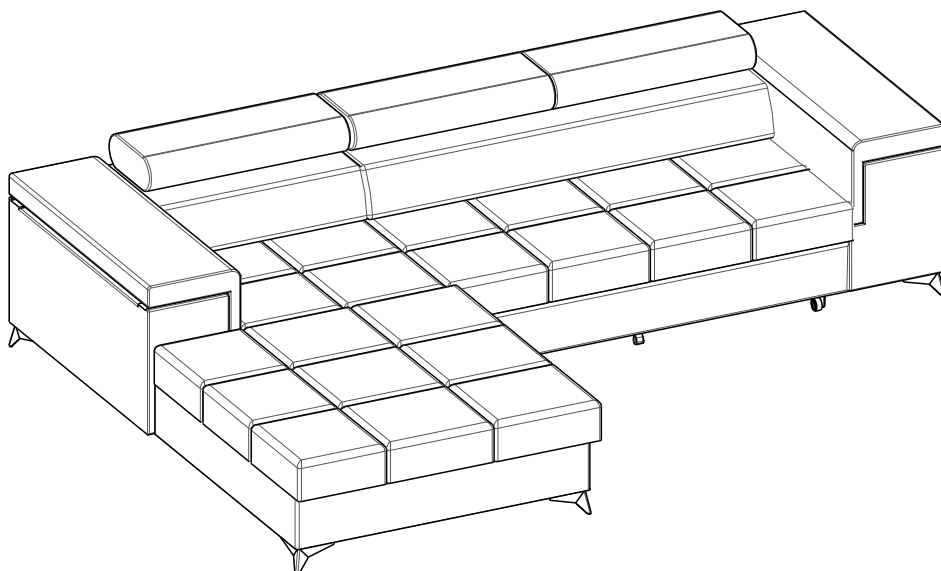
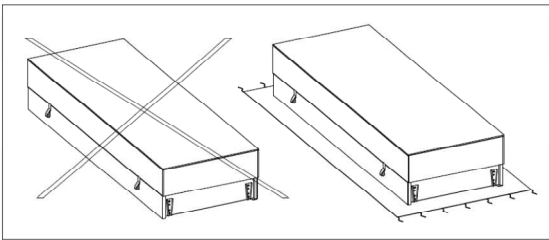


RICARDO



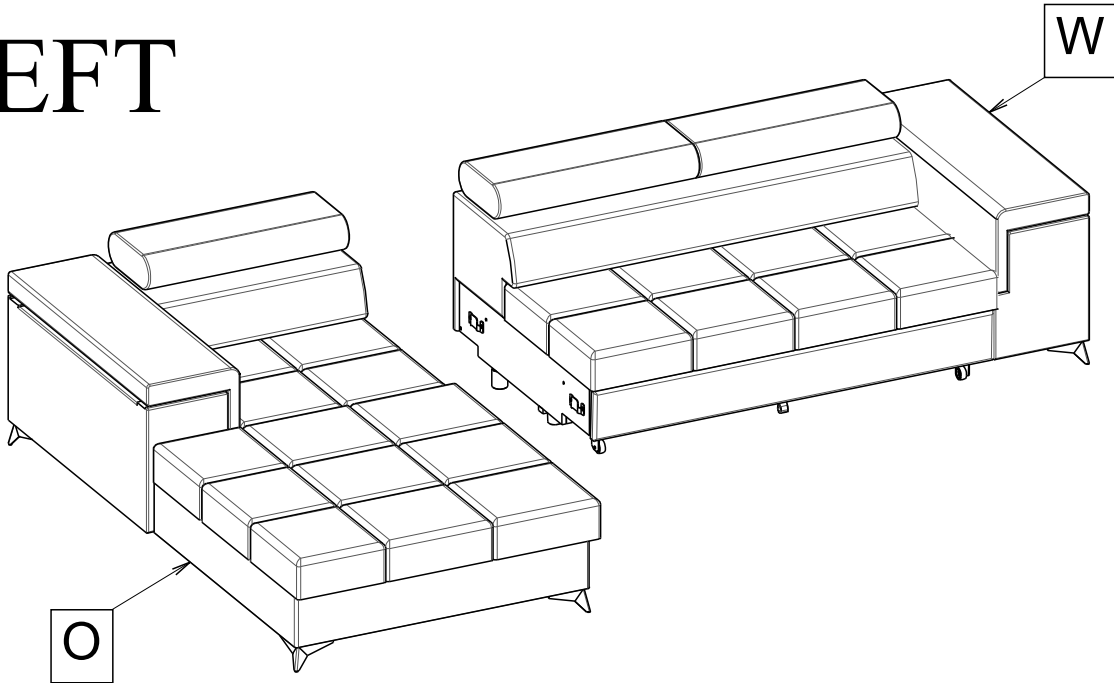
25min

1/8

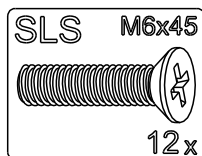
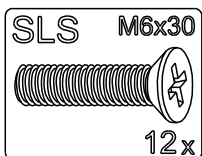
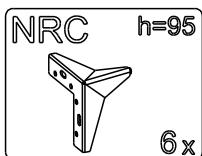
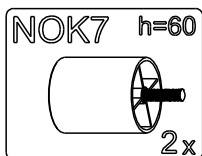
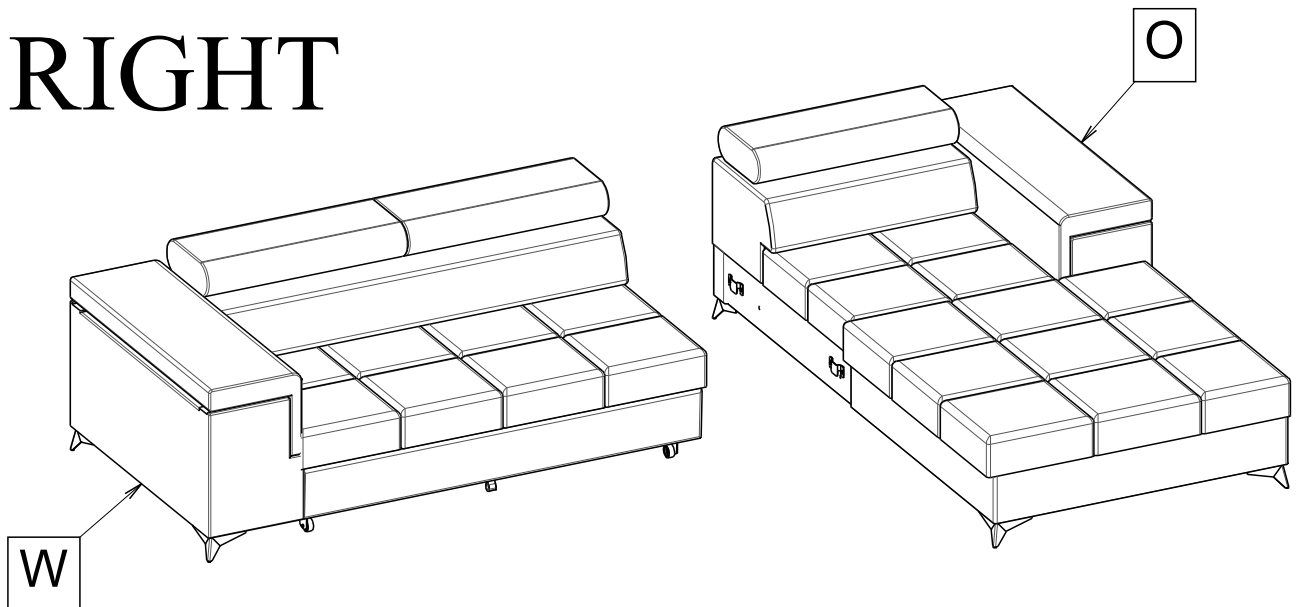


O	1x
W	1x

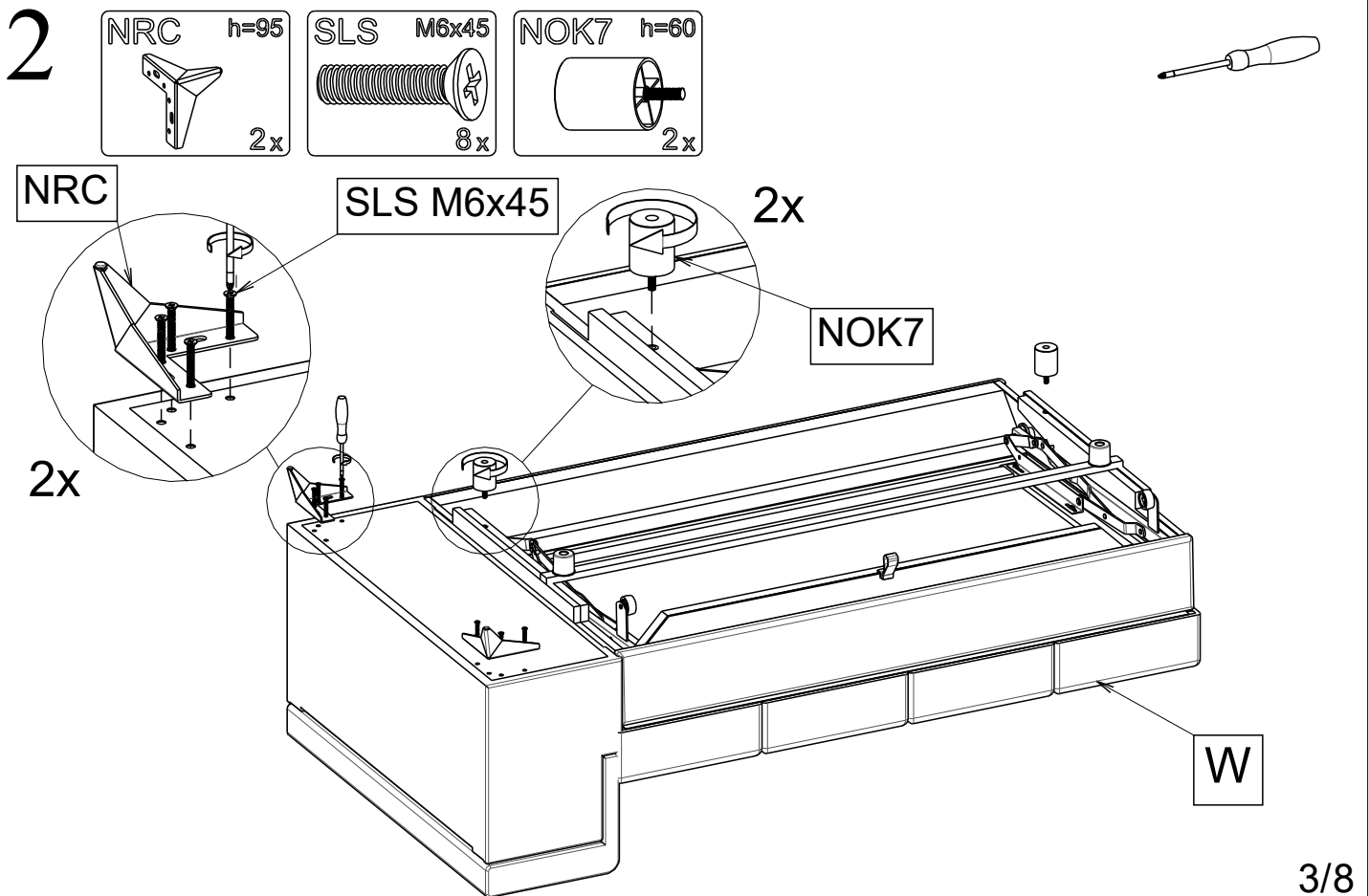
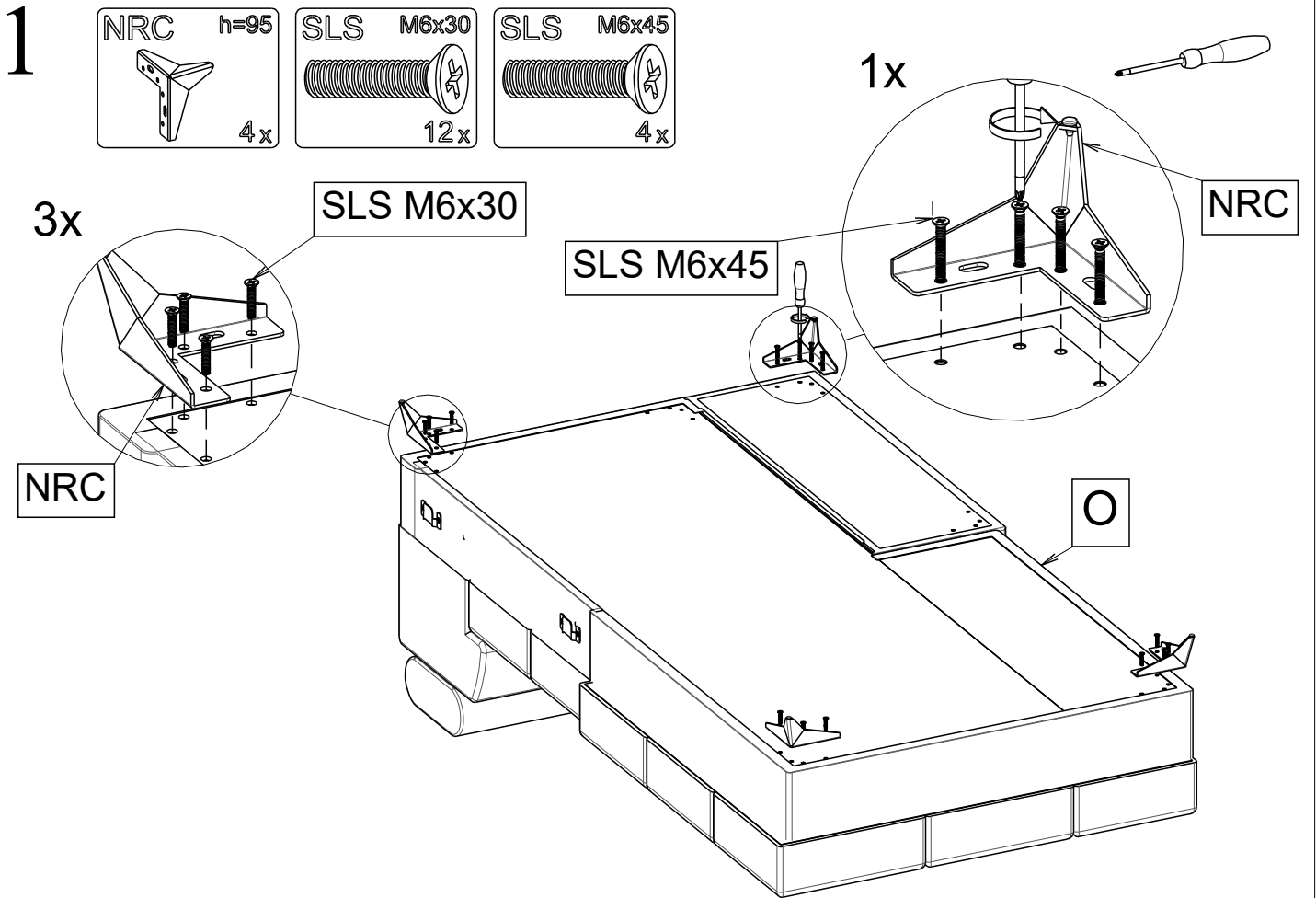
LEFT



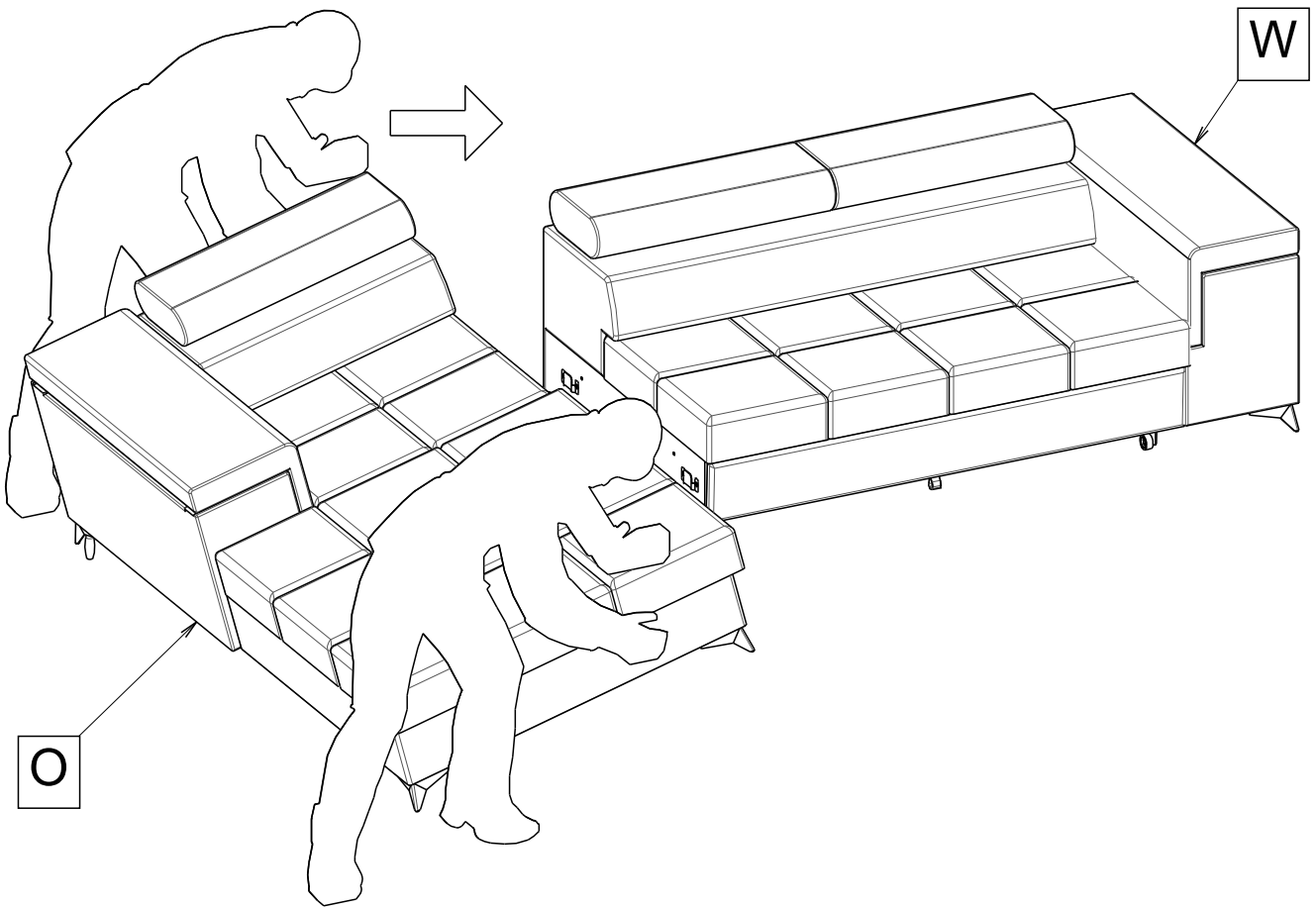
RIGHT



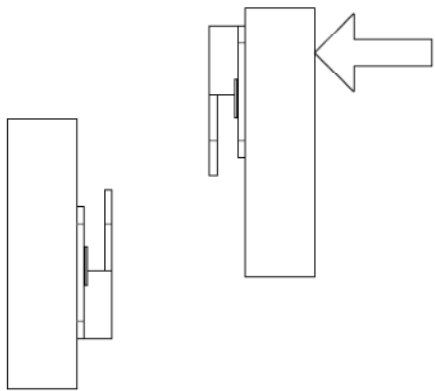
LEFT



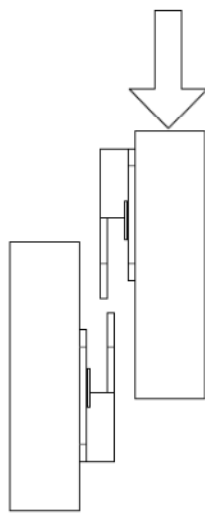
3



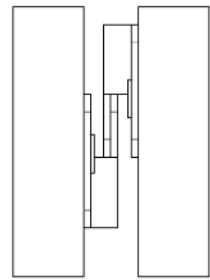
1)



2)

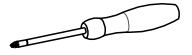
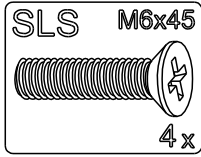
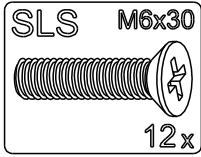
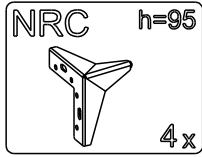


3)



RIGHT

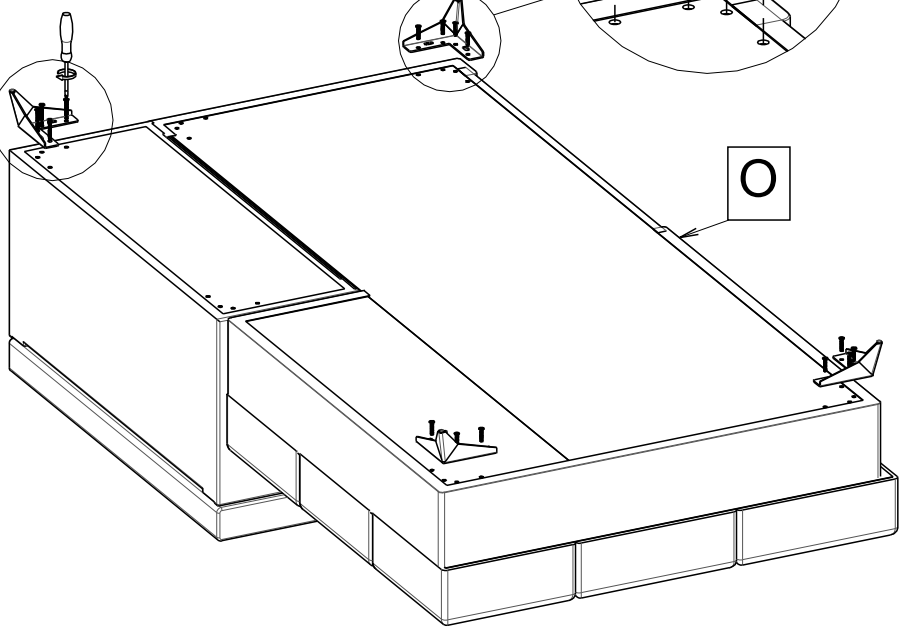
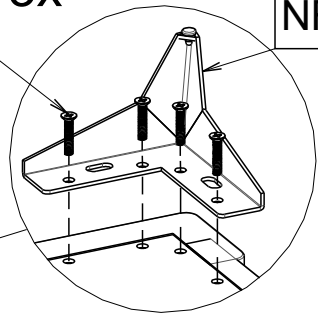
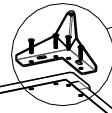
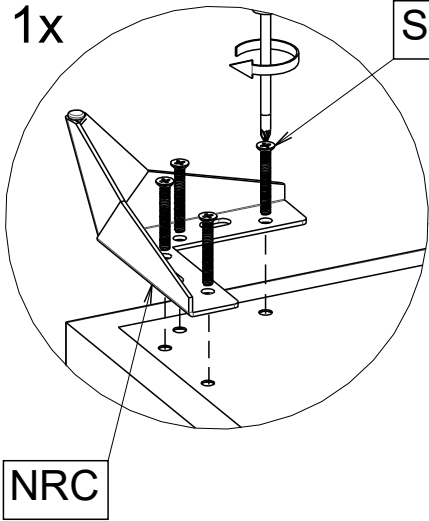
1



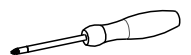
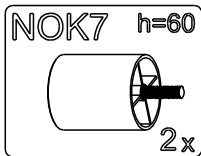
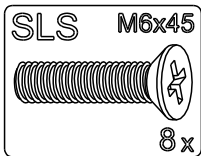
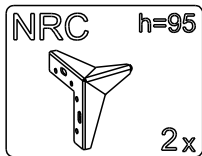
SLS M6x30 3x NRC

1x

SLS M6x45



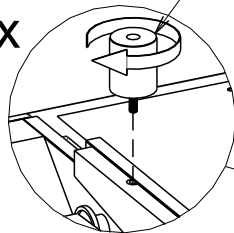
2



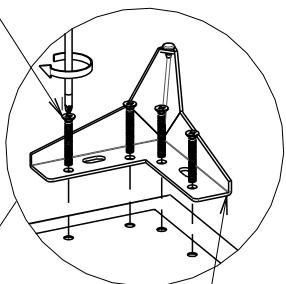
SLS M6x45

NOK7

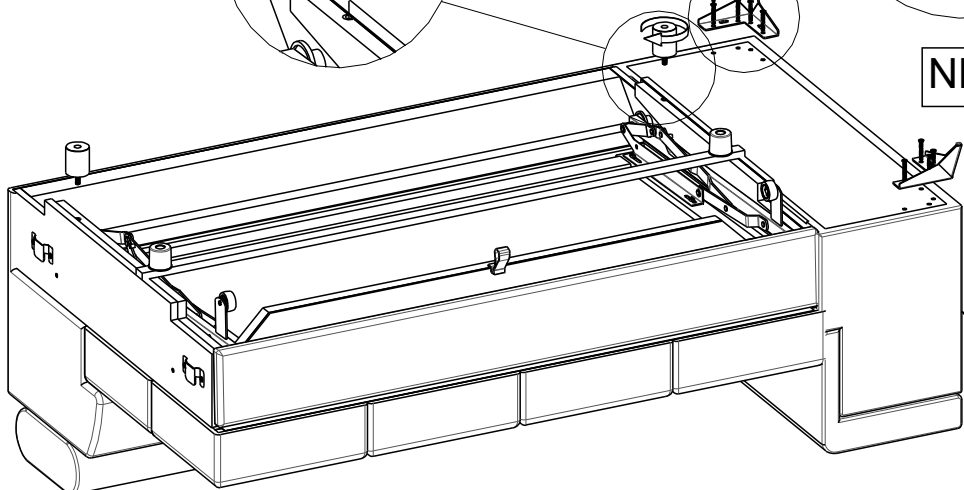
2x



2x

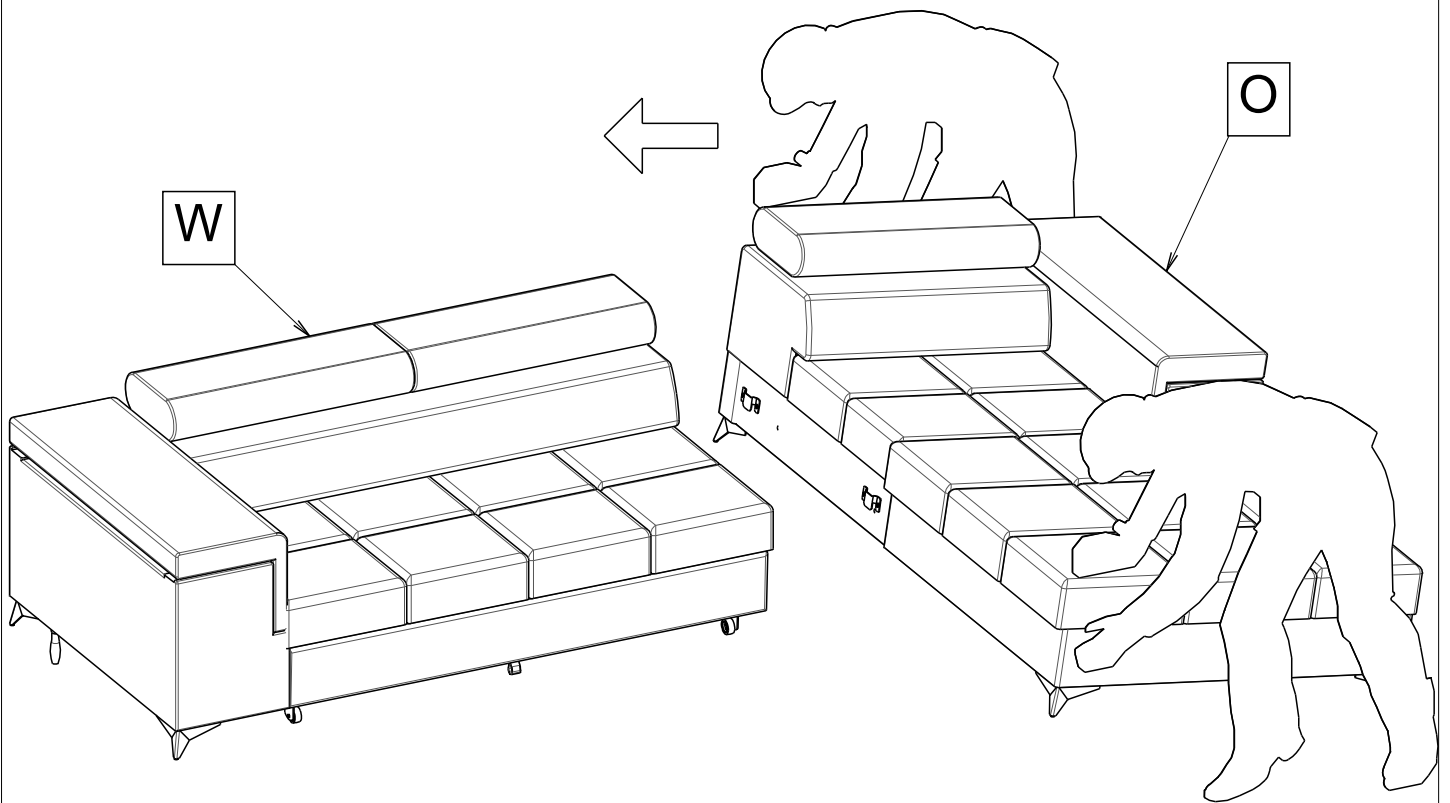


NRC

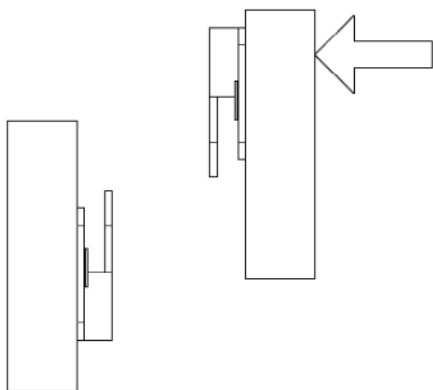


W

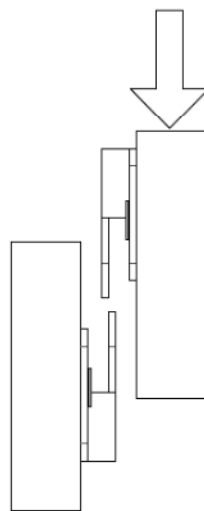
3



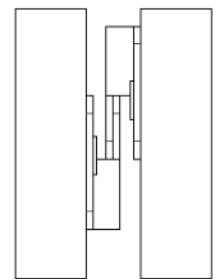
1)



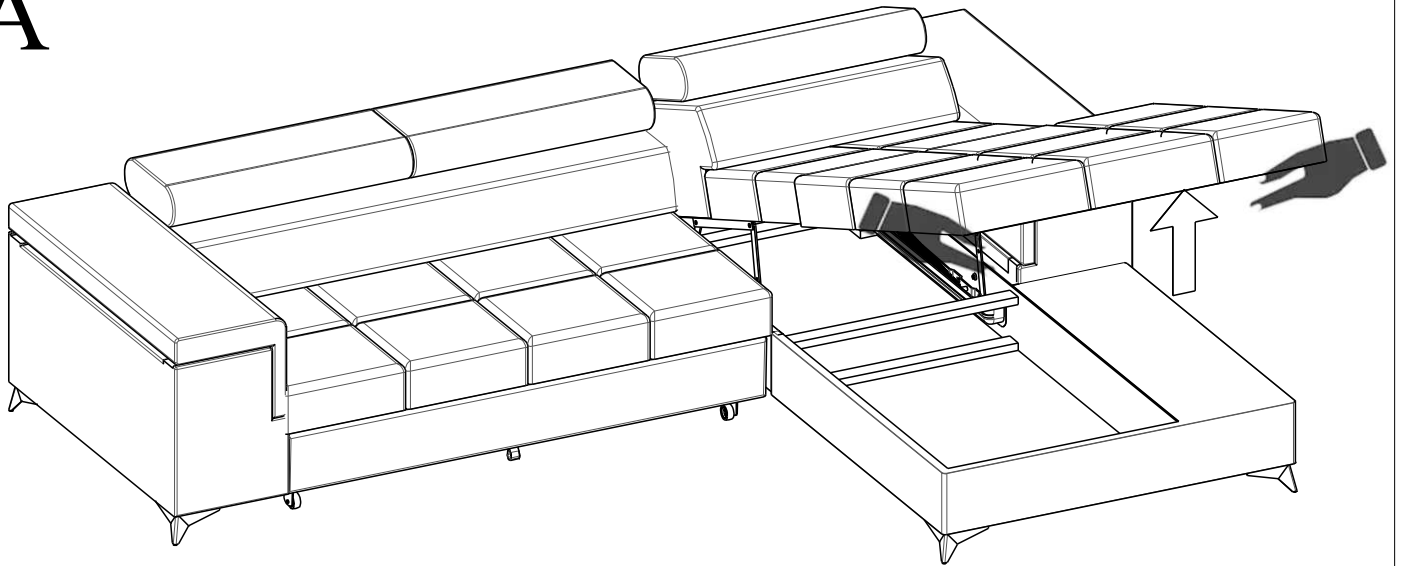
2)



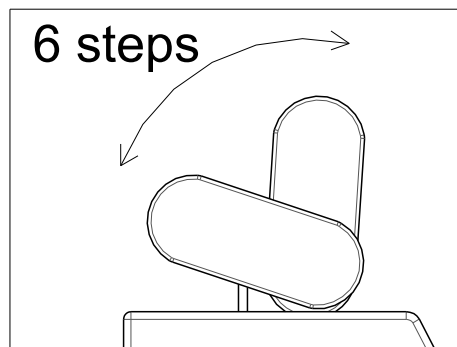
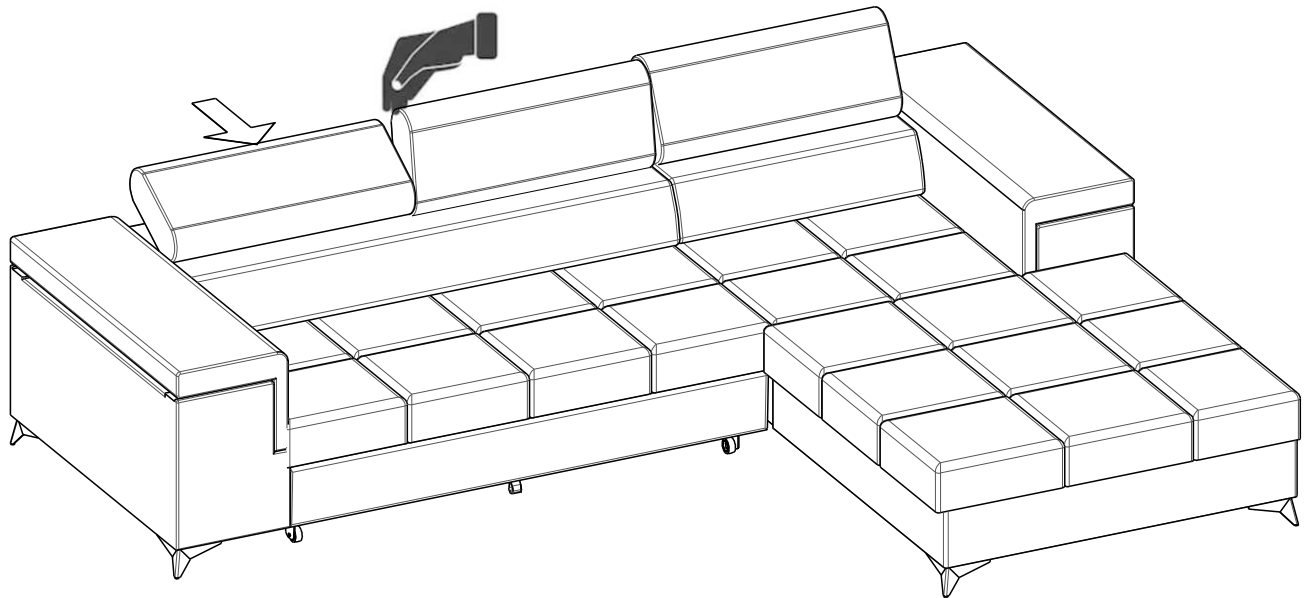
3)



A

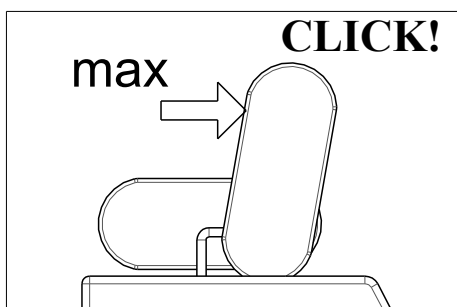


B

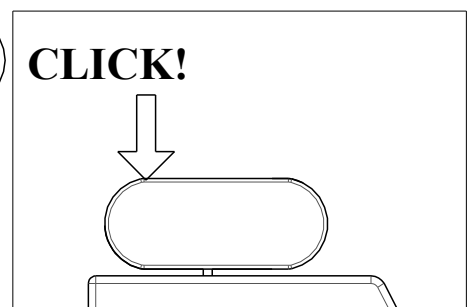


CLOSING

1



2



C

