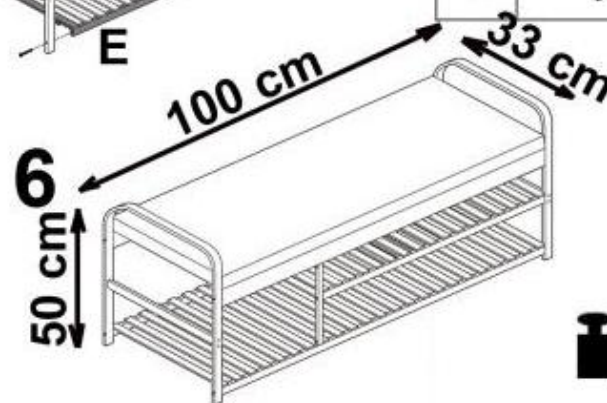
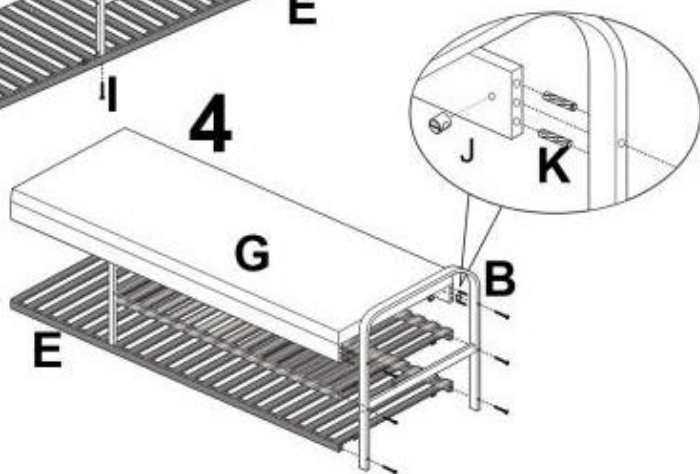
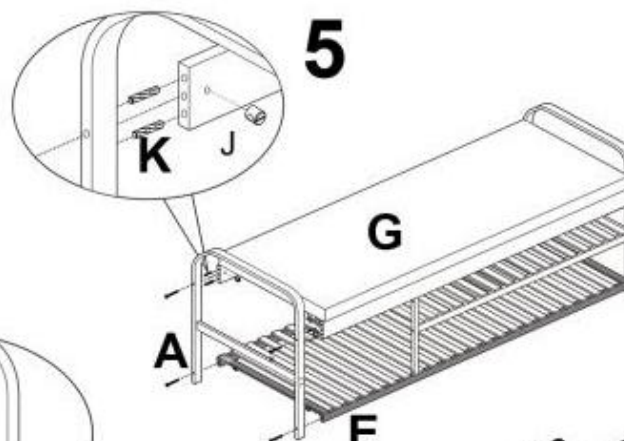
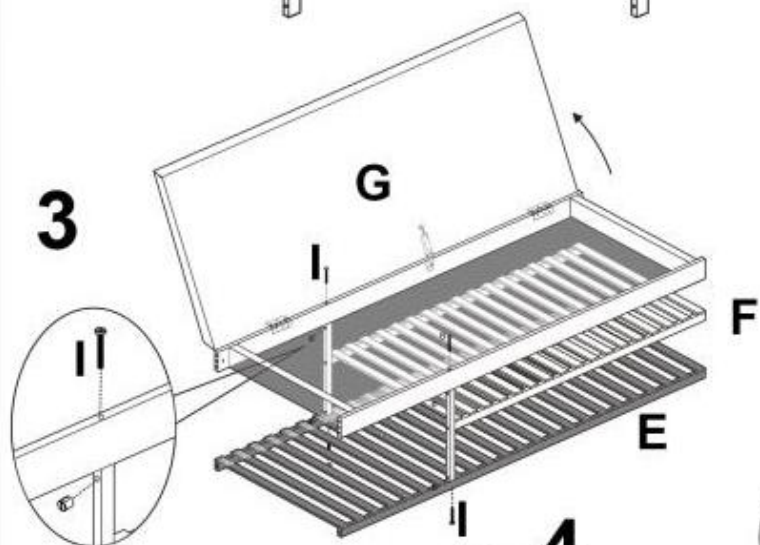
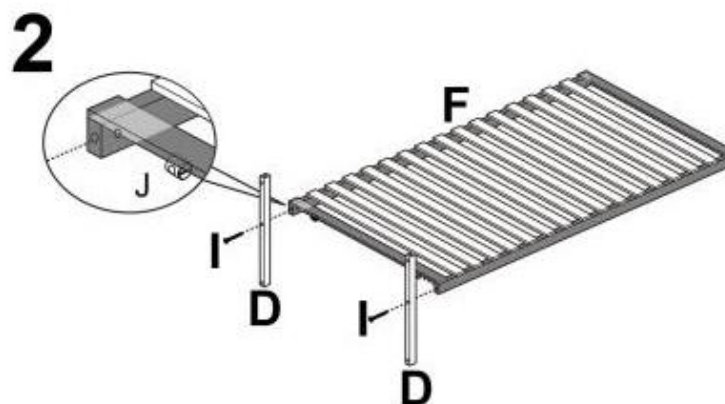
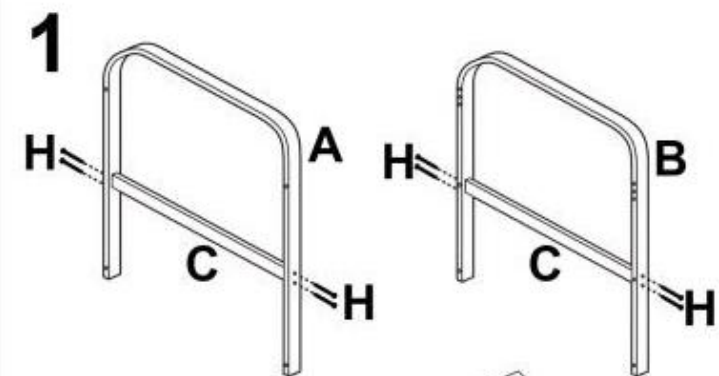


ST-13



A		1
B		1
C		2
D		2
E		1
F		1
G		1
H		8
I		16
J		16
K		8

max. 60 kg

v.2