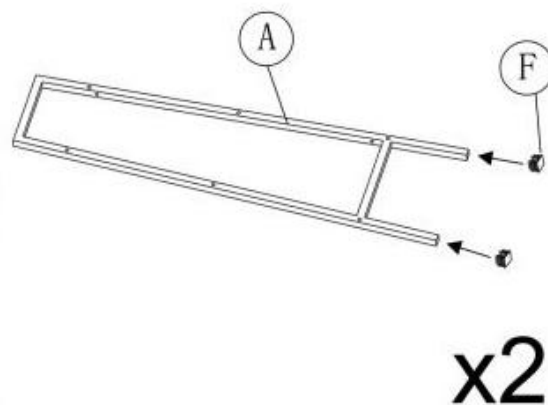


NARVIK REG-3

NO.	Qty	Sketch
A	2	
B	1	
C	1	
D	1	
E	1	
F	4	
G	4	
H	12	
I	4	
J	1	
K	1	
L	1	
M	1	
N	1	
O	1	

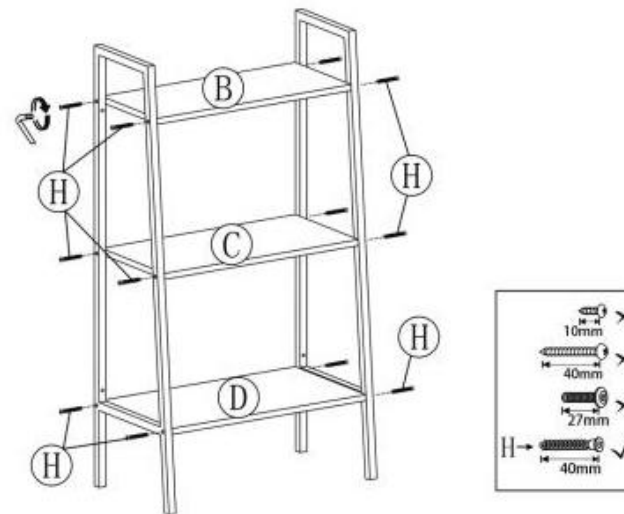
1

Ax2
Fx4



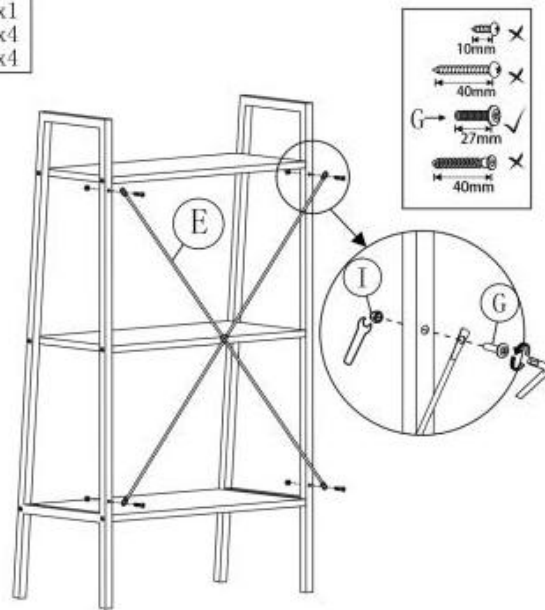
2

Bx1
Cx1
Dx1
Hx12



3

Ex1
Gx4
Ix4



4

Jx1
Kx1
Lx1
Mx1

