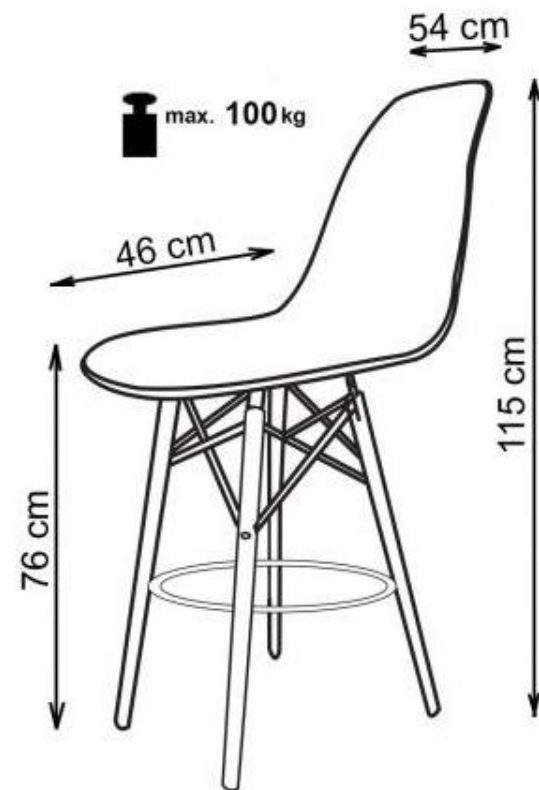
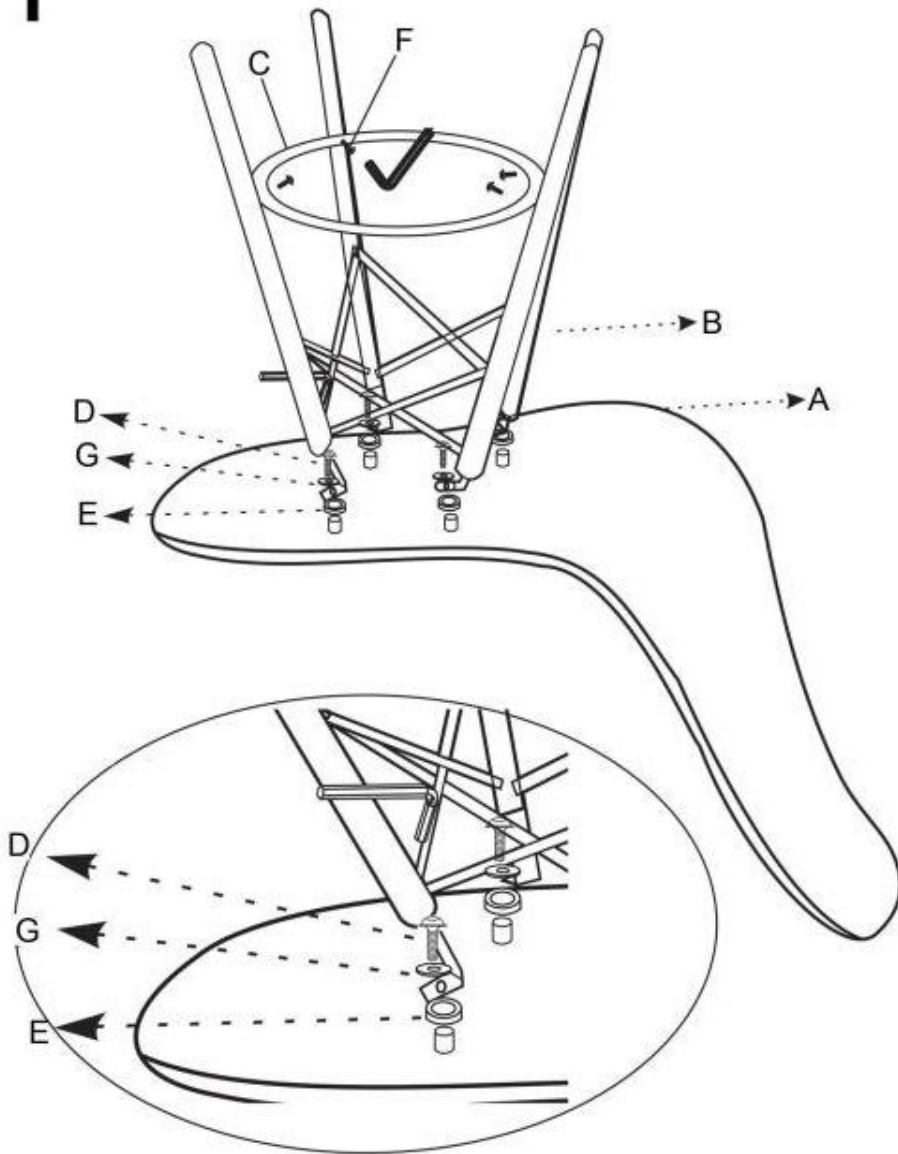


H-51

1



A		1
B		1
C	1	
D		4
E		4
F		4
G		4