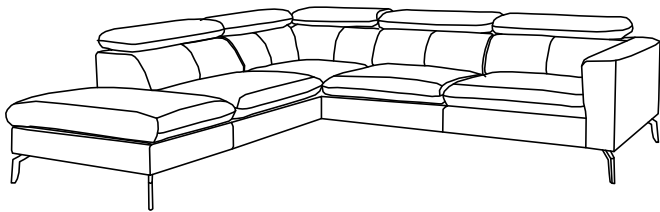
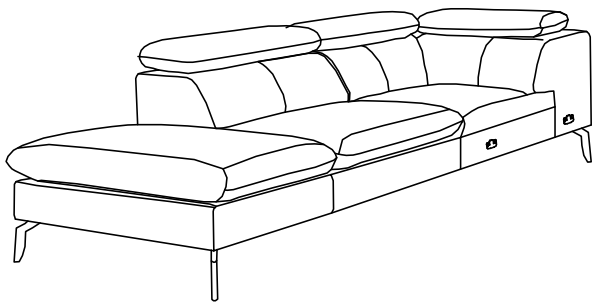
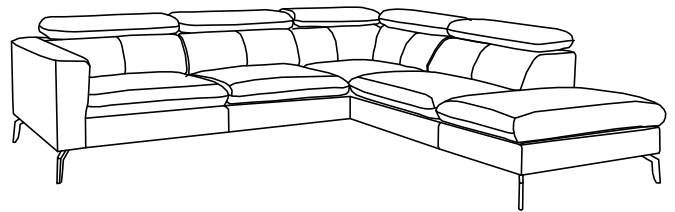


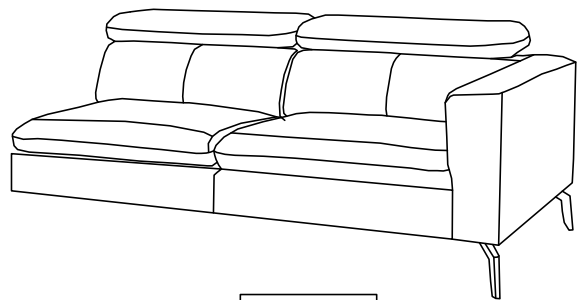
VERSION - L





VERSION - R

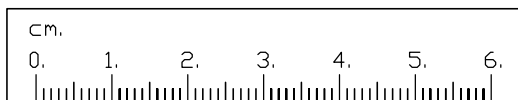


OL



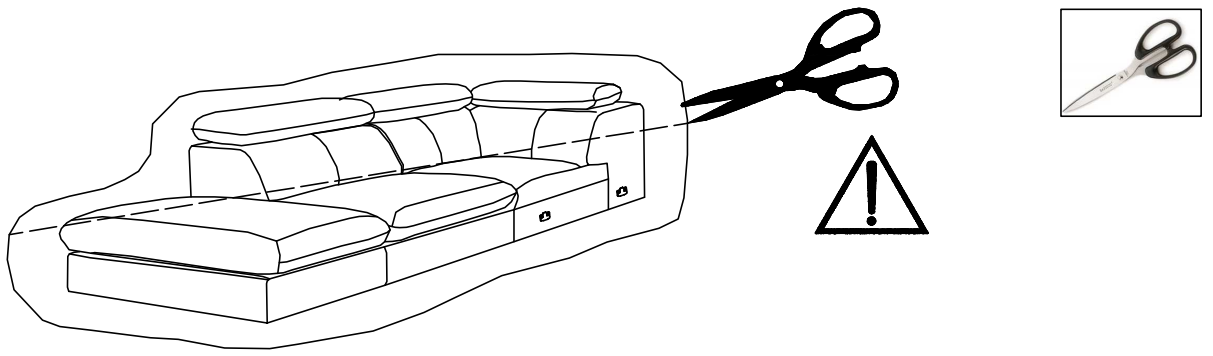
3 BP

	M6.0x40mm	
A	B	C
6	24	3



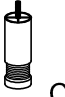


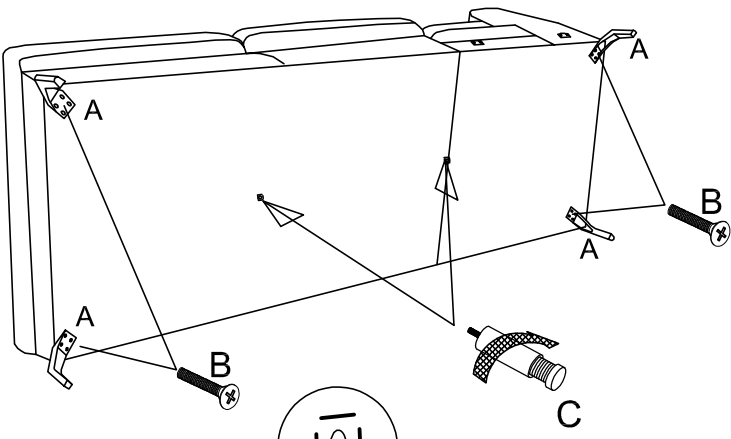
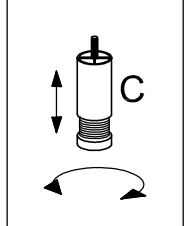
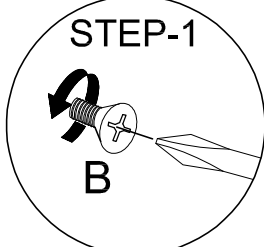
1

OL

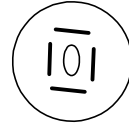
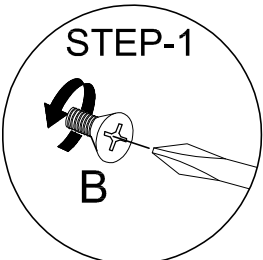
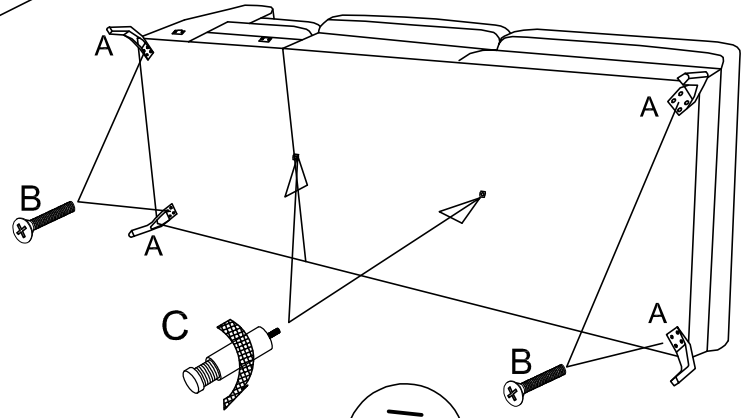
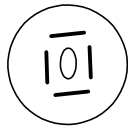


2

	M6.0x40mm		
A		B	C
4		16	2

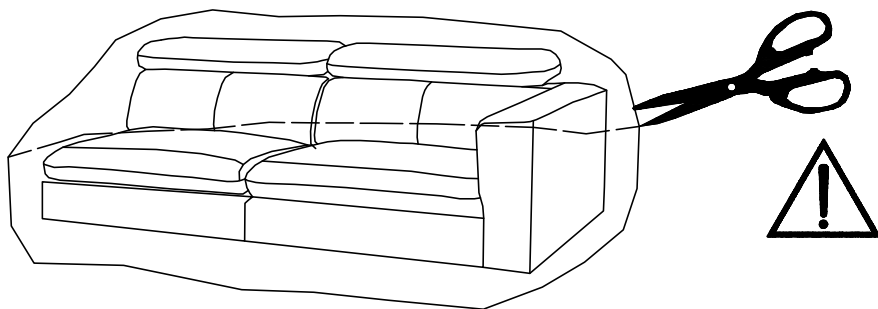


OL





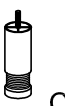
OP

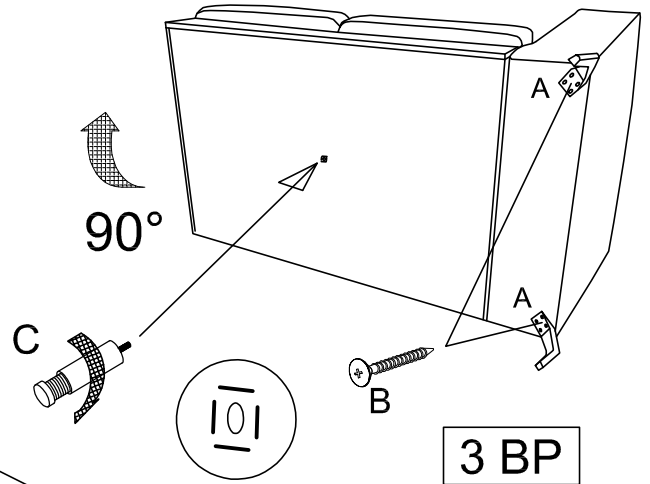
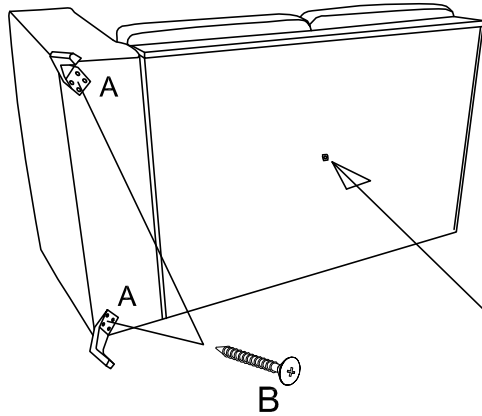
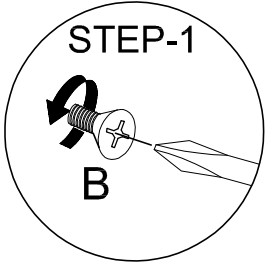
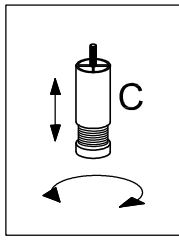
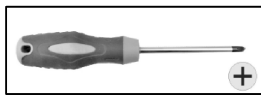
3



3 BP

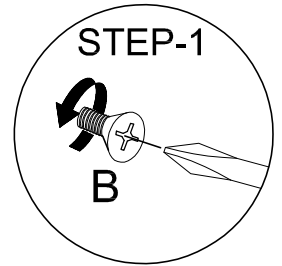
4

	M6.0x40mm		
A		B	C
2		8	1

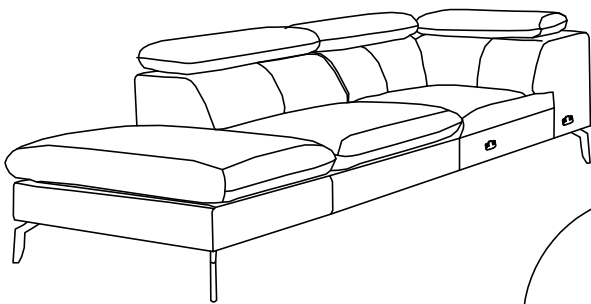


3 BL

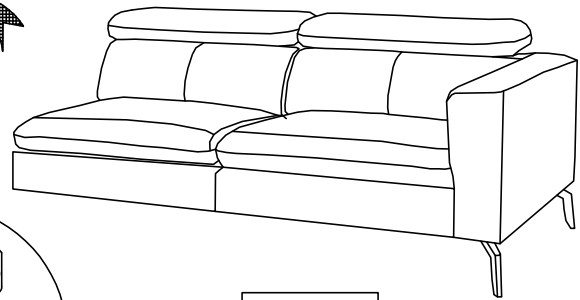
3 BP



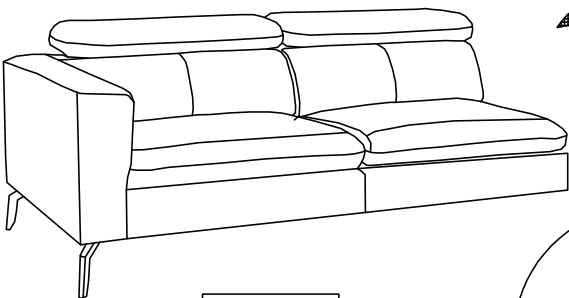
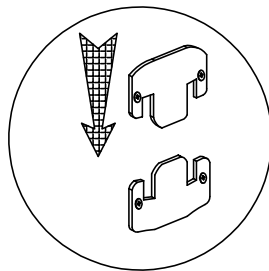
5



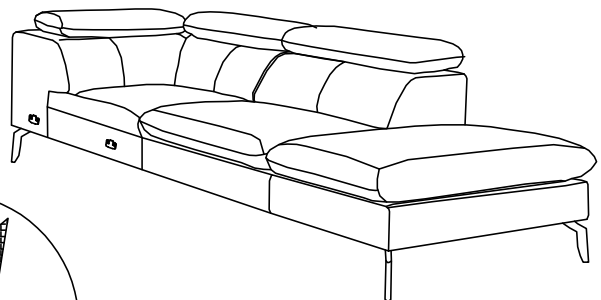
OL



3 BP



3 BL



OP

